



US00D849540S

(12) **United States Design Patent** (10) **Patent No.:** **US D849,540 S**
Robinson et al. (45) **Date of Patent:** **** May 28, 2019**

(54) **BOTTLE FOR A FRAGRANCE DISPENSER**

(71) Applicant: **Rimports Inc.**, Provo, UT (US)

(72) Inventors: **Joe Robinson**, Lehi, UT (US); **Alan K. Farrell**, Salt Lake City, UT (US)

(73) Assignee: **Rimports, LLC**, Provo, UT (US)

(**) Term: **15 Years**

(21) Appl. No.: **29/592,630**

(22) Filed: **Jan. 31, 2017**

(51) **LOC (11) Cl.** **09-01**

(52) **U.S. Cl.**
USPC **D9/500**

(58) **Field of Classification Search**
USPC D9/500, 503–504, 516, 549, 558, 682,
D9/688–692, 715, 719; D4/116
CPC B65D 1/00; B65D 1/02; B65D 1/0223;
B65D 23/00; B65D 51/32; B65D
2501/00; B65D 2501/0009

See application file for complete search history.

(56) **References Cited**

U.S. PATENT DOCUMENTS

D198,054 S *	4/1964	Lowry	D9/504
3,254,844 A *	6/1966	Blasnik	A01C 23/042 239/310
D210,867 S *	4/1968	Kuroda	D9/503
D230,953 S *	3/1974	Edwards	D9/500
D330,859 S *	11/1992	Schaeffer	D9/503
D355,601 S *	2/1995	Buettner	D9/503
D357,628 S *	4/1995	Vasas	D9/503
D399,658 S *	10/1998	Nosella	D4/116
D400,442 S *	11/1998	Nosella	D9/500
D484,414 S *	12/2003	Kerr	D9/500

D506,136 S *	6/2005	Wilde	D9/503
D538,177 S *	3/2007	Dretzka	D6/542
D543,846 S *	6/2007	Kitamura	D9/500
D581,287 S *	11/2008	Tran	D9/556
D611,344 S *	3/2010	Longacre	D9/500
D631,355 S *	1/2011	Barsoumian	D9/500
D646,973 S *	10/2011	Flanagan-Kent	D9/500
D802,422 S *	11/2017	Laib	D9/500
D816,203 S *	4/2018	Valentino	D23/366

* cited by examiner

Primary Examiner — Dana Meyrow

(74) *Attorney, Agent, or Firm* — Durham Jones & Pinegar, P.C., Intellectual Property Law Group

(57) **CLAIM**

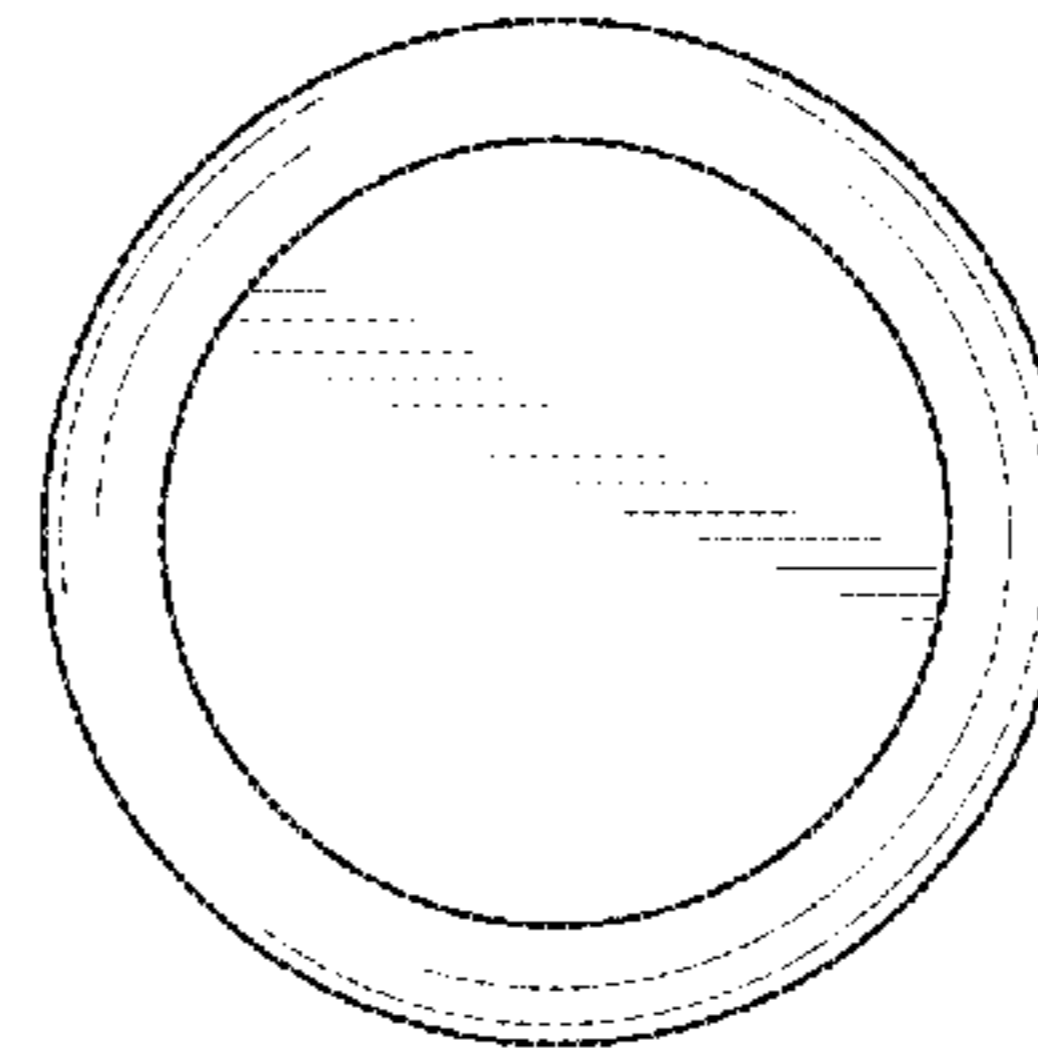
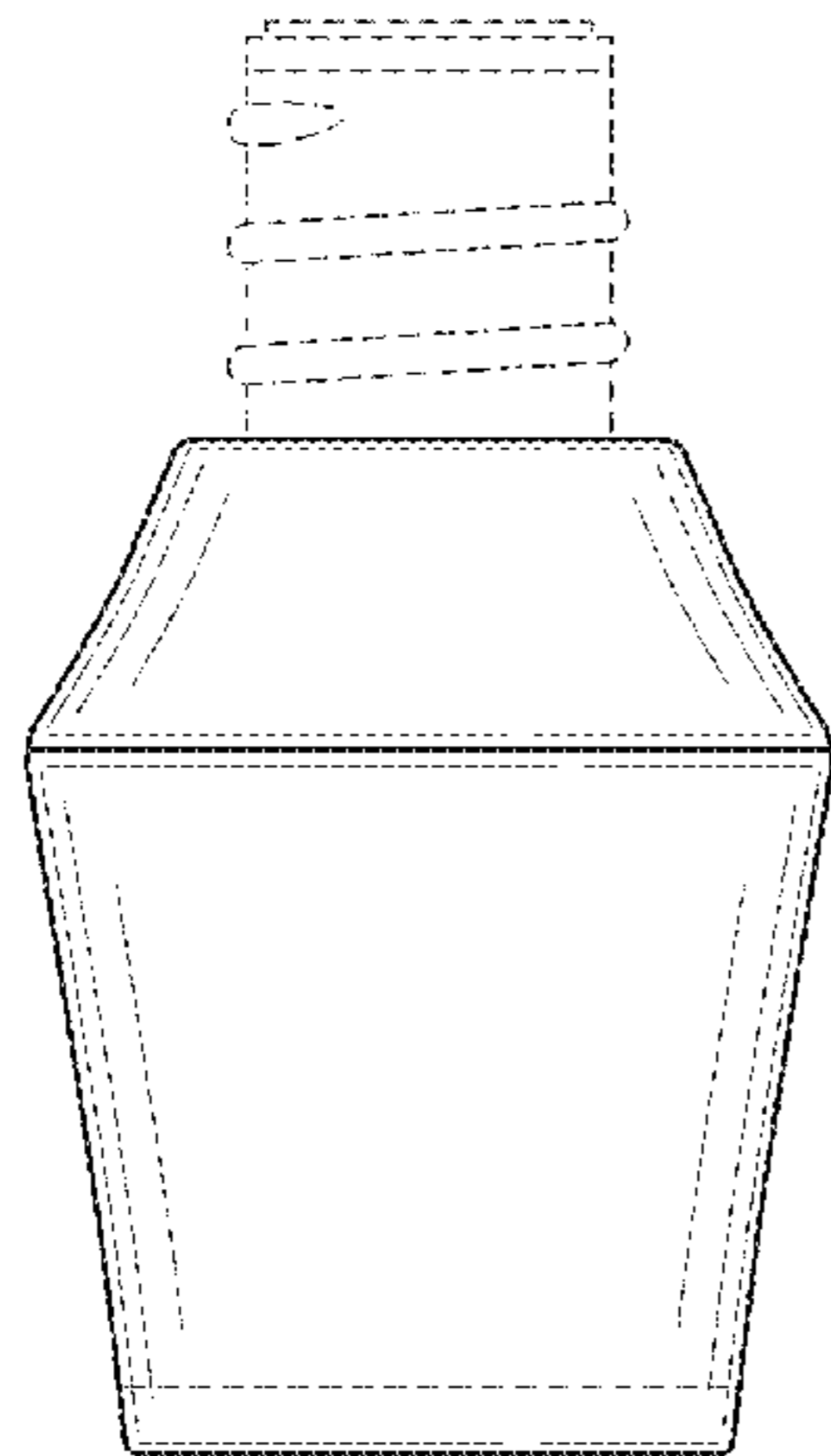
The ornamental design for a bottle for a fragrance dispenser, as shown and described.

DESCRIPTION

FIG. 1 is a perspective view of a design for a bottle for a fragrance dispenser;
FIG. 2 is a front elevation view thereof;
FIG. 3 is a left side elevation view thereof;
FIG. 4 a rear elevation view thereof;
FIG. 5 is a right side elevation view thereof;
FIG. 6 is a top plan view thereof;
FIG. 7 is a bottom plan view thereof; and,
FIG. 8 is a perspective view thereof showing the bottle for a fragrance dispenser assembled.

The broken lines in the drawings illustrate unclaimed environmental subject matter as well as the portions of the bottle for a fragrance dispenser that form no part of the claim.

1 Claim, 2 Drawing Sheets



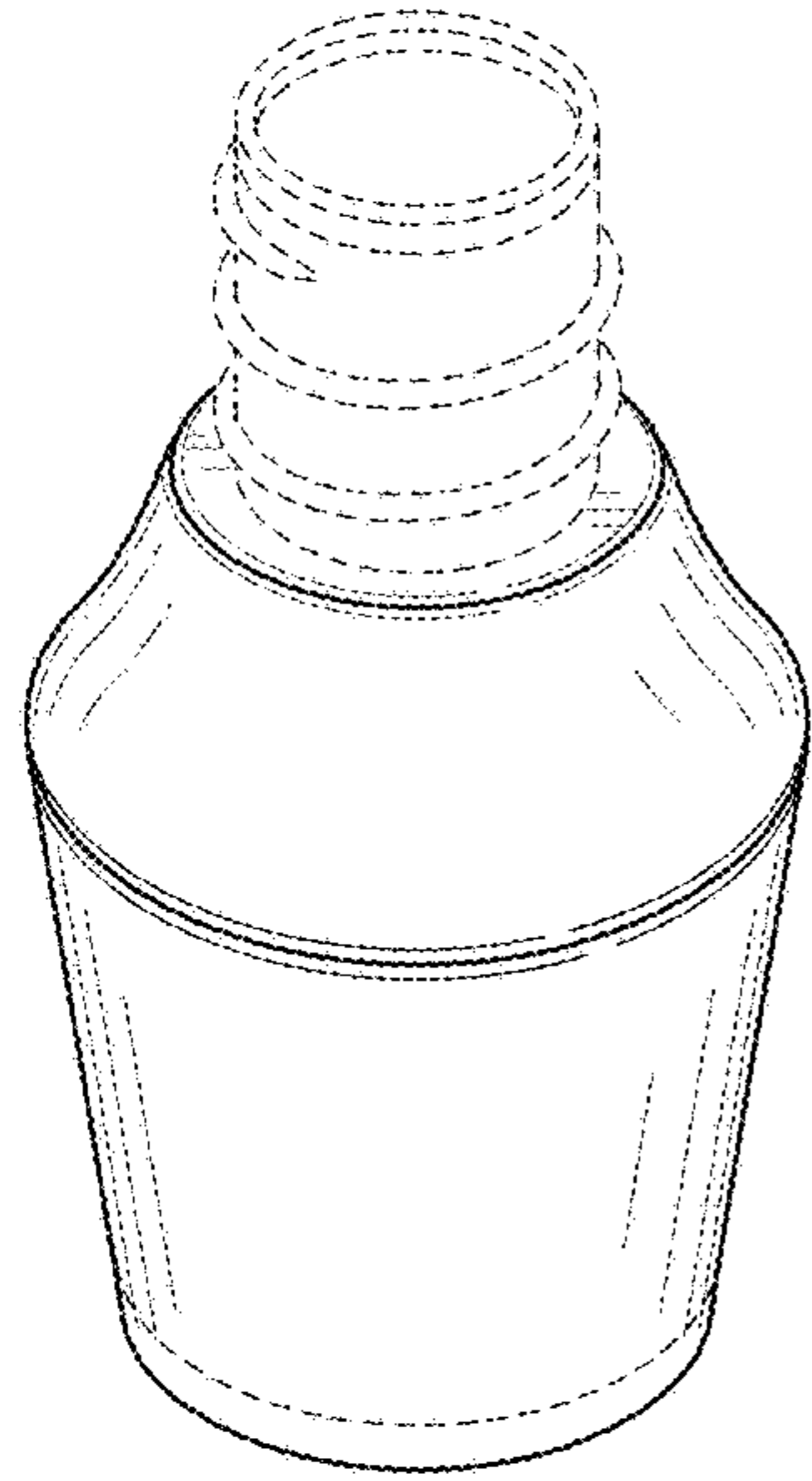


FIG. 1

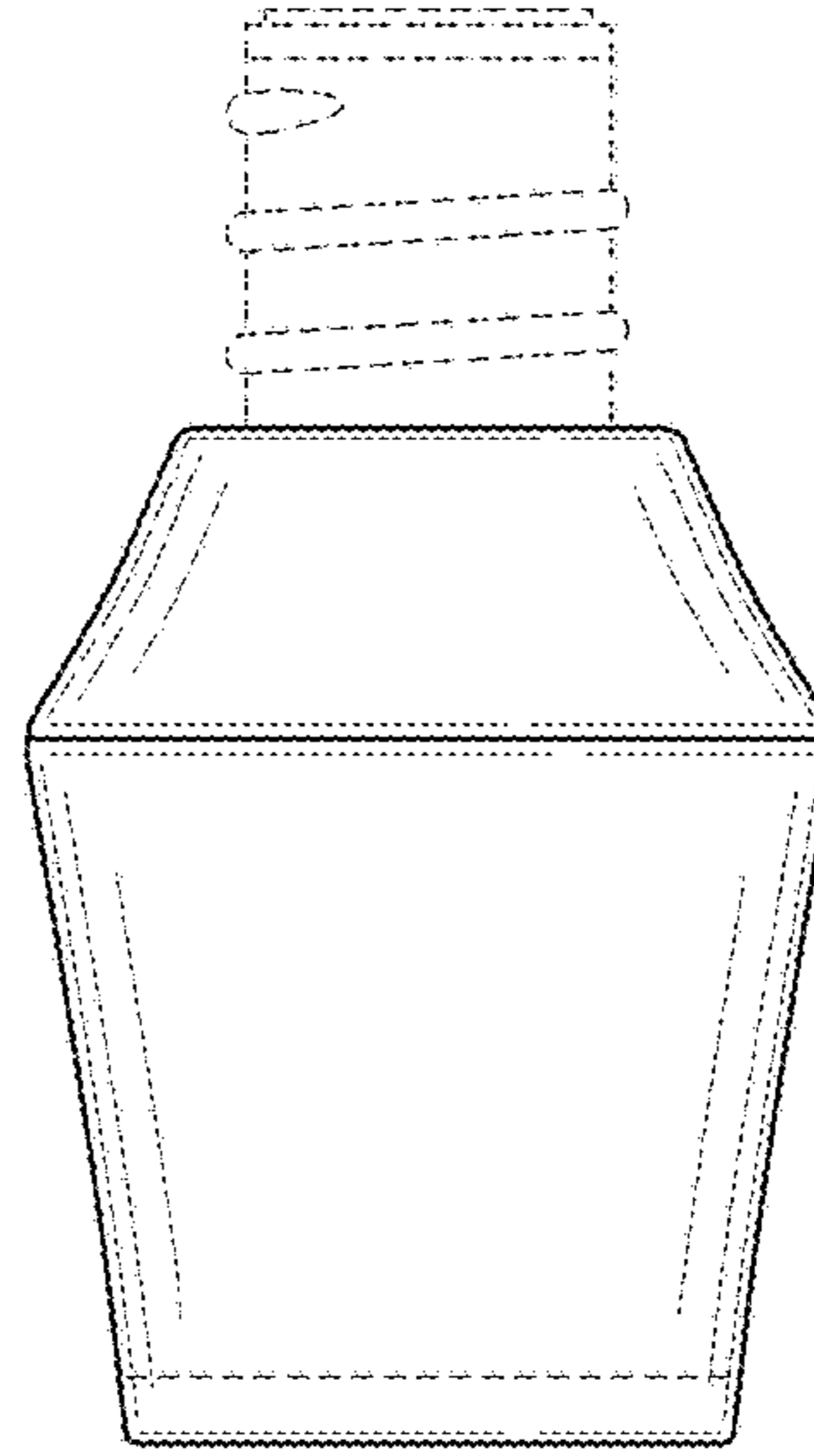


FIG. 2

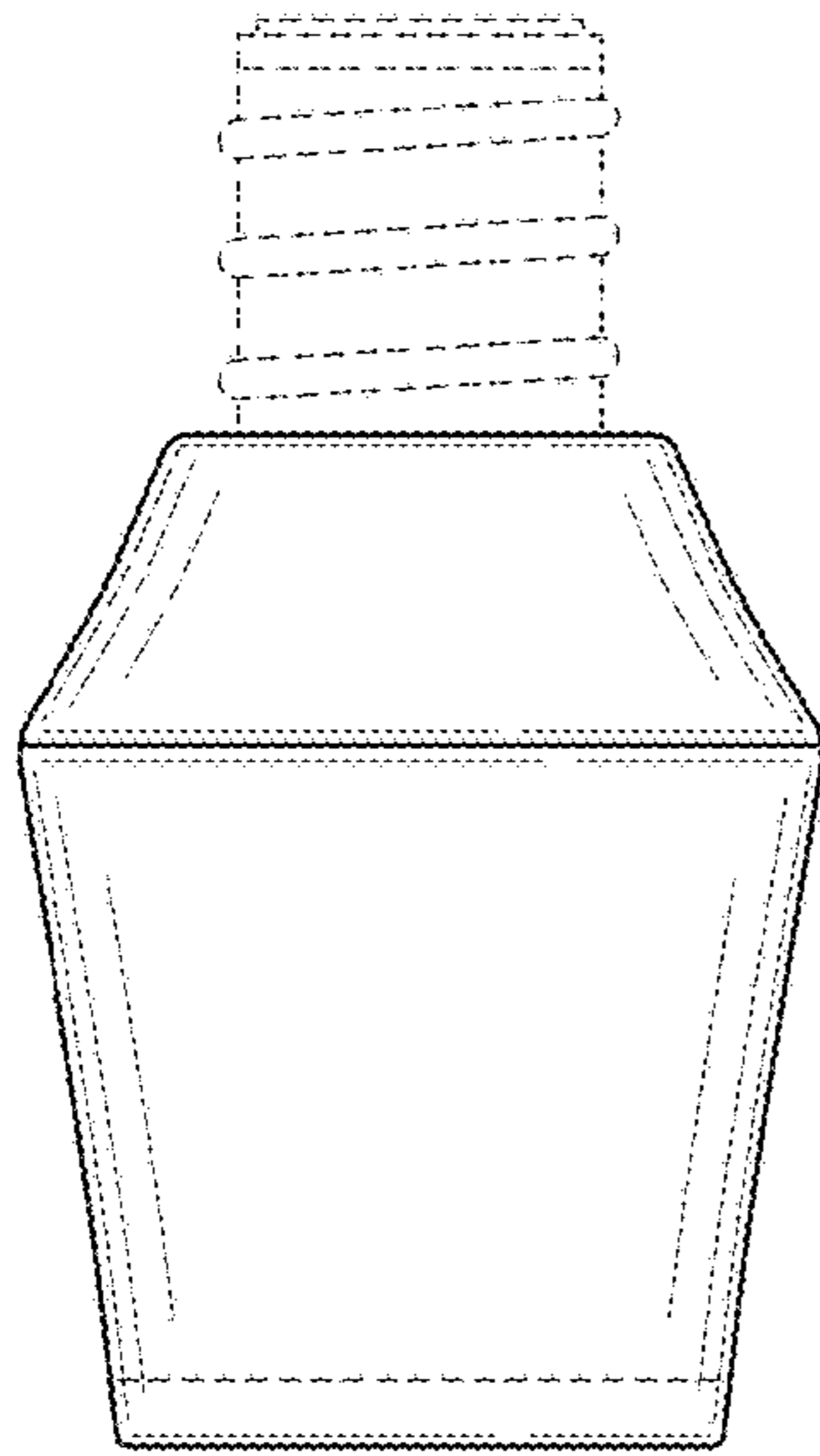


FIG. 3

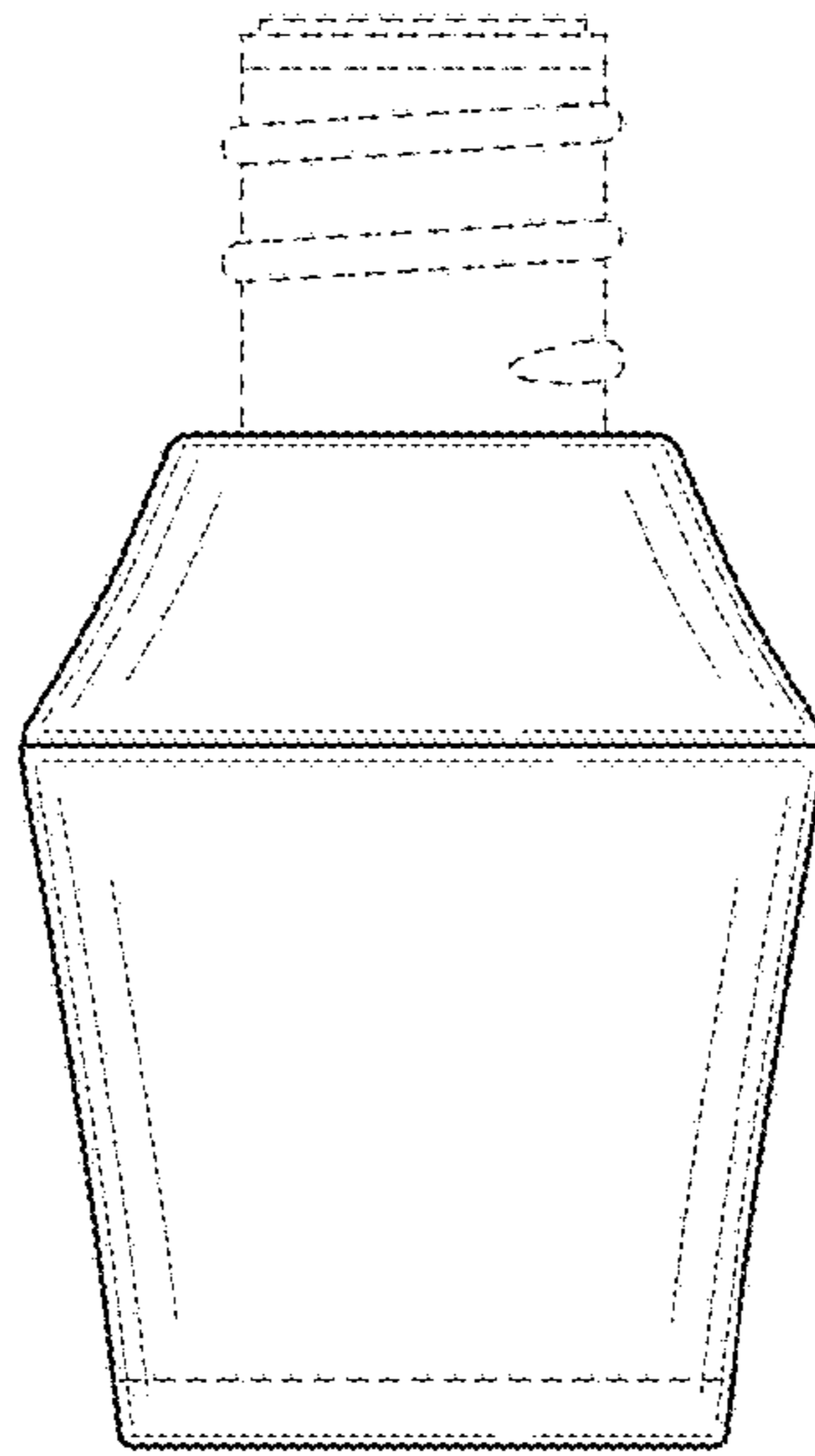


FIG. 4

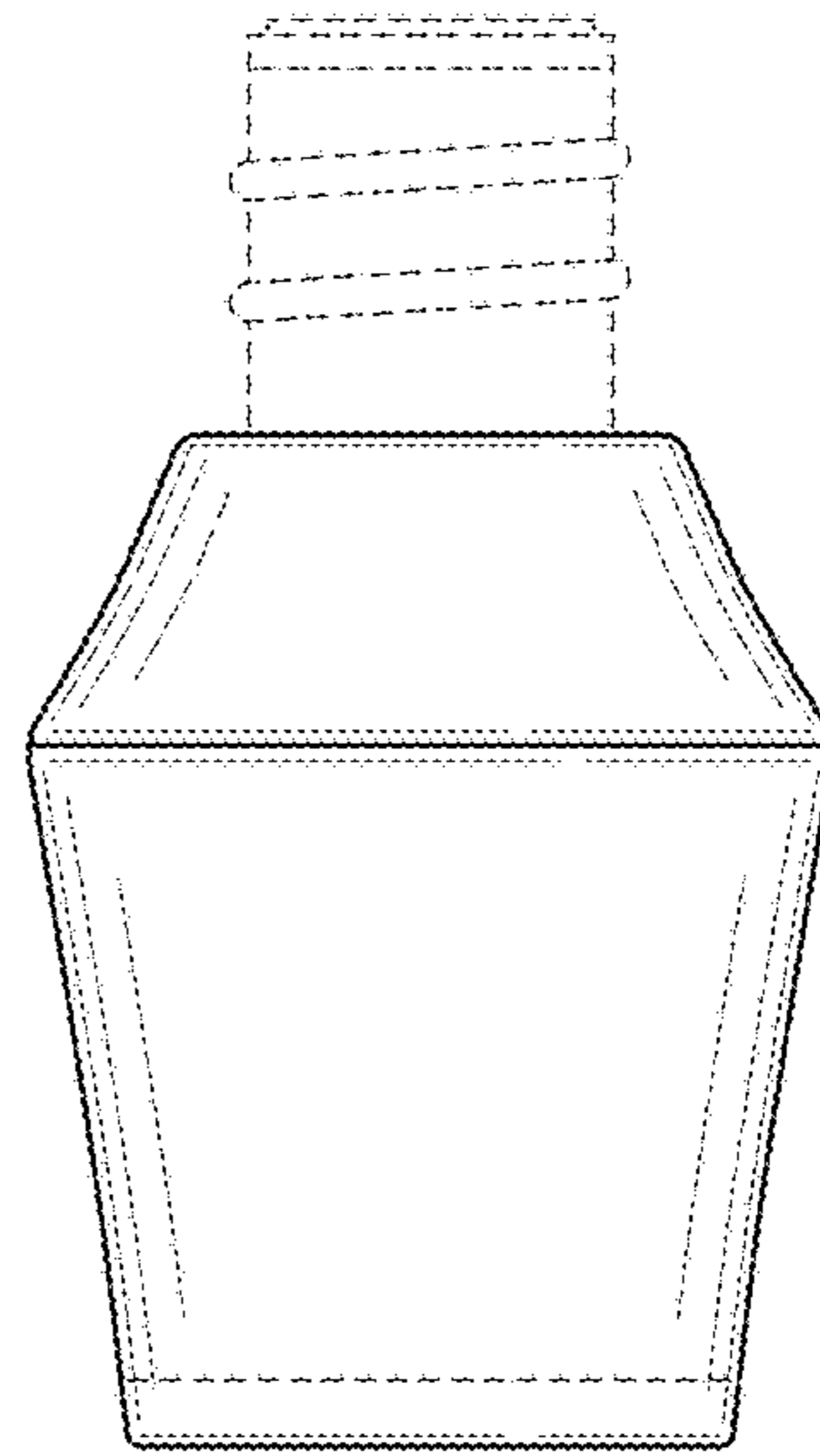


FIG. 5

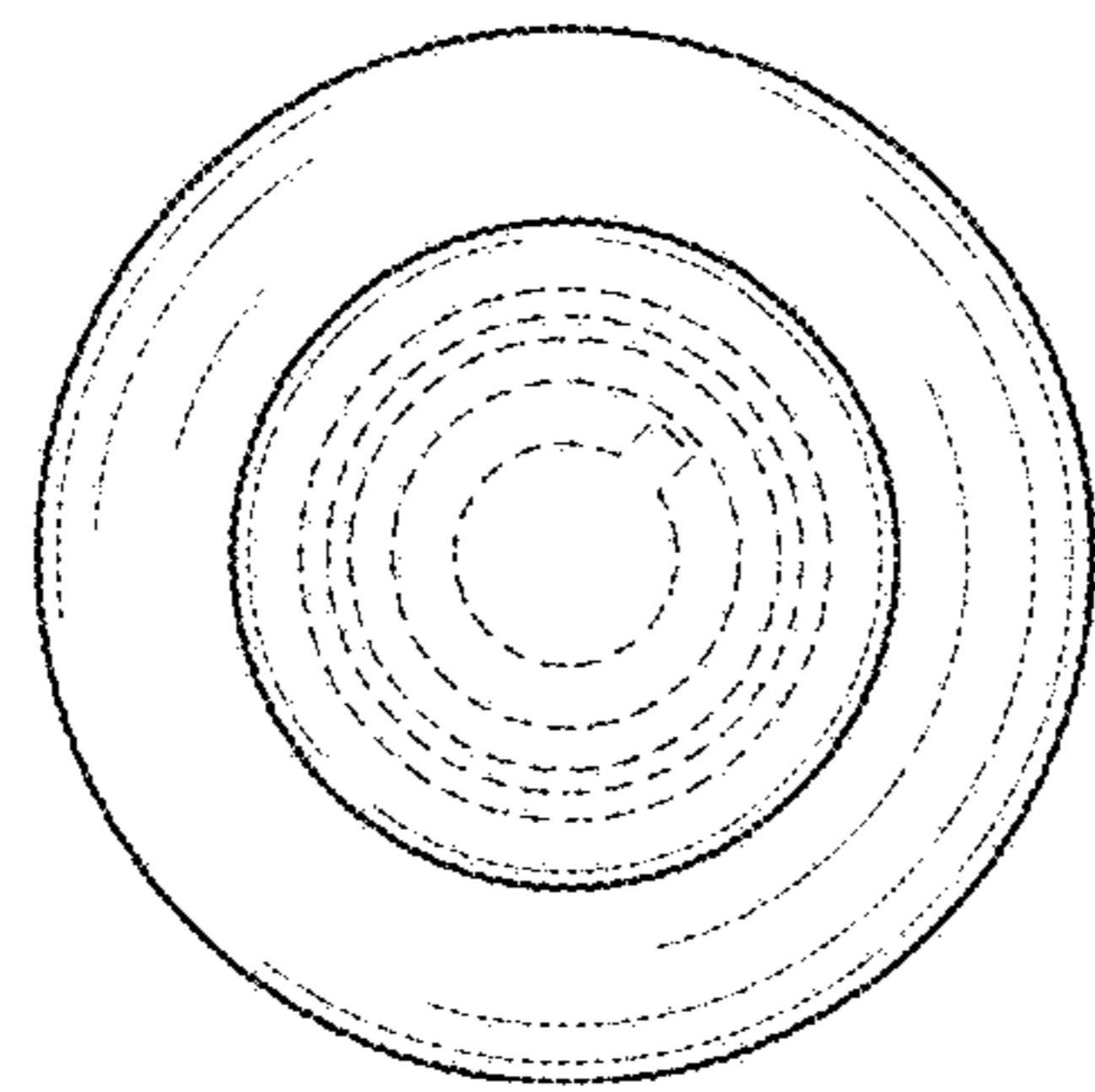


FIG. 6

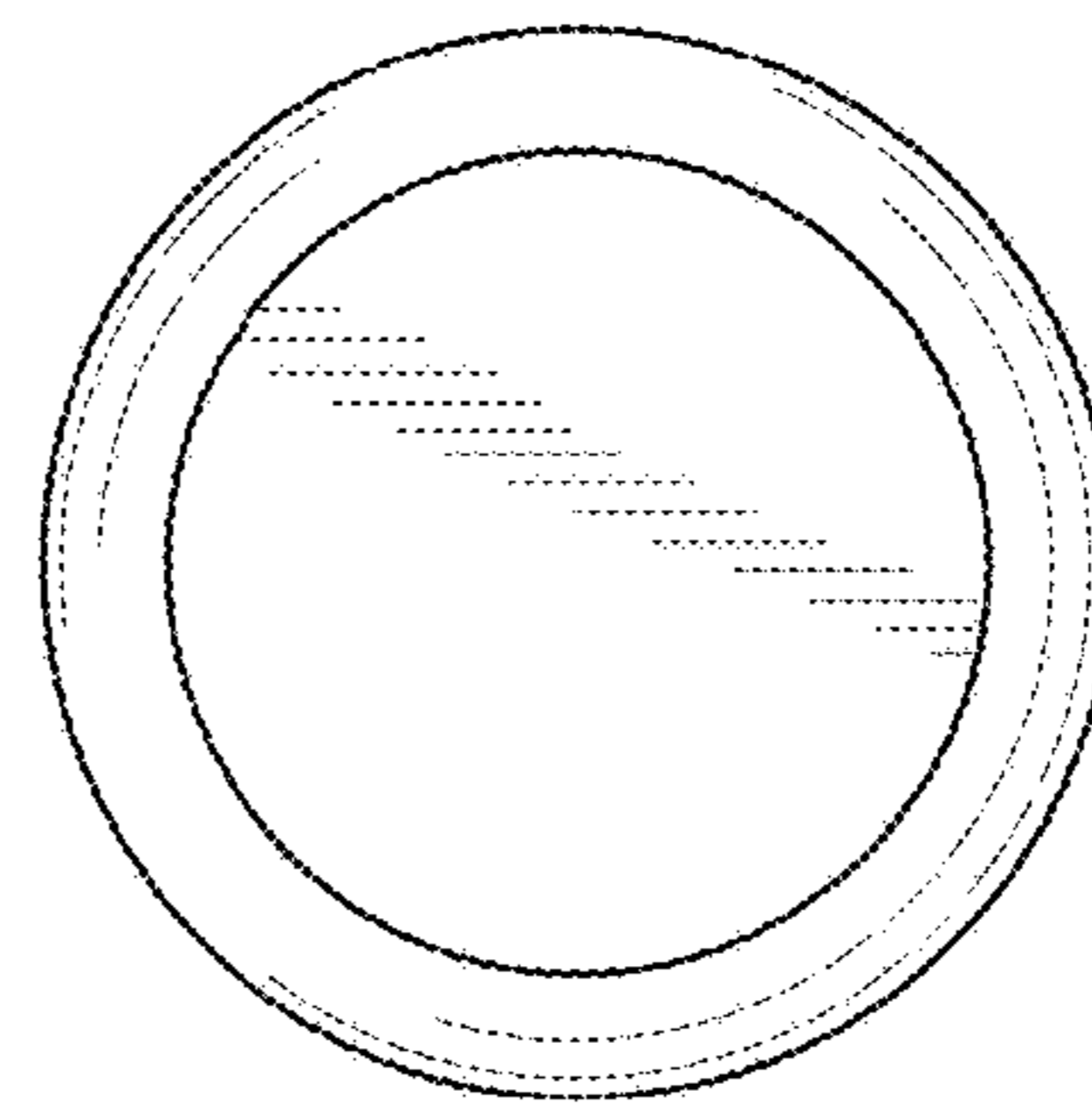


FIG. 7

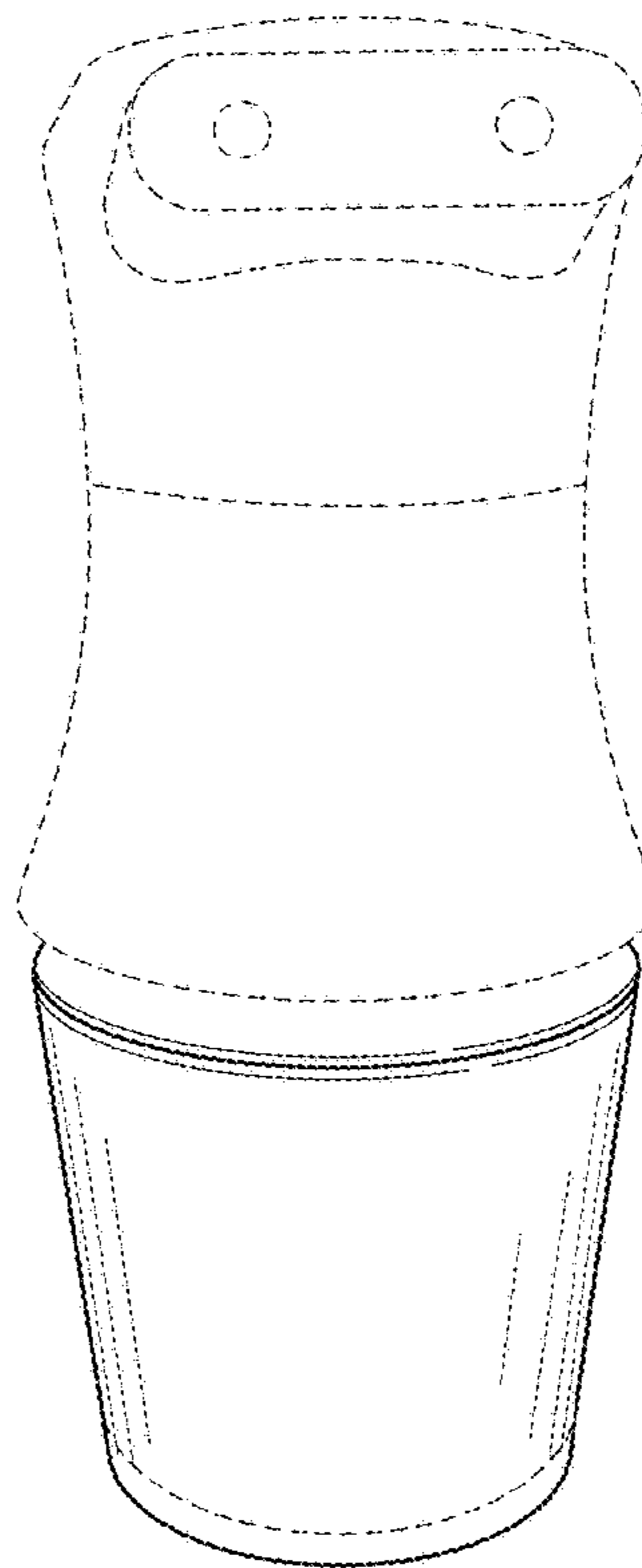


FIG. 8