



US00D849539S

(12) **United States Design Patent** (10) **Patent No.:** **US D849,539 S**  
**Watson et al.** (45) **Date of Patent:** **\*\* May 28, 2019**

(54) **PACKAGING TRAY**

B65D 75/22; B65D 75/366; B65D 43/162; A45D 27/29; A47F 1/126

(71) Applicant: **RAI Strategic Holdings, Inc.,**  
Winston-Salem, NC (US)

See application file for complete search history.

(72) Inventors: **Nicholas H. Watson,** Westfield, NC (US); **Jared H. Aller,** Winston-Salem, NC (US)

(56) **References Cited**

U.S. PATENT DOCUMENTS

(73) Assignee: **RAI STRATEGIC HOLDINGS, INC.,**  
Winston-Salem, NC (US)

3,708,061 A \* 1/1973 Weingarden ..... B65D 1/36  
206/391  
D238,932 S \* 2/1976 Thomas ..... D9/425  
4,106,621 A \* 8/1978 Sorenson ..... A61M 5/002  
206/365

(\*\*) Term: **15 Years**

(Continued)

(21) Appl. No.: **29/635,080**

OTHER PUBLICATIONS

(22) Filed: **Jan. 26, 2018**

Blister Packaging: Site Visited Dec. 20, 2018. Available from Internet URL: <https://renhao.en.made-in-china.com/product/pjAxyXgSnicV/China-Toys-and-Gifts-Packing-Plastic-Blister-Card-Hanging-Packaging.html>.\*

(51) **LOC (11) Cl.** ..... **09-07**

(52) **U.S. Cl.**  
USPC ..... **D9/456**

(58) **Field of Classification Search**  
USPC ..... D3/272, 273, 302, 304, 310, 313, 315, D3/319, 901; D6/512, 515-525, 536, D6/539, 675, 676, 675.4, 676.4, 677, D6/677.4; D7/323, 354, 391, 392, 392.1, D7/503, 552.1, 553.2, 554.1, 586, 600.1, D7/614, 701, 704; D9/414, 418, D9/420-427, 430-435, 455, 456, 517, D9/737, 739, 740, 741, 744, 745, 748, D9/749, 756, 757, 758, 759, 791, 762; D24/121, 123, 122, 216, 224, 227; D27/144, 148, 178, 182, 183, 186, 188, D27/192; D28/8, 76, 78, 82, 83

CPC ..... B65D 1/243; B65D 1/36; B65D 1/225; B65D 1/24; B65D 1/34; B65D 1/38; B65D 2501/24019; B65D 2501/24108; B65D 2501/24254; B65D 2501/2435; B65D 2501/24764; B65D 2501/24834; B65D 21/036; B65D 21/022; B65D 21/0233; B65D 25/24; B65D 25/2826; B65D 43/022; B65D 75/24; B65D 75/323; B65D 75/327; B65D 81/025; B65D 5/00; B65D 5/001; B65D 5/0015; B65D 5/0254; B65D 5/0045; B65D 5/18;

*Primary Examiner* — Jennifer Rivard  
*Assistant Examiner* — Catherine S Posthauer  
(74) *Attorney, Agent, or Firm* — Foley & Lardner LLP

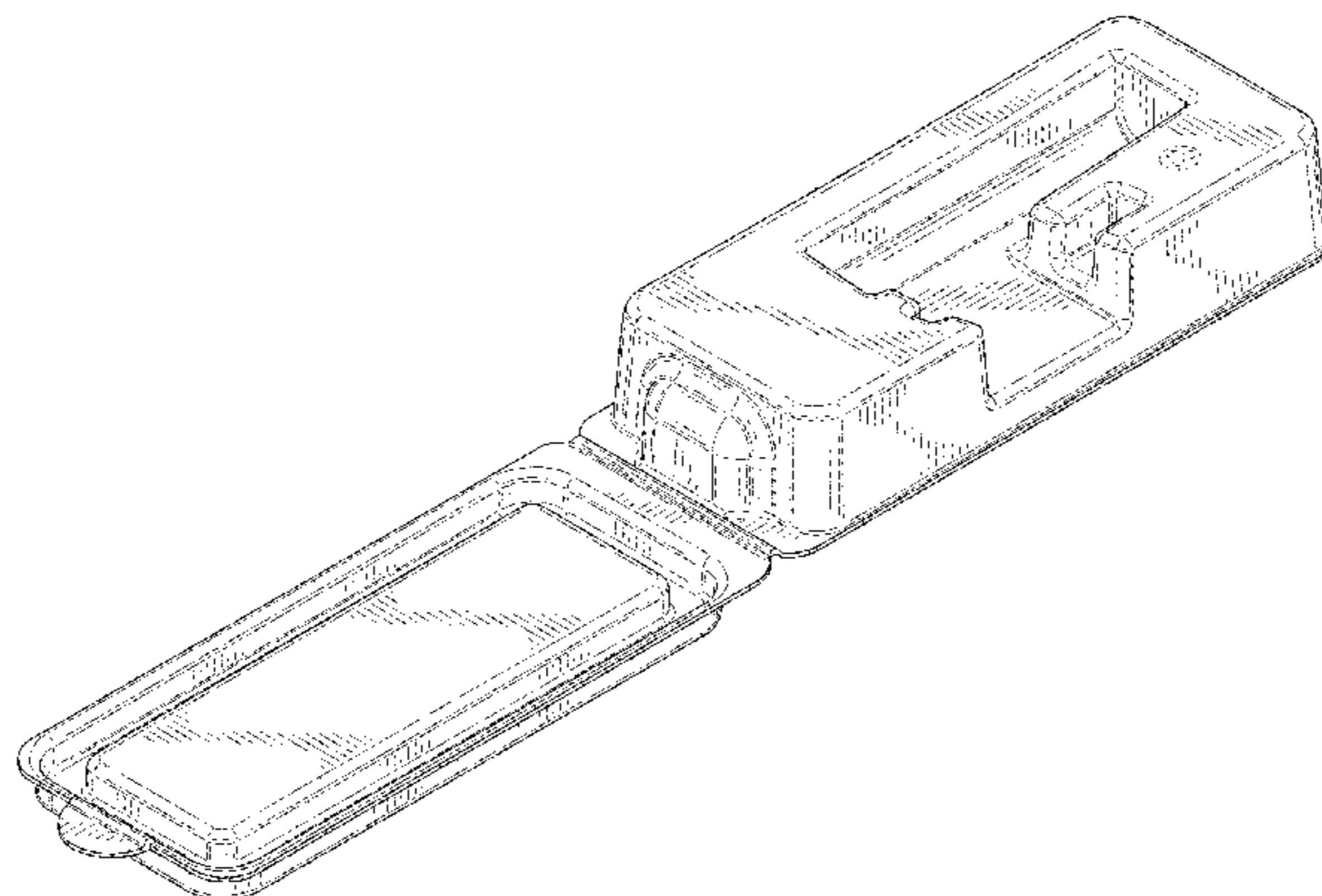
(57) **CLAIM**

We claim the ornamental design for a packaging tray, as shown and described.

**DESCRIPTION**

FIG. 1 is a top perspective view of a packaging tray showing our new design;  
FIG. 2 is a first bottom perspective view thereof;  
FIG. 3 is a second bottom perspective view thereof;  
FIG. 4 is a front elevation view thereof;  
FIG. 5 is a rear elevation view thereof;  
FIG. 6 is a right side elevation view thereof;  
FIG. 7 is a left side elevation view thereof;  
FIG. 8 is a top plan view thereof; and,  
FIG. 9 is a bottom plan view thereof.

(Continued)



The broken lines are shown for the purpose of illustrating parts of the article that form no part of the claim.

**1 Claim, 6 Drawing Sheets**

(56)

**References Cited**

U.S. PATENT DOCUMENTS

4,202,464 A \* 5/1980 Mohs ..... B65D 21/0233  
 206/515  
 4,512,474 A \* 4/1985 Harding ..... B65D 75/225  
 206/461  
 D304,157 S \* 10/1989 Holewinski ..... D9/737  
 D306,698 S \* 3/1990 Garcia ..... D9/424  
 D333,237 S \* 2/1993 Plaut ..... D7/549  
 5,284,244 A \* 2/1994 O'Toole ..... B65D 25/10  
 206/363  
 5,540,324 A \* 7/1996 Knapp ..... A45C 11/16  
 206/348  
 D406,755 S \* 3/1999 Garganese ..... D9/415  
 D406,756 S \* 3/1999 Garganese ..... D9/415  
 D417,391 S \* 12/1999 Szczepanski ..... D9/423  
 D515,438 S \* 2/2006 Baranowski ..... D9/737  
 D615,396 S \* 5/2010 Changpan ..... D9/425  
 D631,337 S \* 1/2011 Prevost ..... D9/421

D631,338 S \* 1/2011 Prevost ..... D9/421  
 D641,616 S \* 7/2011 Prevost ..... D9/420  
 D648,630 S \* 11/2011 Doster ..... D19/83  
 8,584,849 B2 \* 11/2013 McCaffrey ..... A61M 25/002  
 206/364  
 D702,118 S \* 4/2014 Gianoli ..... D9/424  
 9,045,256 B2 \* 6/2015 Baker ..... B65D 25/10  
 D739,551 S \* 9/2015 Castaing ..... D24/222  
 D747,548 S 1/2016 Mayor  
 D748,498 S 2/2016 Pipes et al.  
 D756,223 S 5/2016 Pipes et al.  
 D760,952 S 7/2016 Mayor  
 D767,988 S \* 10/2016 Wu ..... D9/415  
 D815,519 S \* 4/2018 Geheran ..... D9/423  
 D816,501 S \* 5/2018 Oldham et al. .... D9/456  
 D816,860 S \* 5/2018 LiCalzi ..... D24/216  
 D819,439 S \* 6/2018 Young et al. .... D9/420  
 D833,270 S \* 11/2018 Fath ..... D9/418  
 2003/0121810 A1 \* 7/2003 Roshdy ..... B65D 1/36  
 206/363  
 2006/0213800 A1 \* 9/2006 Ballard ..... B65D 43/162  
 206/470  
 2010/0308038 A1 \* 12/2010 Davidson ..... B65D 81/025  
 220/4.21  
 2011/0226766 A1 \* 9/2011 Baker ..... B65D 1/36  
 220/23.88  
 2015/0114855 A1 \* 4/2015 Glick ..... A61F 2/1691  
 206/204

\* cited by examiner

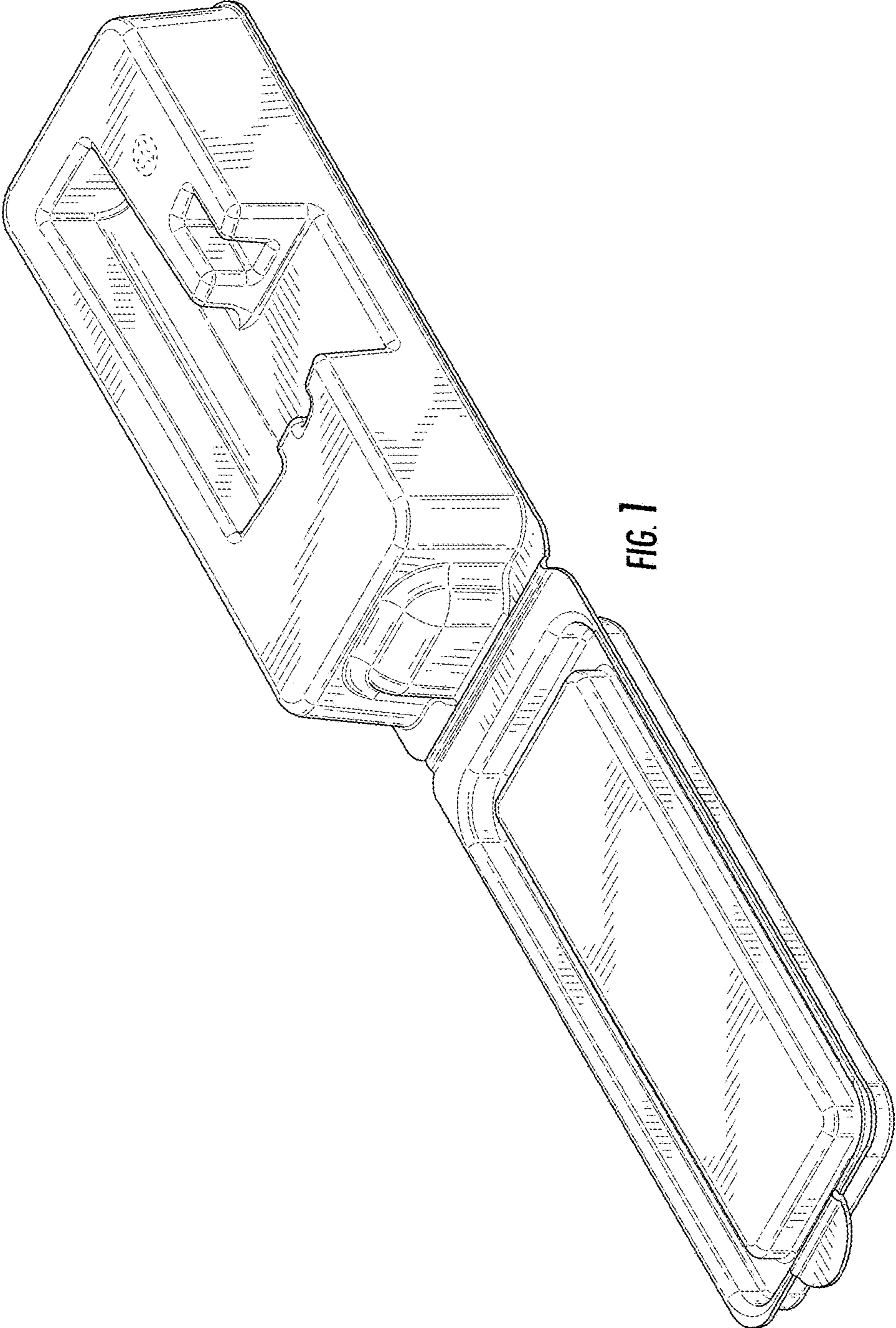


FIG. 1

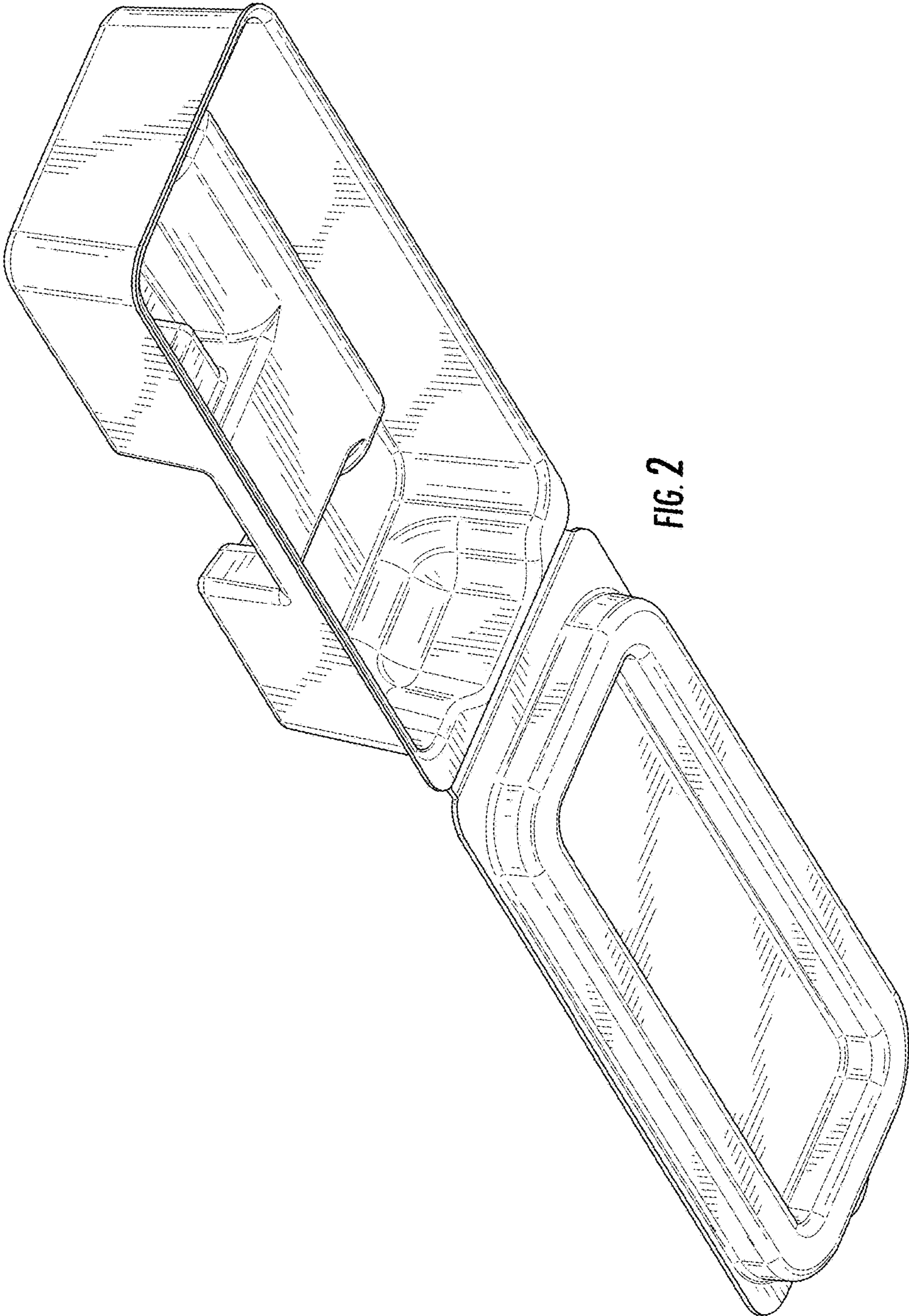


FIG. 2

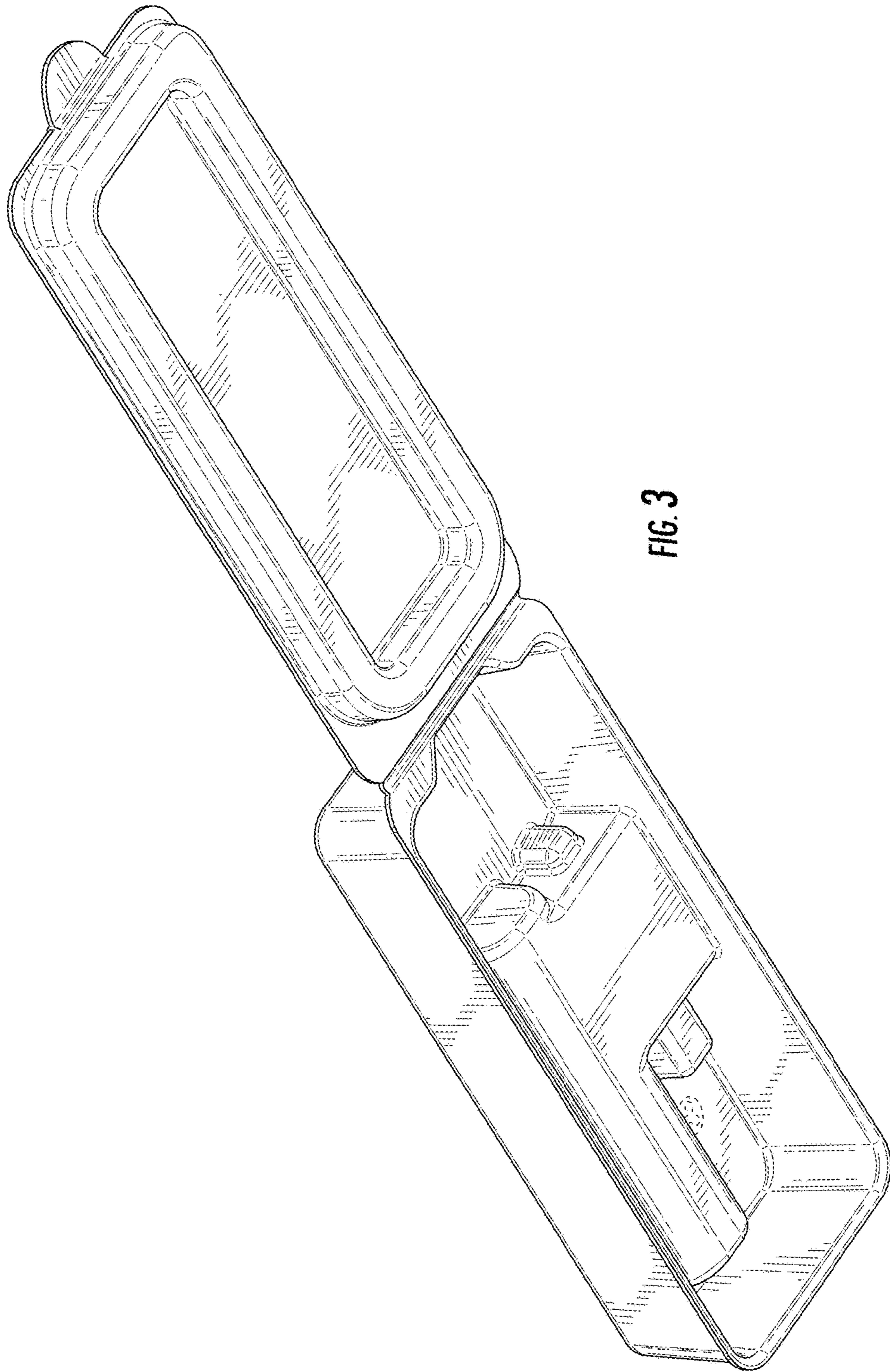


FIG. 3

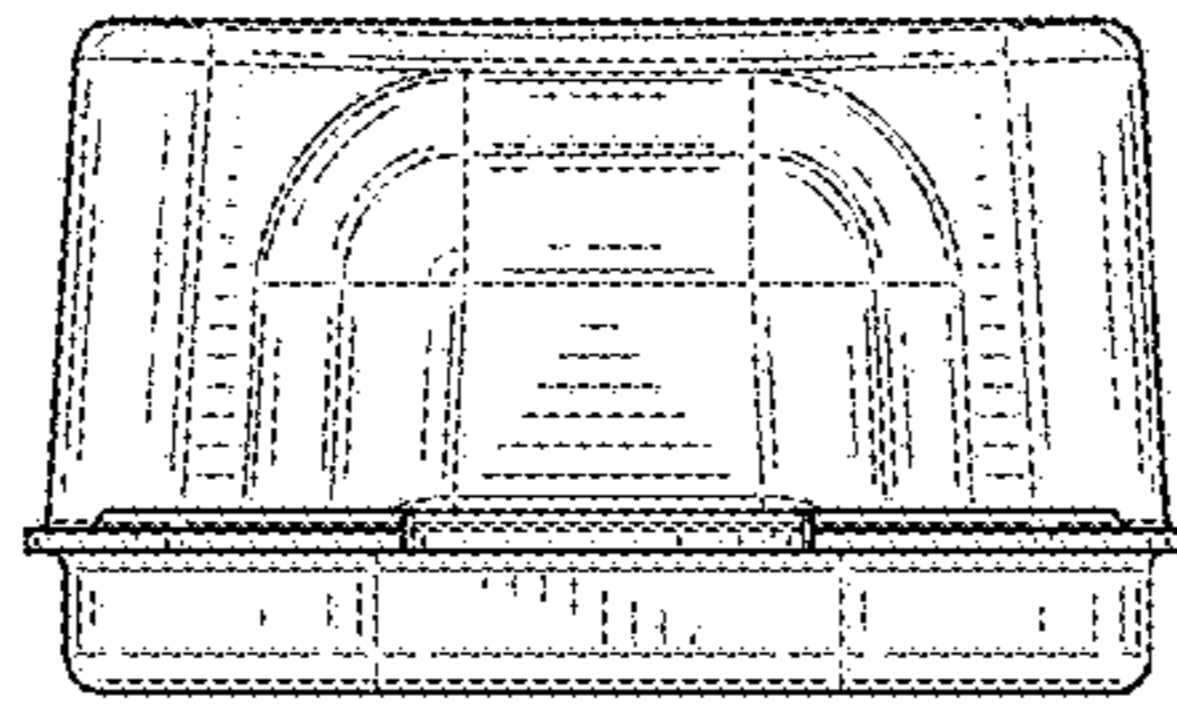


FIG. 4

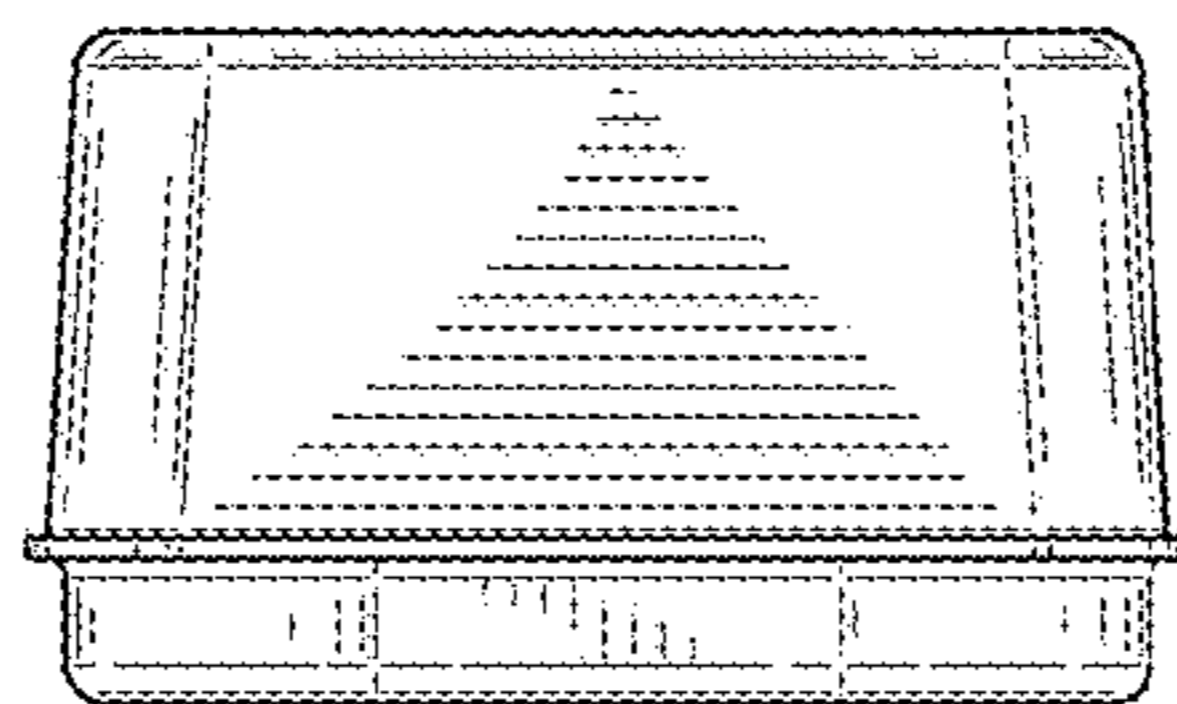


FIG. 5

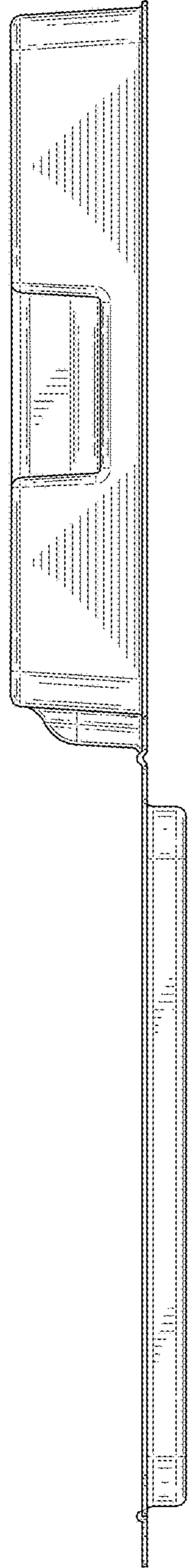


FIG. 6

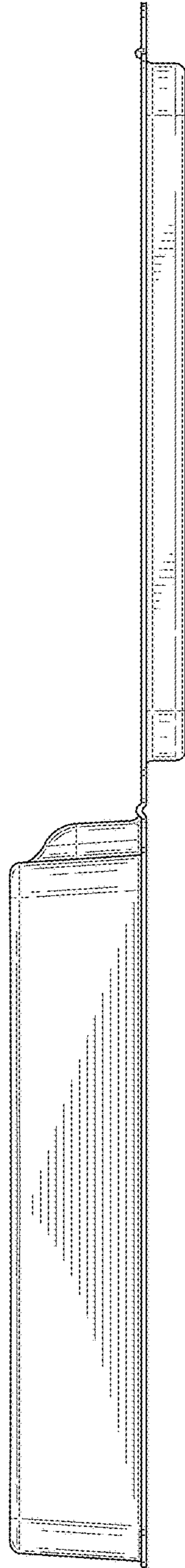


FIG. 7

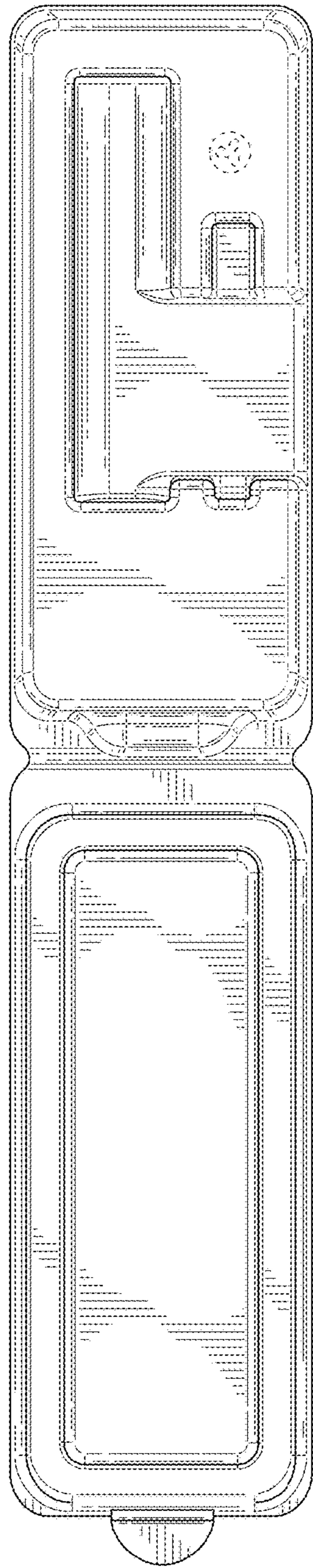


FIG. 8

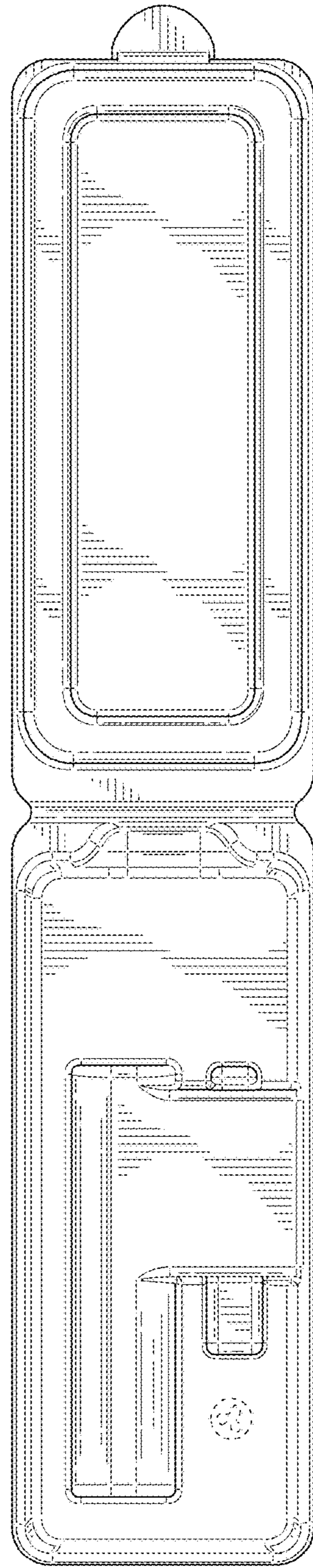


FIG. 9