

US00D849538S

(12) **United States Design Patent** (10) **Patent No.:** **US D849,538 S**  
**Dhir** (45) **Date of Patent:** **\*\* May 28, 2019**

(54) **BOX DISPLAY INSERT**

(71) Applicant: **Jason Dhir**, Dublin, OH (US)

(72) Inventor: **Jason Dhir**, Dublin, OH (US)

(\*\*) Term: **15 Years**

(21) Appl. No.: **29/584,447**

(22) Filed: **Nov. 15, 2016**

(51) **LOC (11) Cl.** ..... **09-07**

(52) **U.S. Cl.**  
USPC ..... **D9/456**

(58) **Field of Classification Search**

USPC ..... D6/397, 441, 470, 553, 554; D7/357,  
D7/602, 629, 553.1, 553.8, 56, 591, 615;  
D14/251, 248; D9/414, 418, 425,  
D9/430-433, 455, 456, 457, 501, 748,  
D9/749, 750, 751, 755, 759; D19/34.1,  
D19/96, 106, 191  
CPC . B65D 9/06; B65D 5/50; B65D 57/00; B65D  
11/00; B65D 81/3813; B65D 81/3832;  
B65D 81/386; B65D 5/4266; B65D  
5/566; B65D 65/44; B65B 2220/10;  
B65B 2220/16; A47G 29/08; A47K  
10/185; Y10S 248/902; Y10S 248/905

See application file for complete search history.

(56) **References Cited**

**U.S. PATENT DOCUMENTS**

428,680 A \* 5/1890 Lamont ..... A47G 29/08  
248/682  
1,792,186 A \* 2/1931 Rishel ..... A47G 29/08  
211/90.01  
D110,426 S \* 7/1938 Thebaud ..... D9/432

(Continued)

*Primary Examiner* — Jennifer Rivard

*Assistant Examiner* — Catherine S Posthauer

(74) *Attorney, Agent, or Firm* — James R. Eley; Ronald J. Koch; The Eley Law Firm

(57) **CLAIM**

The ornamental design for a box display insert, as shown and described.

**DESCRIPTION**

FIG. 1 is a front perspective view of a box display insert showing a first embodiment of the design;

FIG. 2 is a rear perspective view of the box display insert of FIG. 1;

FIG. 3 is a top plan view of the box display insert of FIG. 1;

FIG. 4 is a bottom view of the box display insert of FIG. 1; FIG. 5 is a left side elevational view of the box display insert of FIG. 1, the right side being a mirror image;

FIG. 6 is a front view of the box display insert of FIG. 1; FIG. 7 is a rear view of the box display insert of FIG. 1;

FIG. 8 is an exploded front perspective view of the box display insert of FIG. 1, shown in a position of use with an exemplary box display;

FIG. 9 is an exploded rear perspective view thereof;

FIG. 10 is a front perspective view of a box display insert showing a second embodiment of the design;

FIG. 11 is a rear perspective view of the box display insert of FIG. 10;

FIG. 12 is a top plan view of the box display insert of FIG. 10;

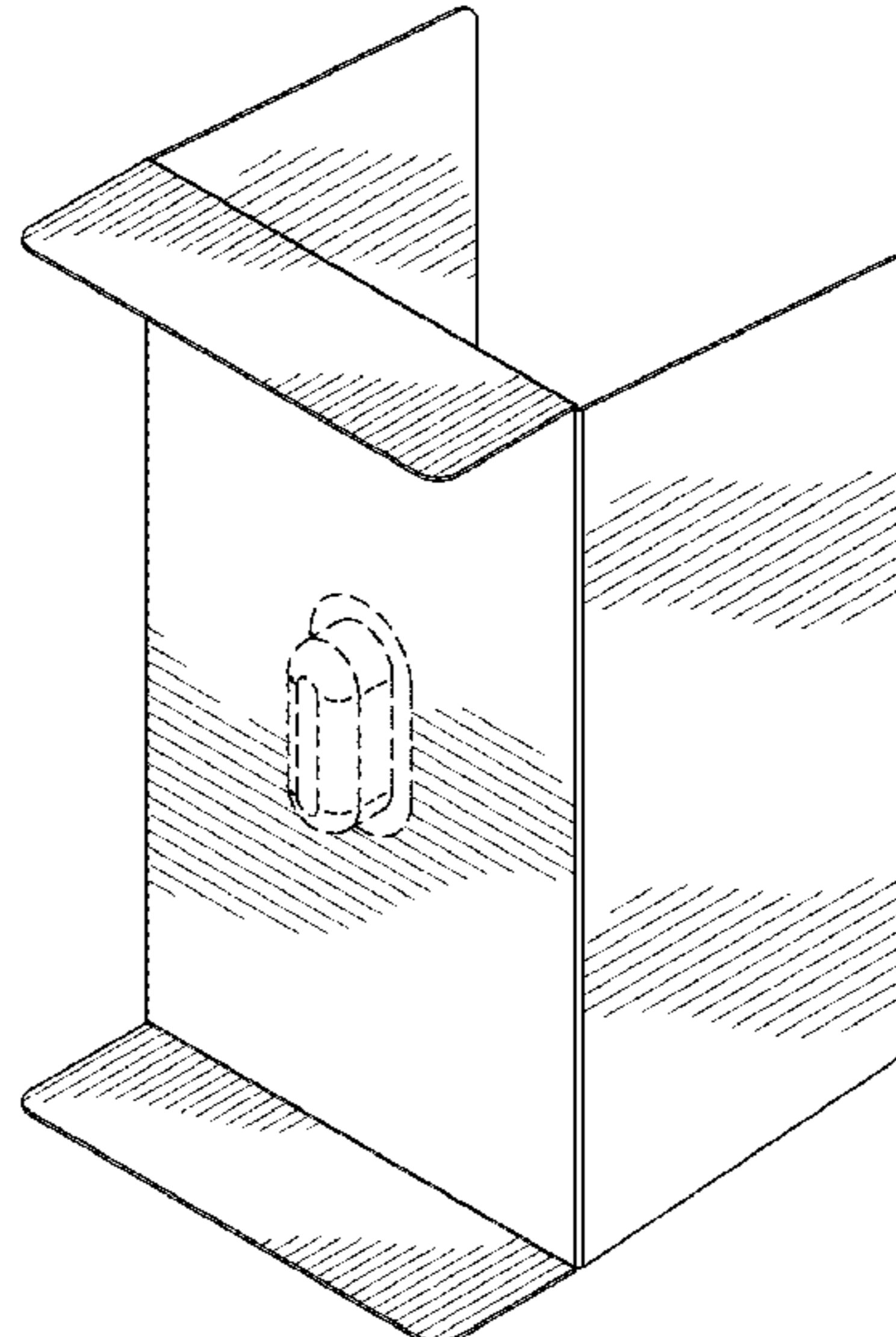
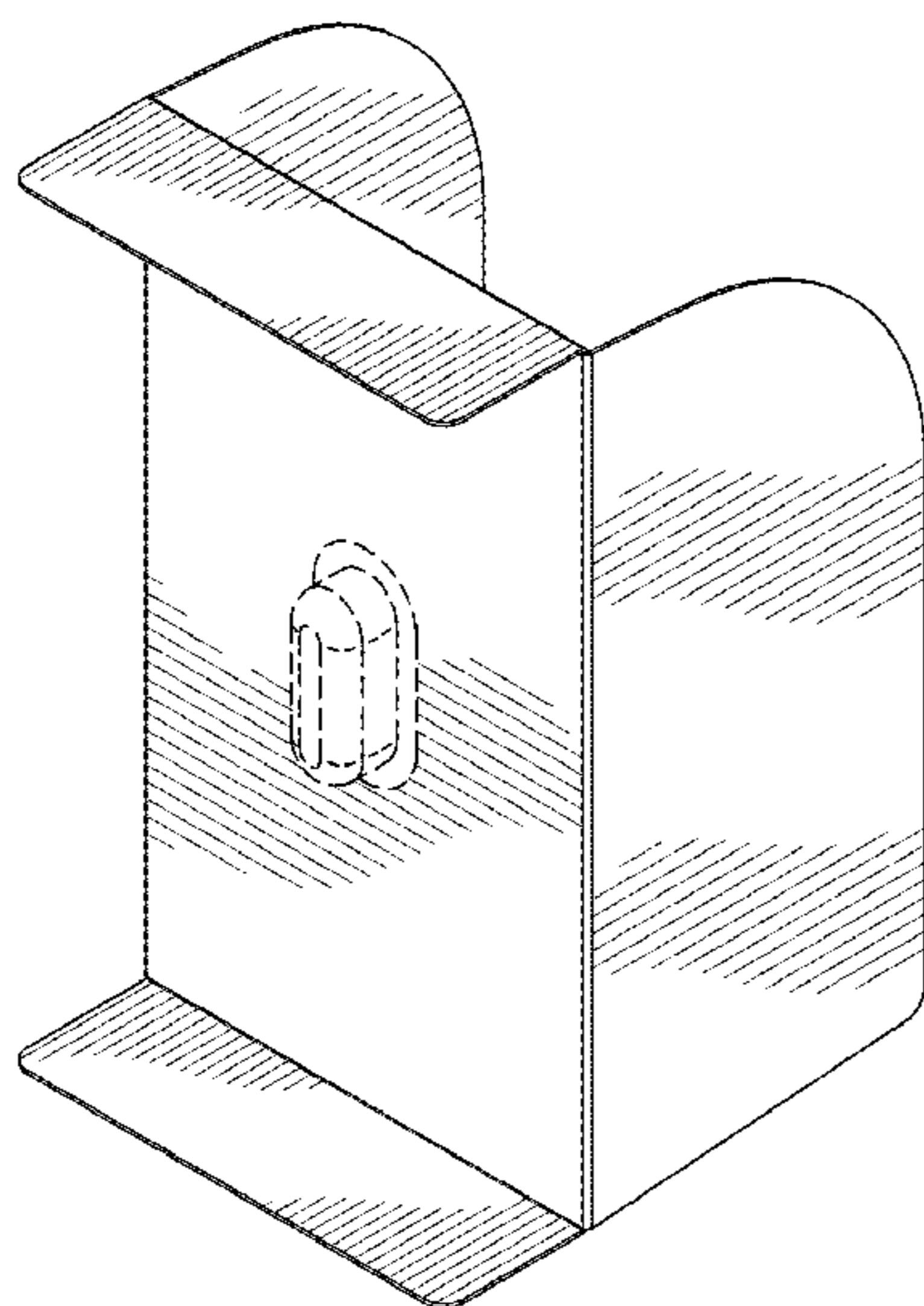
FIG. 13 is a bottom view of the box display insert of FIG. 10;

FIG. 14 is a left side elevational view of the box display insert of FIG. 10, the right side being a mirror image;

FIG. 15 is a front view of the box display insert of FIG. 10; and,

FIG. 16 is a rear view of the box display insert of FIG. 10. The broken lines represent both parts of the article as well as environmental subject matter, none of which form part of the claimed design.

**1 Claim, 10 Drawing Sheets**



(56)

References Cited

U.S. PATENT DOCUMENTS

2,259,244	A *	10/1941	Davis	.....	B65D 5/4266	206/216
2,263,956	A *	11/1941	Russell	.....	B60R 7/084	221/46
2,689,078	A *	9/1954	Andrew, Jr.	.....	B65D 5/12	229/122
3,258,238	A *	6/1966	Grafton	.....	A47K 10/185	248/311.3
D207,746	S *	5/1967	Cote	.....		D9/418
D211,321	S *	6/1968	Ullmann	.....		D9/418
D230,572	S *	3/1974	D'Alessio	.....		D9/418
D274,407	S *	6/1984	Rosenburg, Jr.	.....		D9/418
D291,065	S *	7/1987	Pugh	.....		D9/418
D292,965	S *	12/1987	Fein	.....		D9/418
D295,960	S *	5/1988	Pugh	.....		D9/418
D299,433	S *	1/1989	Gustafsson	.....		D9/433
D304,006	S *	10/1989	Nichols	.....		D6/553
D306,699	S *	3/1990	Michau	.....		D9/432
D308,784	S *	6/1990	Liptak	.....		D6/553
D309,262	S *	7/1990	Coiner	.....		D9/418
D397,884	S *	9/1998	Banach	.....		D6/555
D411,931	S *	7/1999	Hartmann	.....		D6/553
D419,350	S *	1/2000	Baron	.....		D6/553
D455,956	S *	4/2002	Thompson	.....		D9/415
D470,769	S *	2/2003	Holthaus	.....		D9/430
D489,609	S *	5/2004	Holthaus	.....		D9/430
D536,612	S *	2/2007	Geurts	.....		D9/432
D551,294	S *	9/2007	Goudy	.....		D19/34.1
D571,198	S *	6/2008	Lee	.....		D9/432
D694,099	S *	11/2013	Ensslen, III	.....		D9/418
D733,550	S *	7/2015	Birgers	.....		D9/414
D752,425	S *	3/2016	Parthenis, Jr.	.....		D9/414
D774,882	S *	12/2016	Kemker	.....		D9/414
D814,290	S *	4/2018	Doster	.....		D9/418
2011/0155870	A1 *	6/2011	Tyner	.....	A47F 1/04	248/201

\* cited by examiner

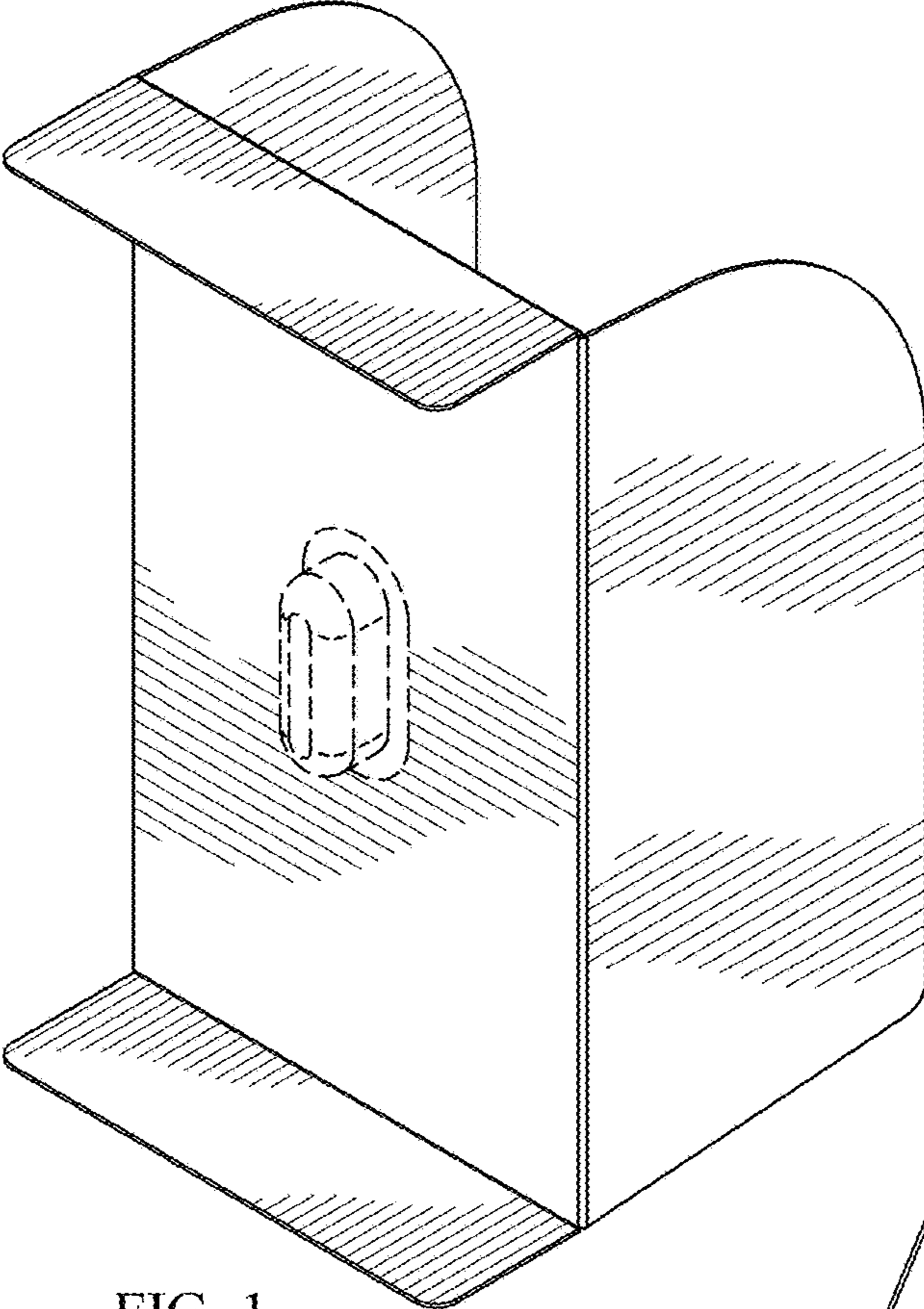


FIG. 1

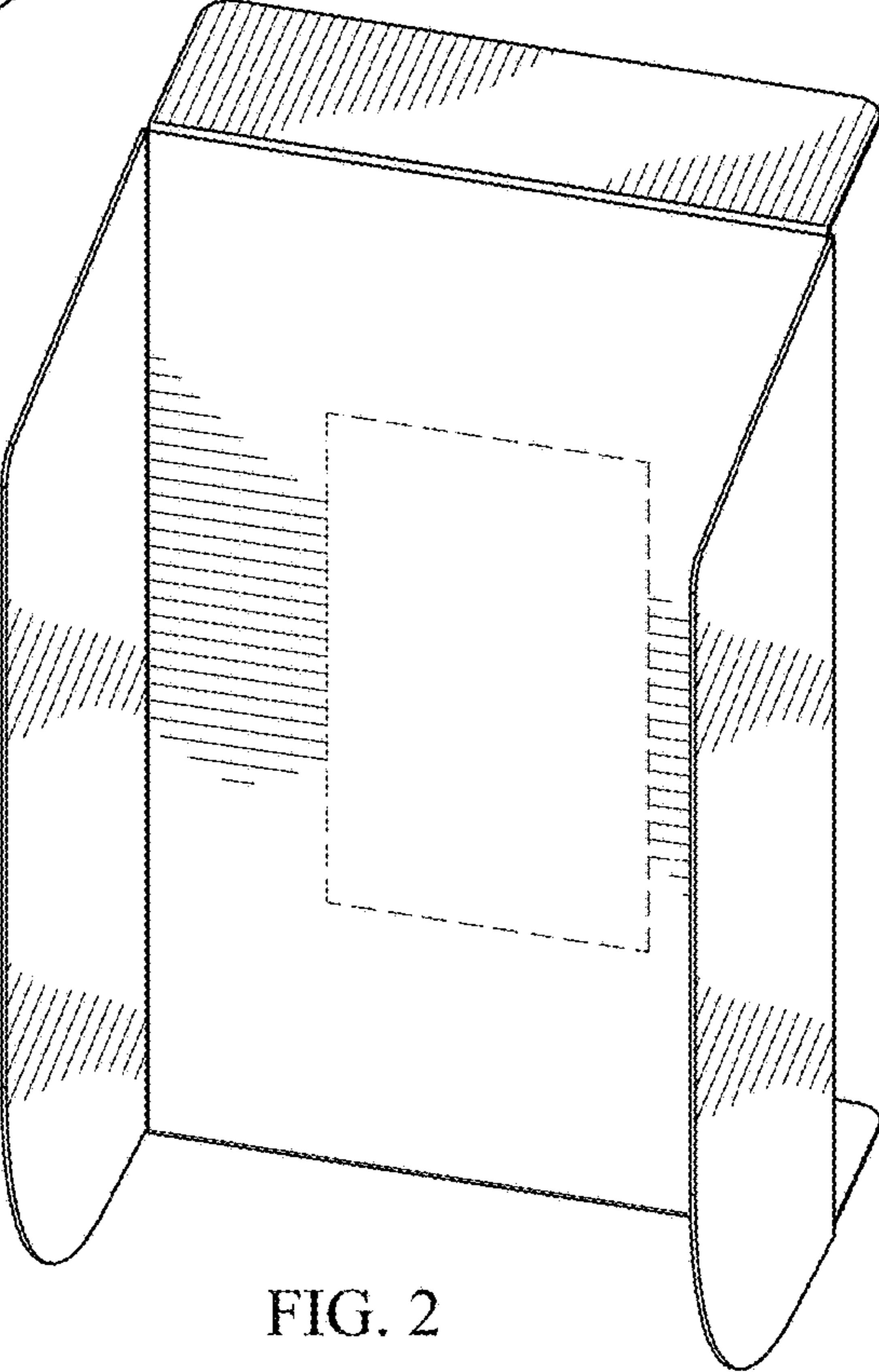


FIG. 2

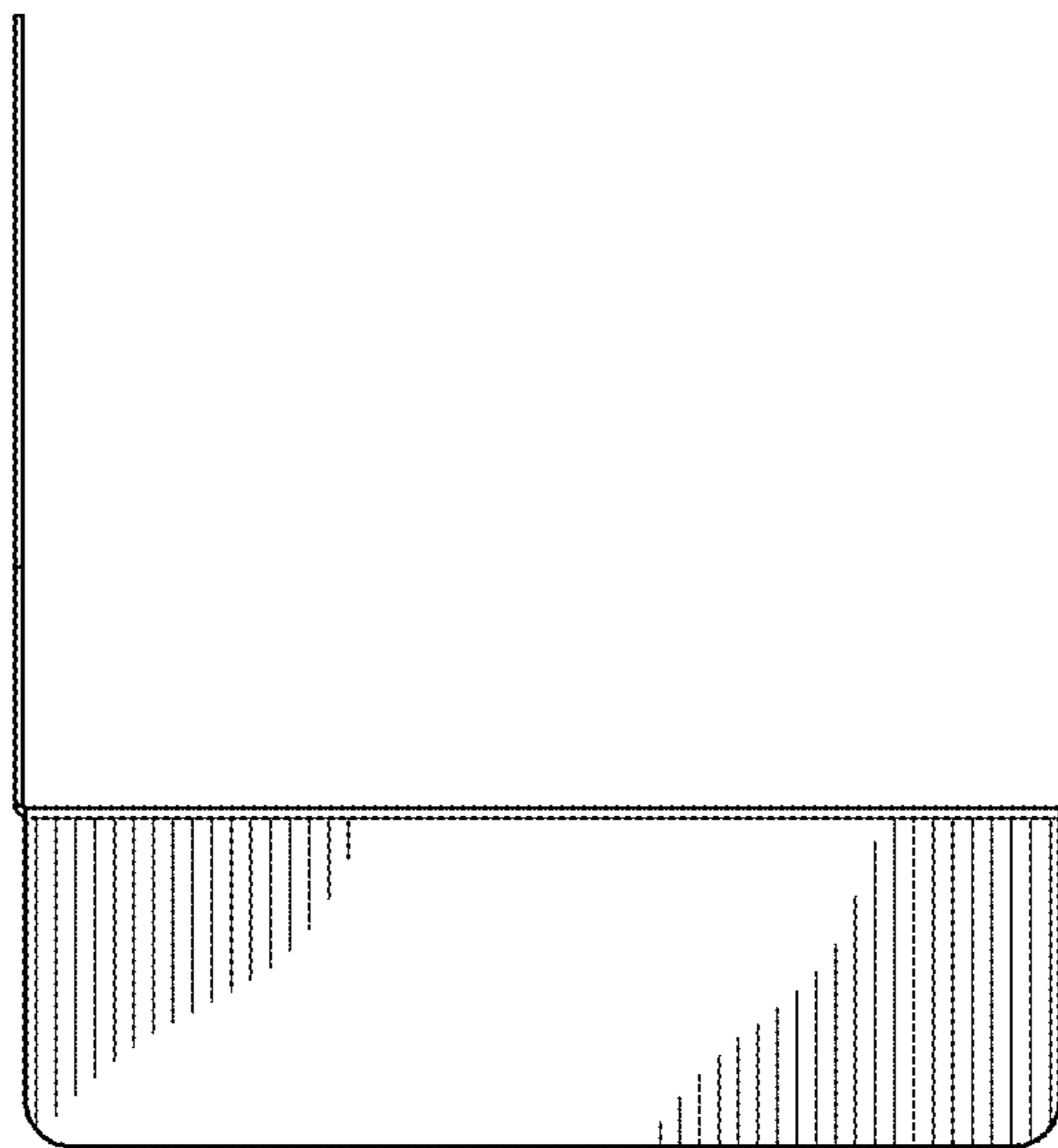


FIG. 3

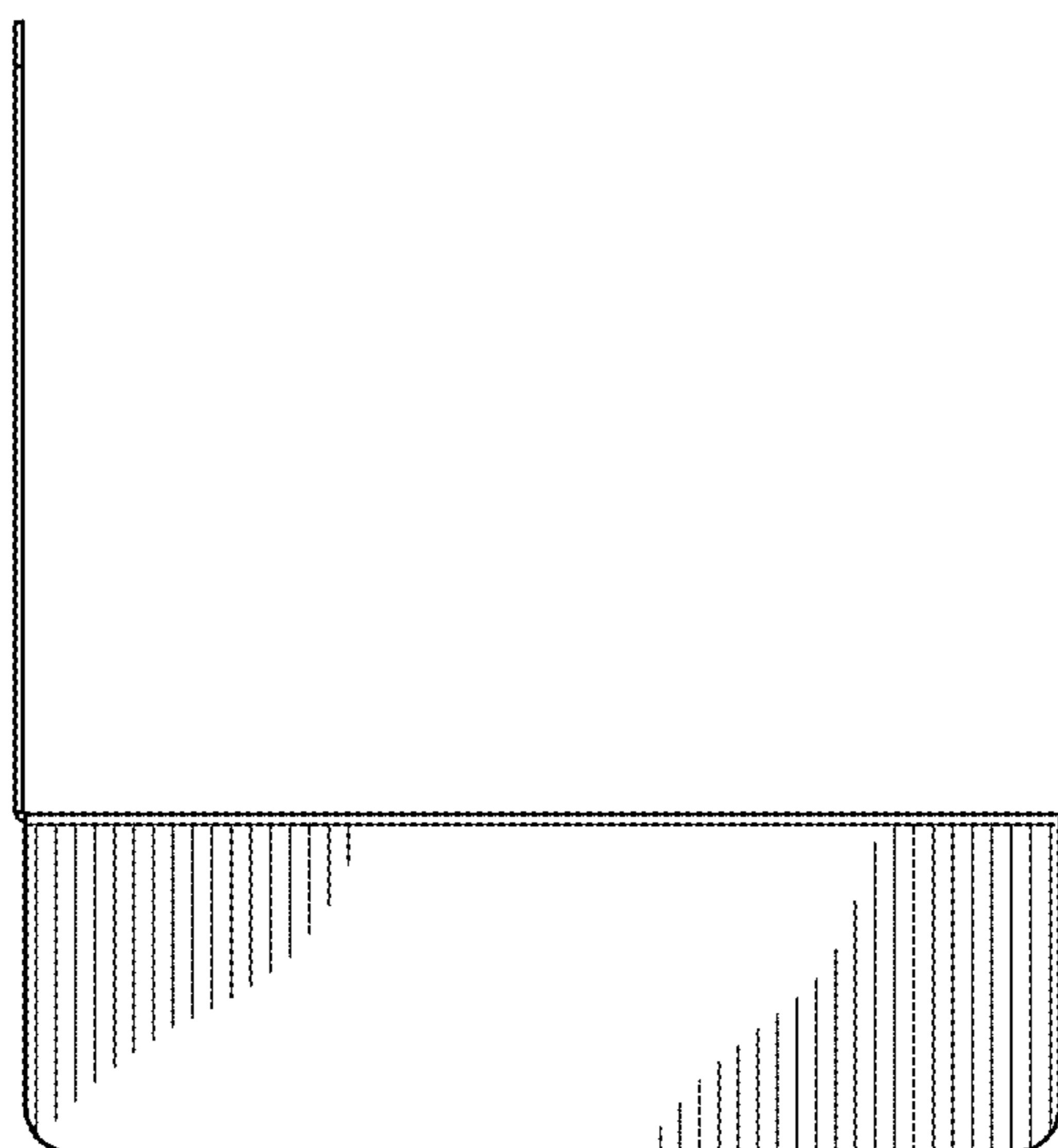


FIG. 4

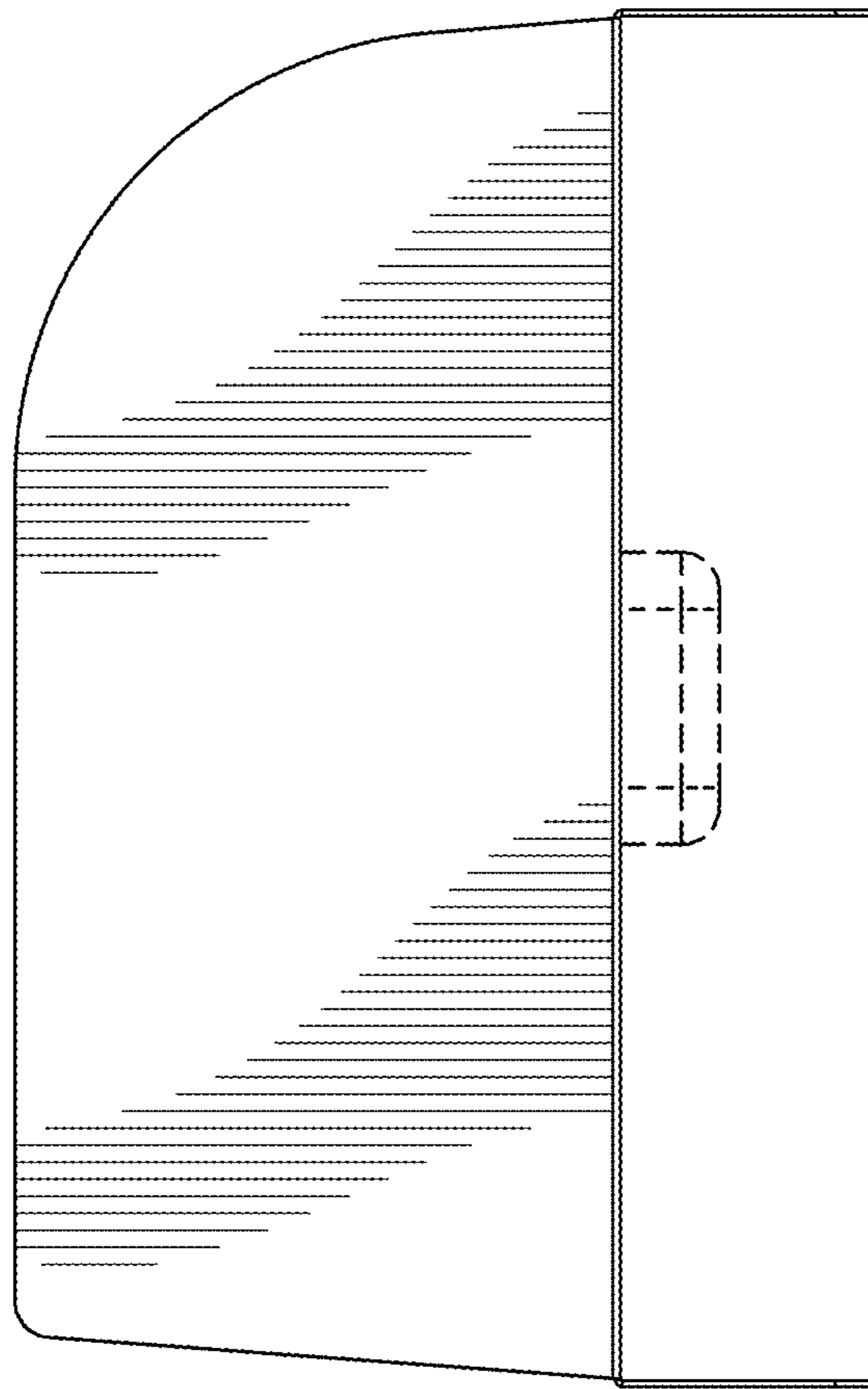


FIG. 5

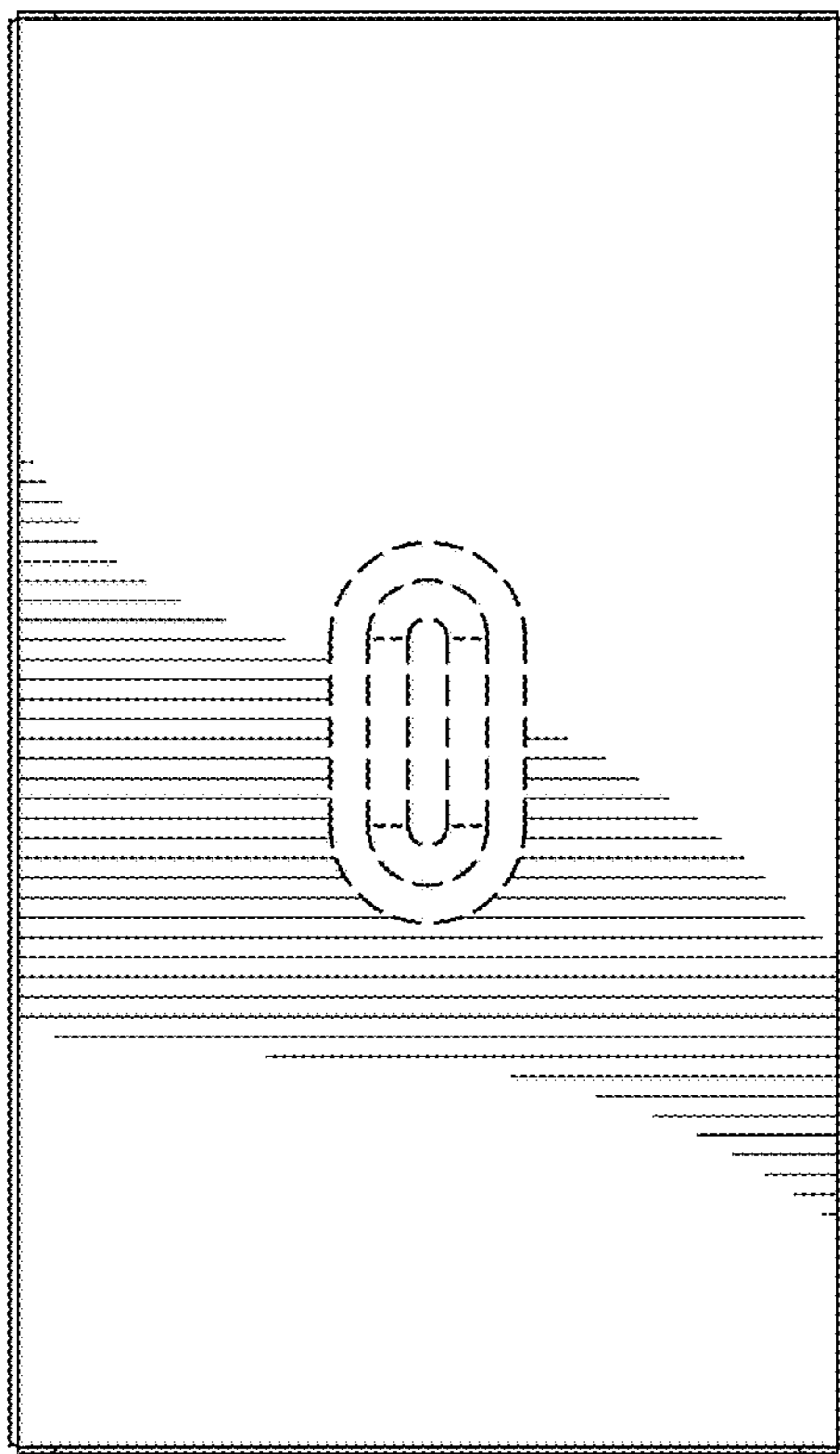


FIG. 6

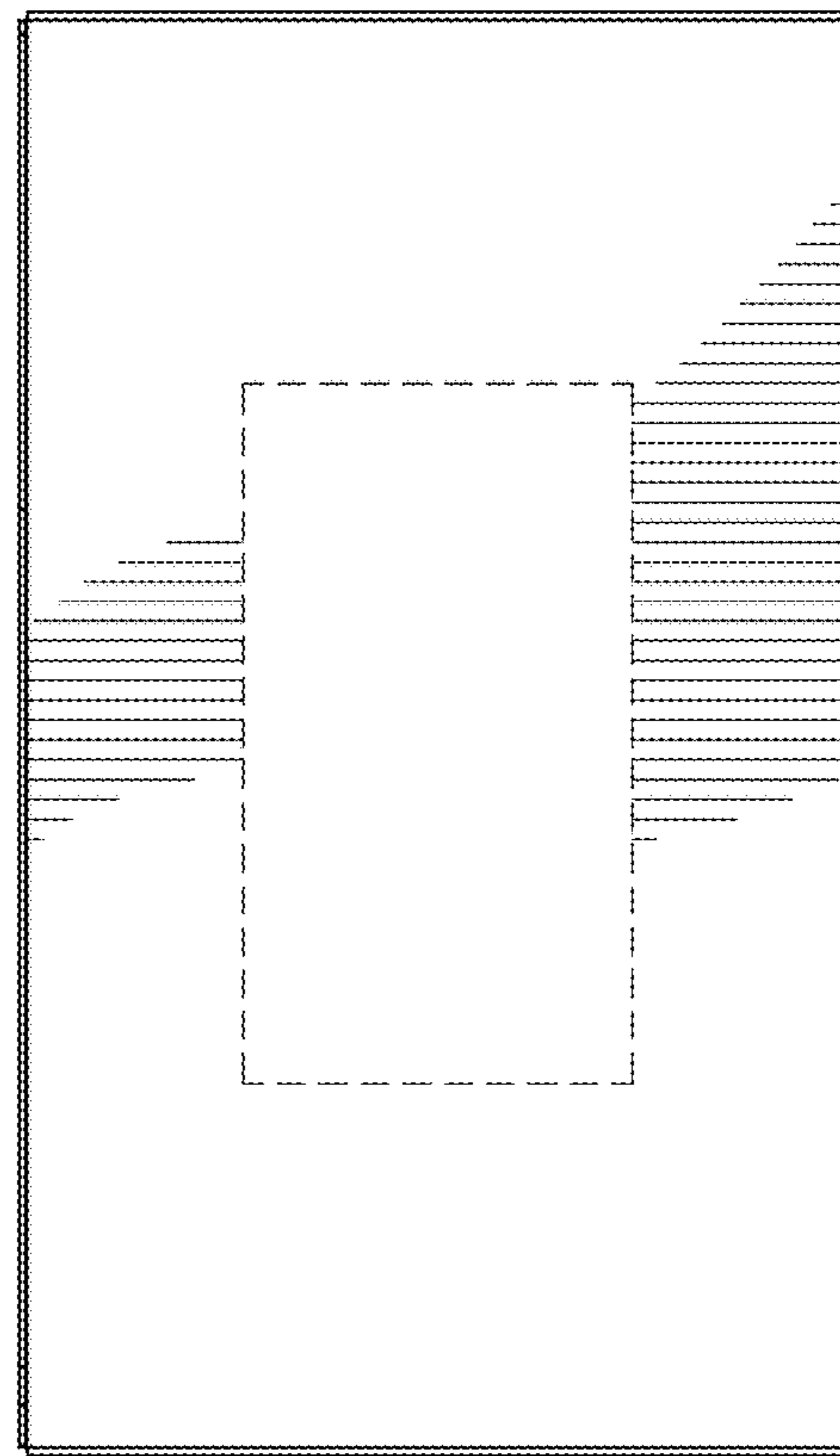


FIG. 7

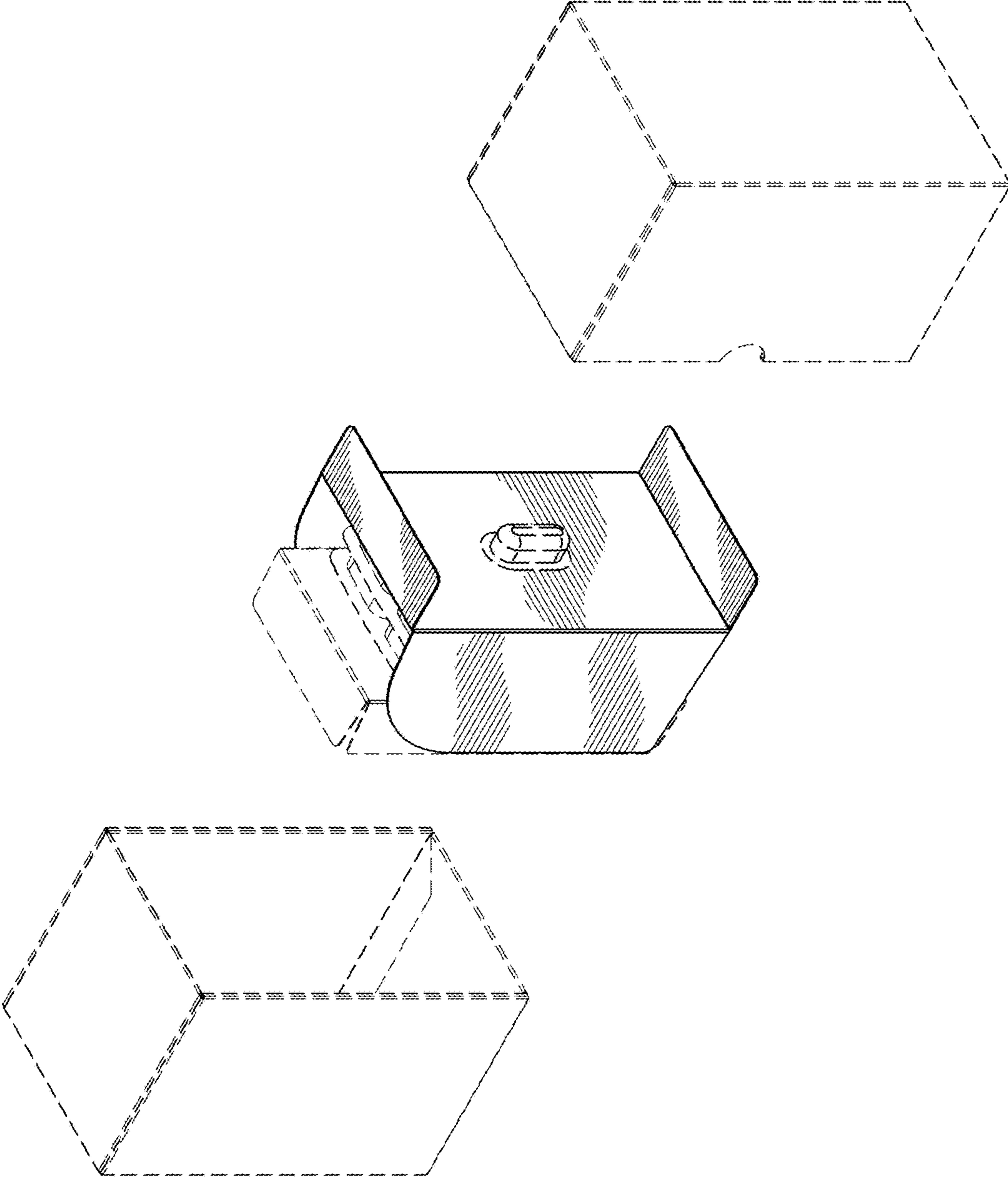


FIG. 8

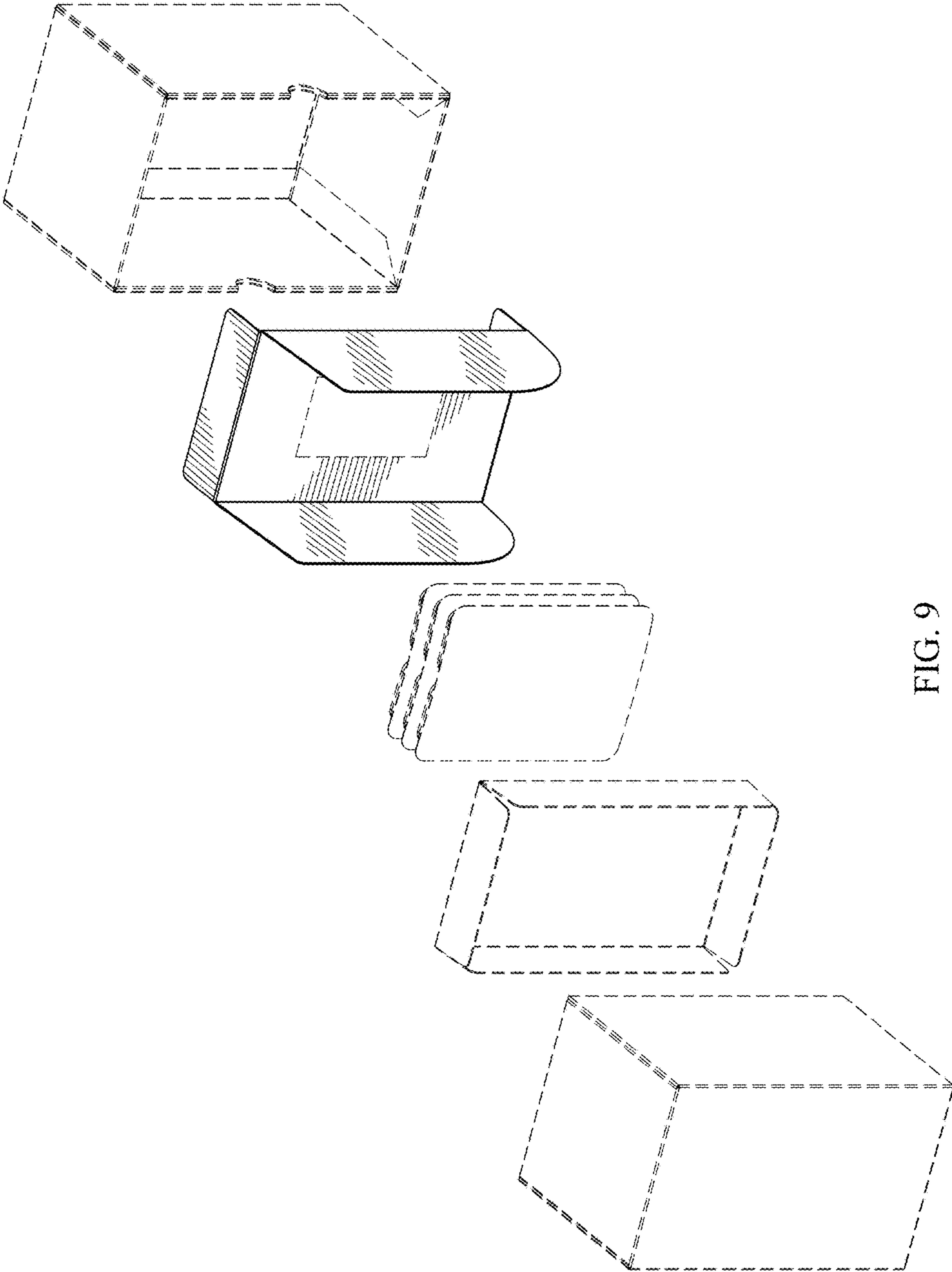


FIG. 9



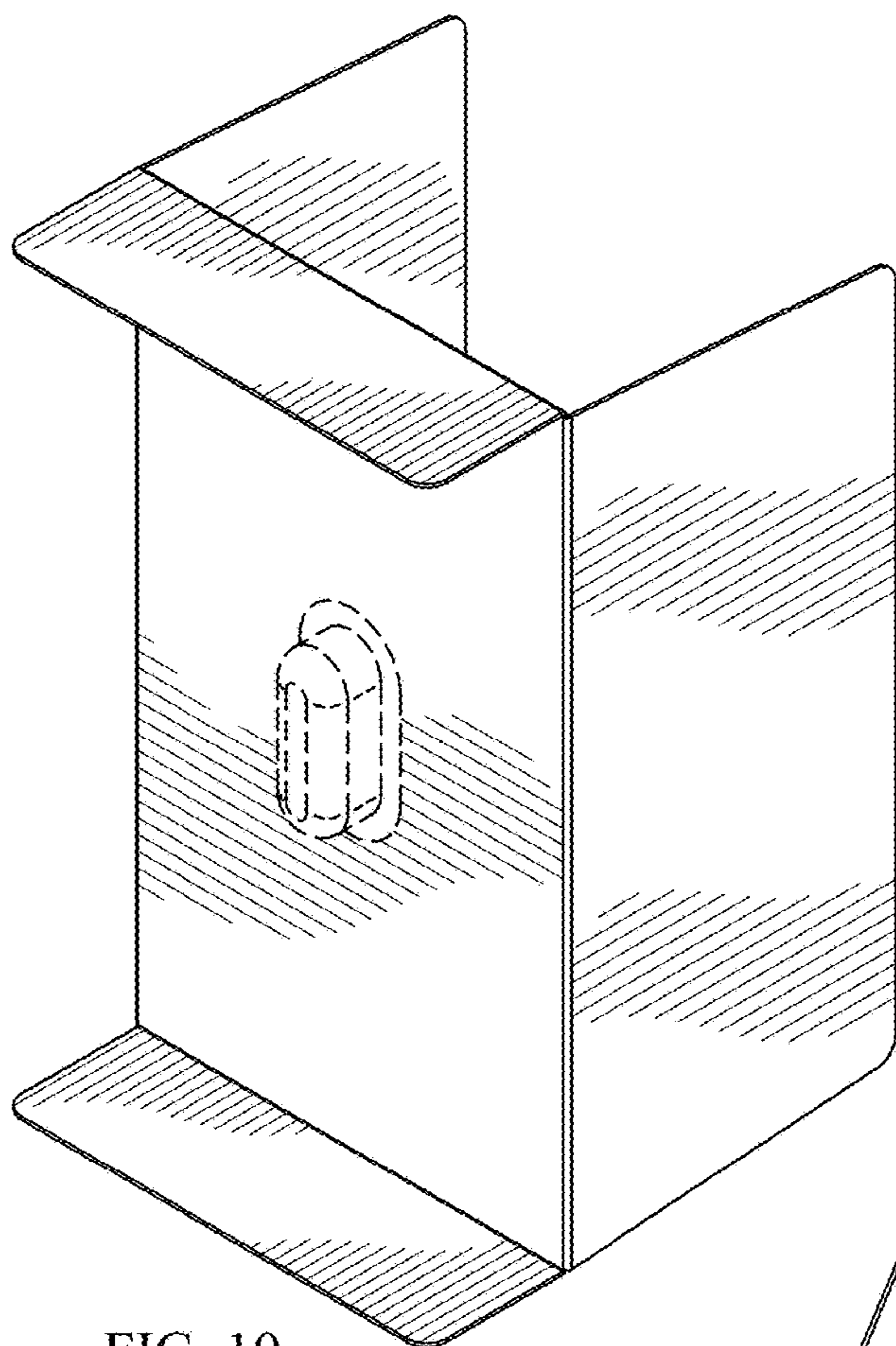


FIG. 10

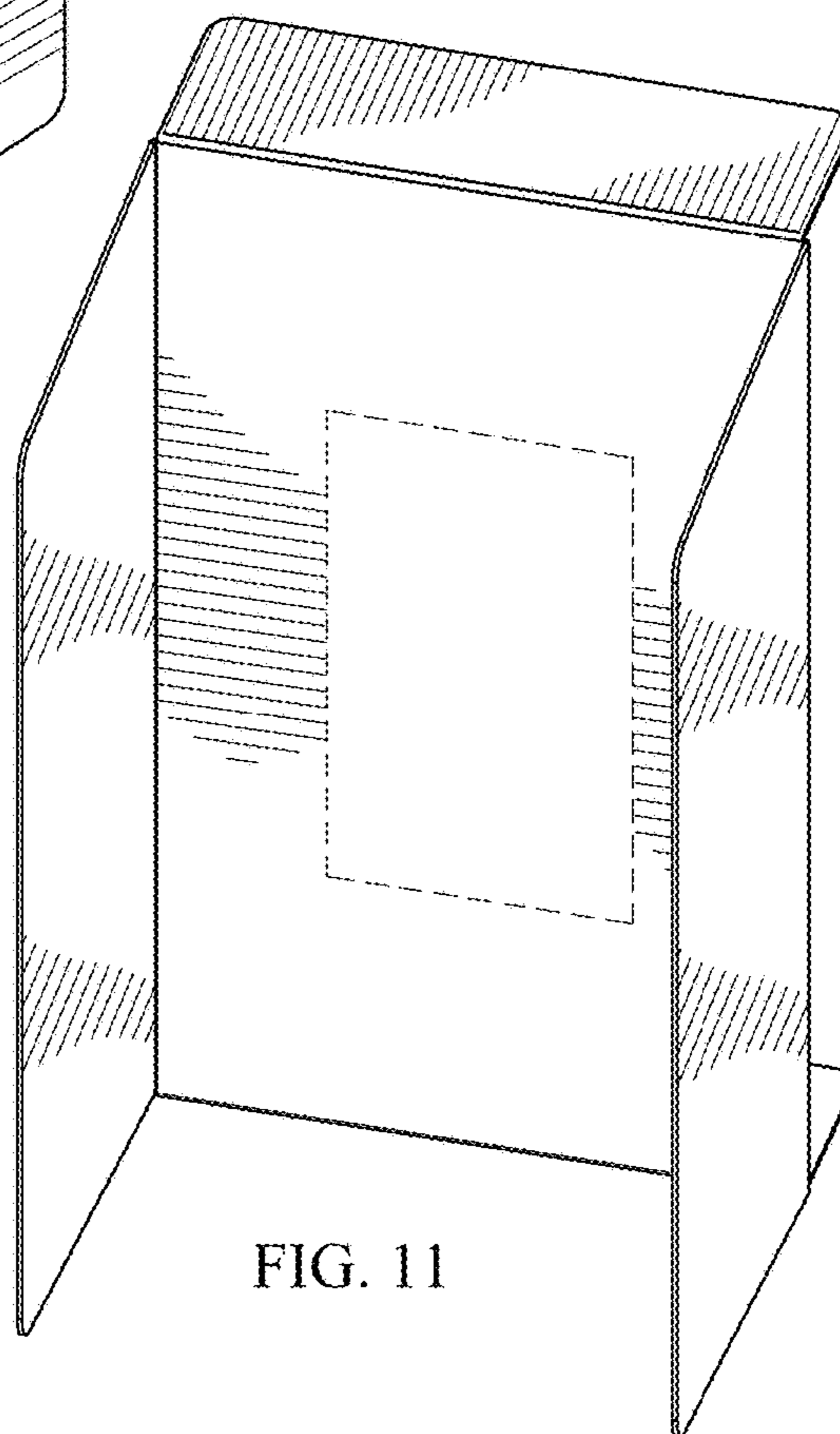


FIG. 11

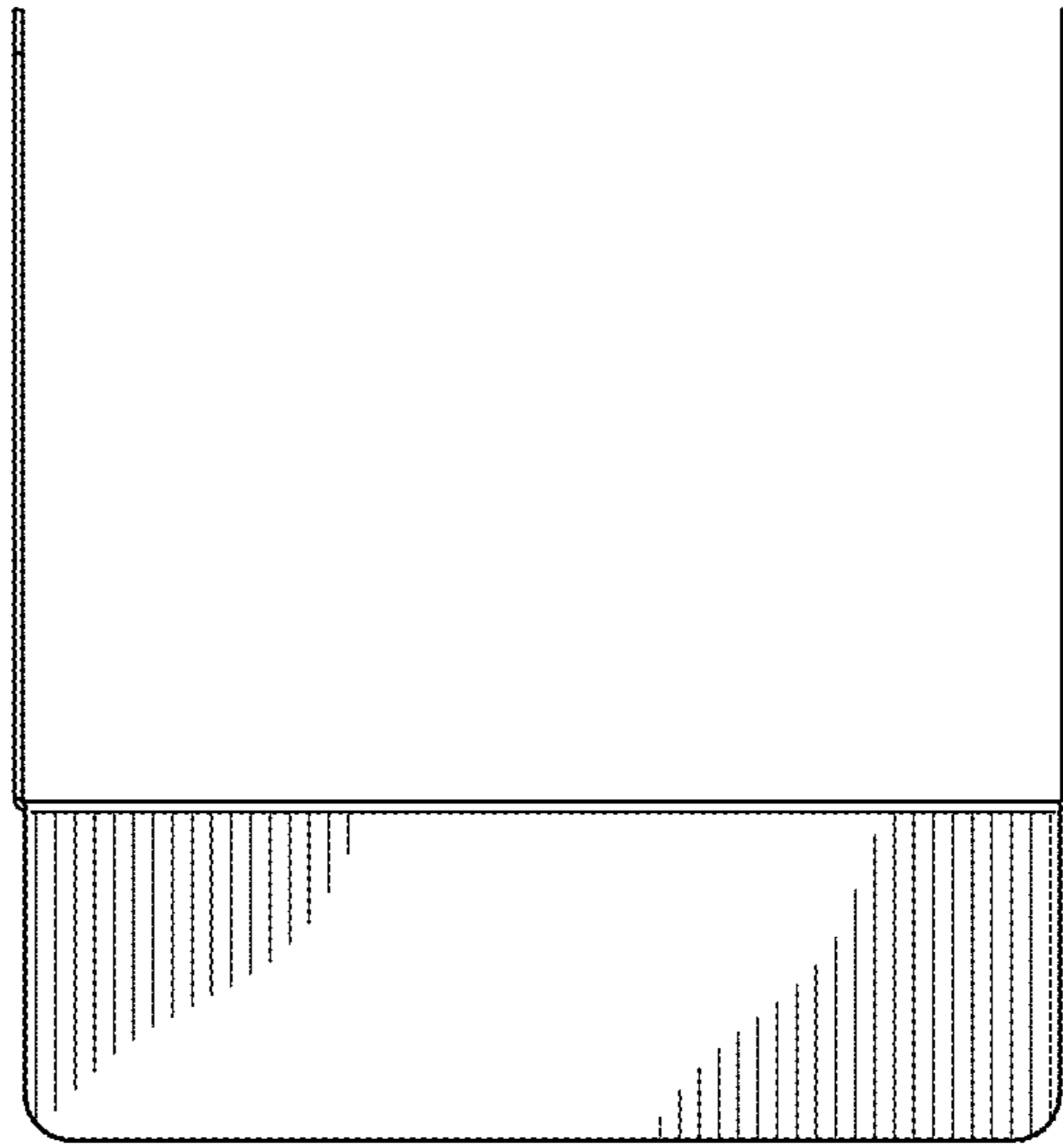


FIG. 12

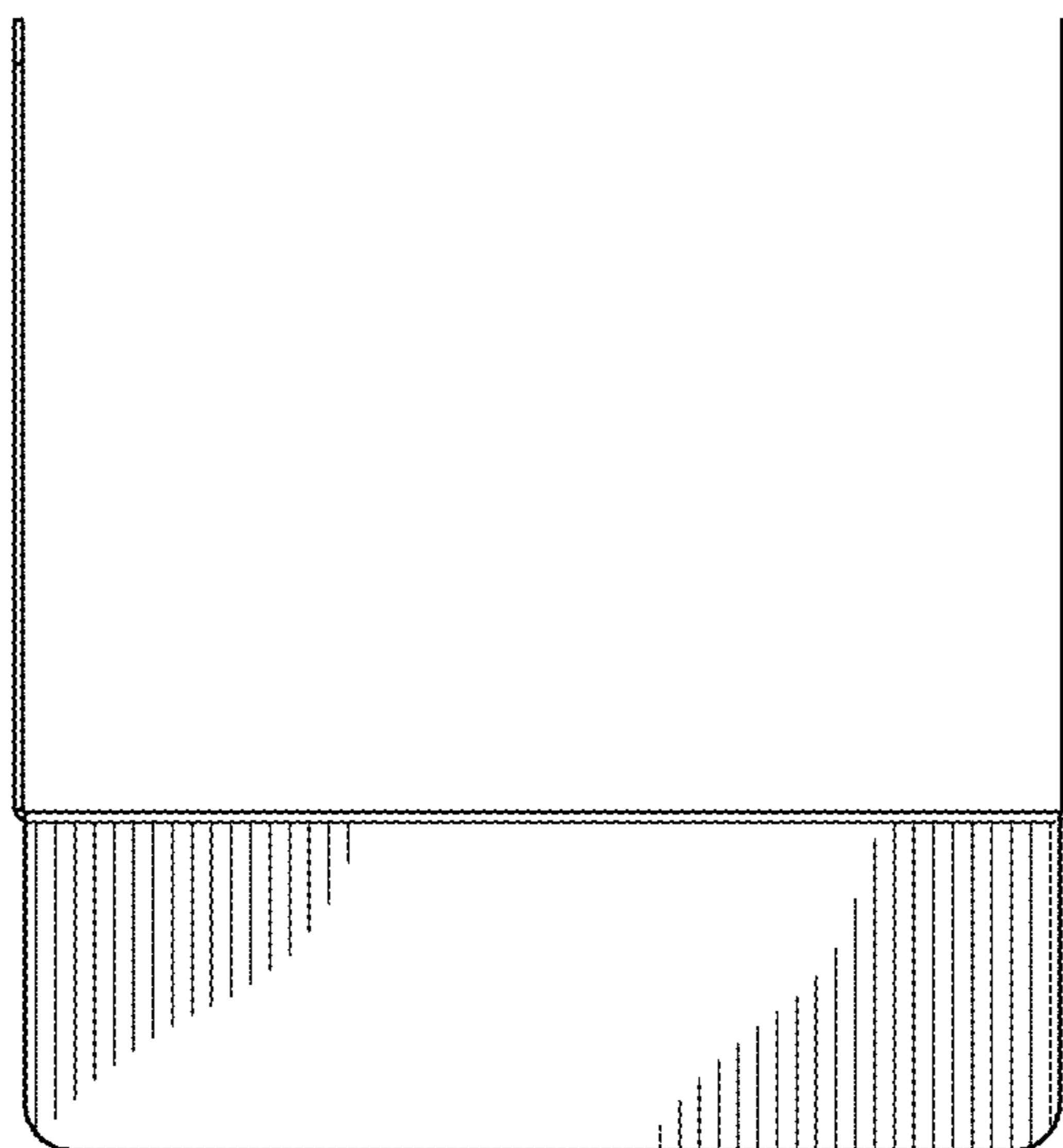


FIG. 13

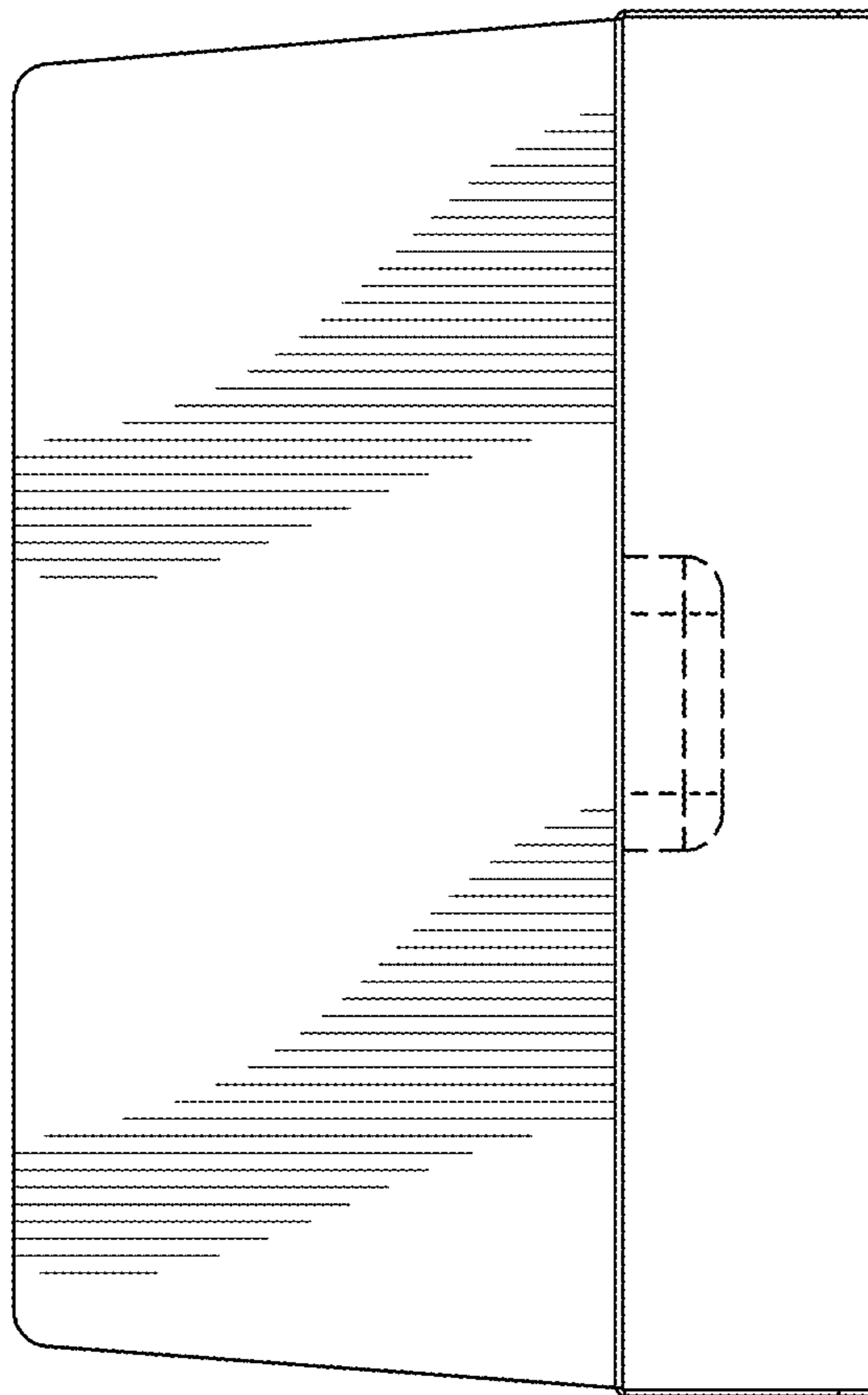


FIG. 14

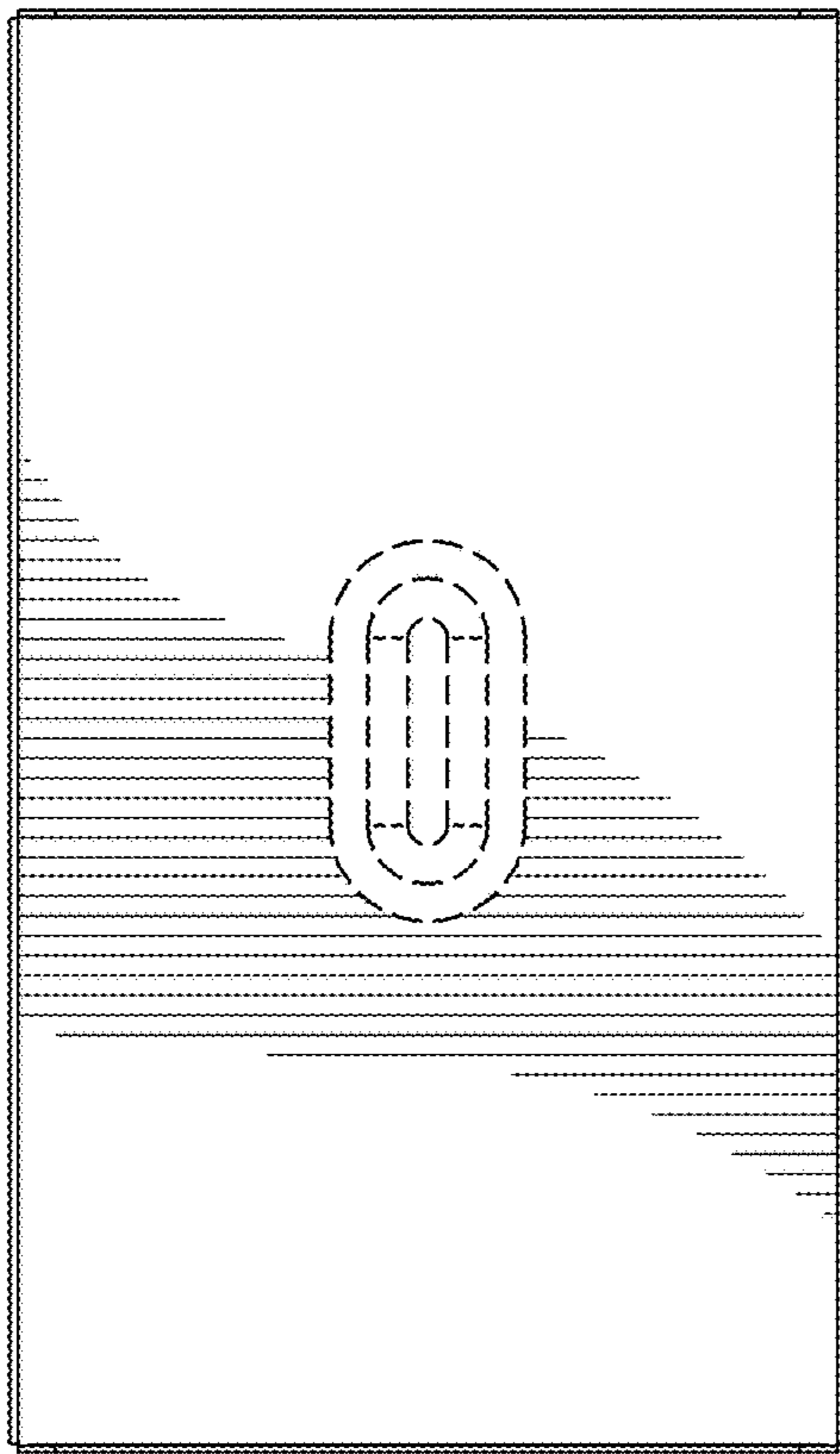


FIG. 15

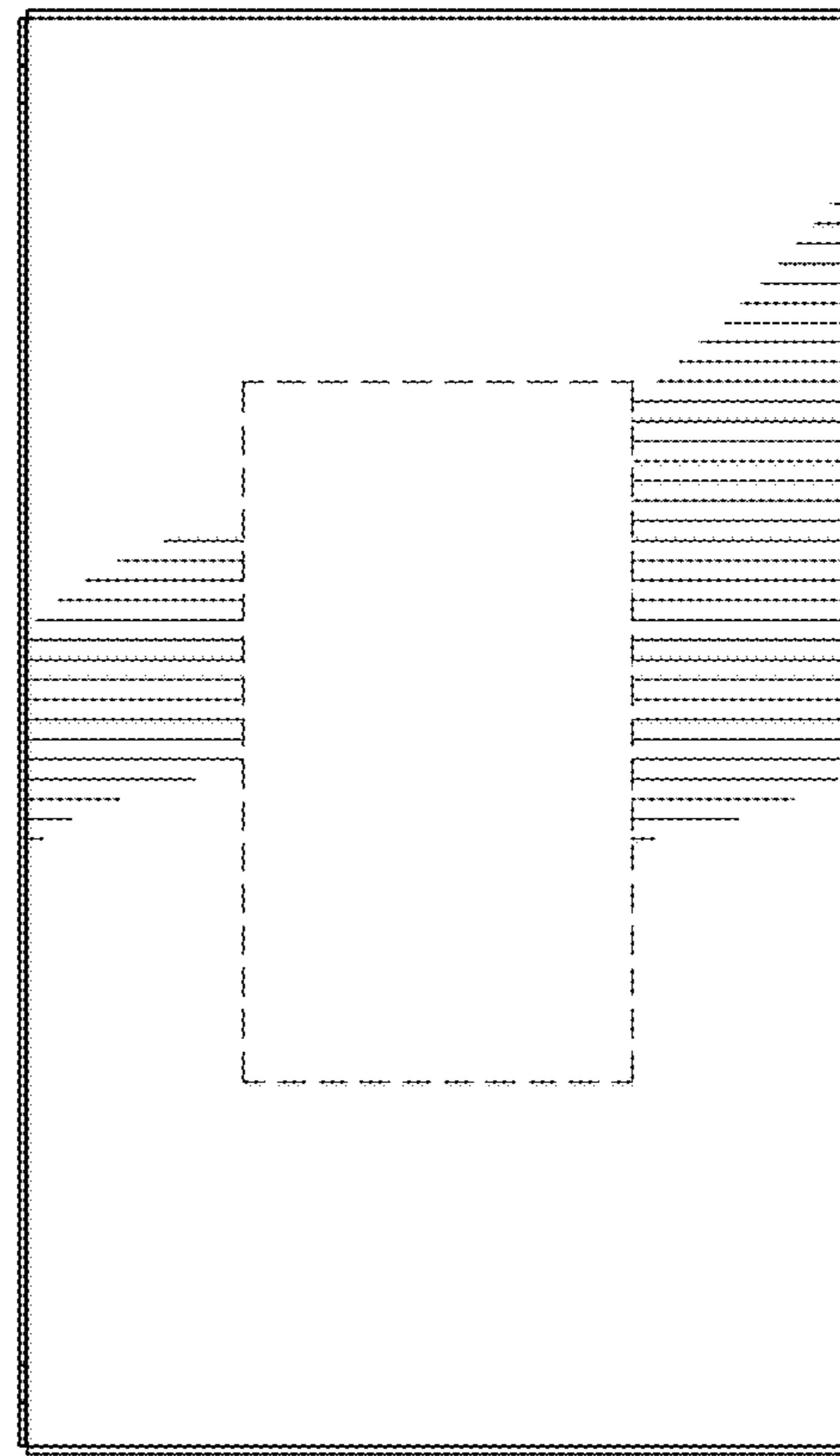


FIG. 16