



US00D849537S

(12) **United States Design Patent**
Wallwey et al.

(10) **Patent No.:** **US D849,537 S**
(45) **Date of Patent:** **** May 28, 2019**

(54) **SCOOP HOLDER**

(71) Applicants: **Dean W. Wallwey**, Aurora, CO (US);
Marjorie A. Wallwey, Aurora, CO
(US); **Blake St. Clair**, Littleton, CO
(US)

(72) Inventors: **Dean W. Wallwey**, Aurora, CO (US);
Marjorie A. Wallwey, Aurora, CO
(US); **Blake St. Clair**, Littleton, CO
(US)

(**) Term: **15 Years**

(21) Appl. No.: **29/638,250**

(22) Filed: **Feb. 26, 2018**

(51) **LOC (11) Cl.** **09-07**

(52) **U.S. Cl.**
USPC **D9/455**

(58) **Field of Classification Search**
USPC D9/414, 416, 425, 434, 435, 436, 438,
D9/439, 440, 442, 443, 446-450,
D9/452-457, 499, 503-505, 682, 685,
D9/686; D7/387, 391, 392, 392.1, 393,
D7/394, 396.1-396.4, 401.1, 503-505,
D7/509-511, 538, 900, 601, 637;
D3/201, 202, 203.2, 318; D28/91, 91.1
CPC .. A61J 1/00; A61J 1/1412; B65D 1/00; B65D
1/02; B65D 1/10; B65D 1/46; B65D
2585/56; B65D 2585/545; B65D 41/00;
B65D 41/38; B65D 41/56; B65D 41/62;
B65D 47/00; B65D 47/06; B65D 47/08;
B65D 2543/00046; B65D 2543/00092;
B65D 2543/00296; B65D 5/46; B65D
2251/00

See application file for complete search history.

(56) **References Cited**

U.S. PATENT DOCUMENTS

D246,086 S * 10/1977 Graves D7/624.2
D276,292 S * 11/1984 Rivera D6/536

D336,005 S * 6/1993 Keup D7/313
5,613,660 A * 3/1997 Wyatt A47F 13/08
248/300
6,216,946 B1 * 4/2001 Cai B65D 3/24
220/738
6,578,807 B1 * 6/2003 Lipscomb A01K 1/0114
248/314
D508,200 S * 8/2005 Cagle D9/434
D585,224 S * 1/2009 Hwang D6/553
7,516,866 B2 * 4/2009 Brook B65D 17/166
220/212

(Continued)

Primary Examiner — Michael A. Pratt

Assistant Examiner — Wendy L Arminio

(74) *Attorney, Agent, or Firm* — Leyendecker & Lemire,
LLC

(57) **CLAIM**

The ornamental design for a scoop holder, as shown and described.

DESCRIPTION

FIG. 1 is a front right perspective view of a scoop holder according to the present invention.

FIG. 2 is a top view of the scoop holder according to the present invention.

FIG. 3 is a bottom view of the scoop holder according to the present invention.

FIG. 4 is a right-side view of the scoop holder according to the present invention.

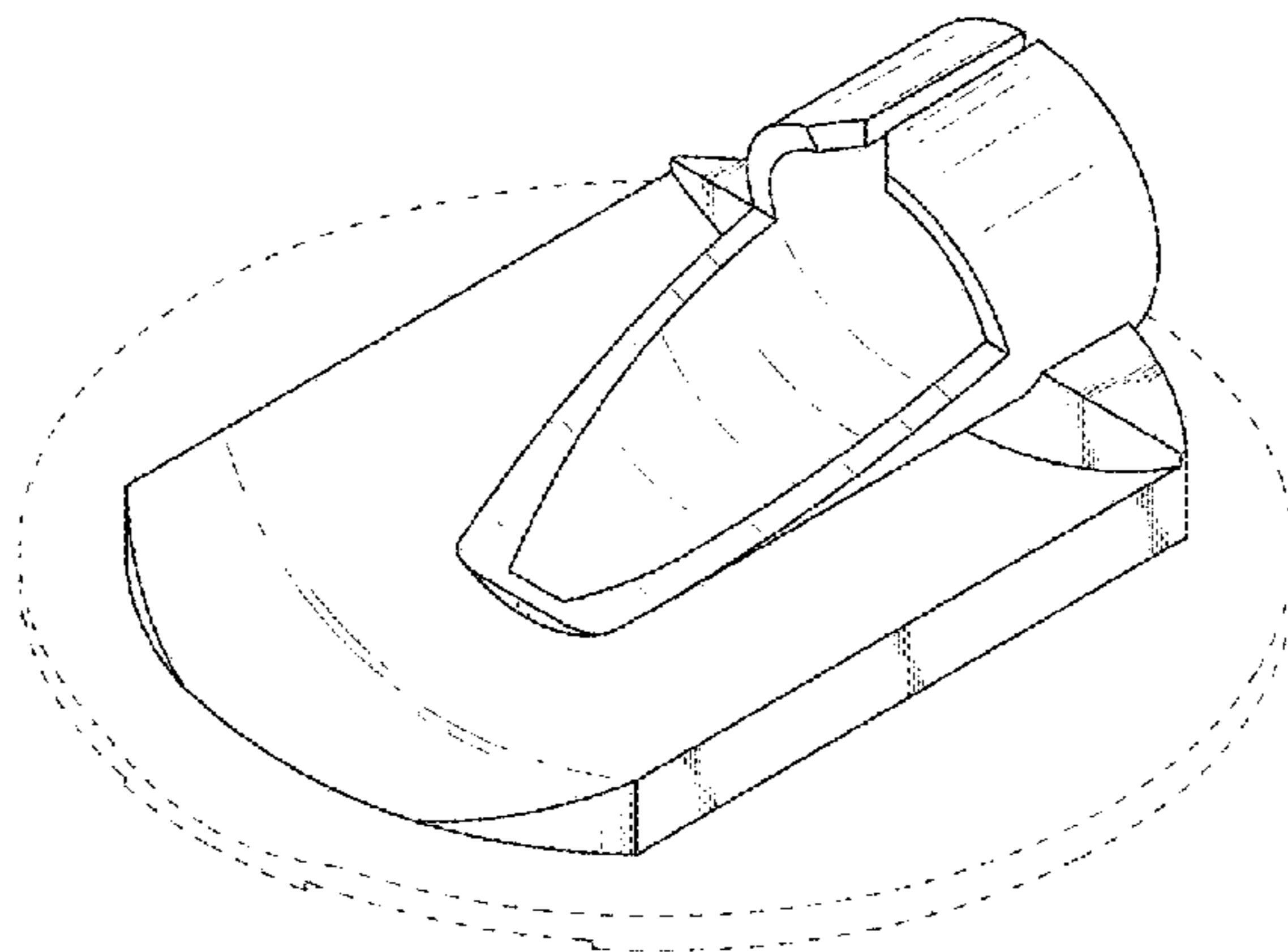
FIG. 5 is a left-side view of the scoop holder according to the present invention.

FIG. 6 is a front view of the scoop holder according to the present invention; and,

FIG. 7 is a rear view of the scoop holder according to the present invention.

The broken lines showing a base for the scoop holder depict environmental structure and forms no part of the claimed design.

1 Claim, 7 Drawing Sheets



(56)

References Cited

U.S. PATENT DOCUMENTS

D624,406 S *	9/2010	Cronican	D9/434
D704,949 S *	5/2014	Rodriguez	D6/513
D722,835 S *	2/2015	Dupont	D7/637
2007/0079762 A1 *	4/2007	Stephanos	A01K 7/00 119/74

* cited by examiner

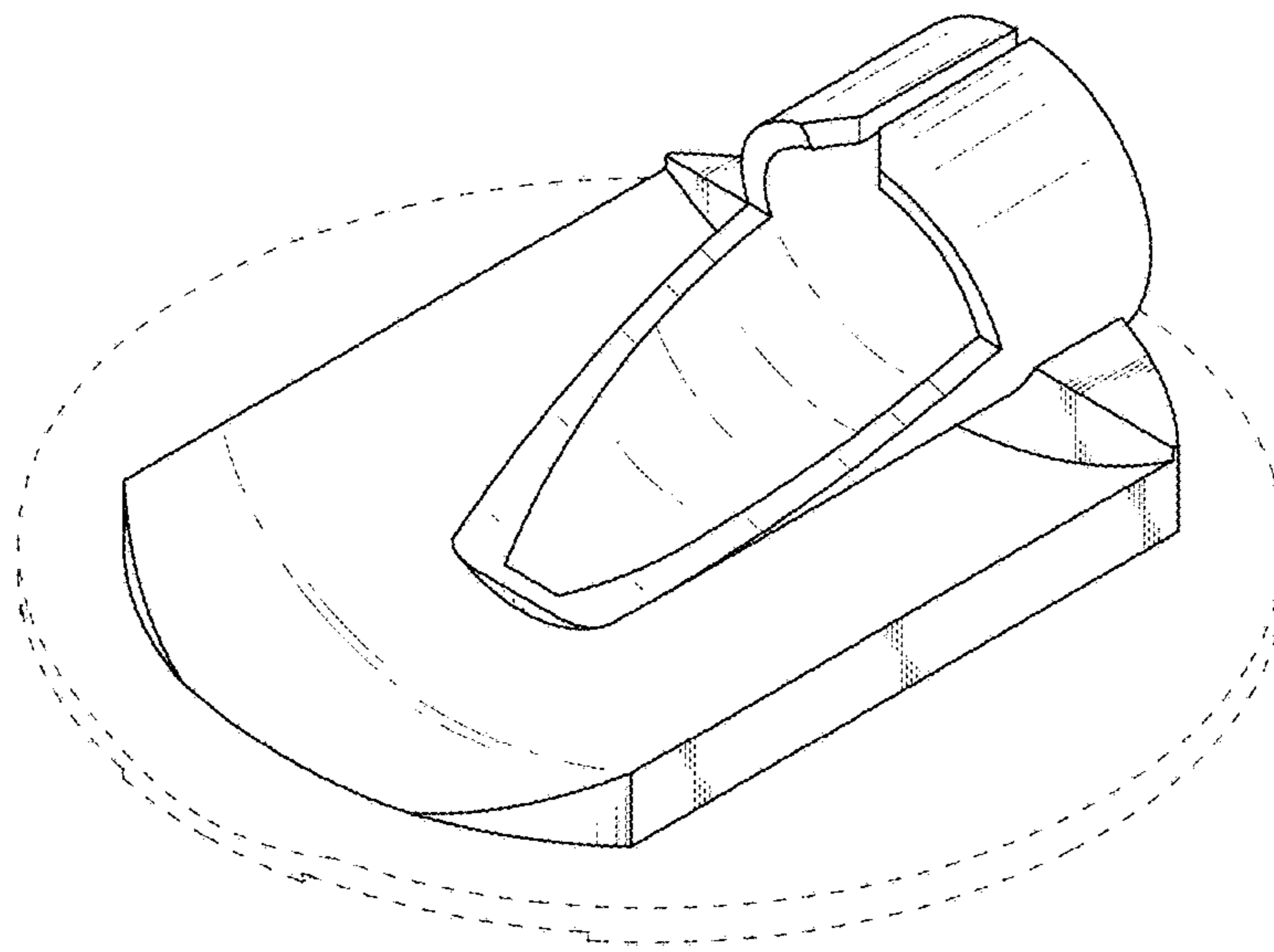


FIG. 1

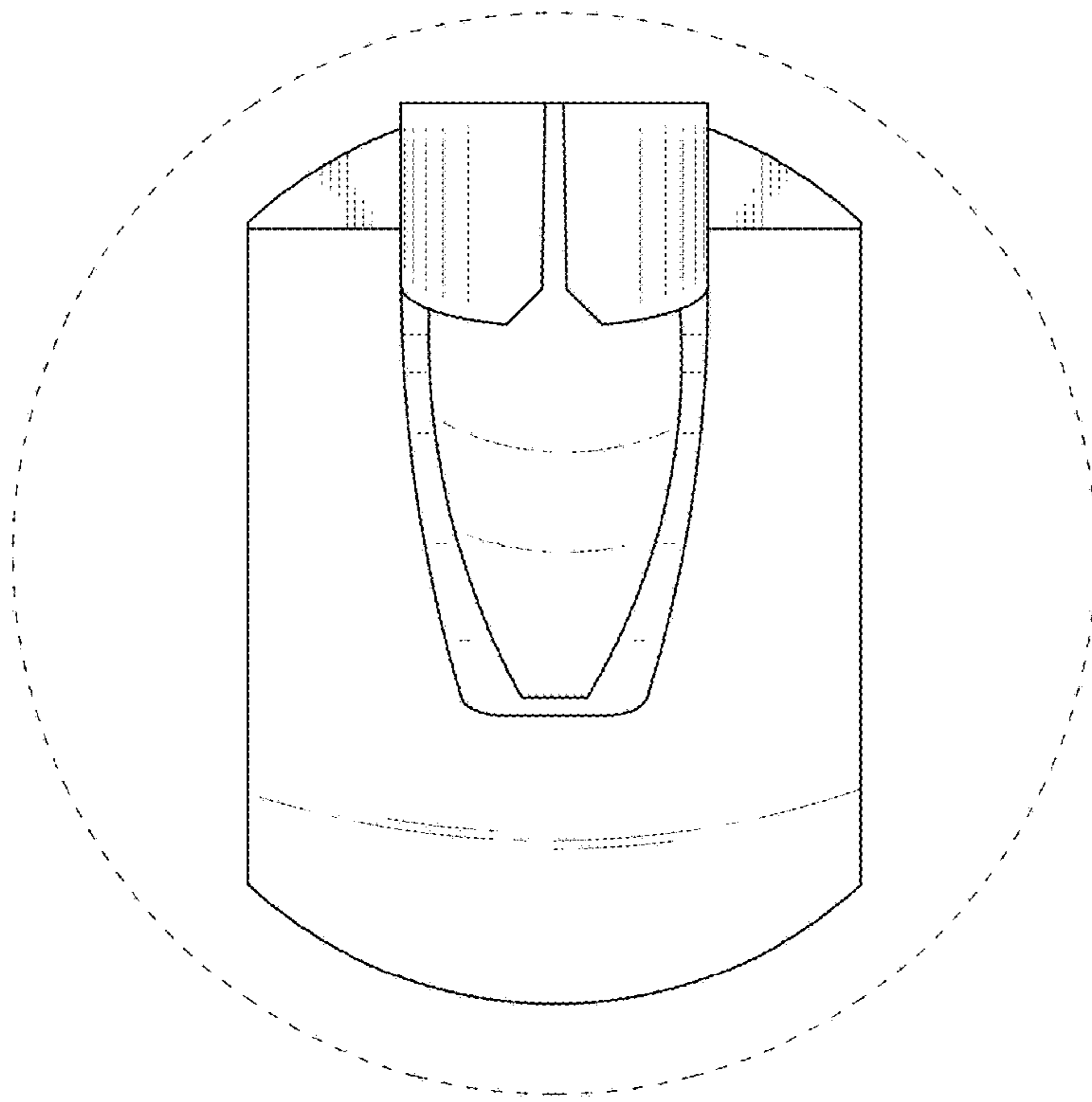


FIG. 2

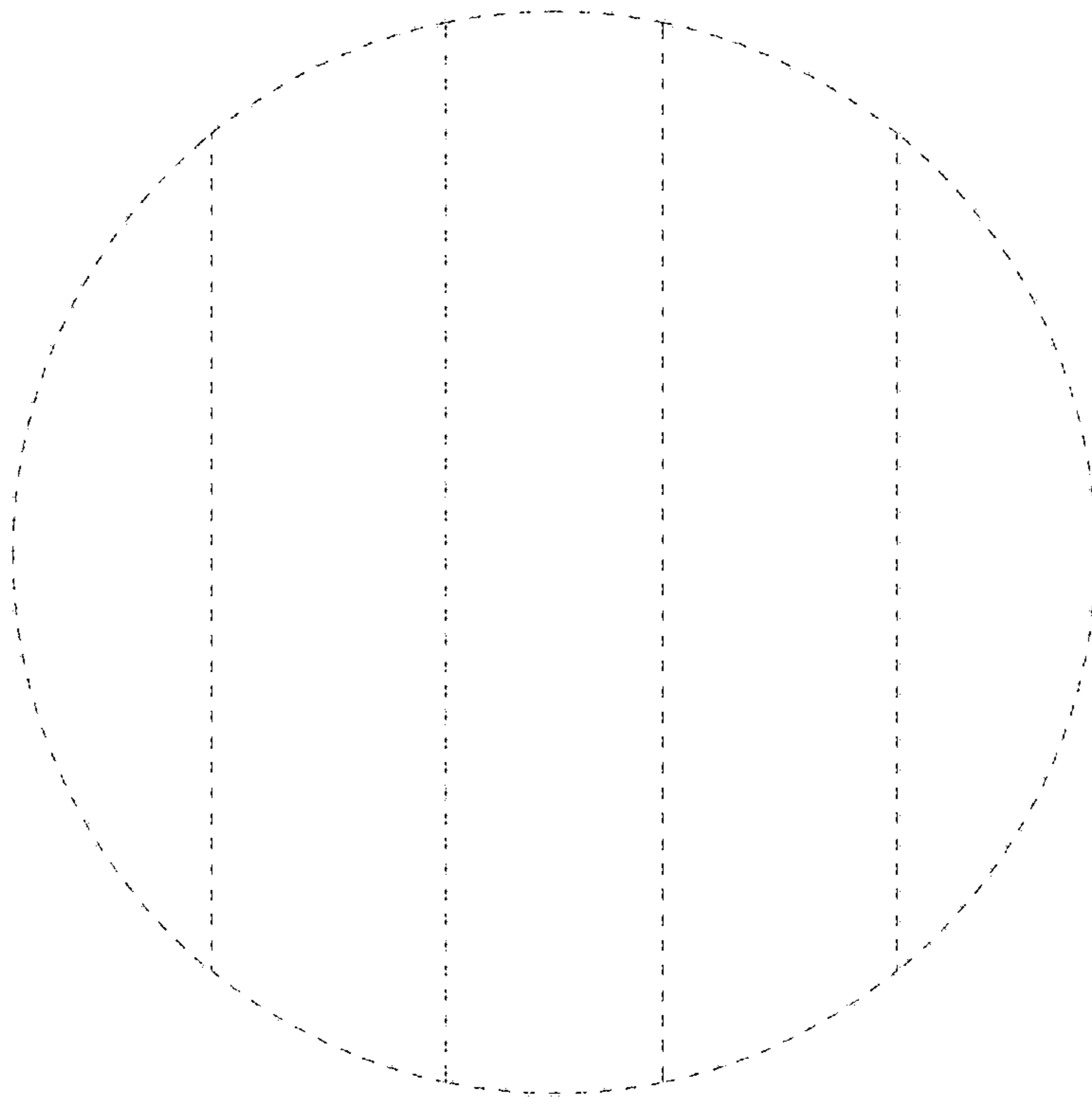


FIG. 3

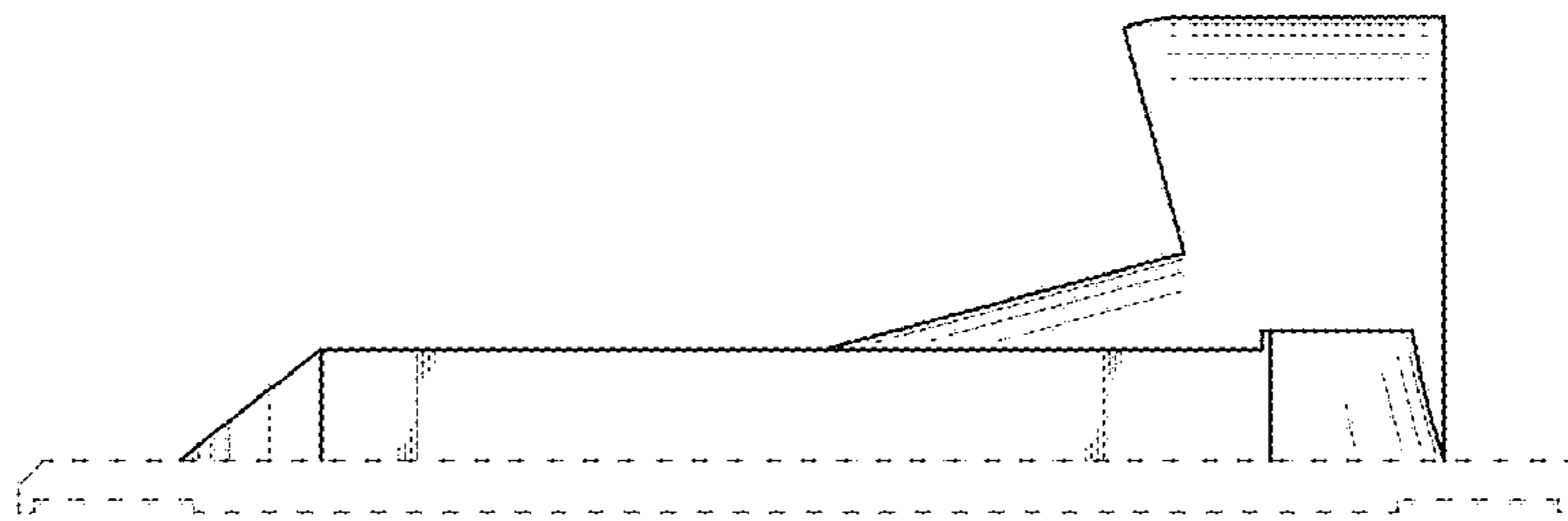


FIG. 4

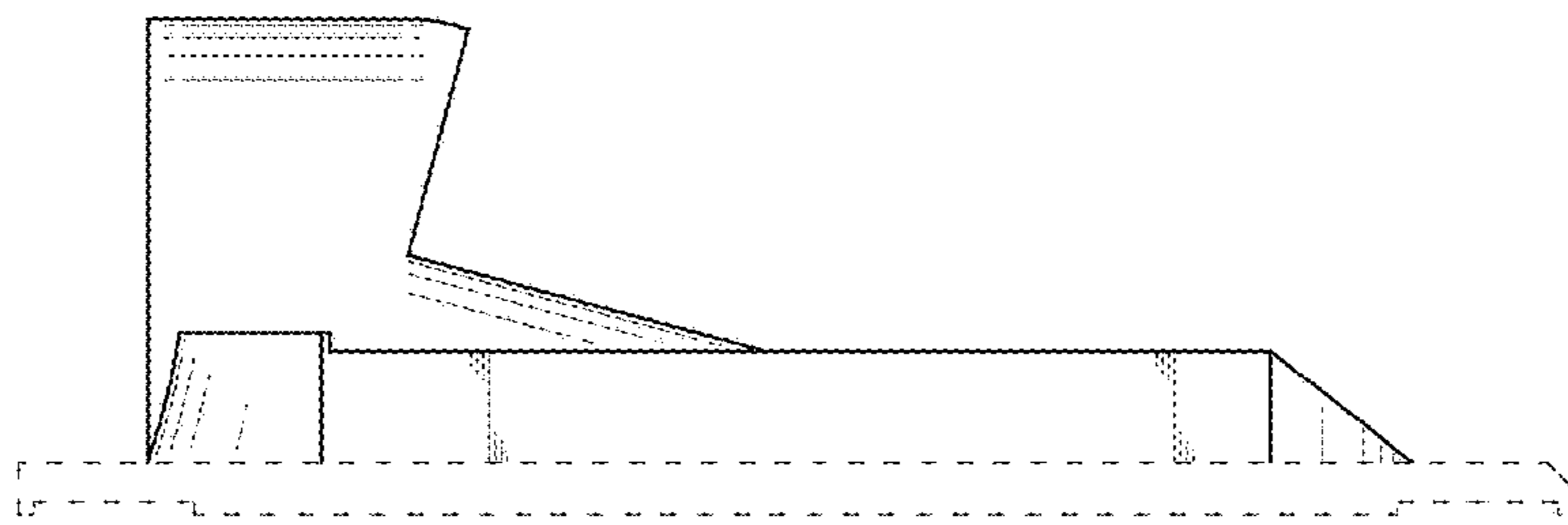


FIG. 5

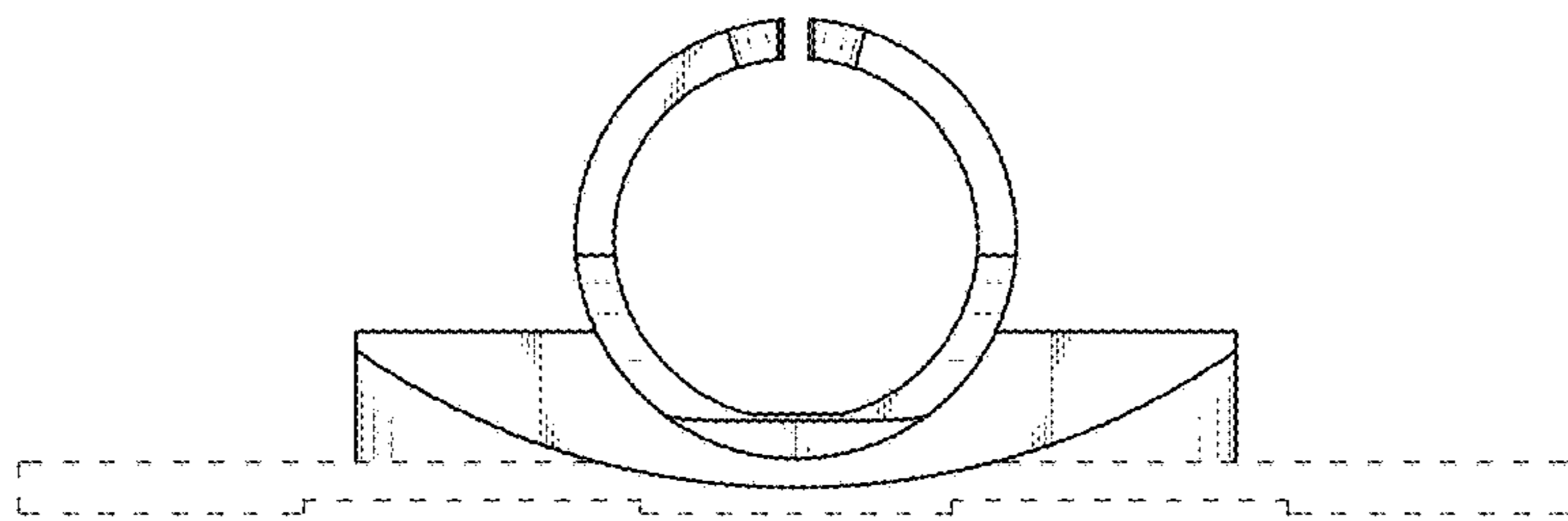


FIG. 6

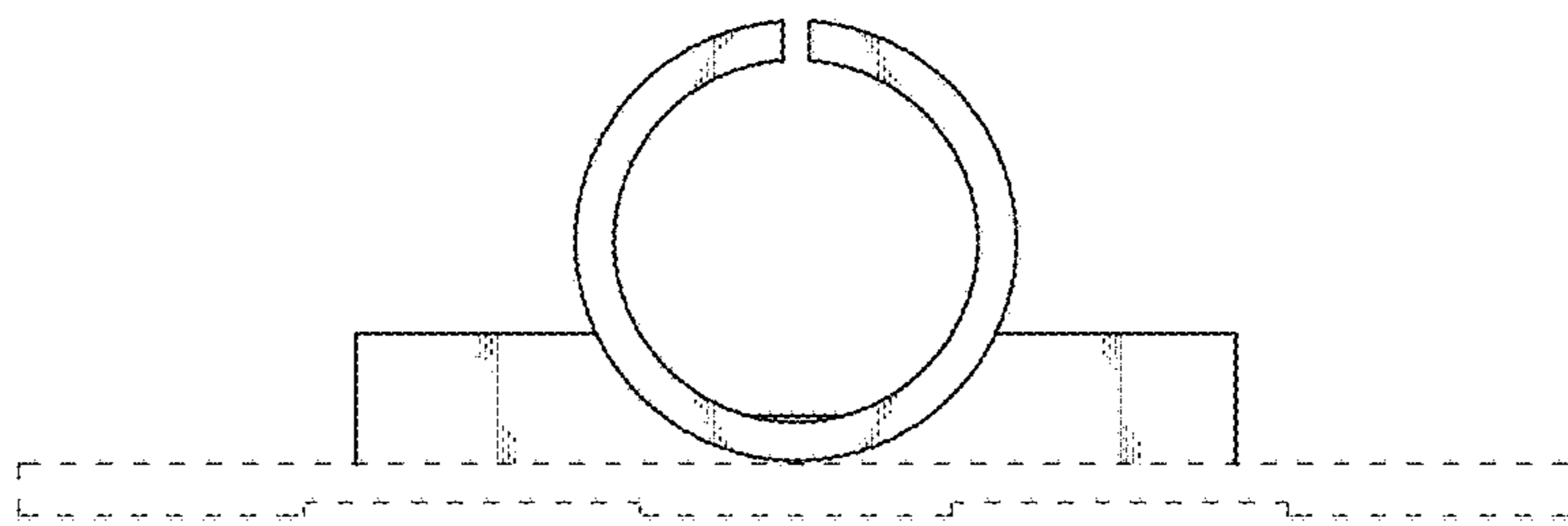


FIG. 7