



US00D849535S

(12) **United States Design Patent**
Spencer

(10) **Patent No.:** **US D849,535 S**

(45) **Date of Patent:** **** May 28, 2019**

(54) **CONICAL-SHAPED BOTTLE CAP**

(71) Applicant: **P&P International, Inc.**, Selma, CA
(US)

(72) Inventor: **William A. Spencer**, Fresno, CA (US)

(73) Assignee: **P&P International, Inc.**, Selma, CA
(US)

(**) Term: **15 Years**

(21) Appl. No.: **29/620,907**

(22) Filed: **Aug. 16, 2017**

(51) **LOC (11) Cl.** **09-07**

(52) **U.S. Cl.**
USPC **D9/453**

(58) **Field of Classification Search**
USPC D7/316, 392, 392.1, 396.2, 397, 510,
D7/533; D9/636, 640, 441, 451,
D9/434-436, 440, 443, 445, 447,
D9/452-454, 499; D8/300, 301, 305,
D8/310, 312
CPC B65D 41/00; B65D 41/38; B65D 41/56;
B65D 41/62; B65D 47/00; B65D 47/06;
B65D 47/08; B65D 2543/00046; B65D
2543/00092; B65D 2543/00296; B65D
51/28; B65D 21/0237; B65D 81/3205;
B60Q 7/005

See application file for complete search history.

(56) **References Cited**

U.S. PATENT DOCUMENTS

D19,855 S * 5/1890 Fisher D9/453
D19,861 S * 5/1890 Fisher D9/453
D96,814 S * 9/1935 Canaday D9/445
D133,643 S * 9/1942 Simmons D9/435
4,178,874 A * 12/1979 Berns G09F 21/04
116/28 R
D267,780 S * 2/1983 Walter D9/434

D306,978 S * 4/1990 Paulovich D9/447
D390,466 S * 2/1998 Mao D9/454
D435,791 S * 1/2001 Roy D9/447
D451,396 S * 12/2001 Johnson D9/530
D467,174 S * 12/2002 Mozes D9/435
D469,145 S * 1/2003 Underwood D21/834
D504,826 S * 5/2005 Ziegenhorn D9/724
D546,181 S * 7/2007 Biesecker D9/453

(Continued)

OTHER PUBLICATIONS

Planet of the Vapes. Vaping Home Brew Kit from the Plastic Bottles Company review by junglist. Mar. 5, 2018 [earliest online date], [site visited Aug. 29, 2018]. Available from Internet, <URL:https://www.planetofthevapes.co.uk/reviews/accessory/vaping-home-brew-kit-from-the-plastic-bottles-company.html>. (Year: 2018).*

(Continued)

Primary Examiner — George D. Kirschbaum

Assistant Examiner — Darcey E Heflin

(74) *Attorney, Agent, or Firm* — Baker Manock & Jensen, PC; Eric C. Cole

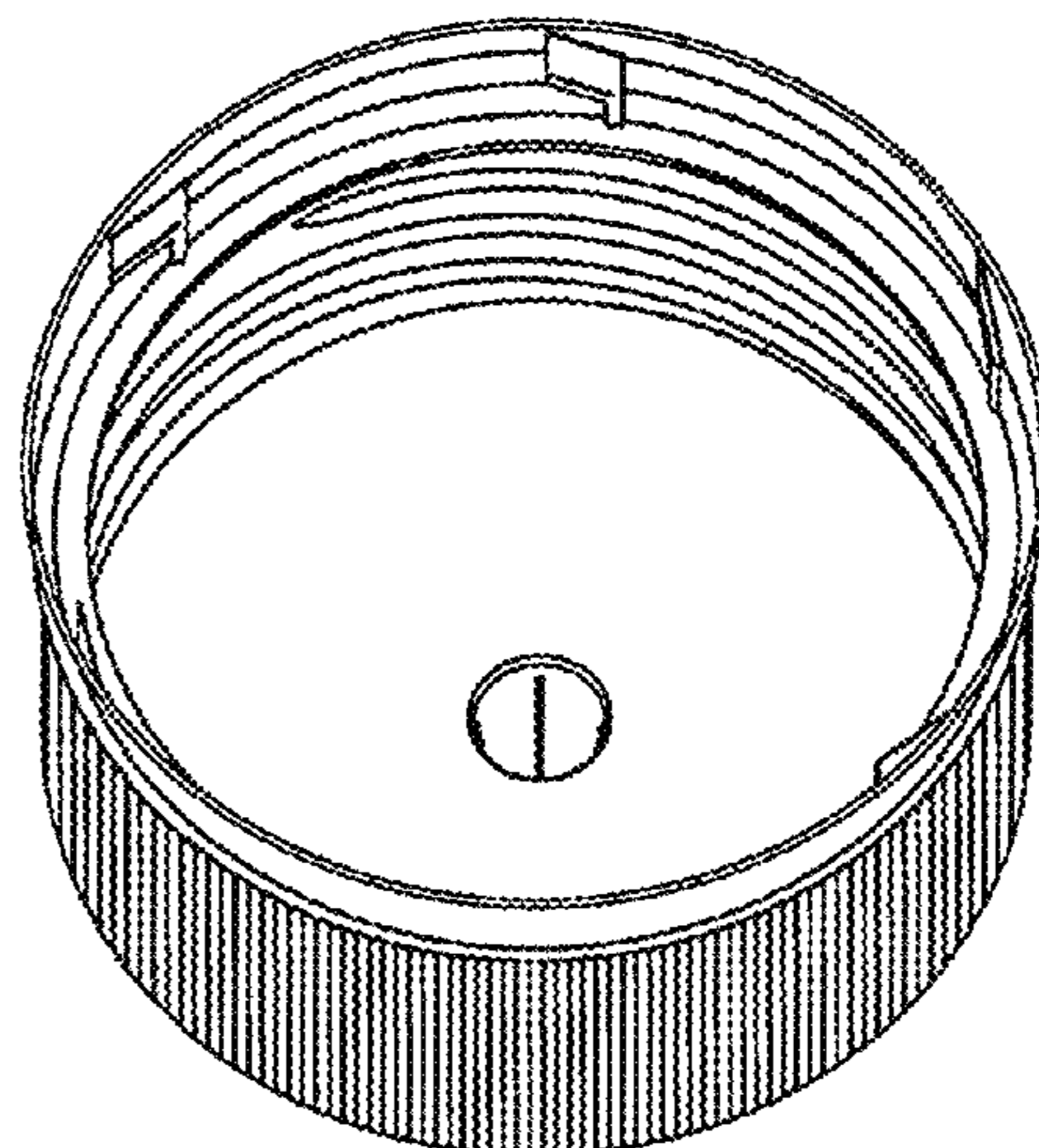
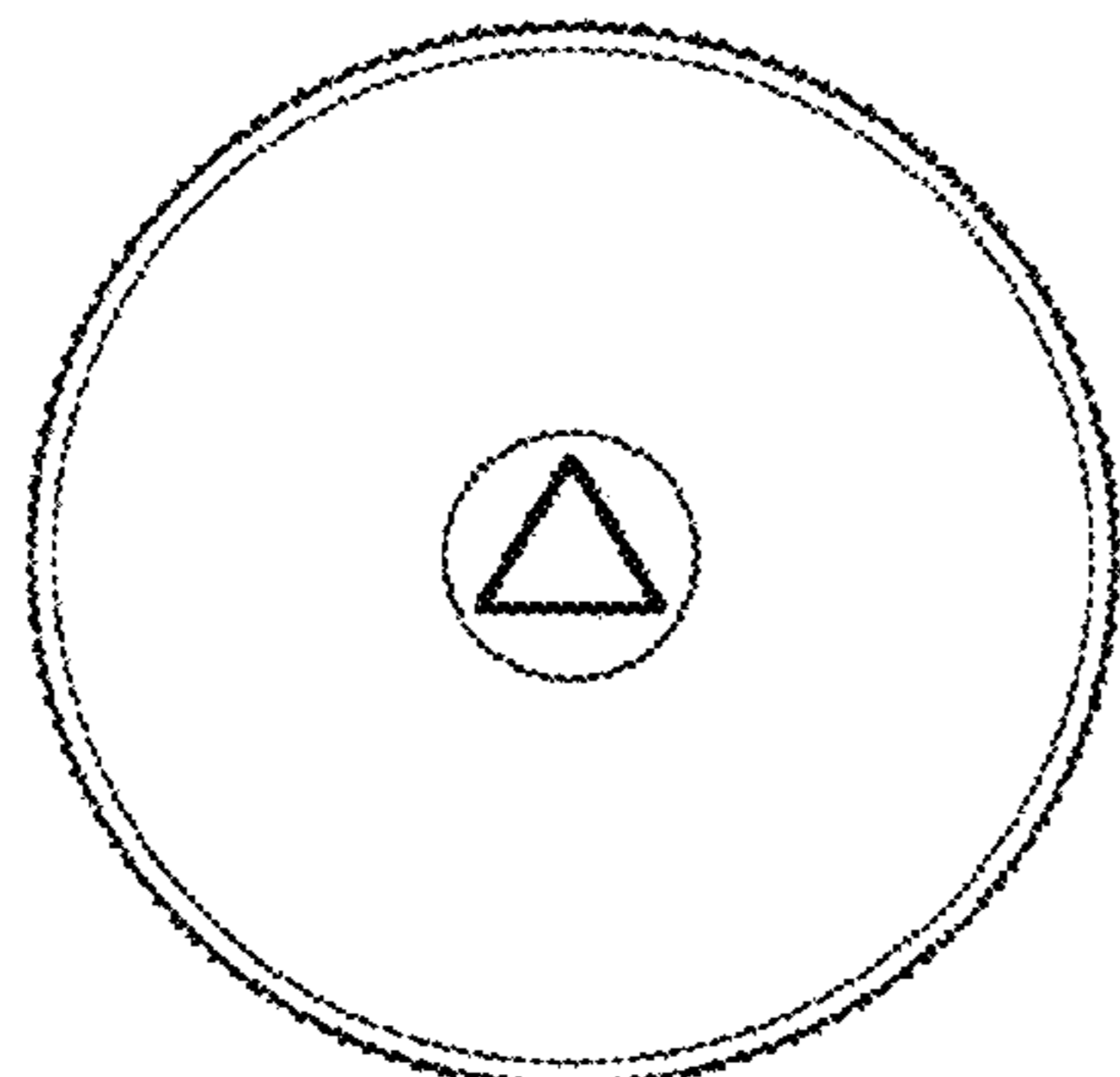
(57) **CLAIM**

The ornamental design for a conical-shaped bottle cap, as shown and described.

DESCRIPTION

FIG. 1 is a top plan view of a tent-shaped bottle cap.
FIG. 2 is a side view thereof.
FIG. 3 is a bottom plan view thereof.
FIG. 4 is a top perspective view thereof.
FIG. 5 is a bottom perspective view thereof.
FIG. 6 is a bottom perspective view thereof with inserted tip.
FIG. 7 is a top perspective view thereof; and,
FIG. 8 is a top perspective view thereof with bottle.
Any broken-line illustration in the drawing disclosure is not part of the design sought to be patented.

1 Claim, 4 Drawing Sheets



(56)

References Cited

U.S. PATENT DOCUMENTS

D562,625 S * 2/2008 Alikhan D7/392.1
D592,507 S * 5/2009 Wachman D9/443
D706,076 S * 6/2014 Andersen D7/392.1
D740,661 S * 10/2015 Vogel D9/436
D803,056 S * 11/2017 Pellerin D9/453
D815,944 S * 4/2018 Lind D9/447

OTHER PUBLICATIONS

Twitter. The Plastic Bottles Company. Apr. 19, 2018 [earliest online date], [site visited Aug. 29, 2018]. Available from Internet, <URL:<https://twitter.com/PlasticBottleCo/status/986968970489188352>>. (Year: 2018).*

* cited by examiner

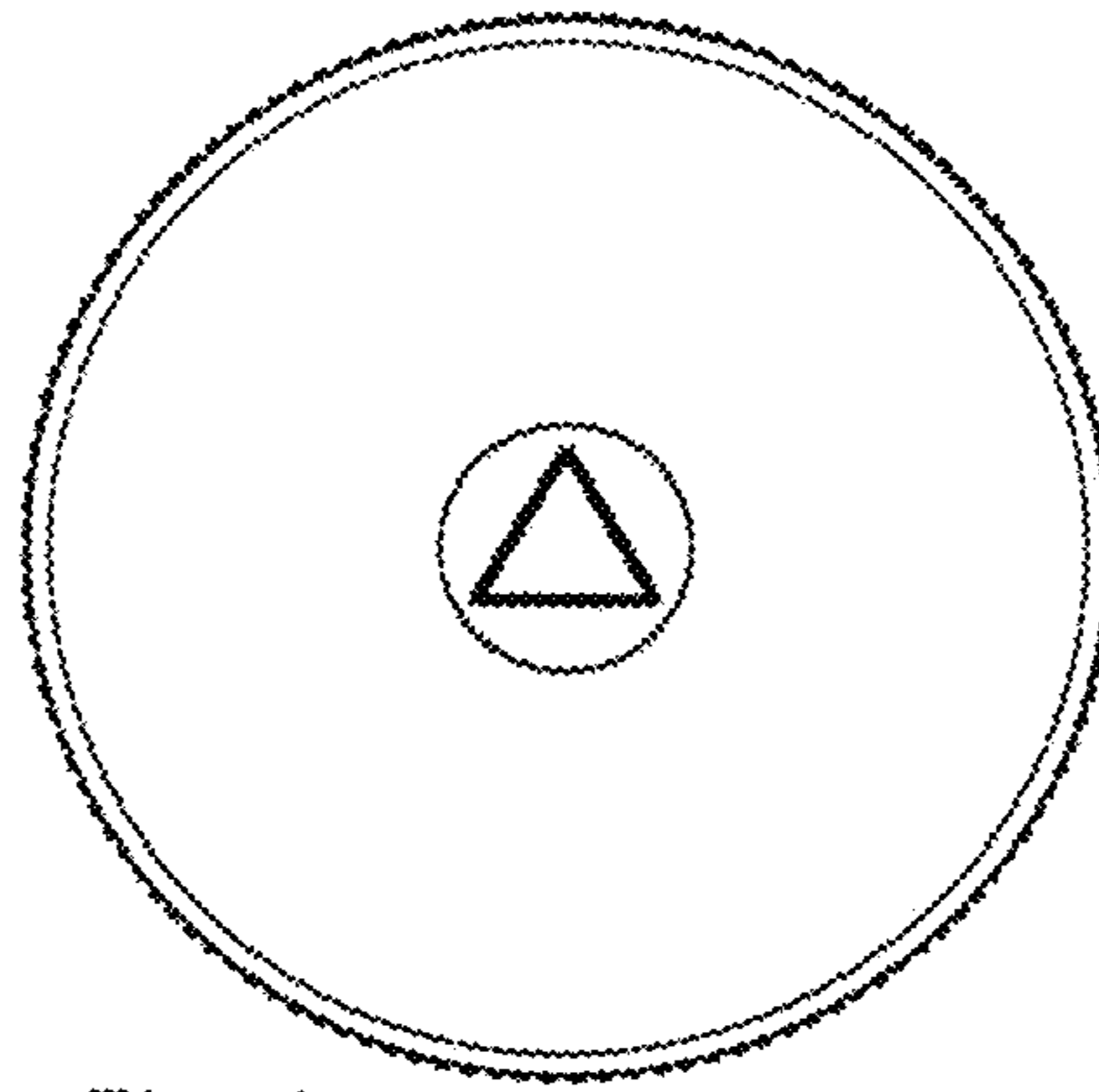


Fig. 1

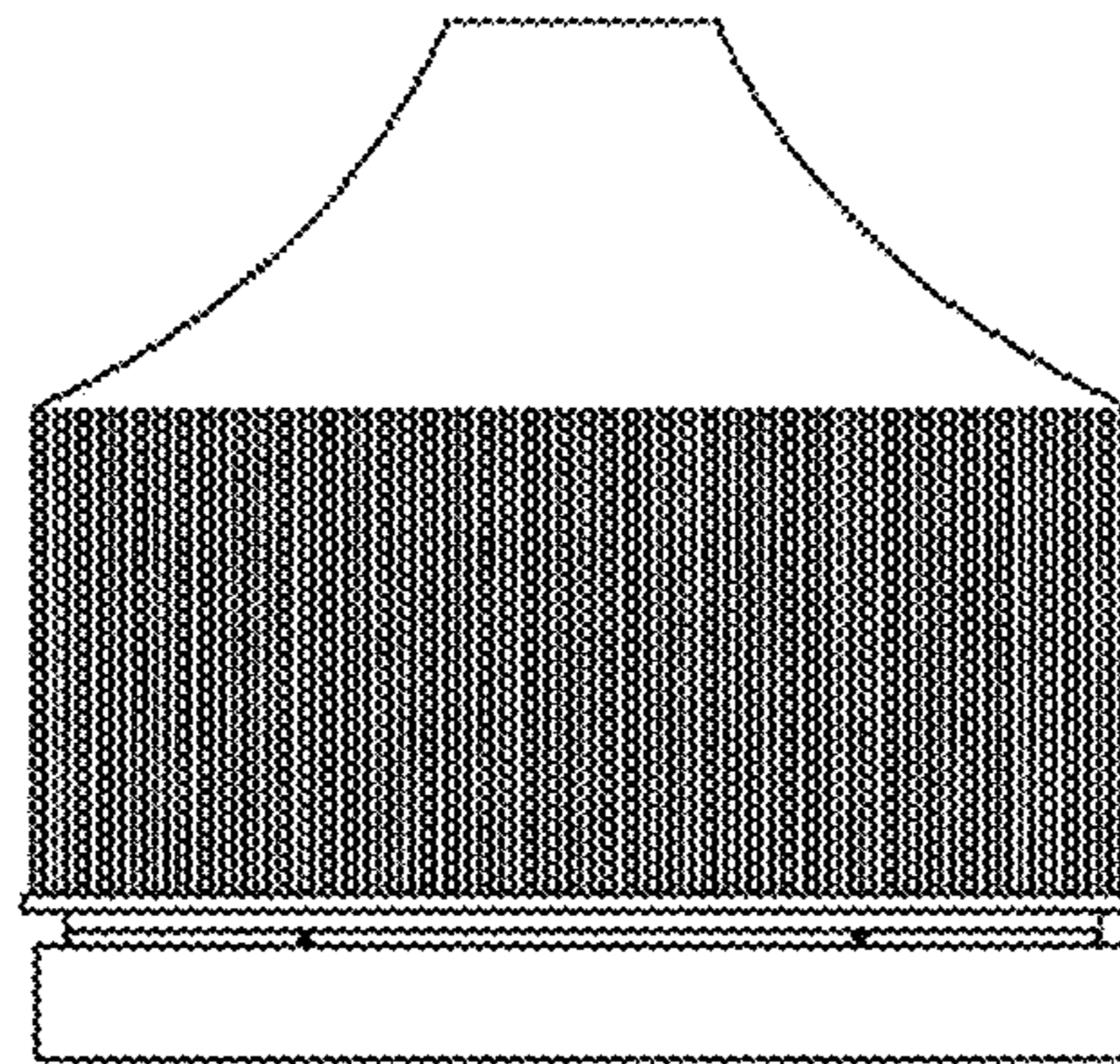


Fig. 2

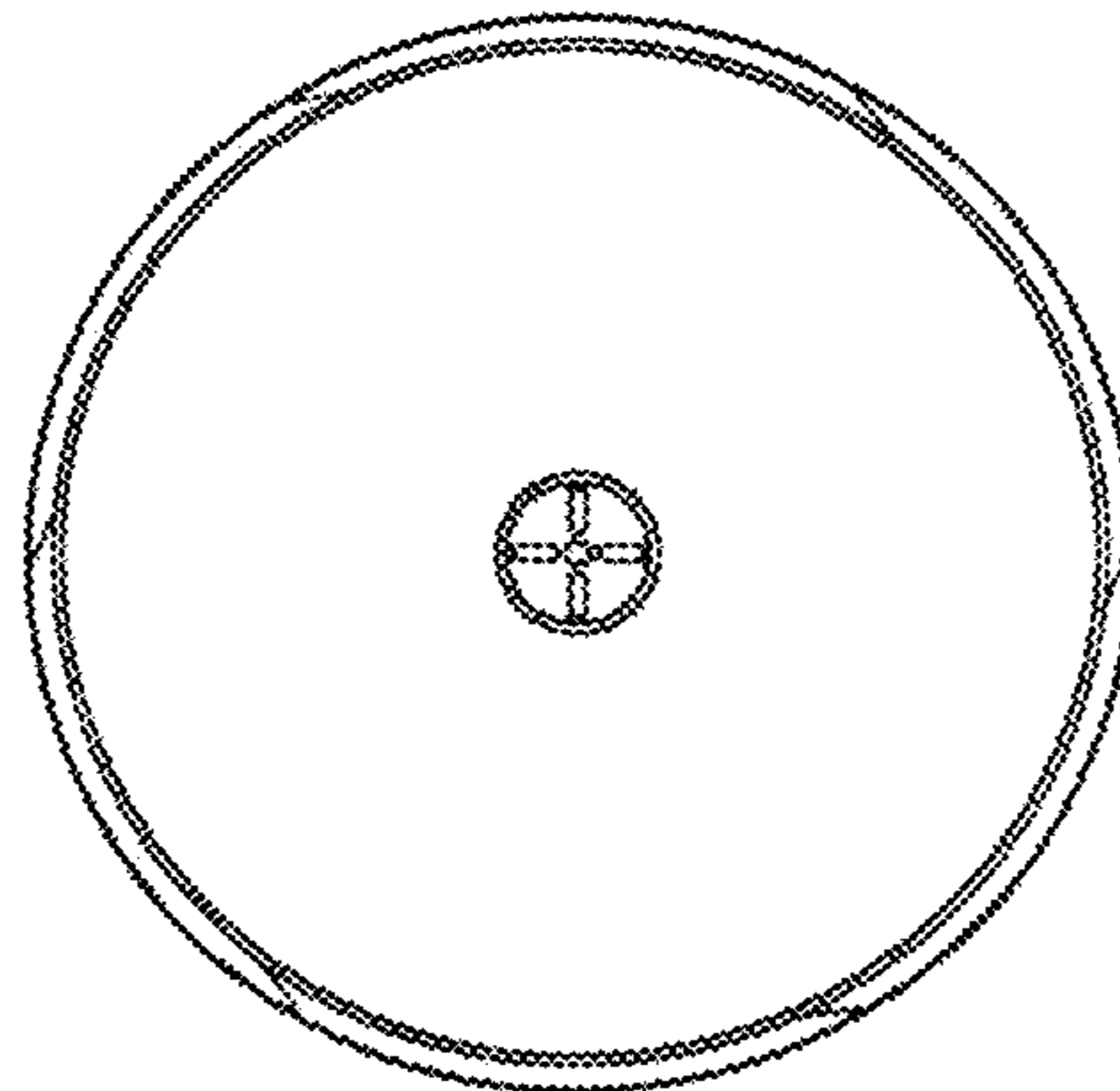


Fig. 3

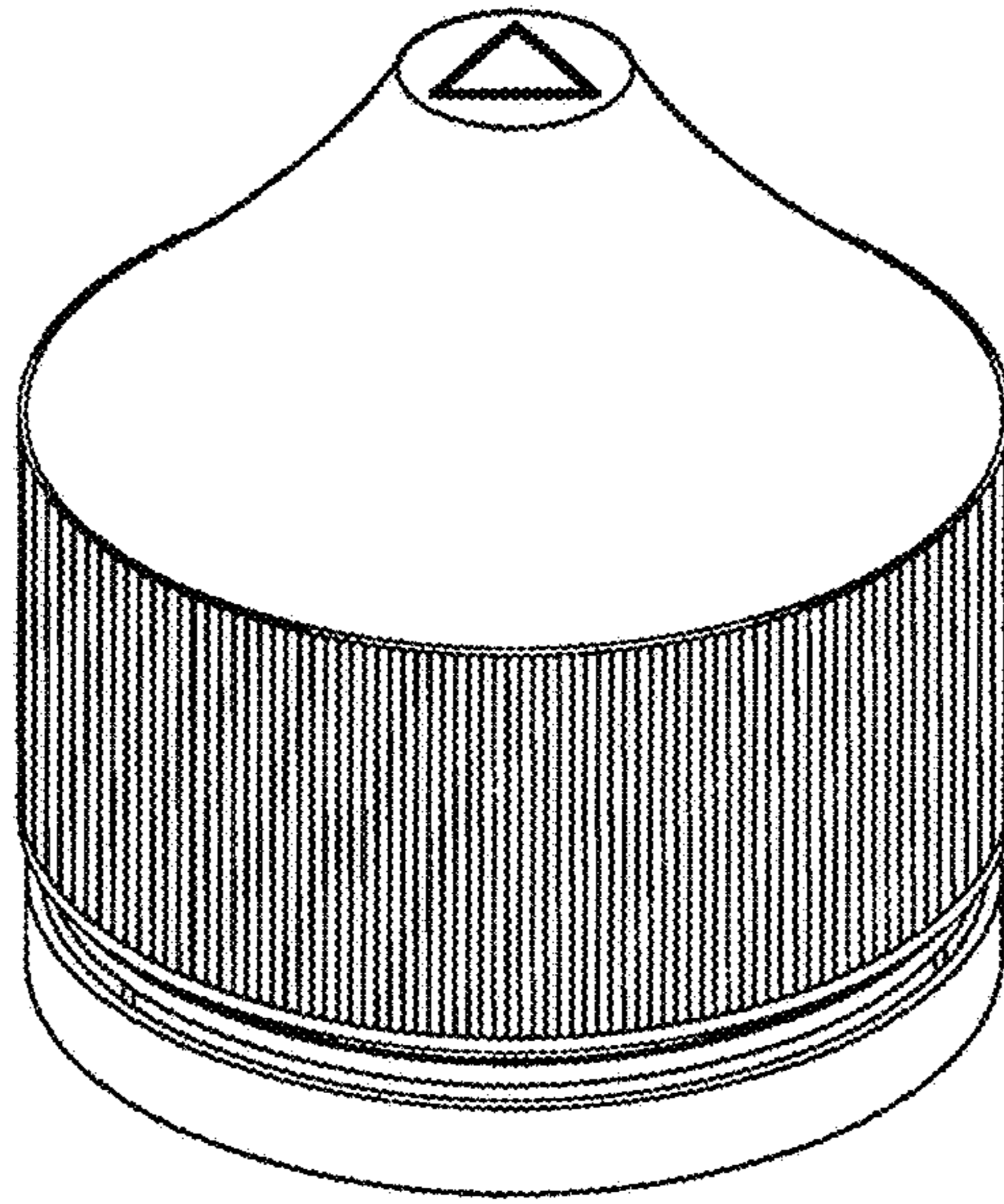


Fig. 4

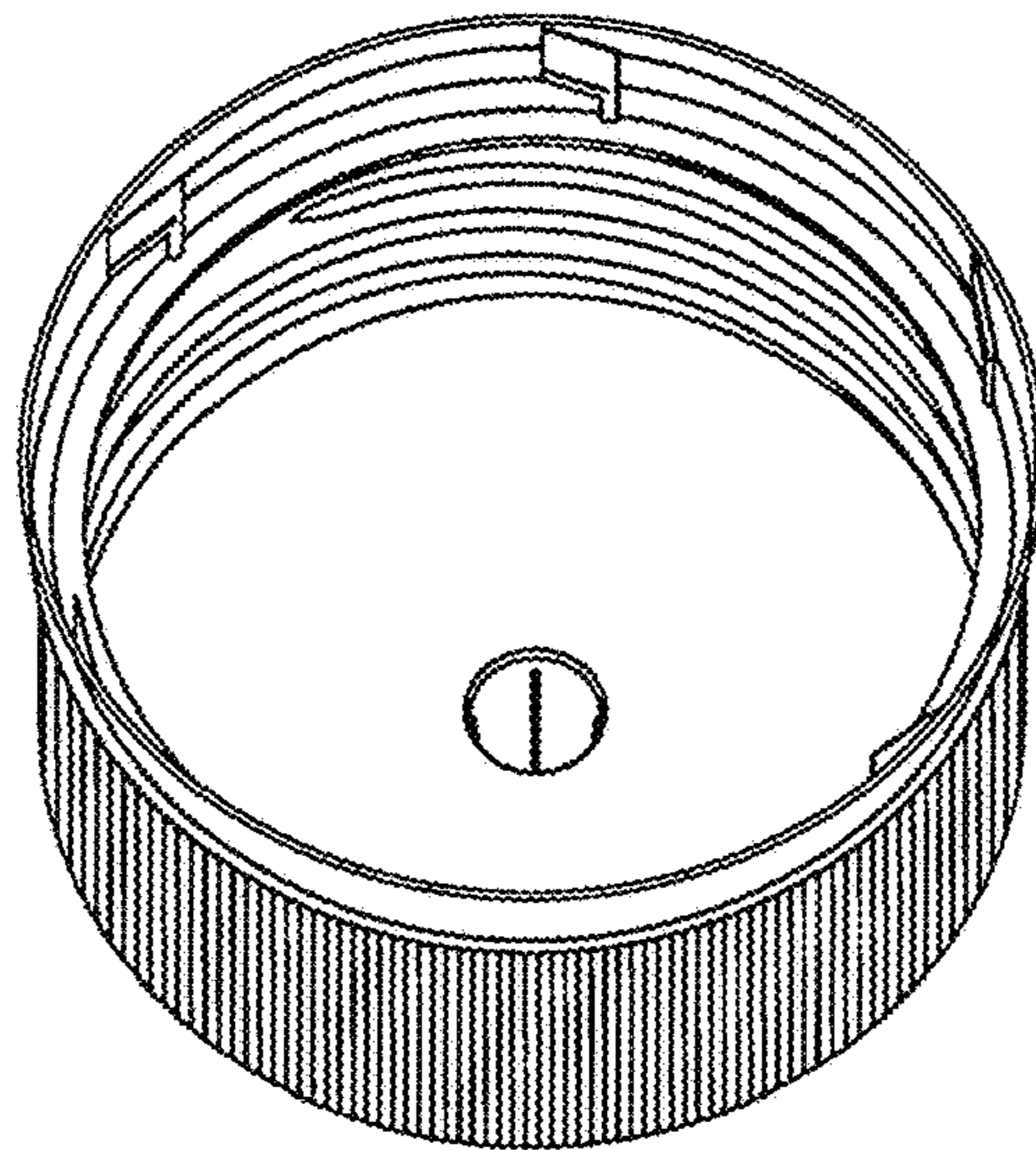


Fig. 5

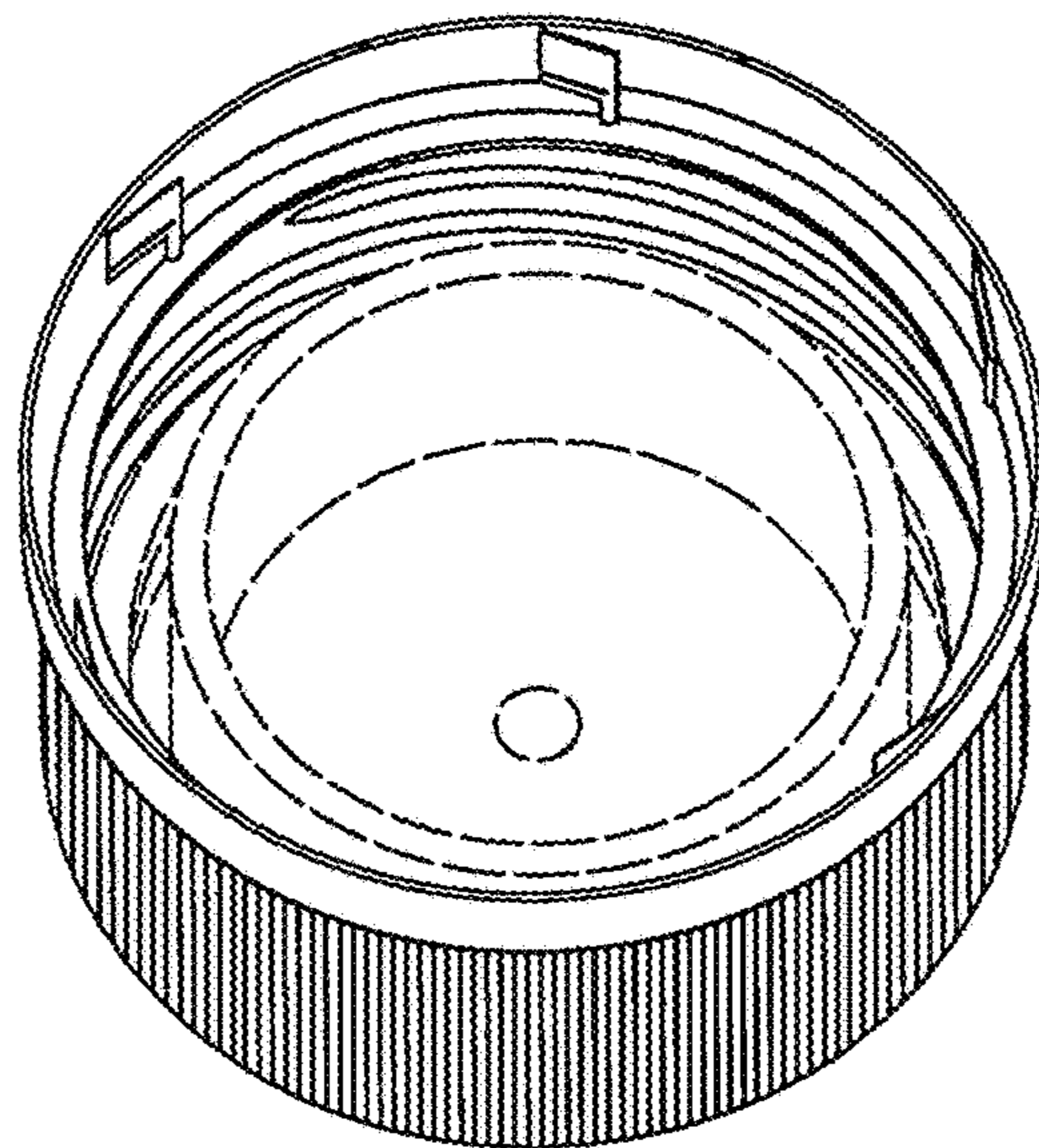


Fig. 6

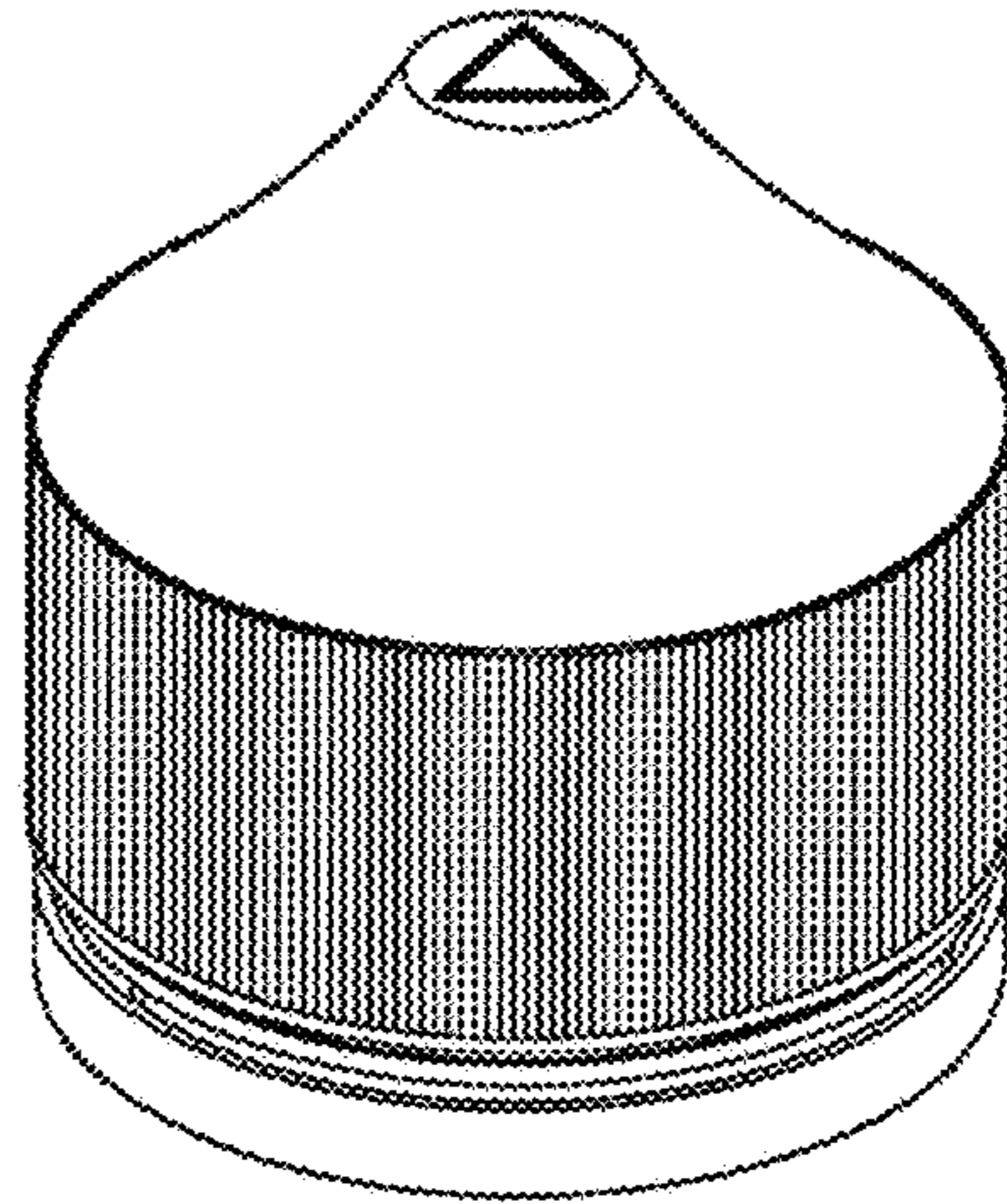


Fig. 7

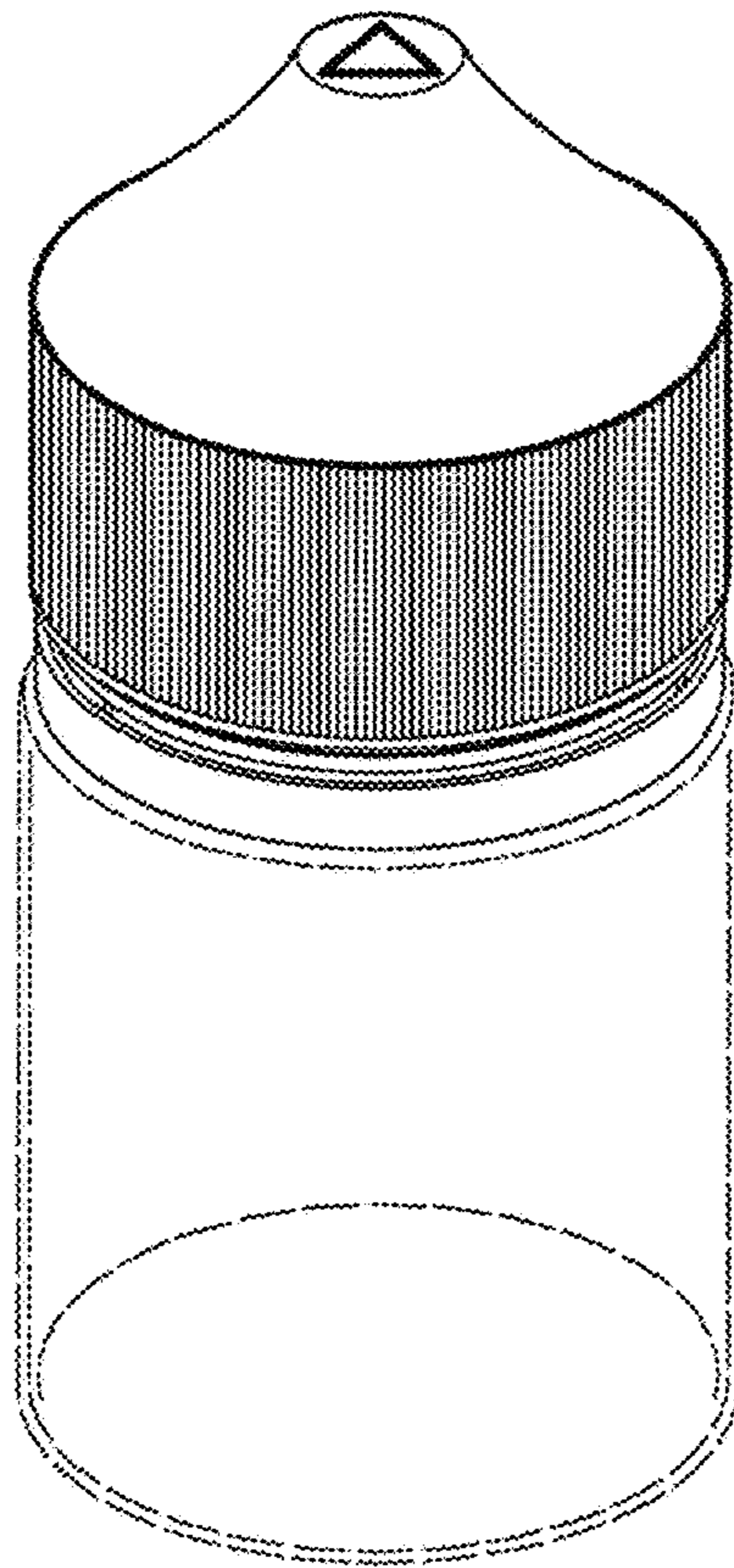


Fig. 8