



US00D849533S

(12) **United States Design Patent** (10) **Patent No.:** **US D849,533 S**
Broyles et al. (45) **Date of Patent:** **** May 28, 2019**

(54) **PACKAGING BASE FOR ADHESIVE
PRE-COATED ORTHODONTIC APPLIANCES**

B65D 2543/00296; B65D 5/46; B65D
2251/00

See application file for complete search history.

(71) Applicant: **3M INNOVATIVE PROPERTIES
COMPANY**, St. Paul, MN (US)

(56) **References Cited**

U.S. PATENT DOCUMENTS

(72) Inventors: **Bruce R. Broyles**, Oakdale, MN (US);
Travis L. Schwalbach, Minneapolis,
MN (US); **Robert T. McKeve**, St.
Paul, MN (US)

2,854,747	A *	10/1958	Lewis	A61C 7/12 433/15
D209,330	S *	11/1967	Coderre et al.	D8/372
D322,482	S *	12/1991	Ianieri	D24/180
5,221,202	A *	6/1993	James	A61C 7/12 206/369
D367,116	S *	2/1996	Viazis	D24/180
D412,579	S *	8/1999	Stevens	D24/180
7,527,147	B2 *	5/2009	Corcoran	A61C 7/12 206/369
D606,658	S *	12/2009	Blanco-Acevedo	D24/180
D624,406	S *	9/2010	Cronican	D9/434
7,857,618	B2 *	12/2010	Abels	A61C 7/12 433/11
D638,292	S *	5/2011	Withers	D9/434

(73) Assignee: **3M Innovative Properties Company**,
St. Paul, MN (US)

(**) Term: **15 Years**

(21) Appl. No.: **29/640,148**

(22) Filed: **Mar. 12, 2018**

(51) **LOC (11) Cl.** **09-07**

(52) **U.S. Cl.**

USPC **D9/434**; D9/455; D9/456; D24/180

(58) **Field of Classification Search**

USPC D9/414, 416, 425, 434, 435, 436, 438,
D9/439, 440, 442, 443, 446-450,
D9/452-457, 499, 503-505, 682, 685,
D9/686; D7/387, 391, 392, 392.1, 393,
D7/394, 396.1-396.4, 401.1, 503-505,
D7/509-511, 538, 900; D3/201, 202,
D3/203.2, 318; D28/91, 91.1; D24/180,
D24/227; D8/382

CPC .. A61J 1/00; A61J 1/1412; B65D 1/00; B65D
1/02; B65D 1/10; B65D 1/46; B65D
2585/56; B65D 2585/545; B65D 41/00;
B65D 41/38; B65D 41/56; B65D 41/62;
B65D 47/00; B65D 47/06; B65D 47/08;
B65D 2543/00046; B65D 2543/00092;

(Continued)

Primary Examiner — Michael A. Pratt

Assistant Examiner — Wendy L Arminio

(57) **CLAIM**

The ornamental design for a packaging base for adhesive pre-coated orthodontic appliances, as shown and described.

DESCRIPTION

FIG. 1 is a perspective view showing a new design for a packaging base for adhesive pre-coated orthodontic appliances;

FIG. 2 is a top view thereof;

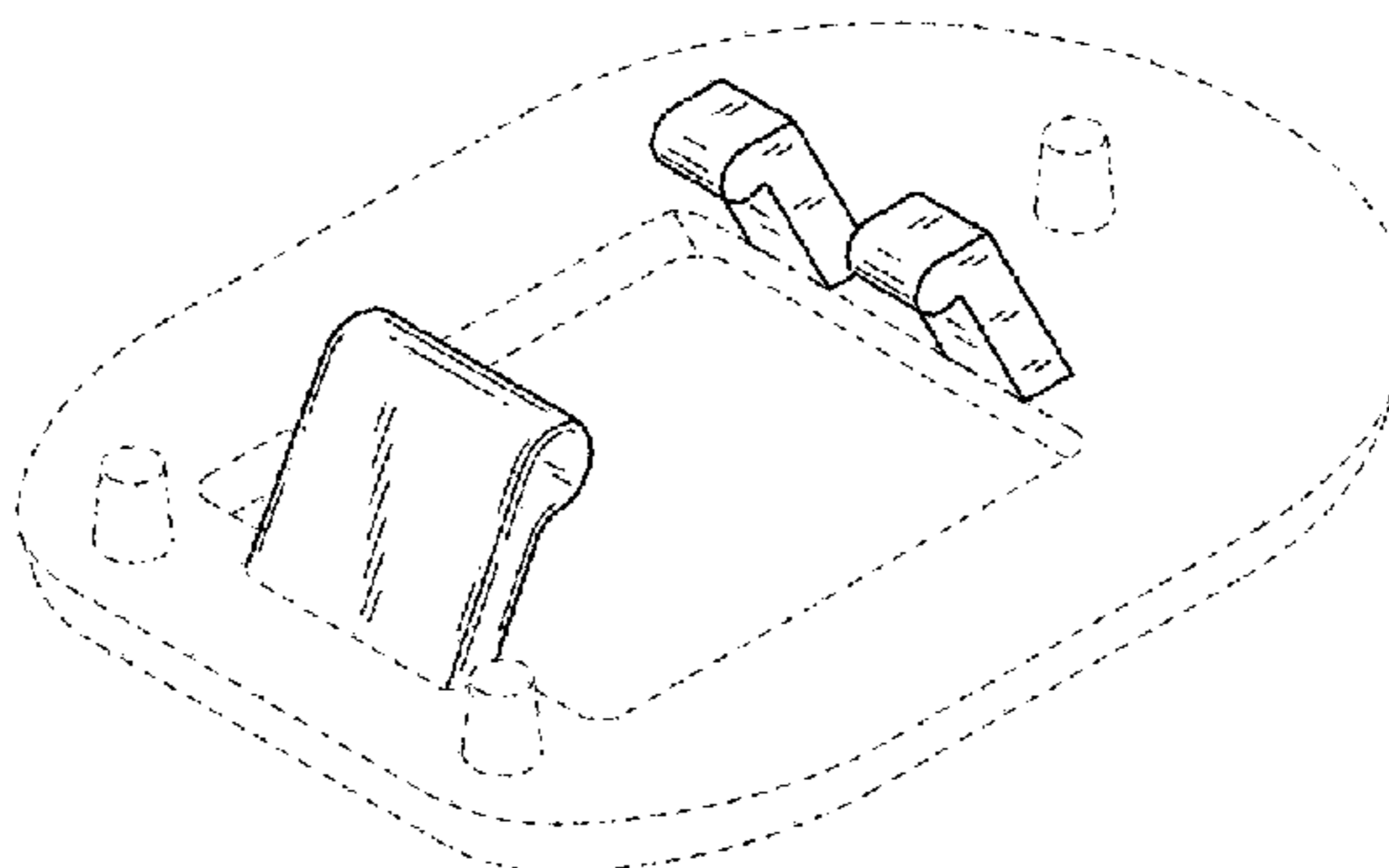
FIG. 3 is a right-side view thereof, the left-side view being a mirror image thereof;

FIG. 4 is a rear view thereof;

FIG. 5 is the front view thereof; and,

FIG. 6 is a bottom view thereof.

(Continued)



The broken lines in the drawings depict portions of the packaging base for adhesive pre-coated orthodontic appliances that form no part of the claimed design.

1 Claim, 2 Drawing Sheets

(56)

References Cited

U.S. PATENT DOCUMENTS

D660,968 S *	5/2012	Smith	D24/180
D664,847 S *	8/2012	Arch	D9/435
D723,172 S *	2/2015	Markova	D24/180
D741,199 S *	10/2015	Flury	D9/457
D770,885 S *	11/2016	Miros	D8/382
D781,437 S *	3/2017	Valley	D24/227
D820,457 S *	6/2018	Sommer	D24/180

* cited by examiner

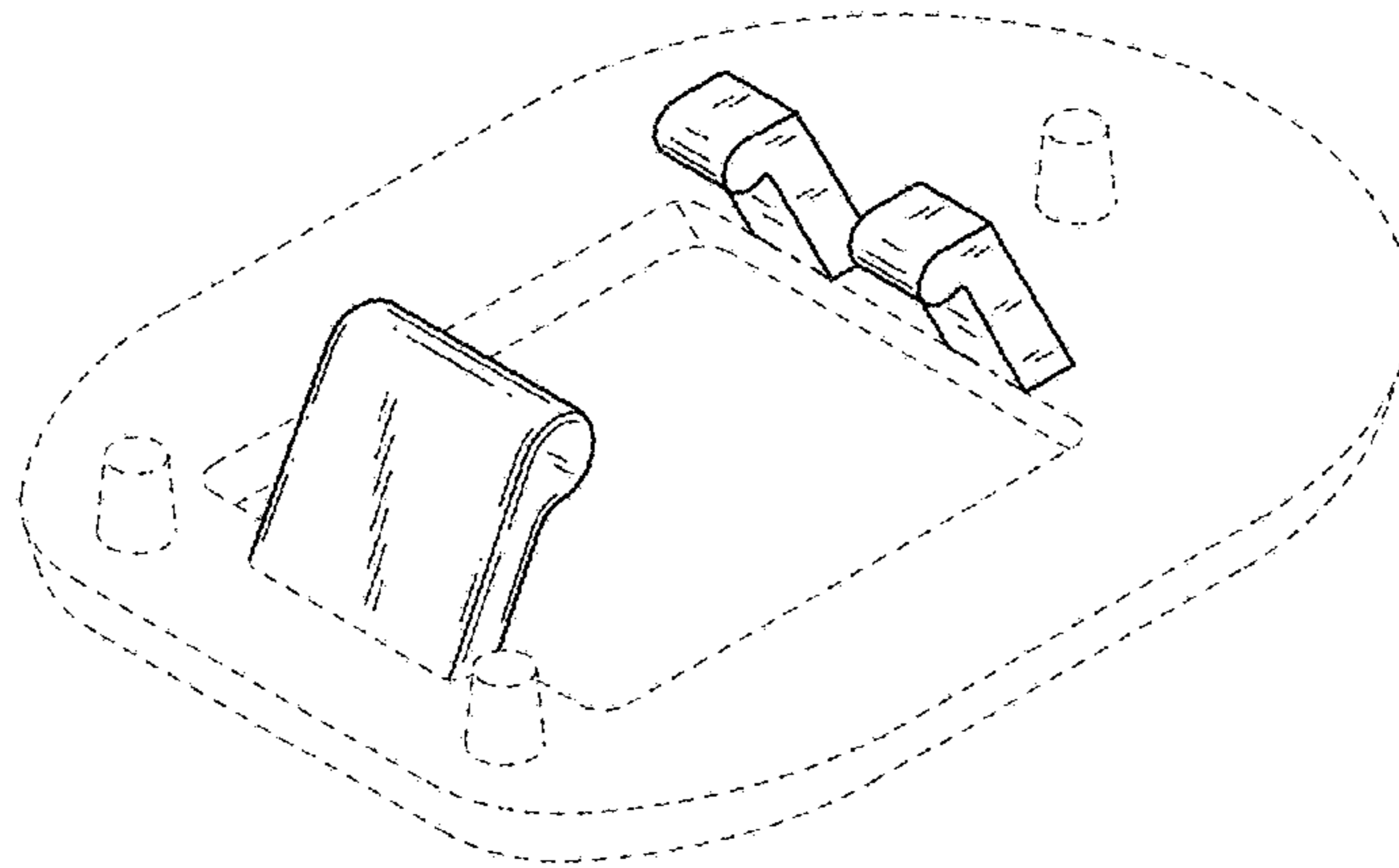


FIG. 1

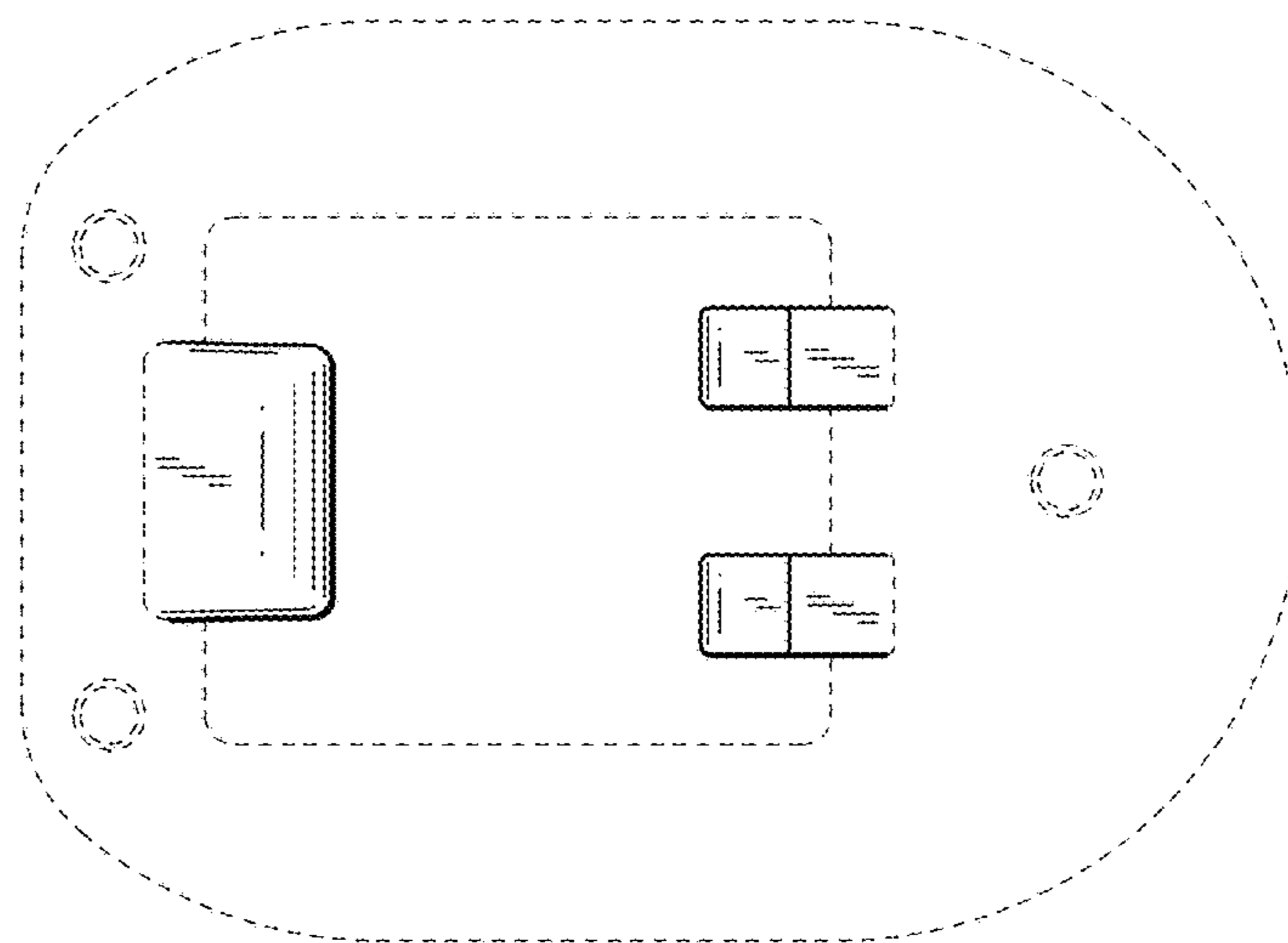


FIG. 2

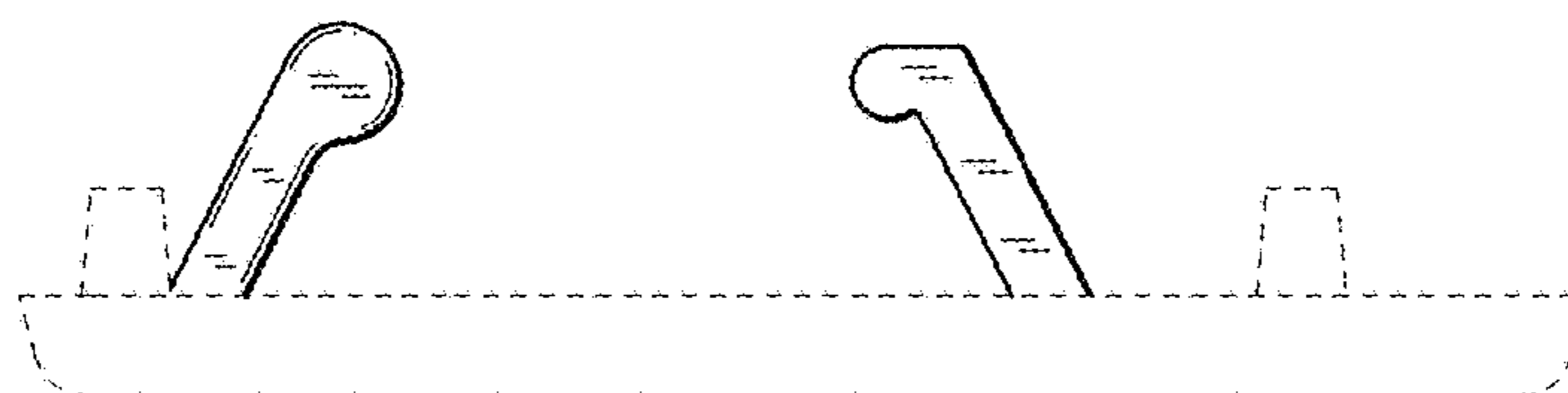


FIG. 3

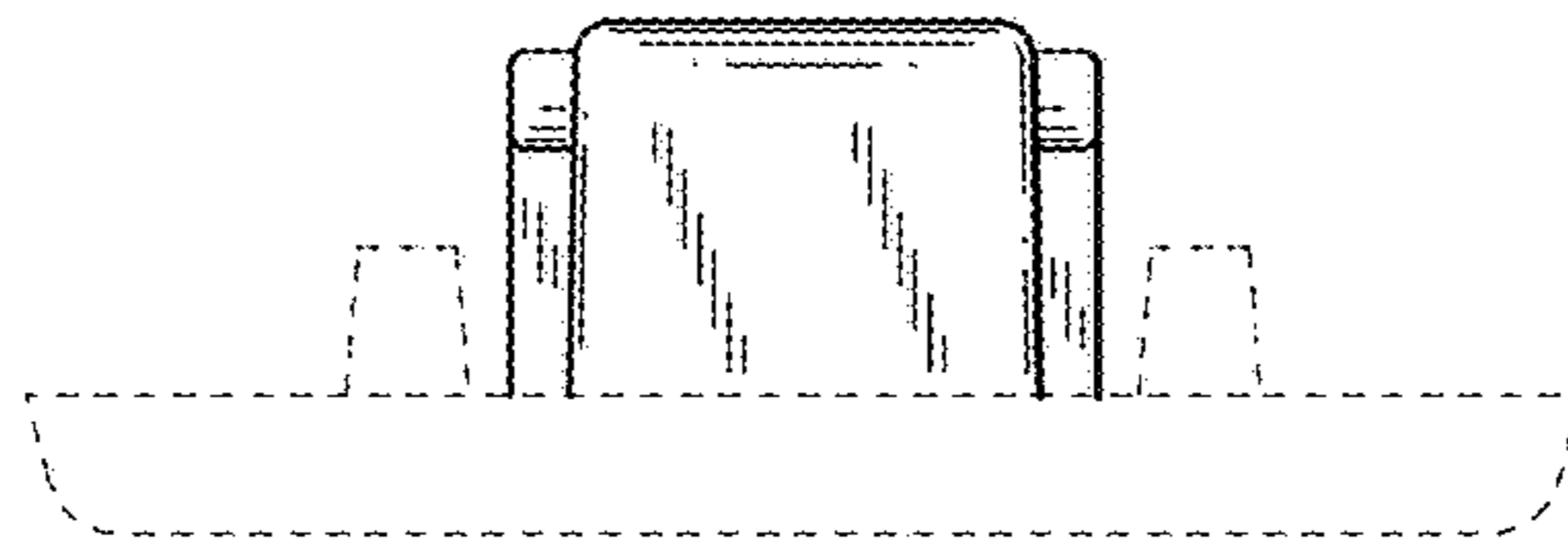


FIG. 4

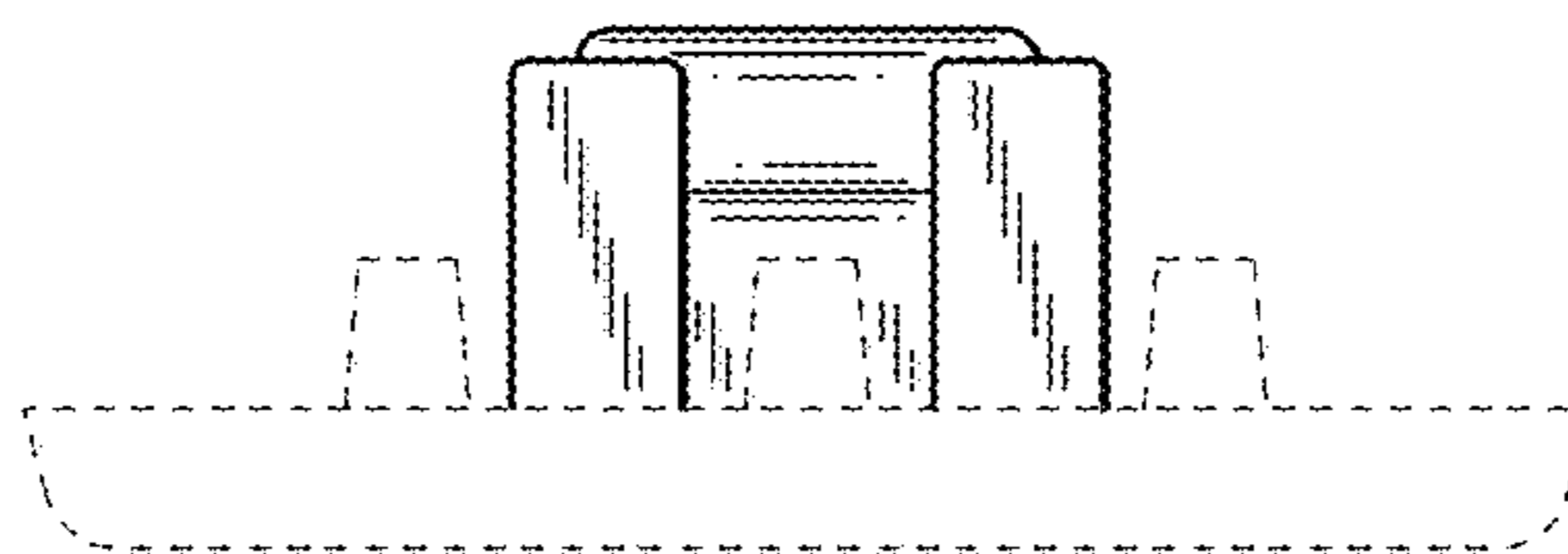


FIG. 5

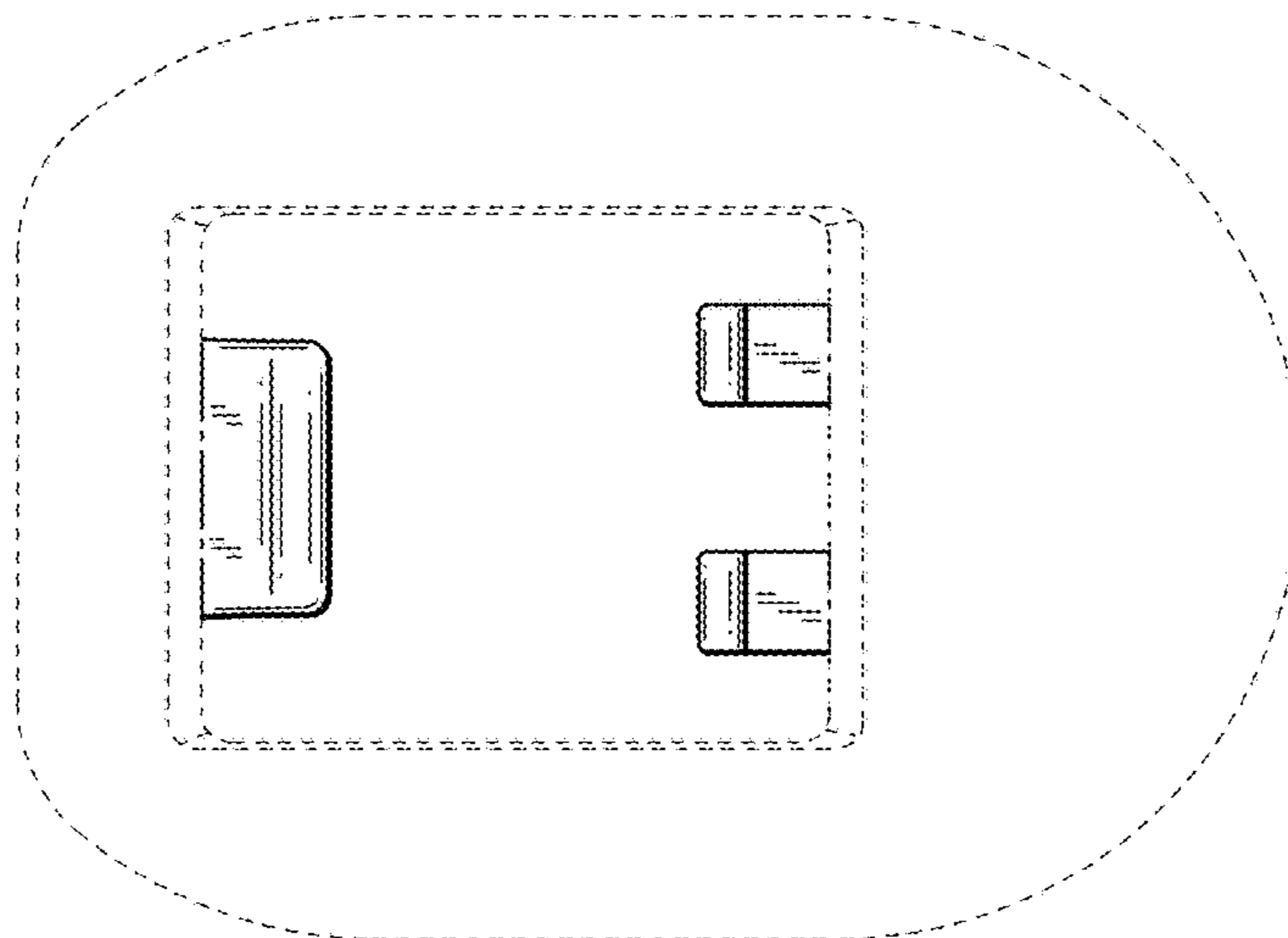


FIG. 6