



US00D849531S

(12) **United States Design Patent**
Hockin et al.

(10) **Patent No.:** **US D849,531 S**

(45) **Date of Patent:** **** May 28, 2019**

(54) **PACKAGE**

(71) Applicant: **Amazon Technologies, Inc.**, Seattle, WA (US)

(72) Inventors: **Chad Hockin**, Seattle, WA (US);
Alexandra Kay Hartford, Seattle, WA (US); **Michael Custer**, Batavia, IL (US); **JaeYoung Jeon**, Des Plaines, IL (US); **Brent Lindberg**, St. Charles, IL (US); **Jenna Lee Walsh**, Batavia, IL (US)

(73) Assignee: **Amazon Technologies, Inc.**, Seattle, WA (US)

(**) Term: **15 Years**

(21) Appl. No.: **29/632,069**

(22) Filed: **Jan. 4, 2018**

(51) **LOC (11) Cl.** **09-01**

(52) **U.S. Cl.**
USPC **D9/432; D9/737**

(58) **Field of Classification Search**
USPC D9/414–423, 424–429, 430–432, 433, D9/434, 456, 457, 711, 713, 721–722
CPC ... B65D 5/00; B65D 5/02; B65D 5/18; B65D 5/20

See application file for complete search history.

(56) **References Cited**

U.S. PATENT DOCUMENTS

- 4,300,683 A * 11/1981 Roccaforte B65D 73/0085
206/485
- D268,098 S * 3/1983 Brown D9/418
- D287,464 S * 12/1986 Mode D9/431
- 6,302,274 B1 * 10/2001 Ridgeway B65D 5/5038
206/583
- 6,305,539 B1 * 10/2001 Sanders, Jr. B65D 5/6664
206/320
- D469,692 S * 2/2003 Meeker D9/431
- D576,873 S * 9/2008 Kim D9/418

- D643,306 S * 8/2011 Martinez D9/721
- D682,085 S * 5/2013 Hannant D9/416
- D711,255 S * 8/2014 Madda D9/433
- D720,614 S * 1/2015 Kim D9/432
- D761,106 S * 7/2016 Clark D9/456

(Continued)

OTHER PUBLICATIONS

Amazon Kindle Paperwhite Unboxing & Hands-On (Video). [online] Published on Oct. 2, 2012. Retrieved Dec. 17, 2018 from URL: <https://www.technobuffalo.com/videos/amazon-kindle-paperwhite-unboxing-hands-on-video/>.*

Primary Examiner — Vy N Koenig

(74) *Attorney, Agent, or Firm* — Baker & Hostetler LLP

(57) **CLAIM**

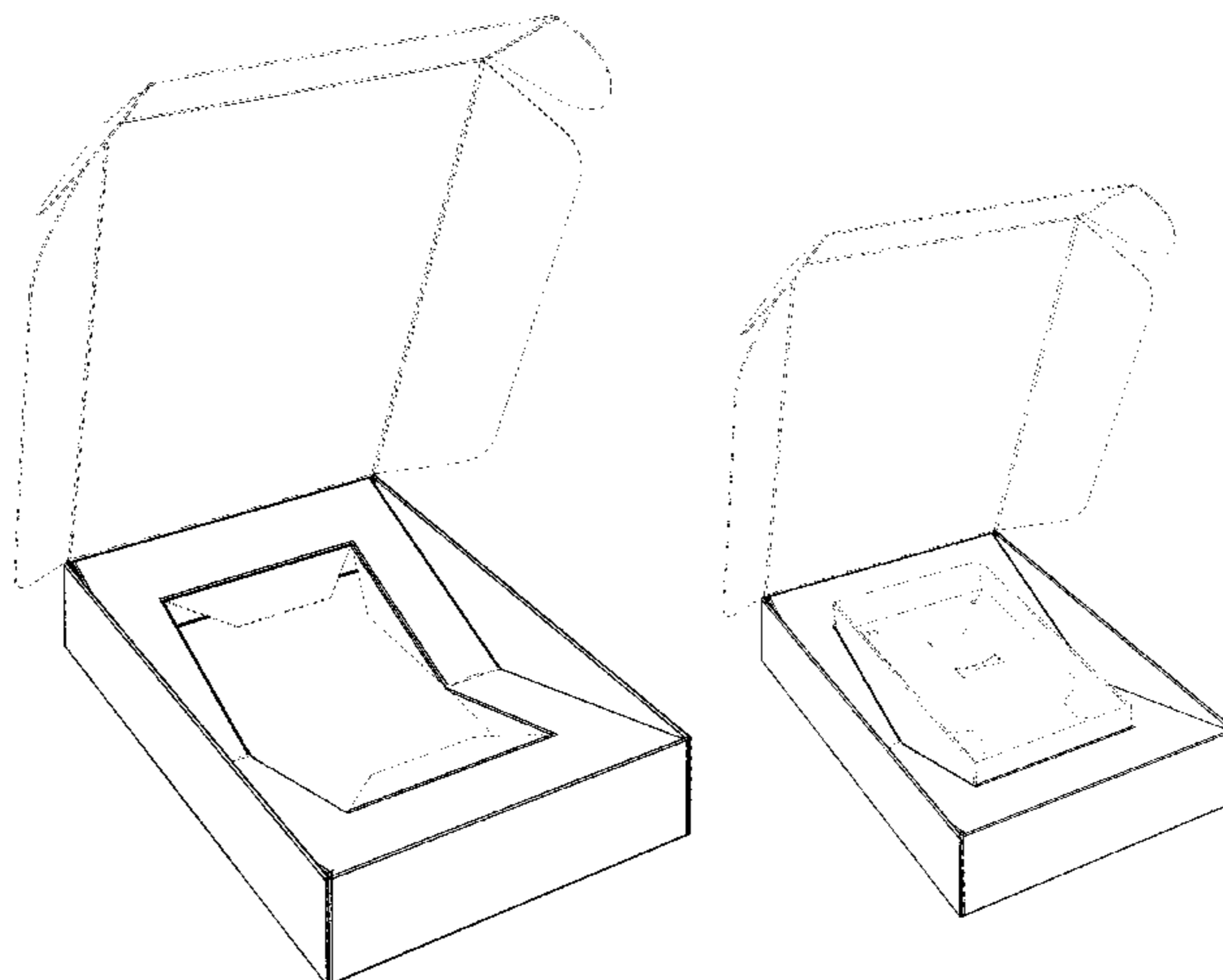
The ornamental design for a package, as shown and described.

DESCRIPTION

FIG. 1 is a top perspective view of a package according to a first embodiment of our new design;
 FIG. 2 is a bottom perspective view thereof;
 FIG. 3 is a top plan view thereof;
 FIG. 4 is a bottom plan view thereof;
 FIG. 5 is a front end view thereof;
 FIG. 6 is a rear end view thereof;
 FIG. 7 is a side view thereof, the opposing side being a mirror image thereof;
 FIG. 8 is a top perspective view of a second embodiment of the package; and,
 FIG. 9 is a top plan view of thereof, the remaining views of the second embodiment being identical to the corresponding views of the first embodiment.

The broken, dashed lines illustrate environment structure and are not part of the claimed design sought to be patented. The dot-dash-dot lines show the boundaries of the claimed design.

1 Claim, 7 Drawing Sheets



(56)

References Cited

U.S. PATENT DOCUMENTS

D796,954 S * 9/2017 Lun D9/456
D832,696 S * 11/2018 Balanevsky D9/423

* cited by examiner

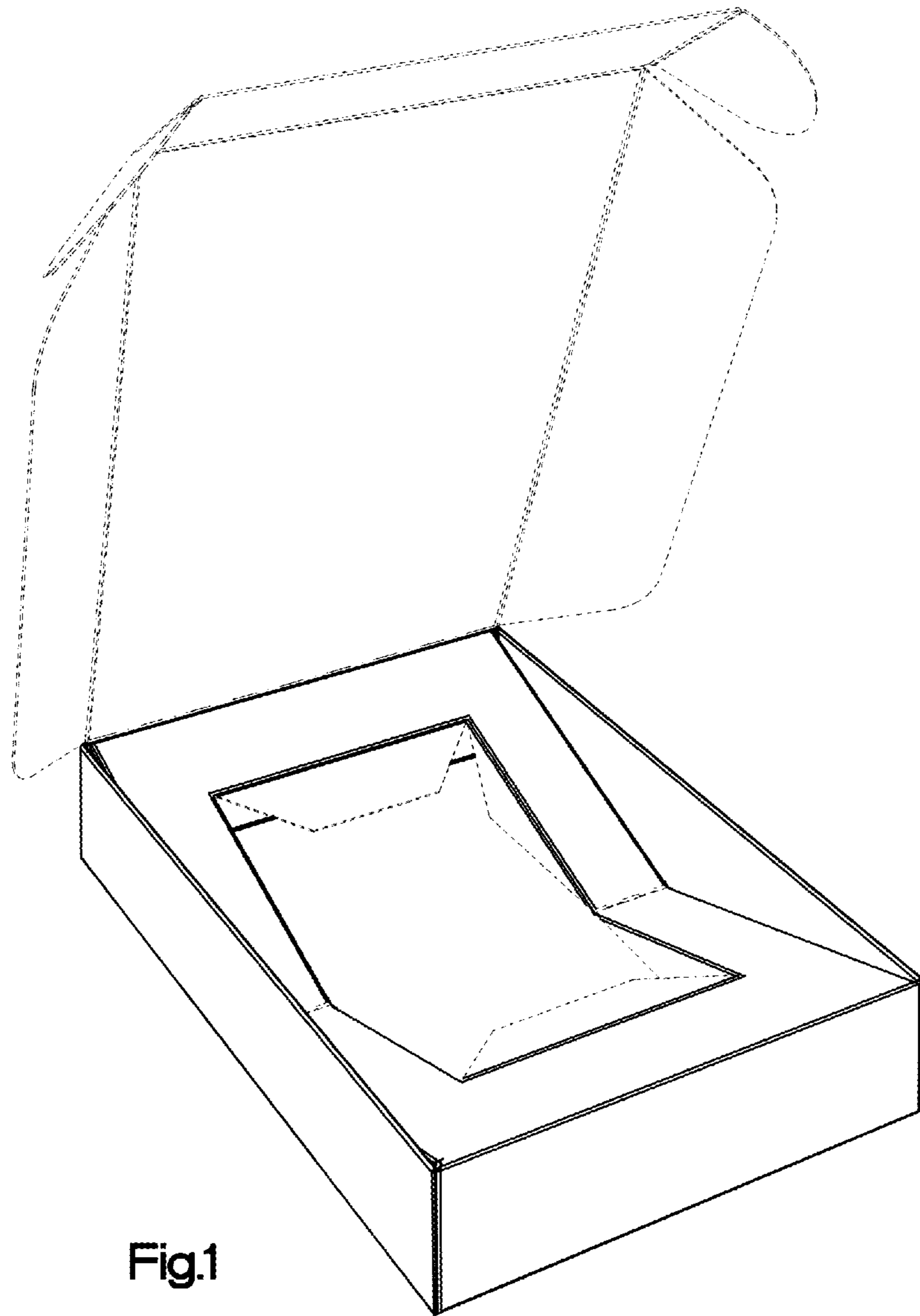


Fig.1

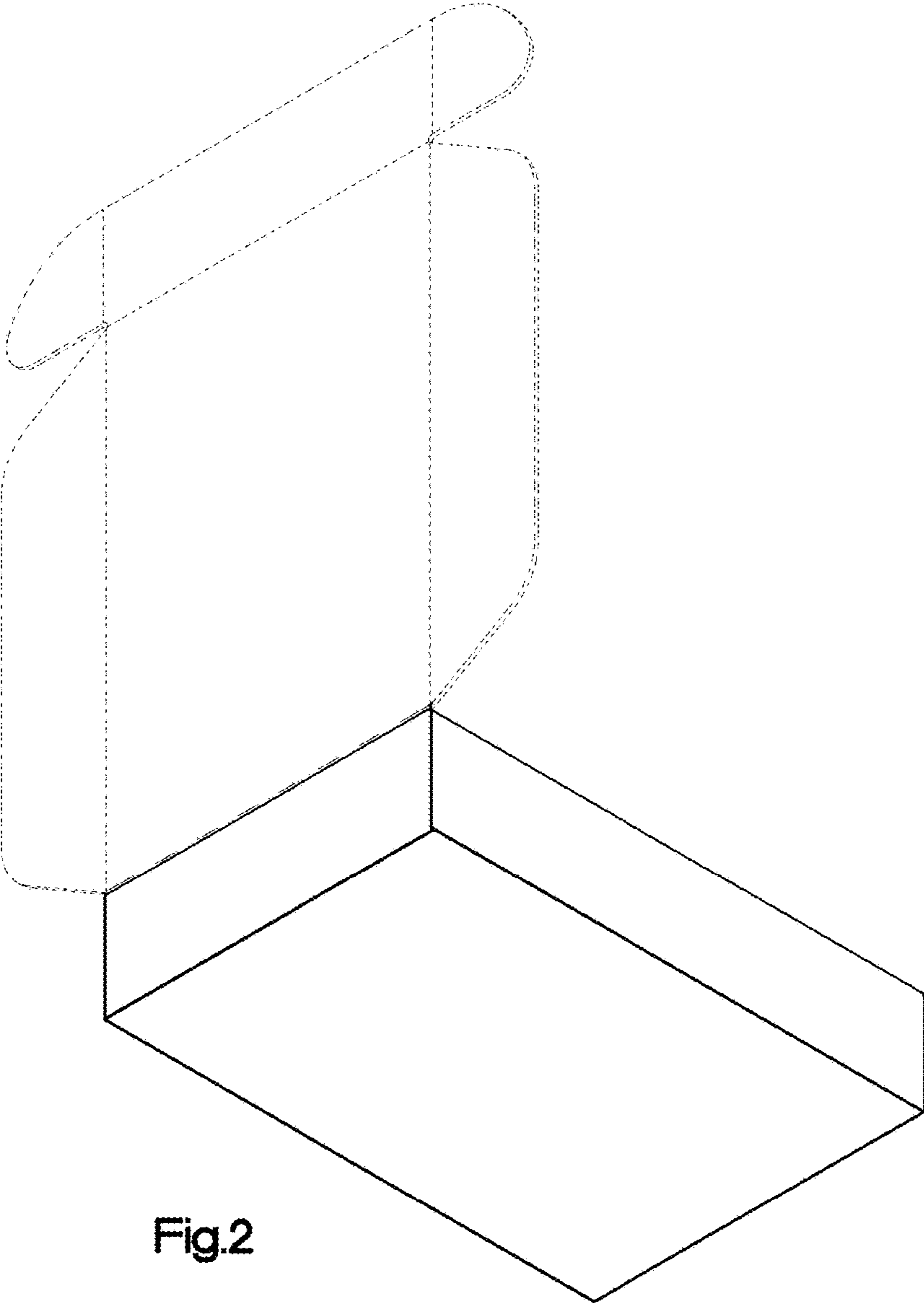


Fig.2

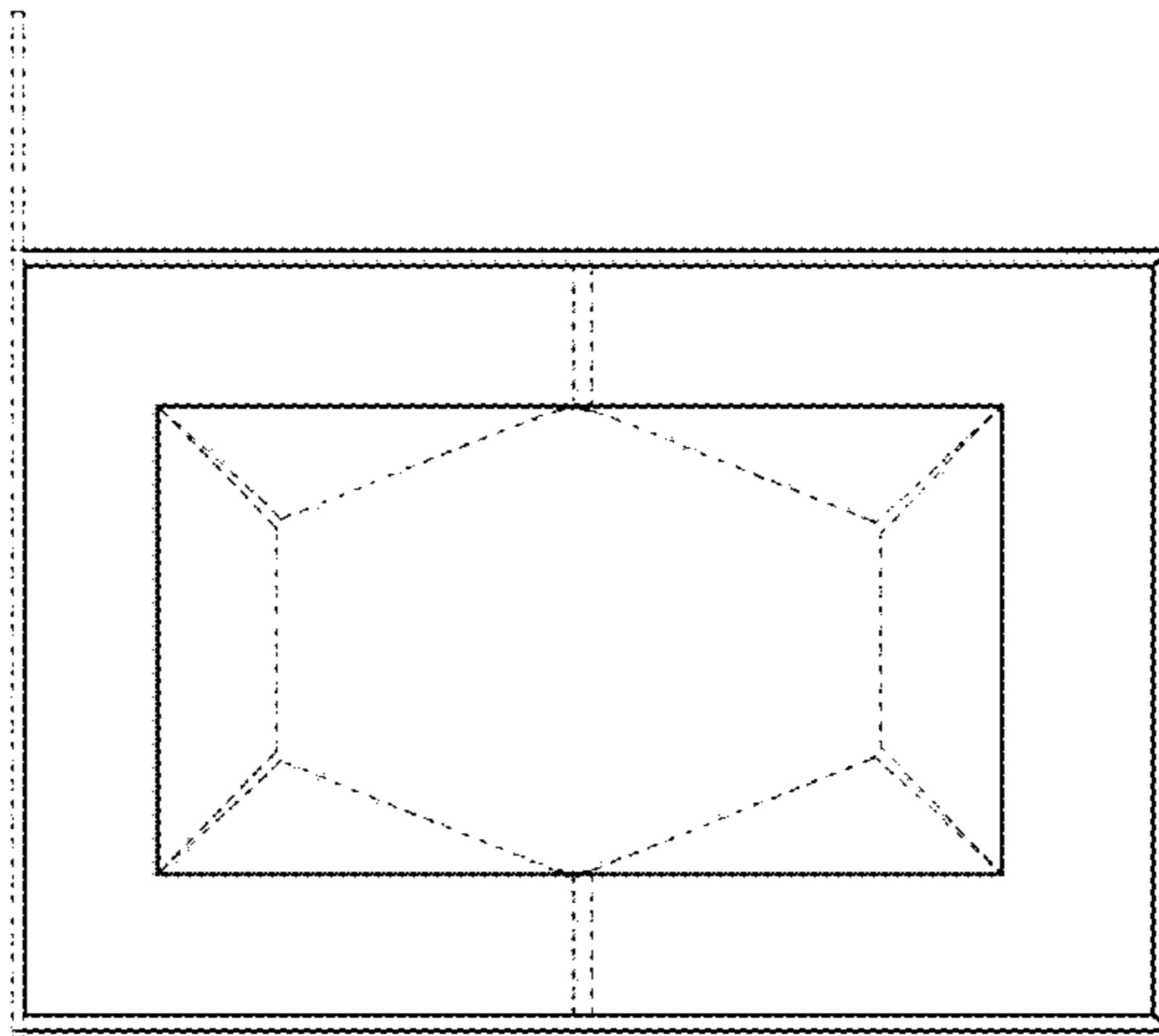


Fig.3

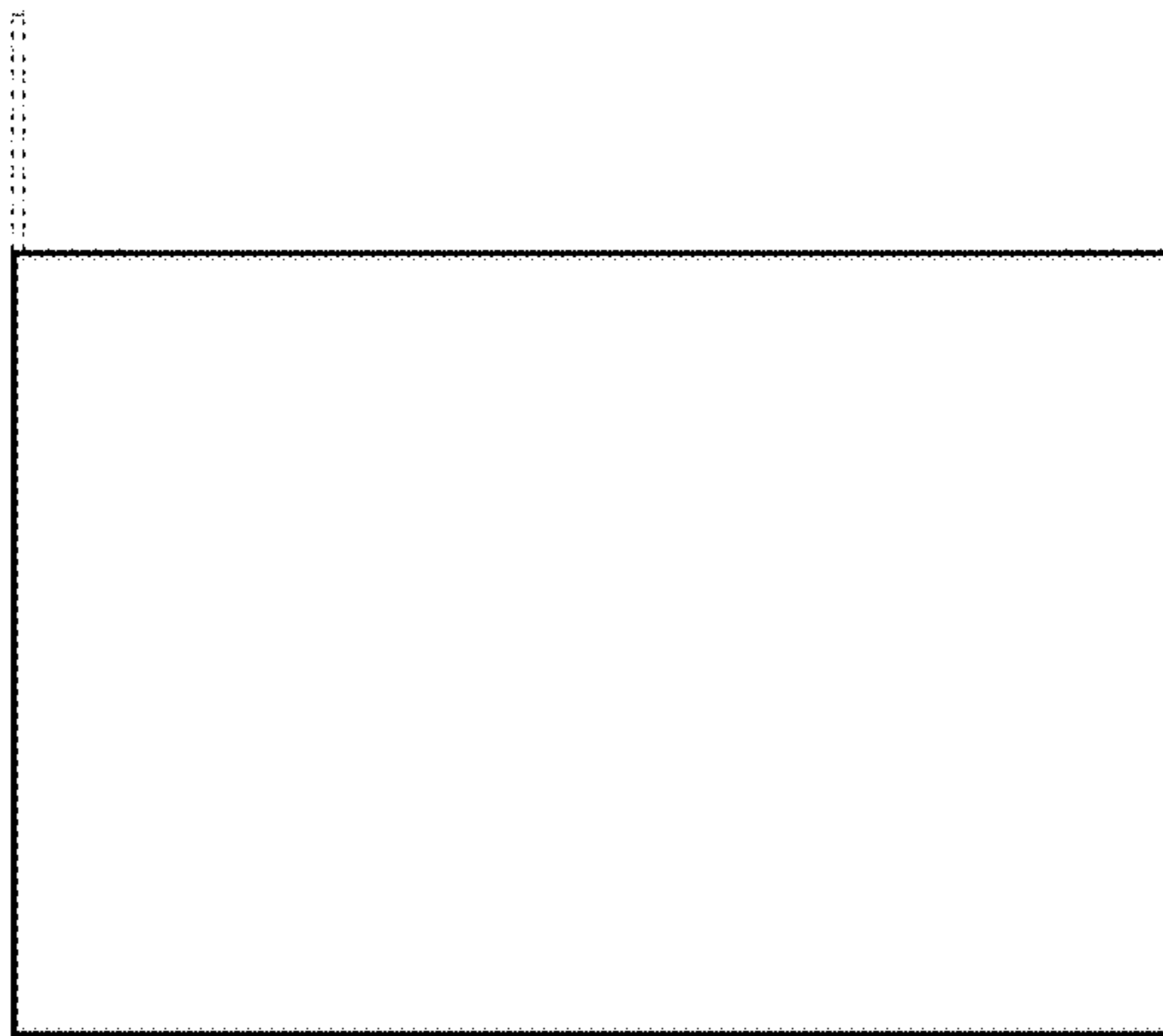


Fig.4

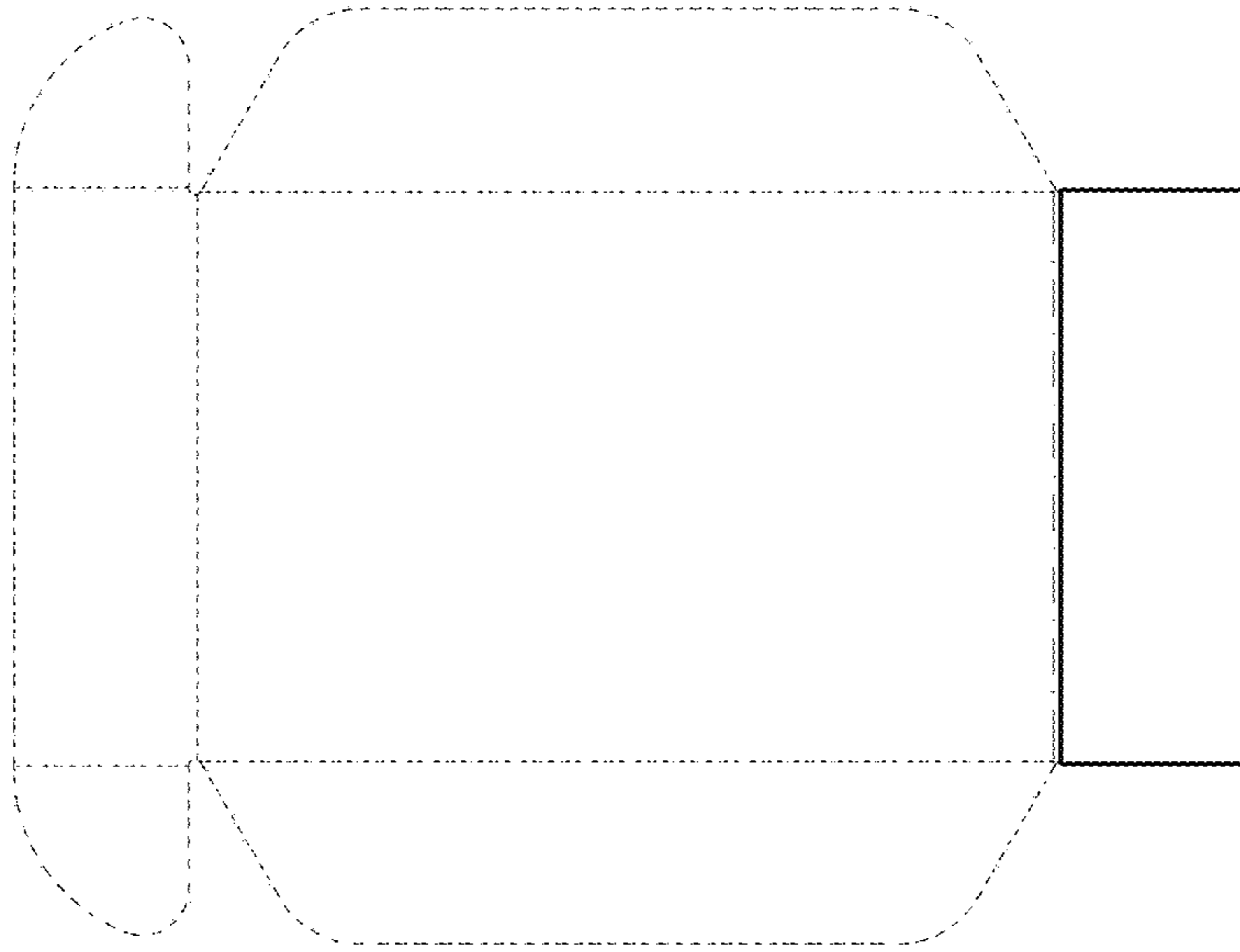


Fig.6

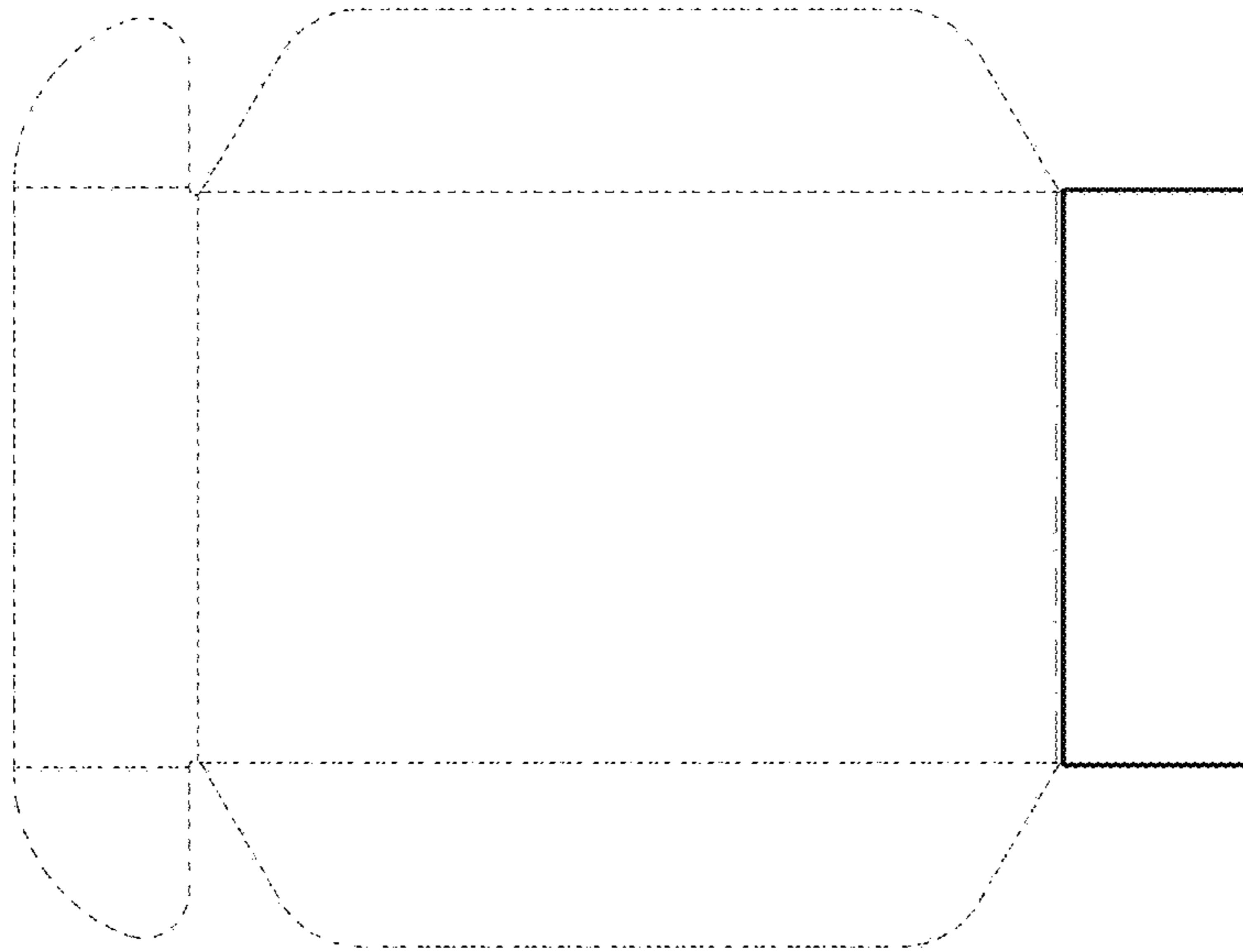


Fig.5

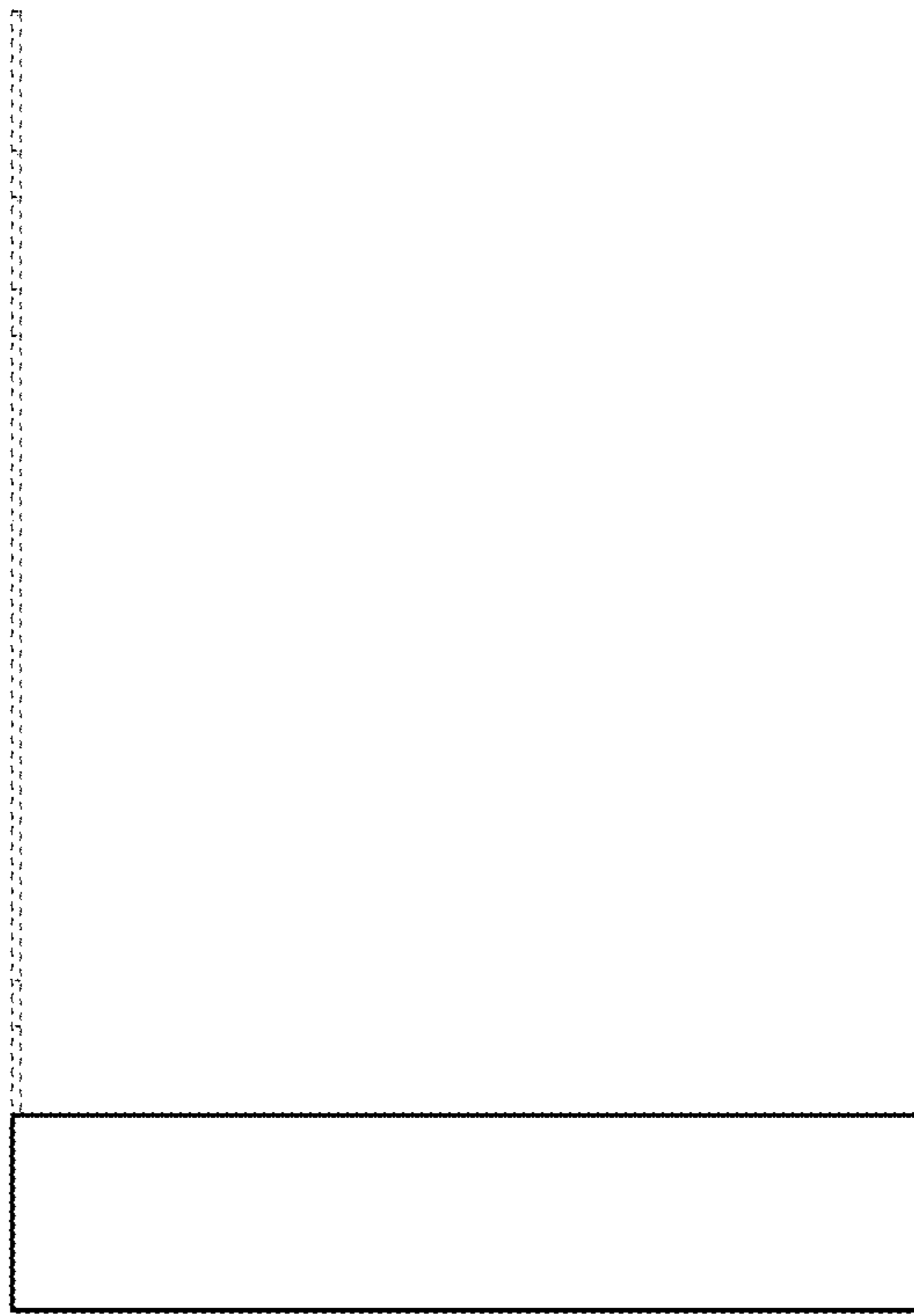


Fig.7

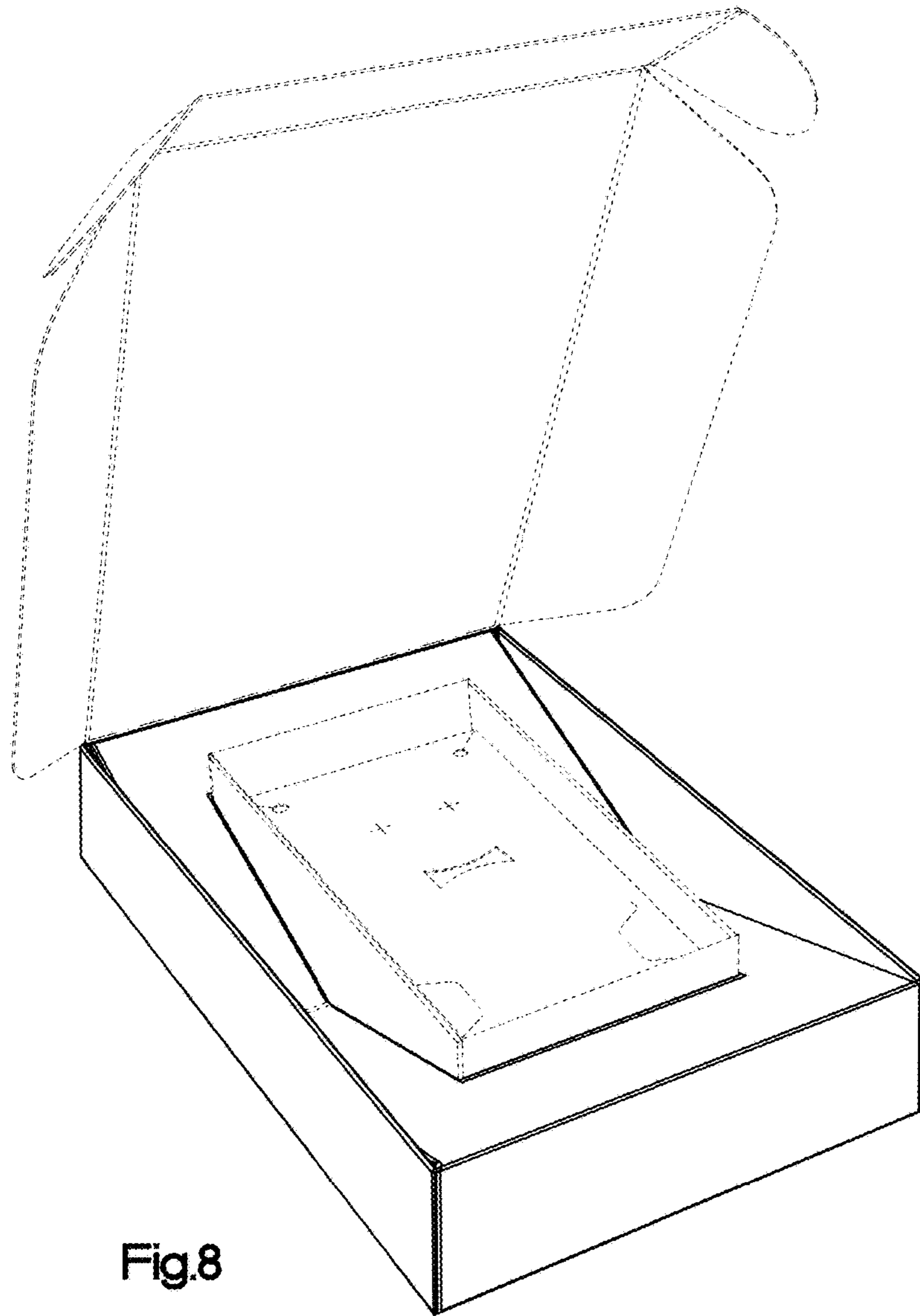


Fig.8

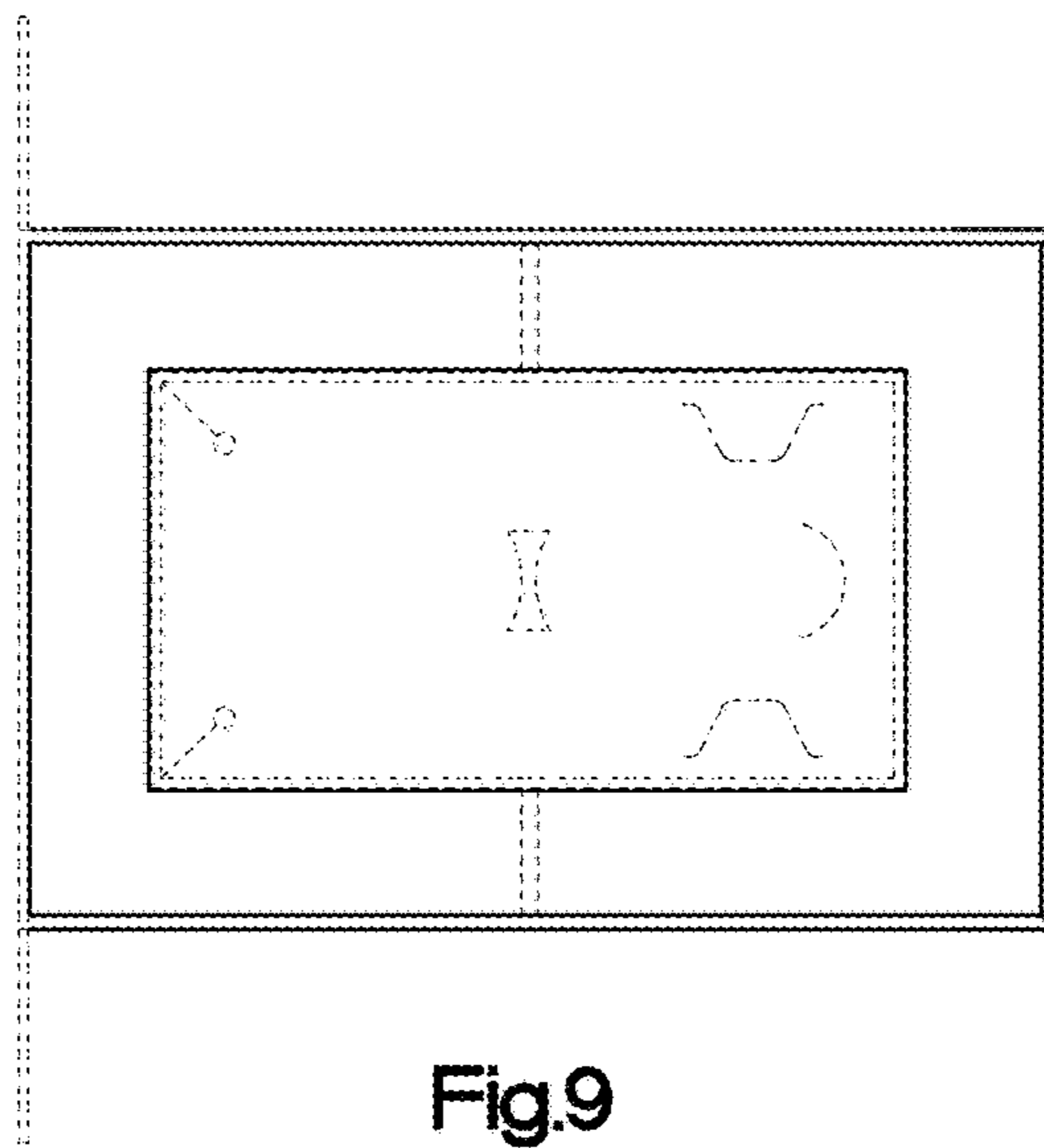


Fig.9