



US00D849530S

(12) **United States Design Patent**
Fremgen et al.

(10) **Patent No.:** **US D849,530 S**
(45) **Date of Patent:** **** May 28, 2019**

(54) **PACKAGING**

(71) Applicant: **SAP SE**, Walldorf (DE)
(72) Inventors: **Leonie Fremgen**, Heidelberg (DE);
Alessandro Sposato, Berlin (DE); **Vera Geier**, Walldorf (DE); **Karen Detken**, Heidelberg (DE)

(73) Assignee: **SAP SE**, Walldorf (DE)

(**) Term: **15 Years**

(21) Appl. No.: **29/638,698**

(22) Filed: **Feb. 28, 2018**

(51) **LOC (11) Cl.** **09-03**

(52) **U.S. Cl.**
USPC **D9/430; D9/737**

(58) **Field of Classification Search**
USPC D9/414–423, 424–429, 430–432, 433,
D9/434, 456, 457, 711, 713, 721–722
CPC ... B65D 5/00; B65D 5/02; B65D 5/18; B65D
5/20
See application file for complete search history.

(56) **References Cited**

U.S. PATENT DOCUMENTS

2,954,152	A *	9/1960	Buttery	B65D 5/10 206/831
3,463,379	A *	8/1969	Dlugopolski	B65D 5/2047 229/110
3,700,161	A *	10/1972	Bundy	B65D 5/06 229/110
3,768,720	A *	10/1973	Bundy	B65D 5/06 229/117.19
D235,248	S *	6/1975	Bennet	D9/430
4,166,568	A *	9/1979	Swan	B65D 5/12 229/108
D266,487	S *	10/1982	Mansau	D9/430
D367,226	S *	2/1996	Ransbottom	D9/418
D402,201	S *	12/1998	Miller	D9/431

(Continued)

OTHER PUBLICATIONS

Octavin Premium Wine in a Box Kitchn. [online] Published on Sep. 2, 2010. Retrieved Dec. 17, 2018 from URL: <https://www.thekitchn.com/octavin-premium-wine-in-a-box-125843>.*

Nestle Abuelita Mexican Chocolate 19 Ounces, Amazon.com, Feb. 15, 2013, Available at <https://www.amazon.co.uk/Nestle-Abuelita-Mexican-Chocolate-ounces/dp/B00E0MX47U/ref=sr_1_fkmr0_1_a_it?ie=UTF8&qid=1518707477&sr=8-1-fkmr0&keywords=Nestle+Abuelita+Authentic+Mexican+Hot+Chocolate+Drink+Tablets+38.08+Oz.+Box>.

(Continued)

Primary Examiner — Vy N Koenig

(74) *Attorney, Agent, or Firm* — Sterne, Kessler, Goldstein & Fox P.L.L.C.

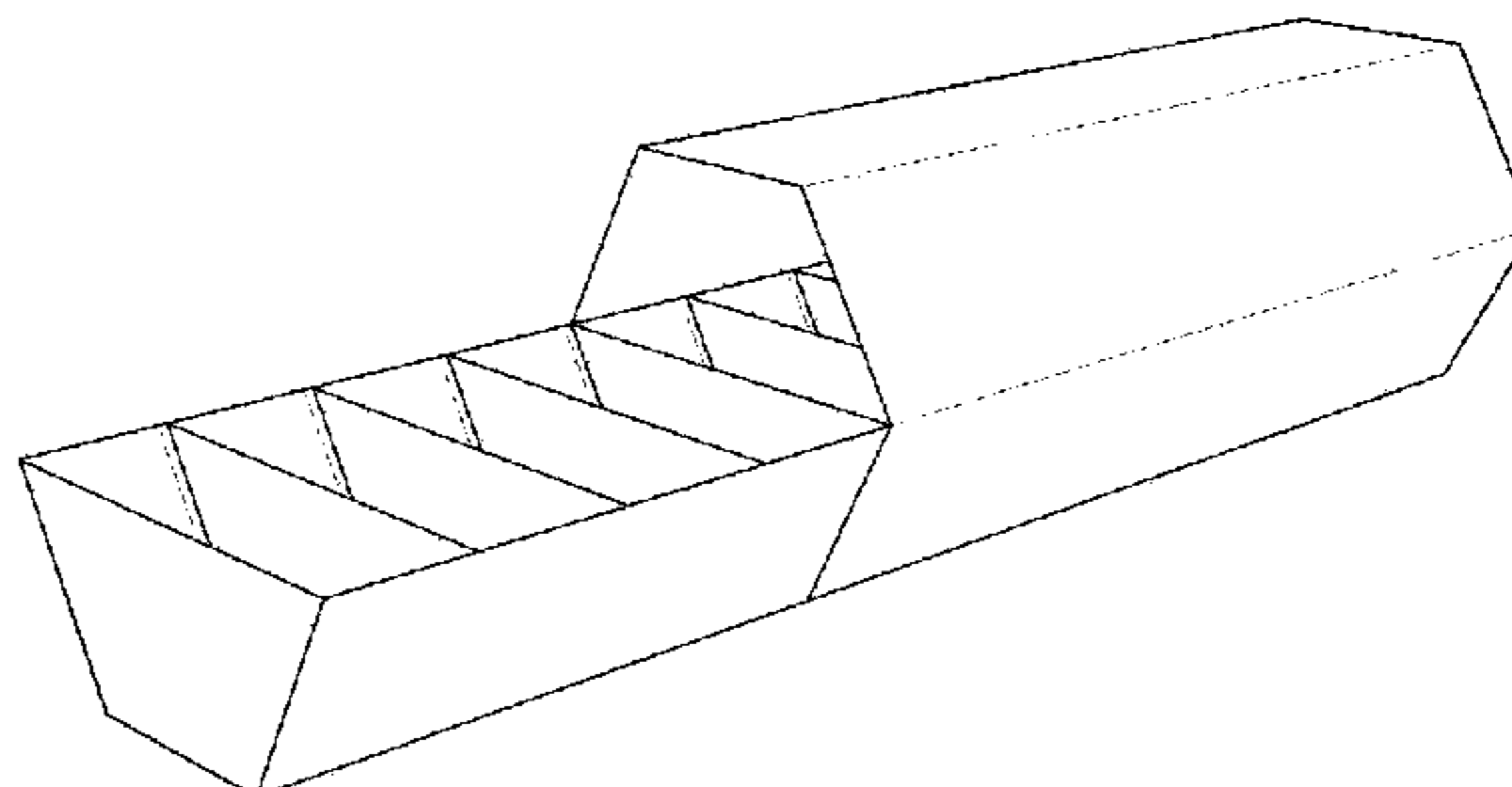
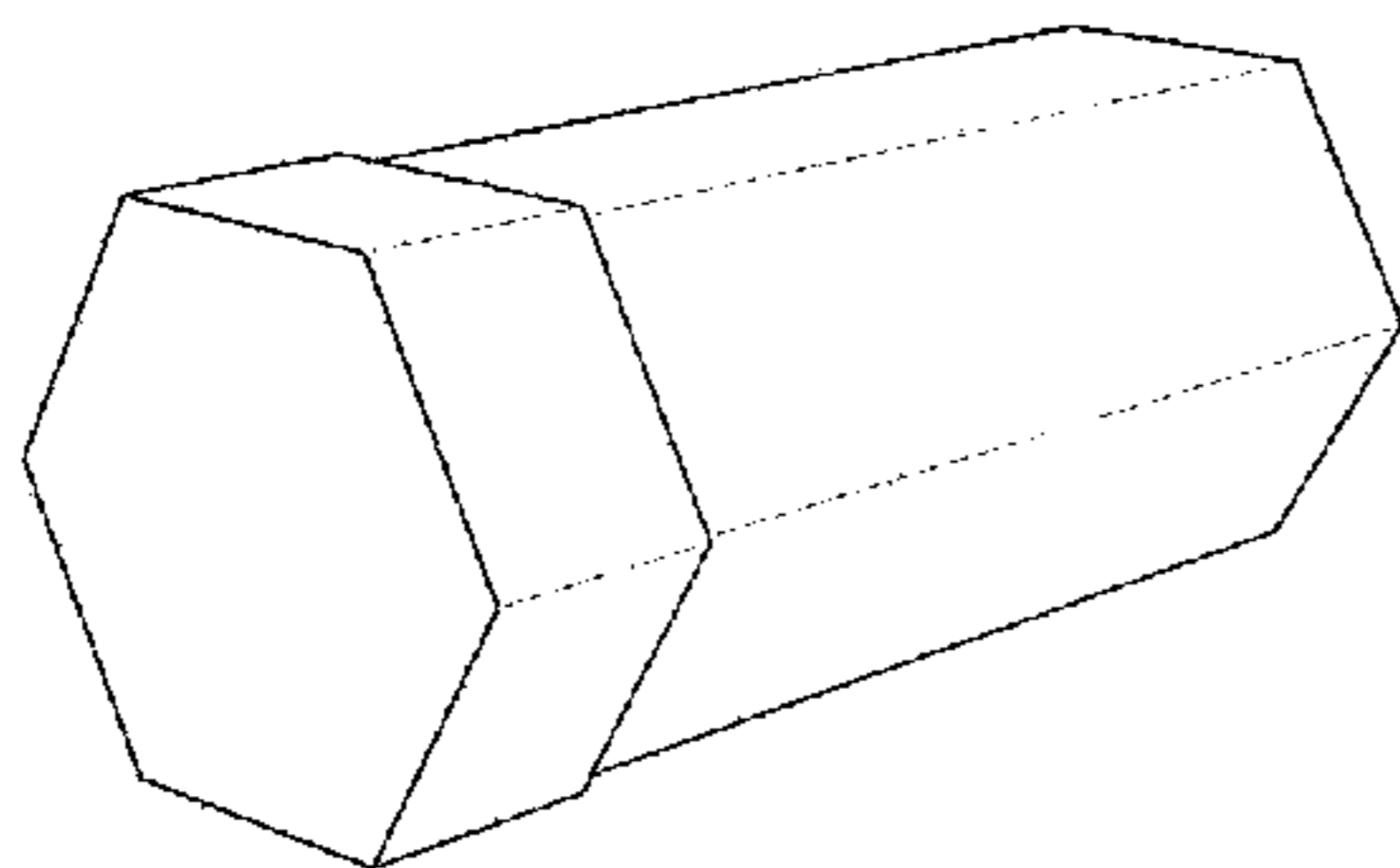
(57) **CLAIM**

The ornamental design for packaging, as shown and described.

DESCRIPTION

FIG. 1 is a top, front perspective view of a packaging showing the claimed design, consisting of a lid, outer portion and inner portion;
FIG. 2 is a front view thereof;
FIG. 3 is a rear view thereof;
FIG. 4 is a left side view thereof;
FIG. 5 is a right side view thereof;
FIG. 6 is a top view thereof;
FIG. 7 is a bottom view thereof;
FIG. 8 is a top, front perspective view of the packaging of FIG. 1 in an open configuration with the inner portion of the packaging shown partially removed from the packaging;
FIG. 9 is a front view of the inner portion of the packaging of FIG. 8 shown separately to show aspects of the design that may not be apparent in the other views;
FIG. 10 is a rear view thereof;
FIG. 11 is a left side view thereof;
FIG. 12 is a right side view thereof;
FIG. 13 is a top view thereof;
FIG. 14 is a bottom view thereof; and,
FIG. 15 is a top front perspective view thereof.

1 Claim, 7 Drawing Sheets



(56)

References Cited

U.S. PATENT DOCUMENTS

D411,079 S * 6/1999 Graham D7/624.2
D464,882 S * 10/2002 Weinstein D9/430
6,683,289 B2 * 1/2004 Whitmore B65D 5/029
219/729
D502,646 S * 3/2005 Postulka D9/430
D570,682 S * 6/2008 Erden D9/430
D616,300 S * 5/2010 Shaikh D9/430
D672,645 S * 12/2012 Giannini D9/430
D700,837 S * 3/2014 Antal, Sr. D9/419
D719,824 S * 12/2014 Wagner D9/430
D756,037 S * 5/2016 Schlatter D28/85
D772,055 S * 11/2016 O'Dowd D9/430
D786,668 S * 5/2017 Cornaglia D9/418
2006/0261060 A1 * 11/2006 Baez B65D 11/1873
220/4.21

OTHER PUBLICATIONS

John Kell, "Pringles Are Getting a New, Loud Look" Fortune.com, Jan. 9, 2017, Available at <<http://fortune.com/2017/01/09/kellogg-new-pringles-launch/>>.
SAP UX Design Services, "Mosaic—Creative Spaces Toolkit by SAP Design" Vimeo.com, Sep. 14, 2017, Available at <<https://vimeo.com/233787592>>.

* cited by examiner

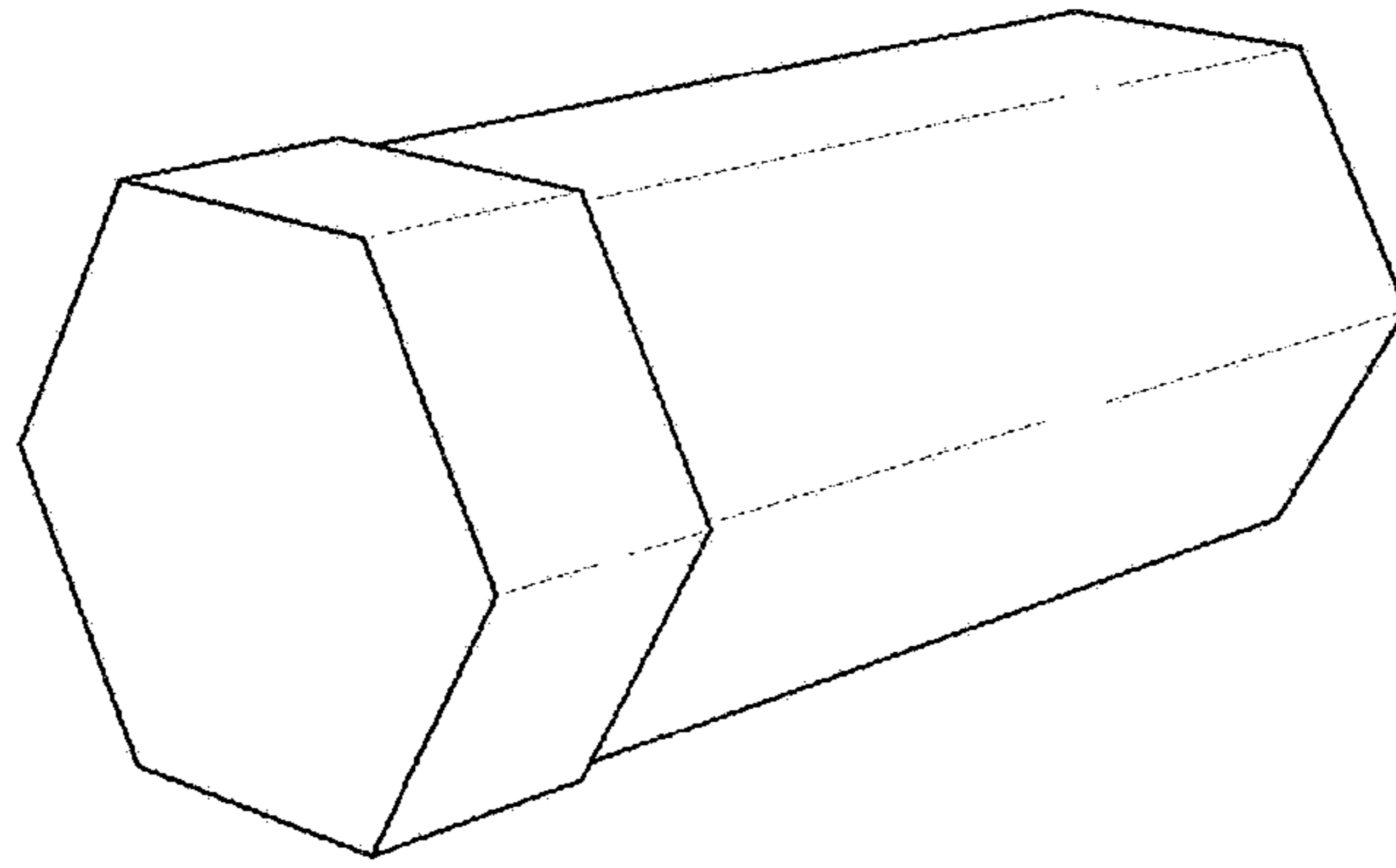


FIG. 1

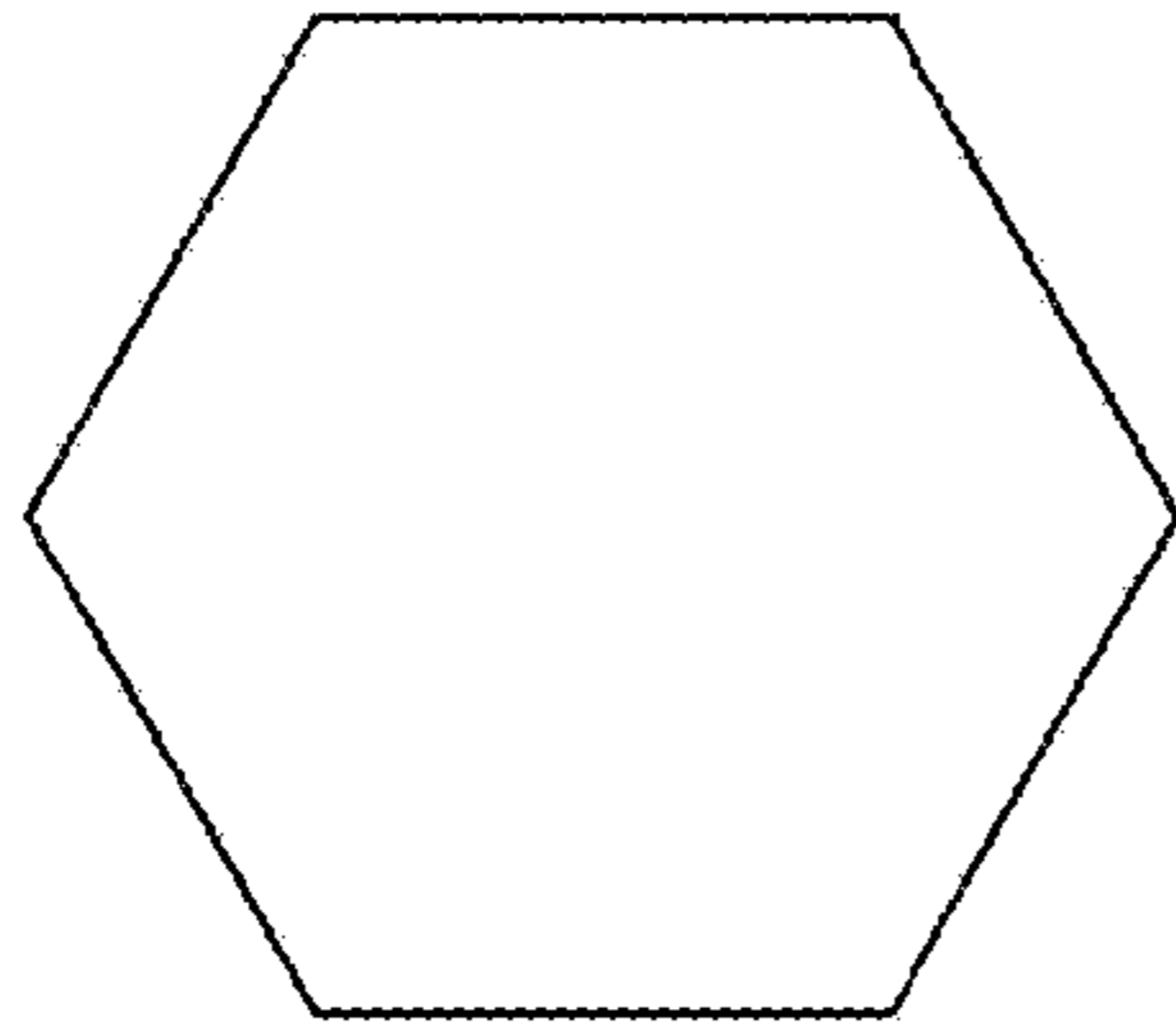


FIG. 2

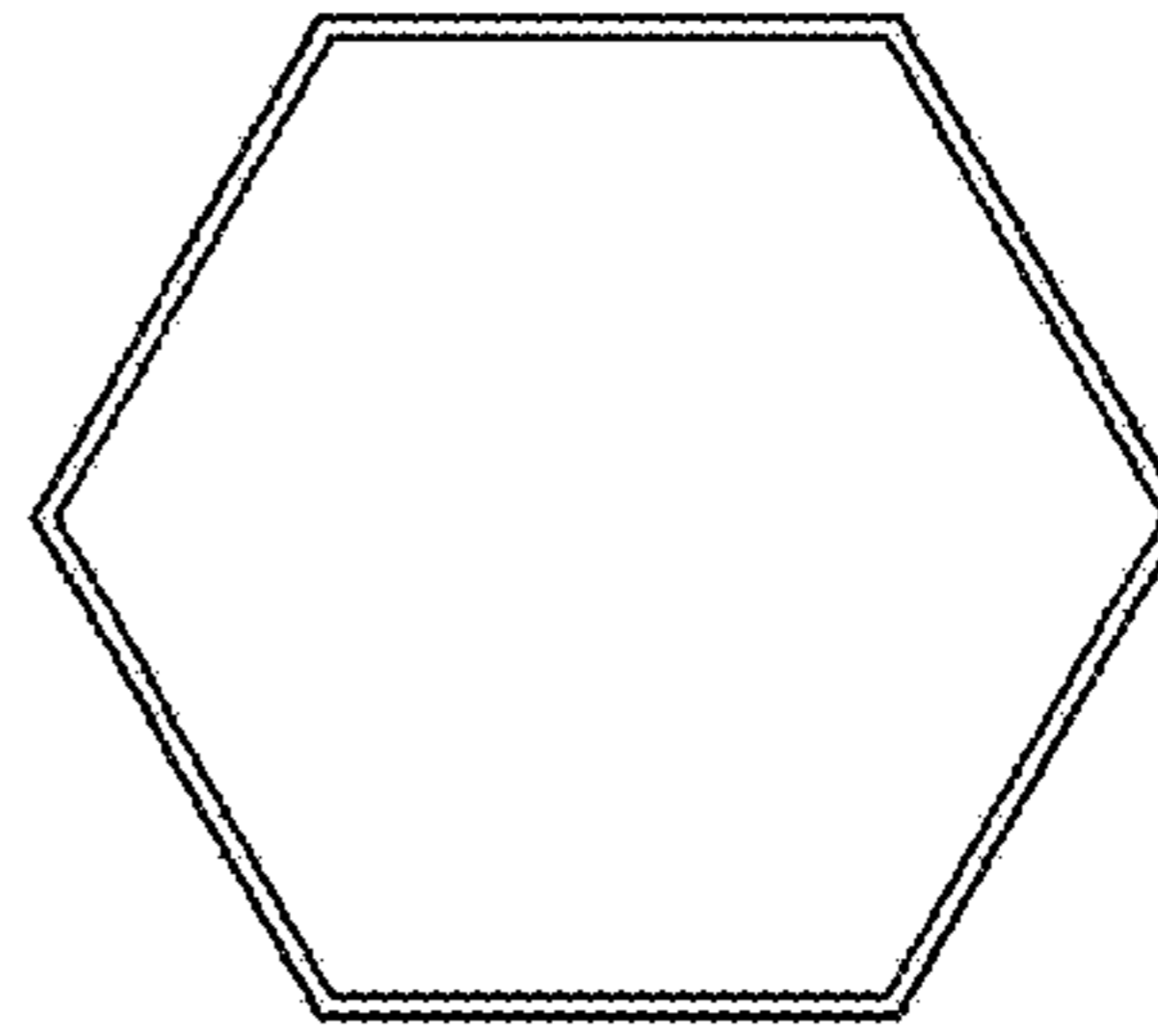


FIG. 3

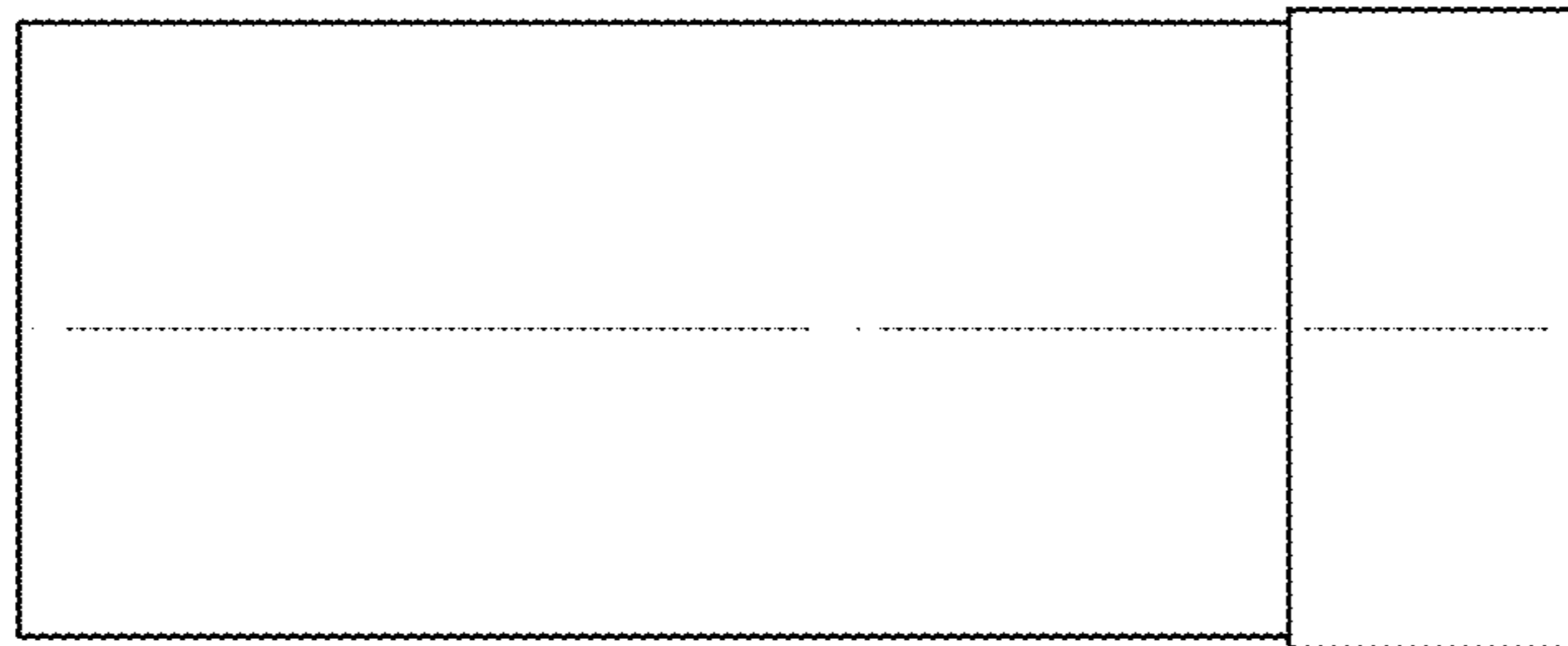


FIG. 4

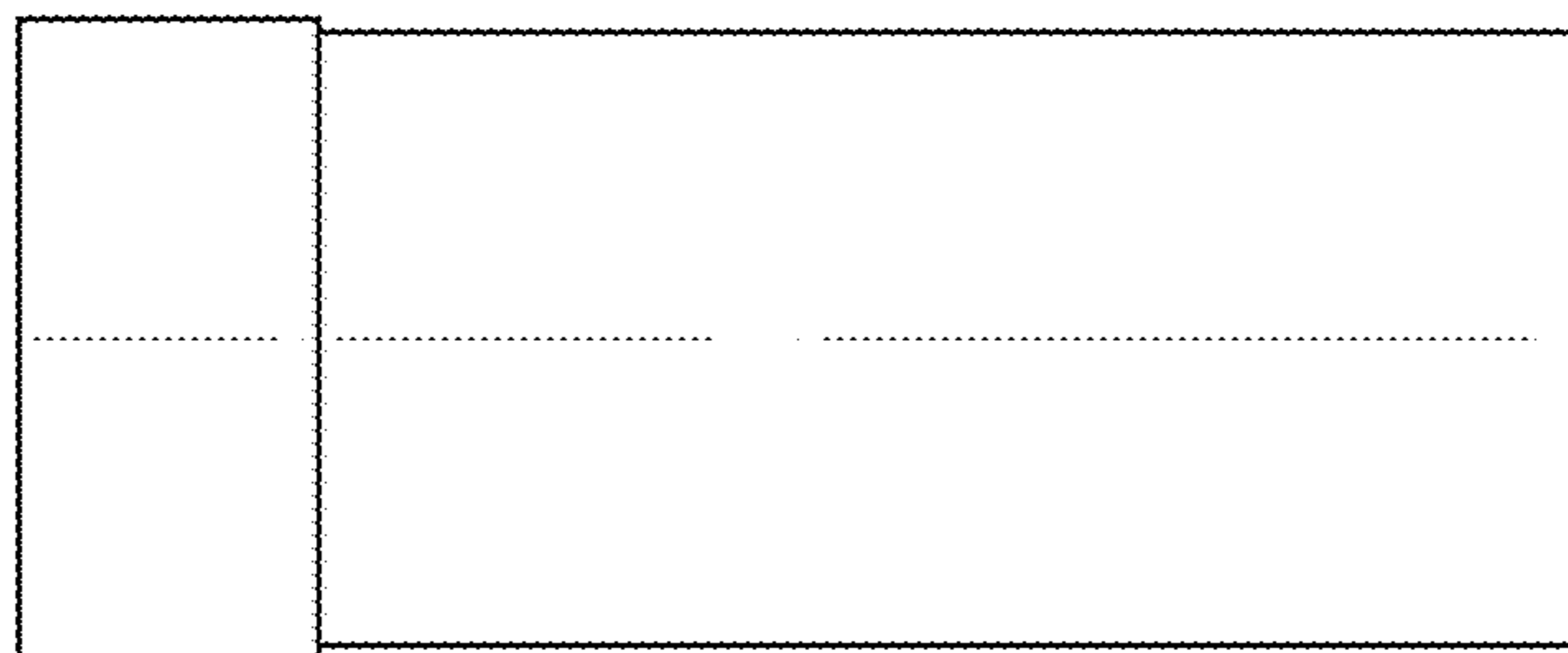


FIG. 5

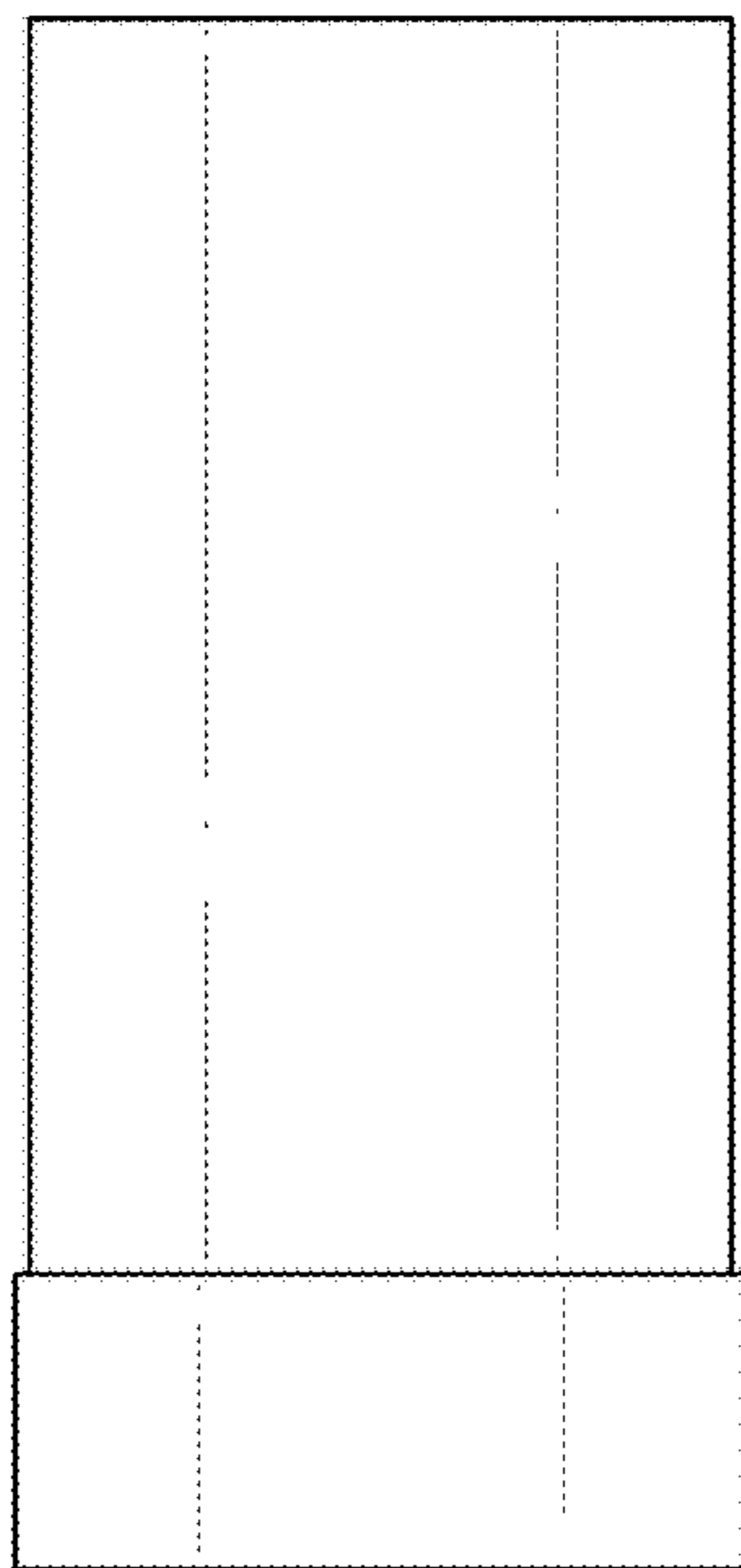


FIG. 6

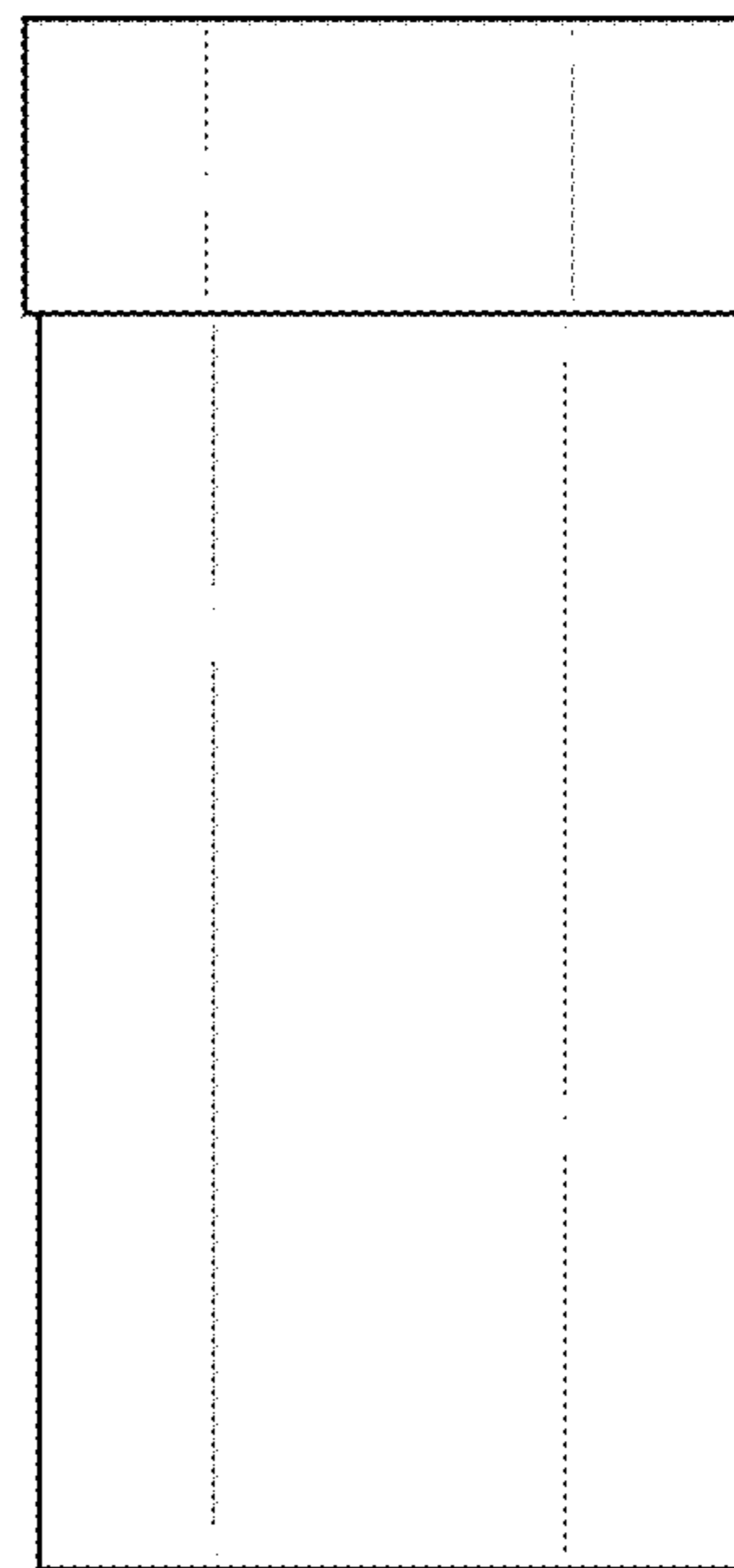


FIG. 7

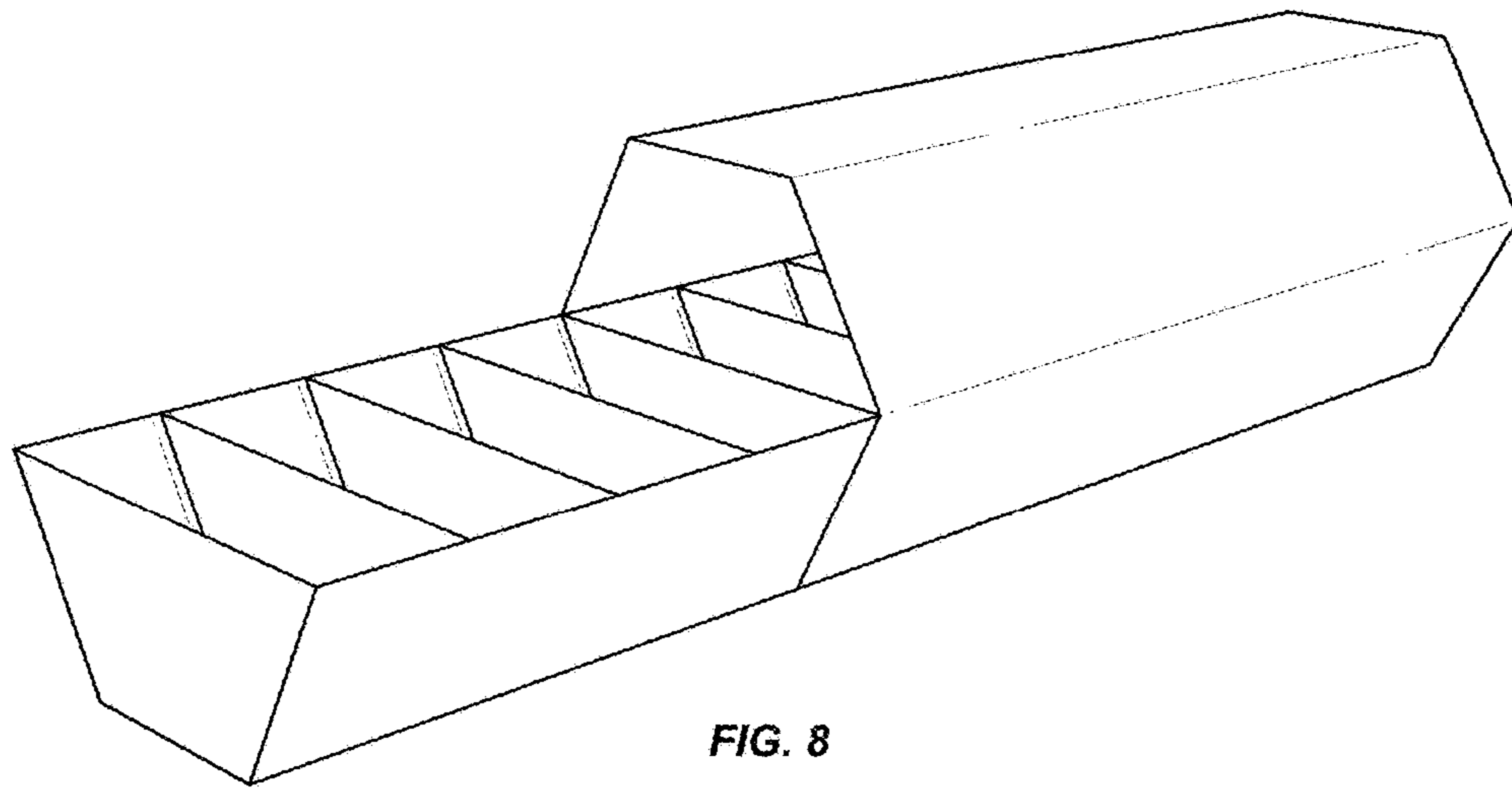


FIG. 8



FIG. 9

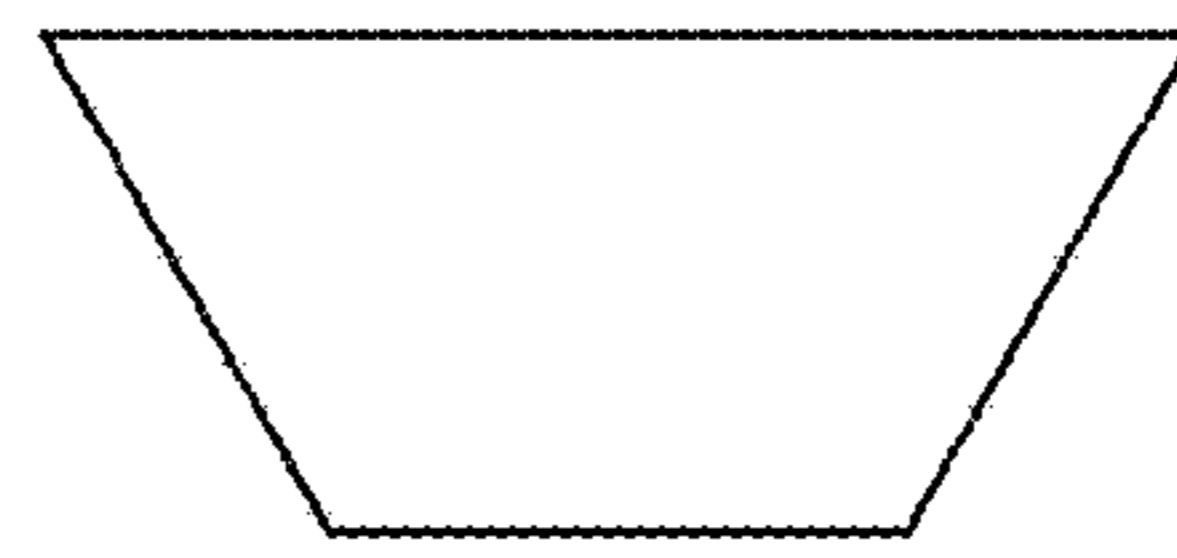


FIG. 10



FIG. 11



FIG. 12

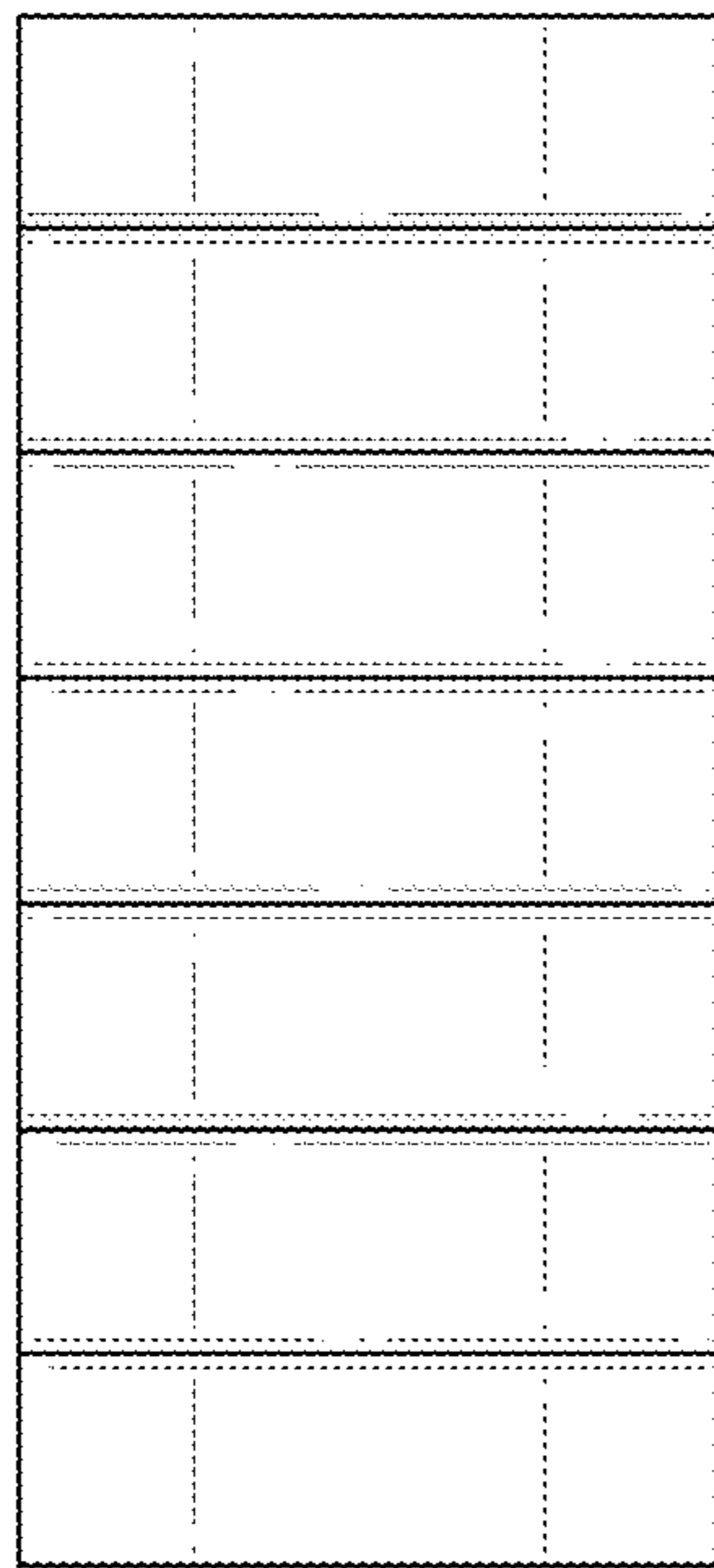


FIG. 13

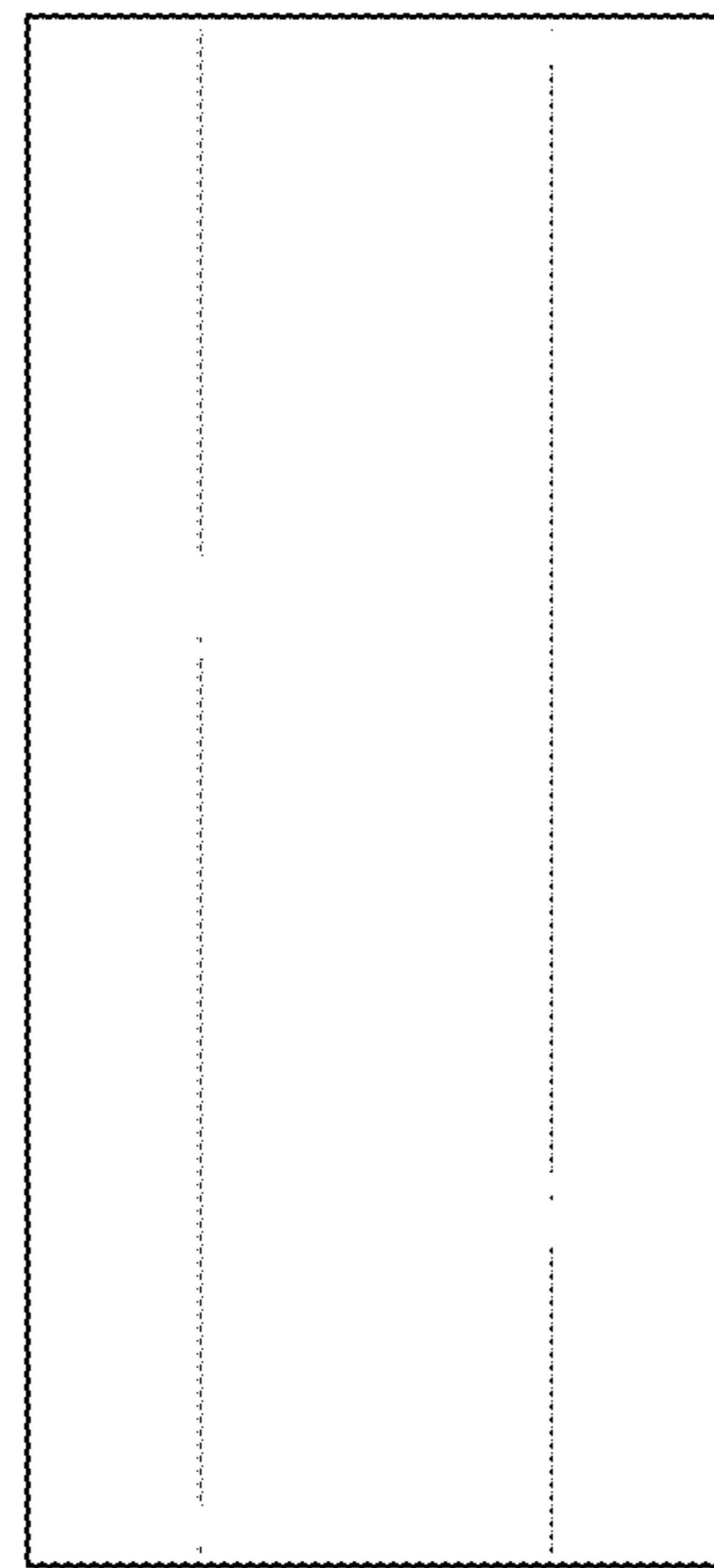


FIG. 14

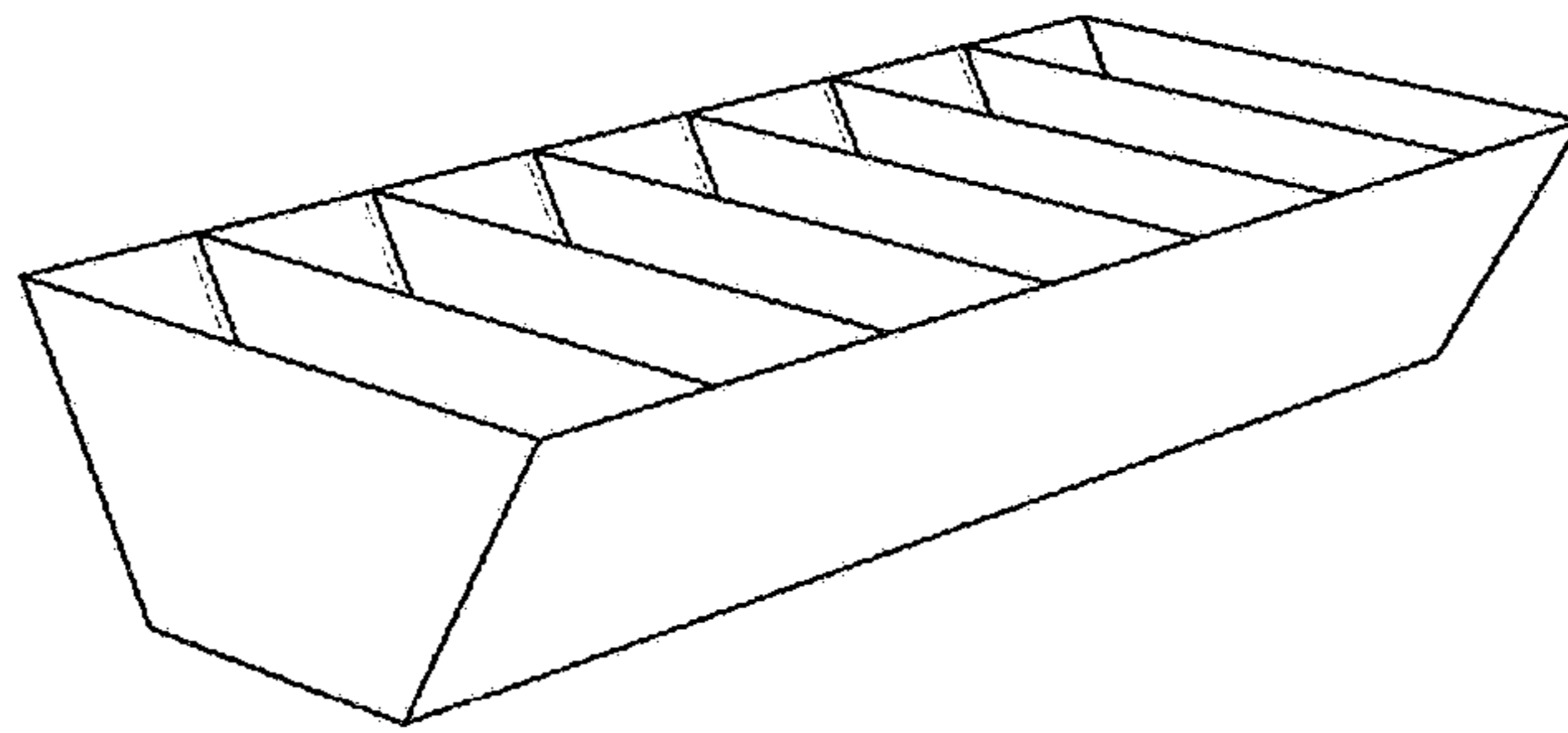


FIG. 15