



US00D849528S

(12) **United States Design Patent**
Riha

(10) **Patent No.:** **US D849,528 S**

(45) **Date of Patent:** **** May 28, 2019**

- (54) **ROD PACKAGING BOX**
- (71) Applicant: **CERATIZIT AUSTRIA
GESELLSCHAFT M.B.H., Reutte
(AT)**
- (72) Inventor: **Gerhard Riha, Hall In Tirol (AT)**
- (73) Assignee: **CERATIZIT Austria Gesellschaft
m.b.H., Reutte (AT)**

3,482,760 A * 12/1969 Boehm B65D 5/0254
229/115
3,606,230 A * 9/1971 Hargreaves B60R 9/052
211/70.1
3,891,136 A * 6/1975 Woeste B65D 85/671
206/815
4,253,601 A * 3/1981 Kossoff B65D 5/10
229/115
D267,544 S * 1/1983 Neto D9/414
D334,887 S * 4/1993 Barbans D6/680
(Continued)

(**) Term: **15 Years**

(21) Appl. No.: **29/627,048**

(22) Filed: **Nov. 22, 2017**

(51) **LOC (11) Cl.** **09-03**

(52) **U.S. Cl.**
USPC **D9/430**

(58) **Field of Classification Search**
USPC D9/414-423, 424-429, 430-432, 433,
D9/434, 456, 457, 711, 713, 721-722
CPC ... B65D 5/00; B65D 5/02; B65D 5/18; B65D
5/20
See application file for complete search history.

(56) **References Cited**

U.S. PATENT DOCUMENTS

1,457,770 A * 6/1923 Dodge B65D 65/04
229/115
1,758,585 A * 5/1930 Riegel B65D 5/0254
229/115
1,833,419 A * 11/1931 Grossen B65D 81/36
206/102
1,897,143 A * 2/1933 Powell B65D 83/0847
206/395
2,003,600 A * 6/1935 Lowenfels B65D 5/10
206/822
2,227,341 A * 12/1940 Greenwood B65D 5/0227
229/108.1
3,199,765 A * 8/1965 Locke B65D 5/02
206/395

OTHER PUBLICATIONS

FedEx Packaging Tube Delivery. [online] Published on Jul. 8, 2001.
Retrieved Dec. 17, 2018 from URL: http://www.fedex.com/cn_english/tools/package6.html.*

Primary Examiner — Vy N Koenig
(74) *Attorney, Agent, or Firm* — Laurence A. Greenberg;
Werner H. Stemer; Ralph E. Locher

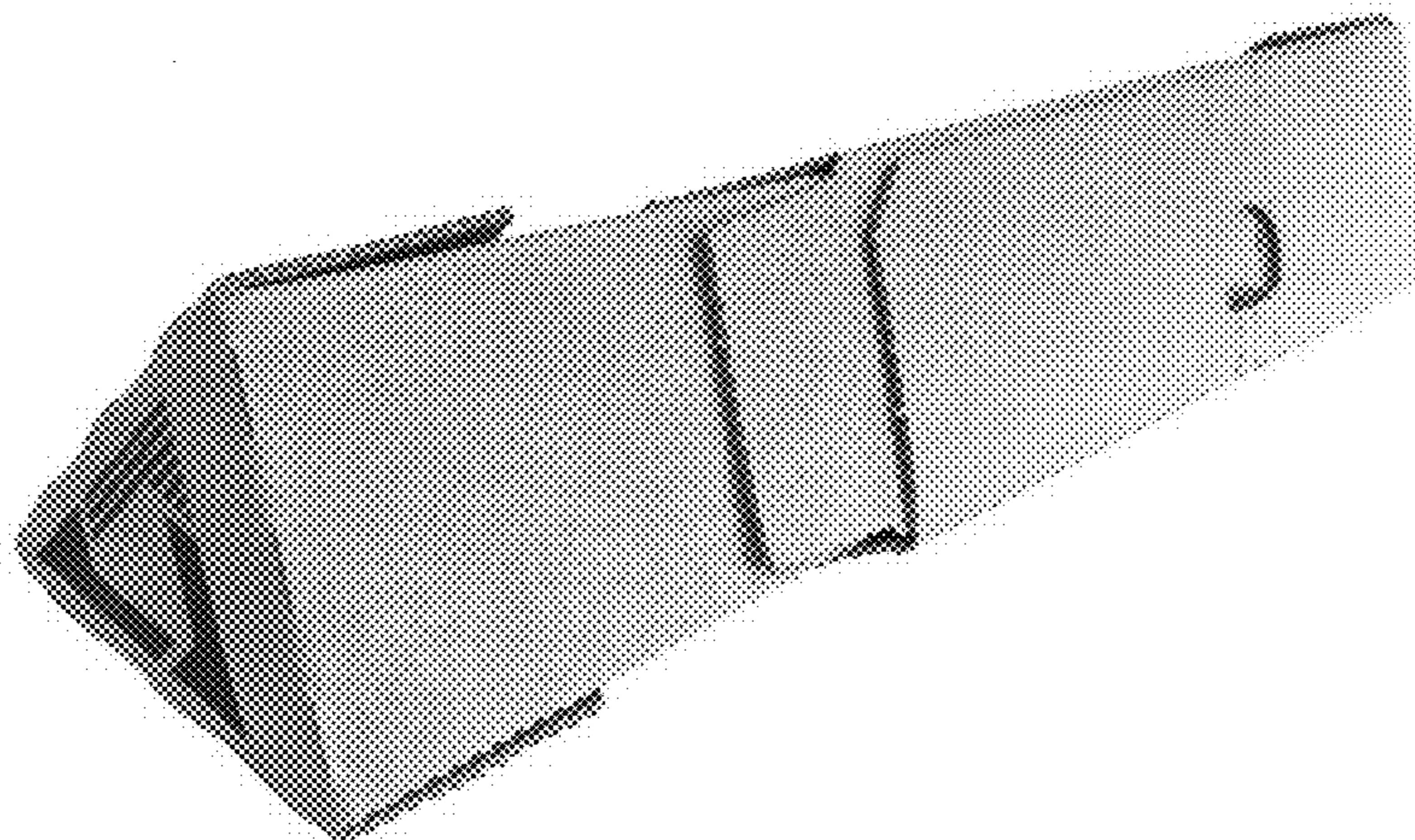
(57) **CLAIM**

The ornamental design for a rod packaging box, as shown and described.

DESCRIPTION

The patent or application file contains at least one drawing executed in color. Copies of this patent or patent application publication with color drawing(s) will be provided by the Office upon request and payment of the necessary fee.
FIG. 1 is a front perspective view of the rod packaging box showing my new invention;
FIG. 2 is a right side perspective view thereof;
FIG. 3 is a left side perspective view thereof;
FIG. 4 is a top view thereof;
FIG. 5 is a rear perspective view thereof;
FIG. 6 is a bottom perspective view thereof; and,
FIG. 7 is a bottom view thereof.

1 Claim, 7 Drawing Sheets
(7 of 7 Drawing Sheet(s) Filed in Color)



(56)

References Cited

U.S. PATENT DOCUMENTS

5,417,341 A * 5/1995 Petriekis B65D 5/04
206/495
D398,429 S * 9/1998 LeBlanc D34/6
5,873,514 A * 2/1999 Brooks B65D 5/0281
206/268
D529,815 S * 10/2006 Frasier D9/636
D586,454 S * 2/2009 Nishio D23/393
D672,233 S * 12/2012 Green D9/431
D683,214 S * 5/2013 McAdam D9/430
D684,463 S * 6/2013 Elfstrum D9/430
2007/0000979 A1 * 1/2007 West B65D 5/029
229/115

* cited by examiner

FIG. 1

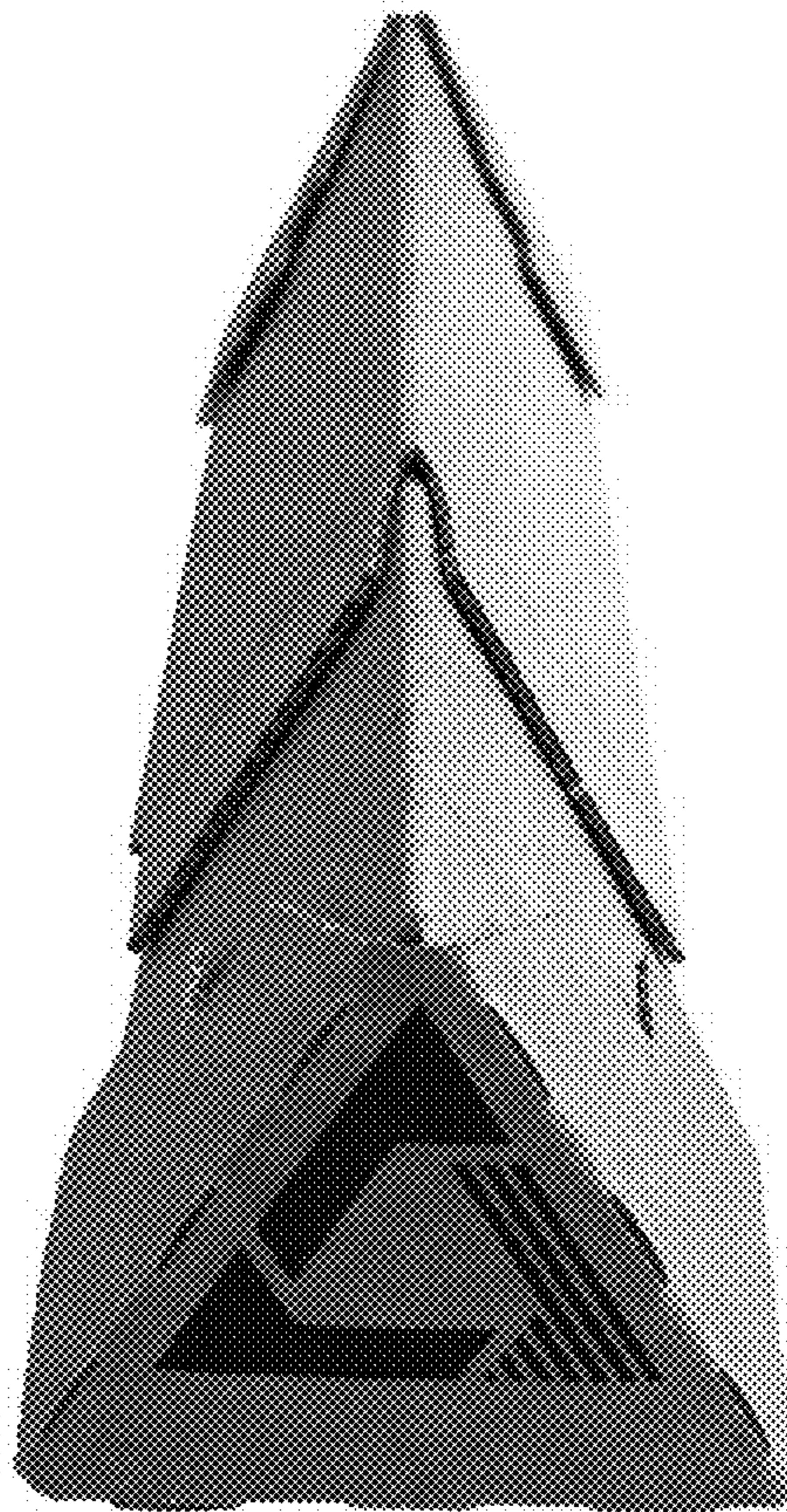


FIG. 2

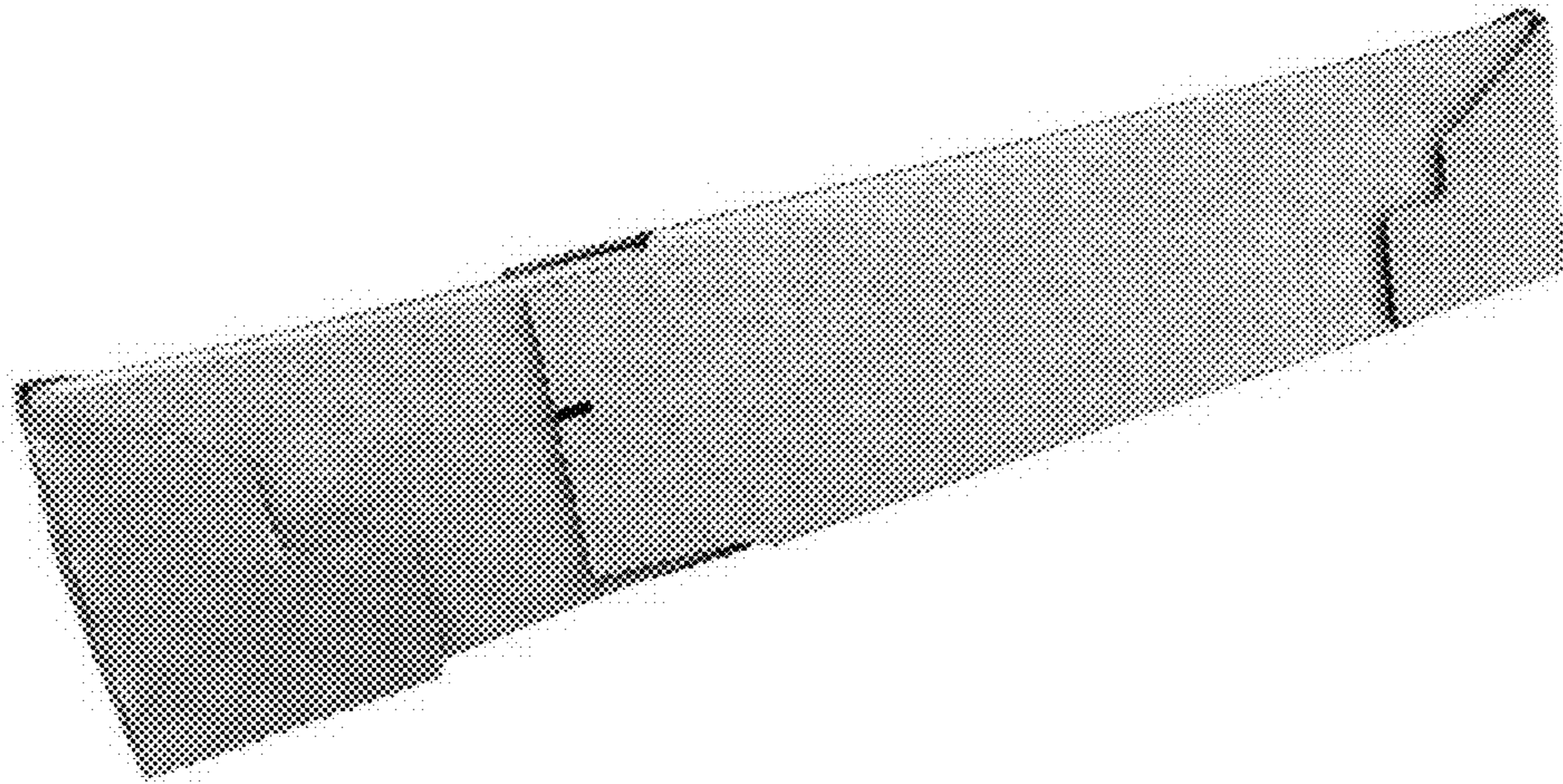
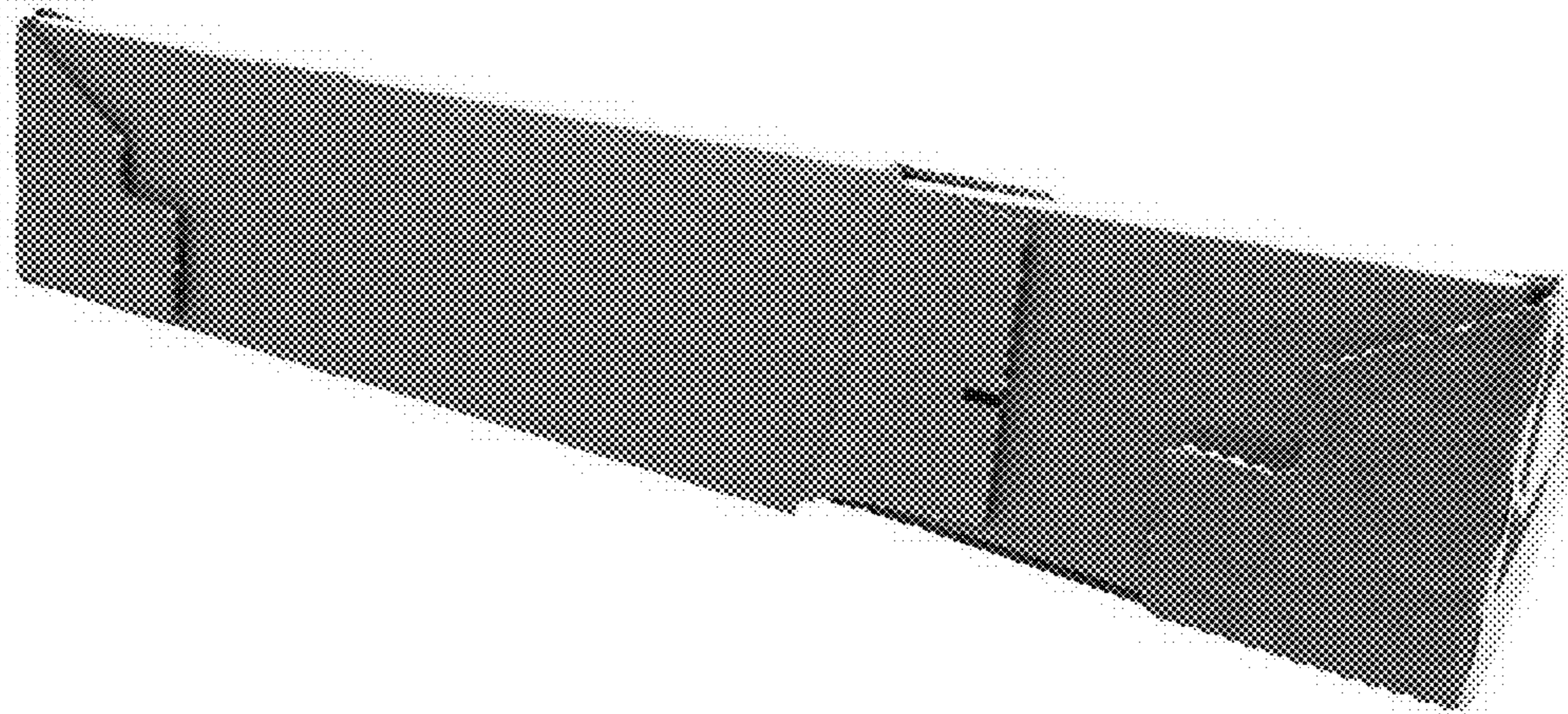


FIG. 3



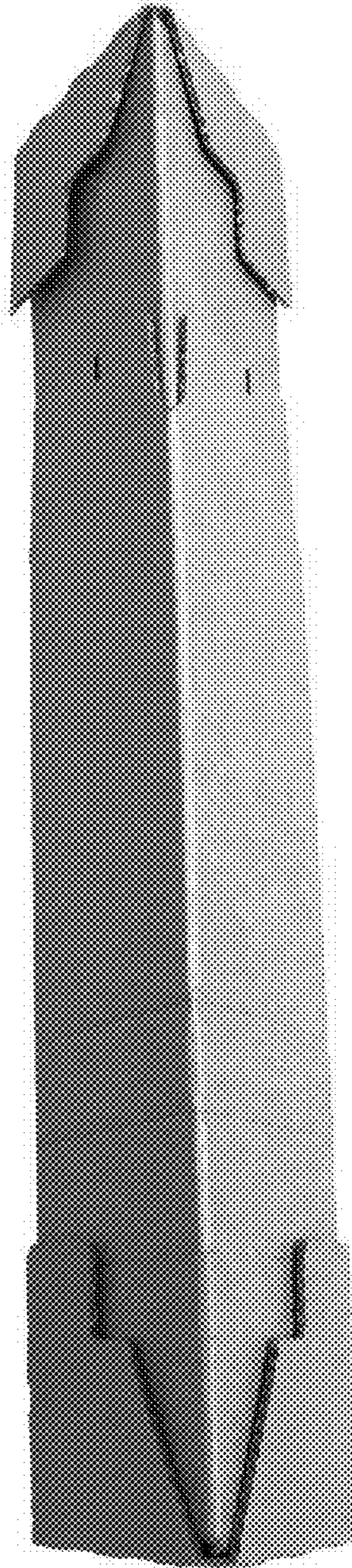


FIG. 4

FIG. 5

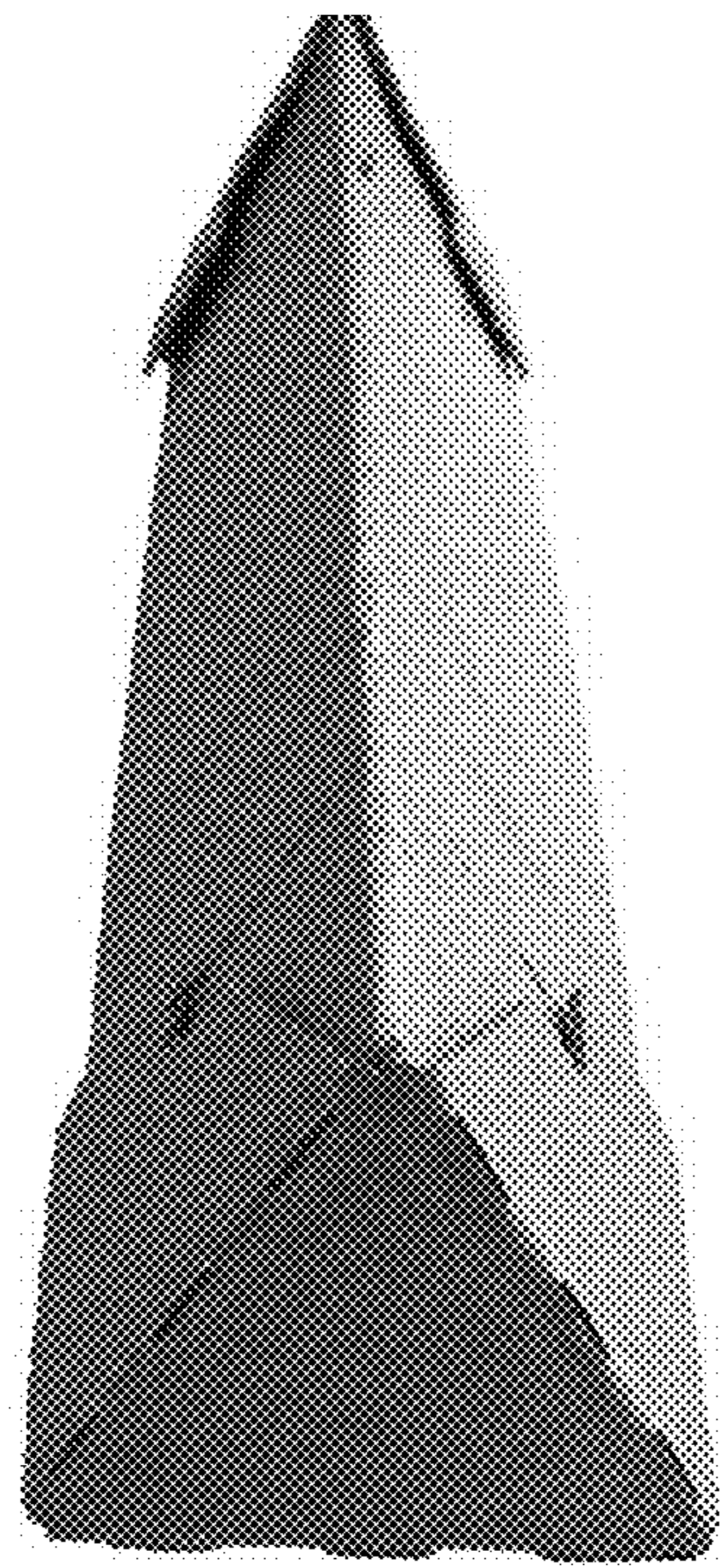
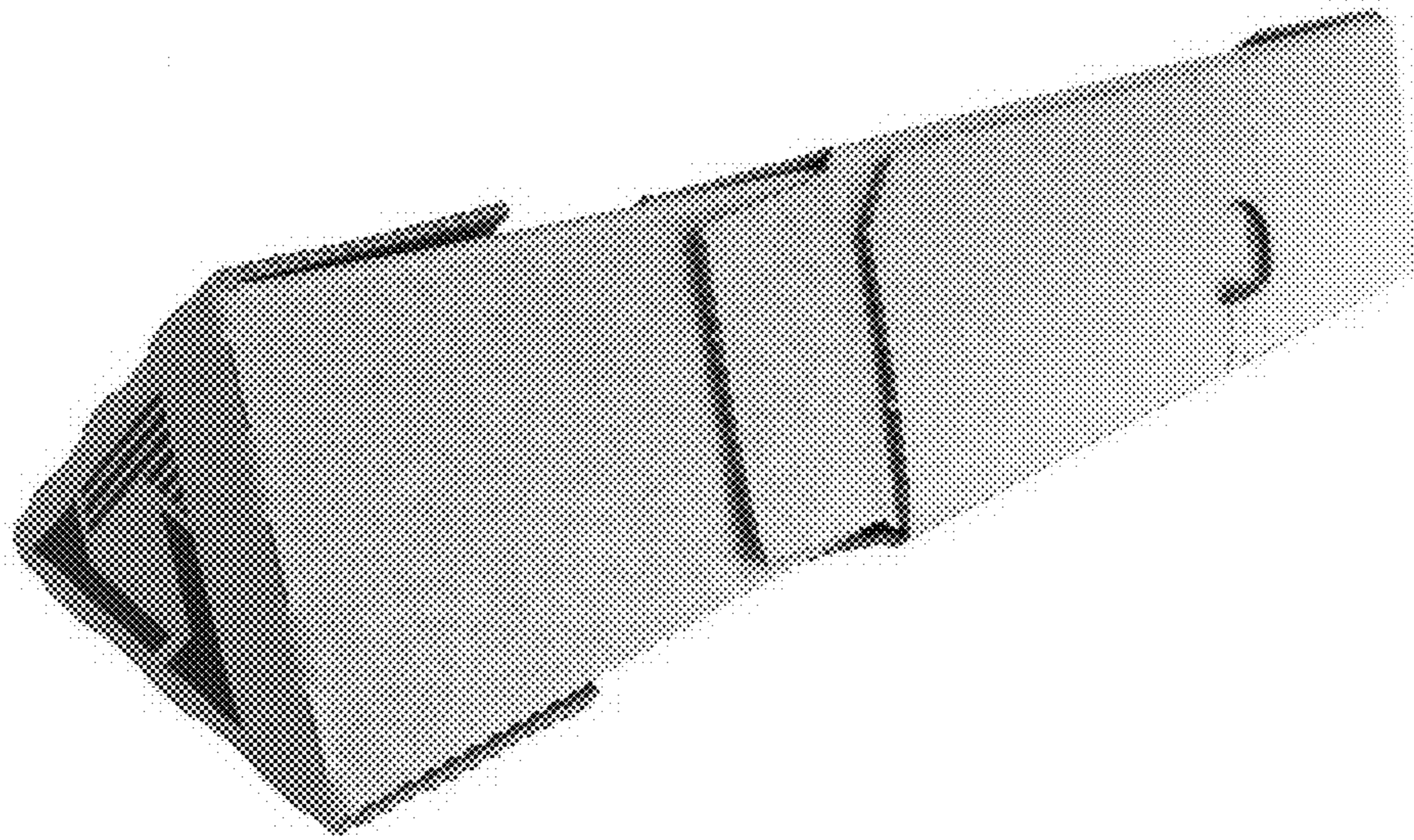


FIG. 6



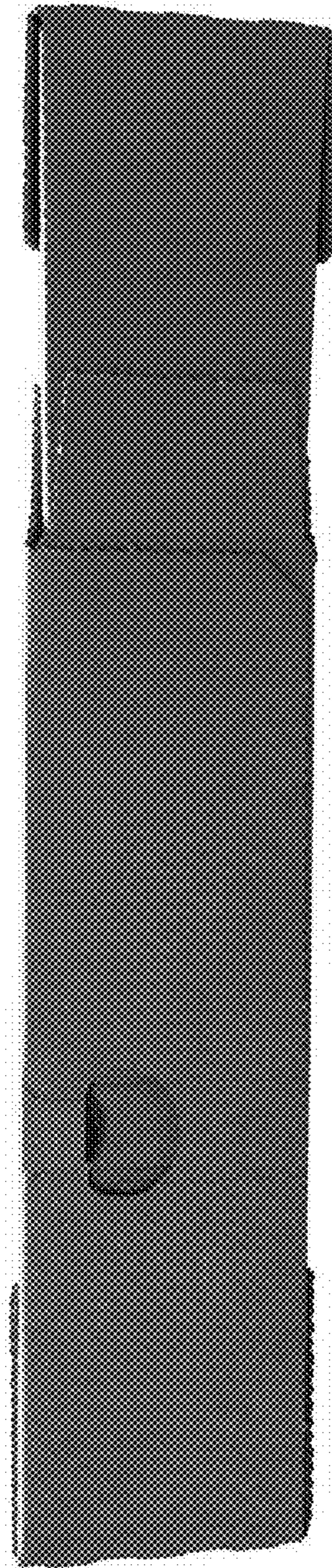


FIG. 7