



US00D849526S

(12) **United States Design Patent** (10) **Patent No.:** **US D849,526 S**
Sanders et al. (45) **Date of Patent:** **** May 28, 2019**

(54) **FOOD CONTAINER**

(71) Applicant: **Kellogg Company**, Battle Creek, MI (US)

(72) Inventors: **Sean Sanders**, Chicago, IL (US); **Matthew J. Costello**, Chicago, IL (US); **Derek A. Smith**, Chicago, IL (US); **Jeff Nuss**, Hickory Corners, MI (US); **Donald Joswick**, Portage, MI (US); **Mark Allen Fager**, Madison, WI (US)

(73) Assignee: **Kellogg Company**, Battle Creek, MI (US)

(**) Term: **15 Years**

(21) Appl. No.: **29/604,920**

(22) Filed: **May 22, 2017**

(51) **LOC (11) Cl.** **09-03**

(52) **U.S. Cl.**
USPC **D9/425**

(58) **Field of Classification Search**
USPC D7/396.1, 538-542, 602, 608, 629; D9/414, 424-429, 432, 761; 206/499, 206/508, 557; 220/23.4, 23.6, 315, 500, 220/659, 669, 674, 675, 696, 752, 760, 220/790, 793; 229/105, 117.09, 117.26, 229/189, 406, 407, 902, 905
CPC ... B65D 1/34; B65D 1/36; B65D 1/40; B65D 25/04; B65D 43/00; B65D 43/02; B65D 81/34; B65D 81/3446; B65D 2543/00; B65D 2581/34

See application file for complete search history.

D256,669 S * 9/1980 Mitchell D9/428
D285,656 S * 9/1986 Champion D7/511
6,595,366 B1 * 7/2003 Brown B65D 43/0222
206/525
D478,478 S * 8/2003 Soohoo D11/152
D483,690 S * 12/2003 Sieverding D11/152
D634,617 S * 3/2011 Sellari D9/424
D637,481 S * 5/2011 Sellari D9/424
D675,519 S * 2/2013 Knuston D9/429
D695,111 S * 12/2013 Hansen B65D 85/8043
D9/429
D739,723 S * 9/2015 Dorfman D9/425

* cited by examiner

Primary Examiner — Derrick E Holland
Assistant Examiner — Janice Patyk

(74) *Attorney, Agent, or Firm* — Honigman LLP; Kathryn D. Doyle, Esq.; Jonathan P. O'Brien

(57) **CLAIM**

We claim the ornamental design for a food container, as shown and described.

DESCRIPTION

FIG. 1 is a perspective view of a food container in accordance with our new design;
FIG. 2 is an exploded perspective view of the food container of FIG. 1;
FIG. 3 is a top plan view of the food container of FIG. 1;
FIG. 4 is a side elevation view of the food container of FIG. 1, the opposite side and rear elevation views being a mirror images, and front elevation view being identical thereof; and,
FIG. 5 is a bottom plan view of the food container of FIG. 1.

The broken lines in the figures illustrate the portions of the design that form no part of the claimed design.

1 Claim, 4 Drawing Sheets

(56) **References Cited**

U.S. PATENT DOCUMENTS

D213,491 S * 3/1969 Beeman 220/DIG. 13
D243,030 S * 1/1977 Gross D11/152

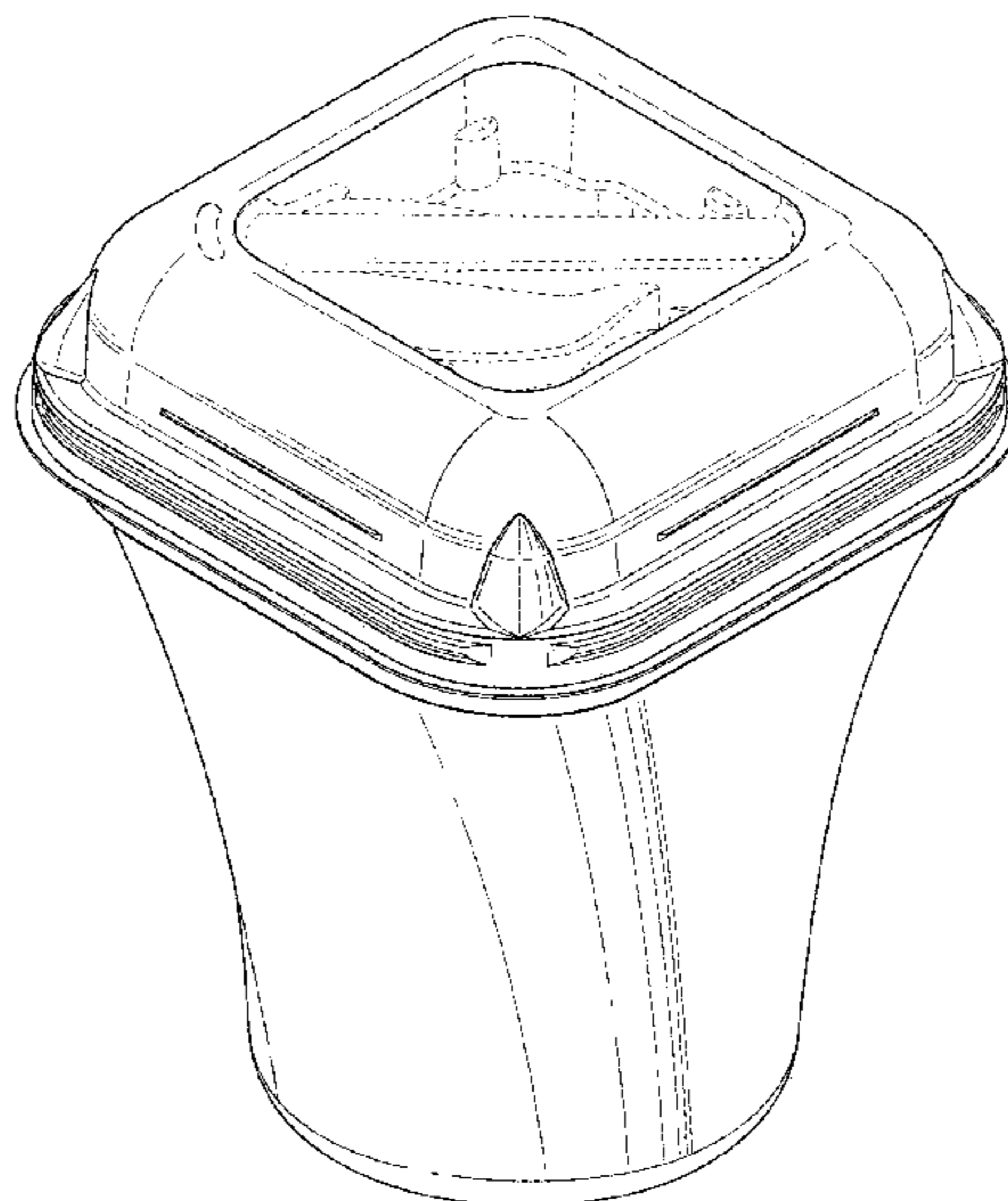


FIG. 1

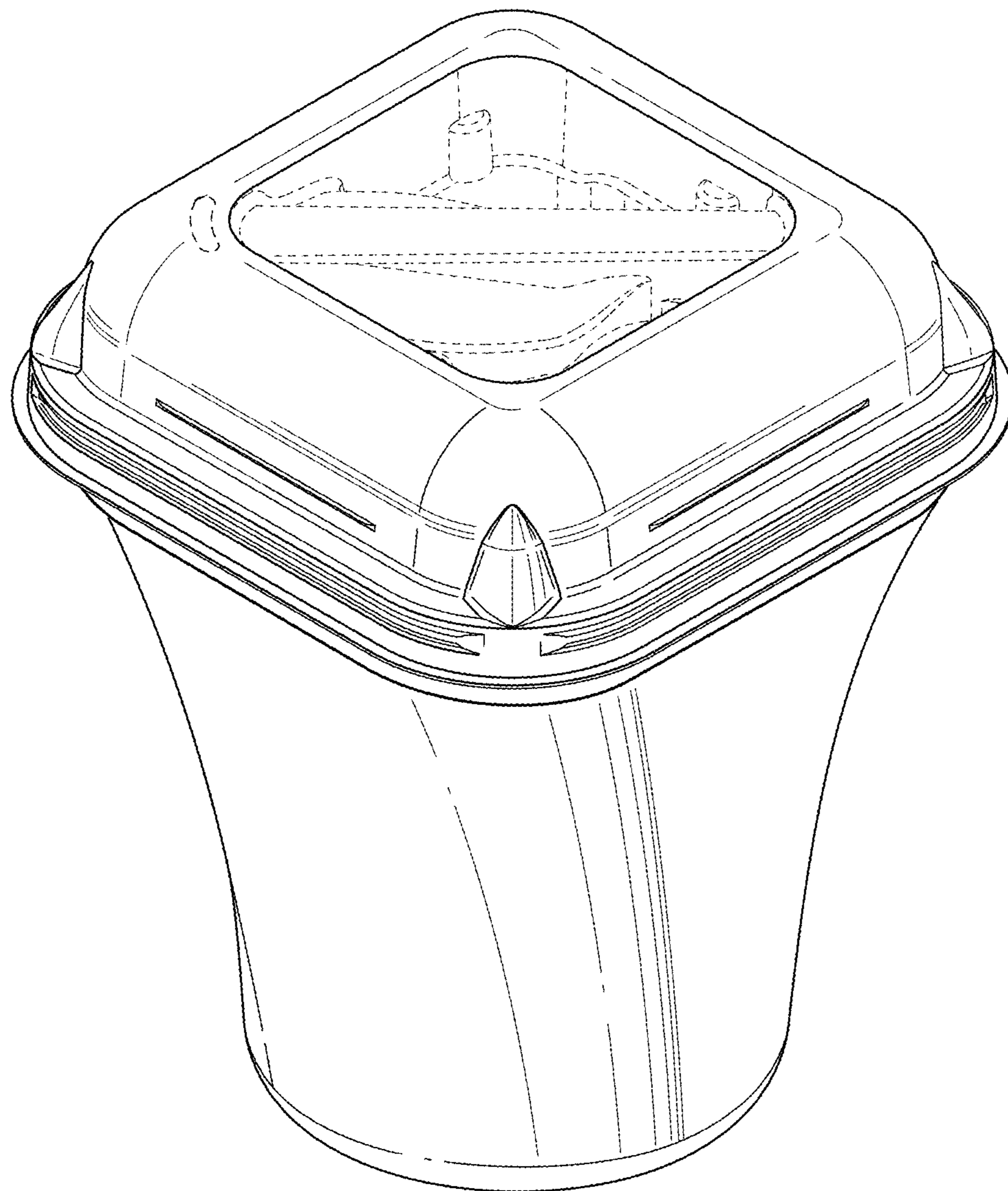


FIG. 2

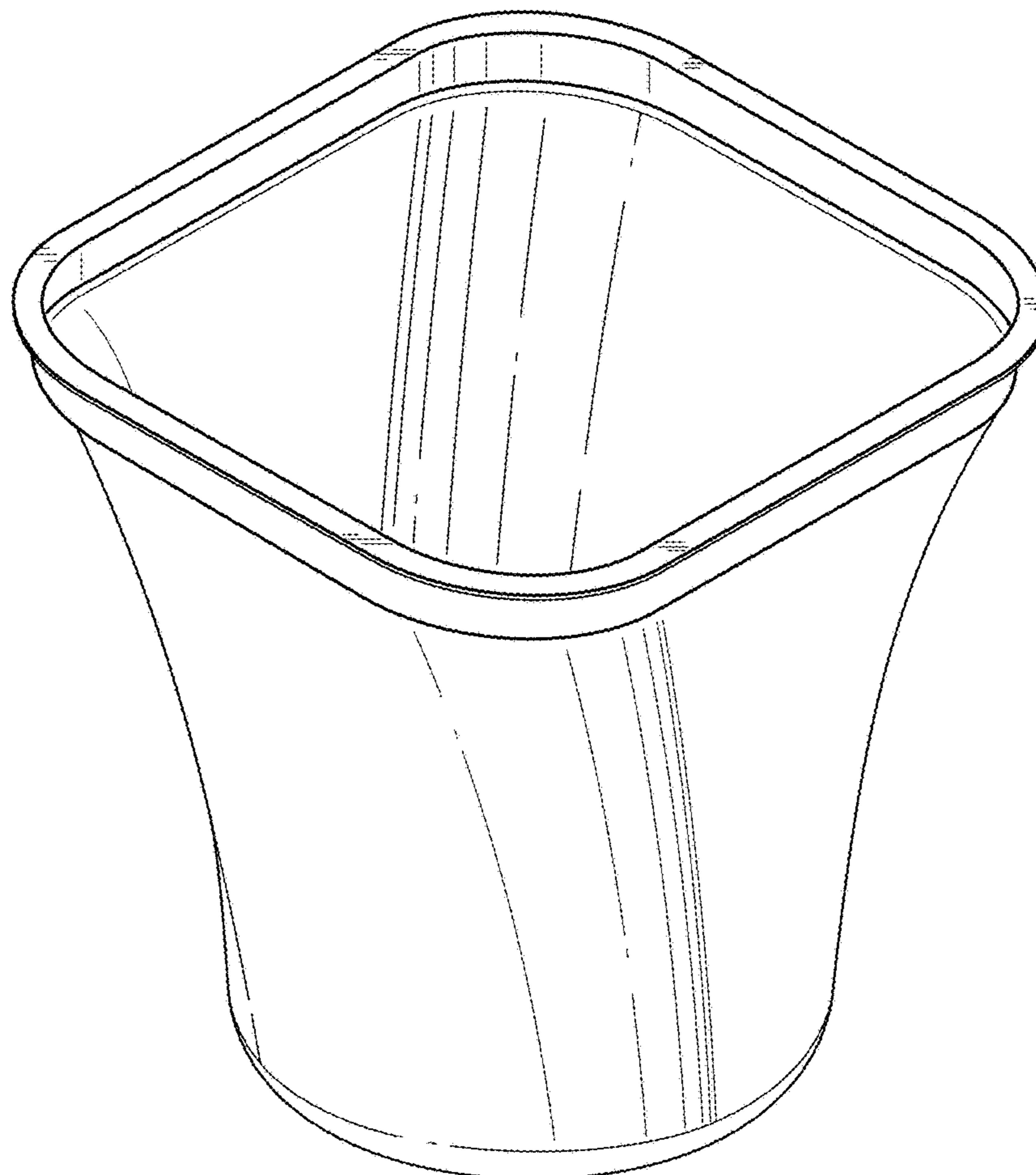
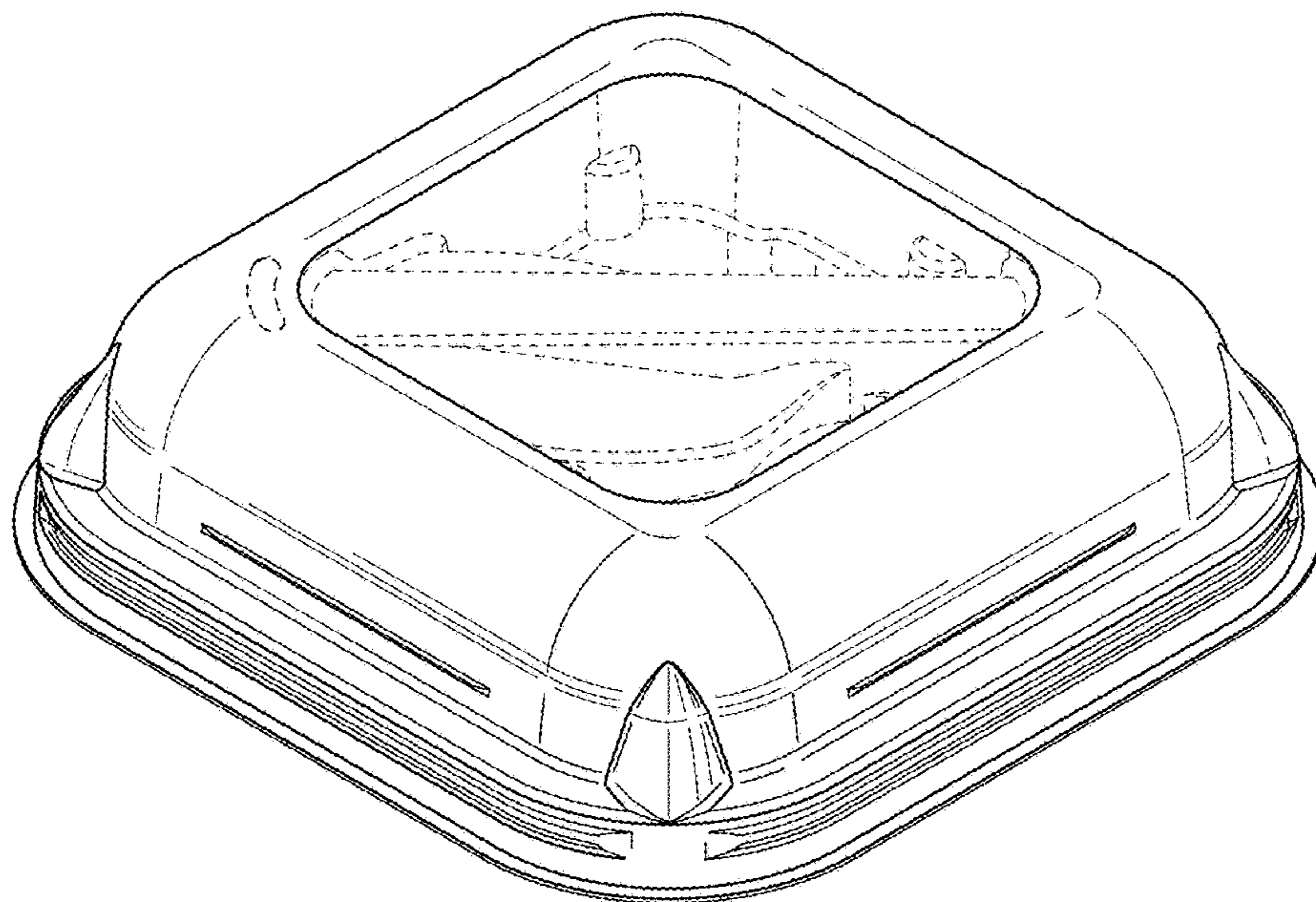


FIG. 3

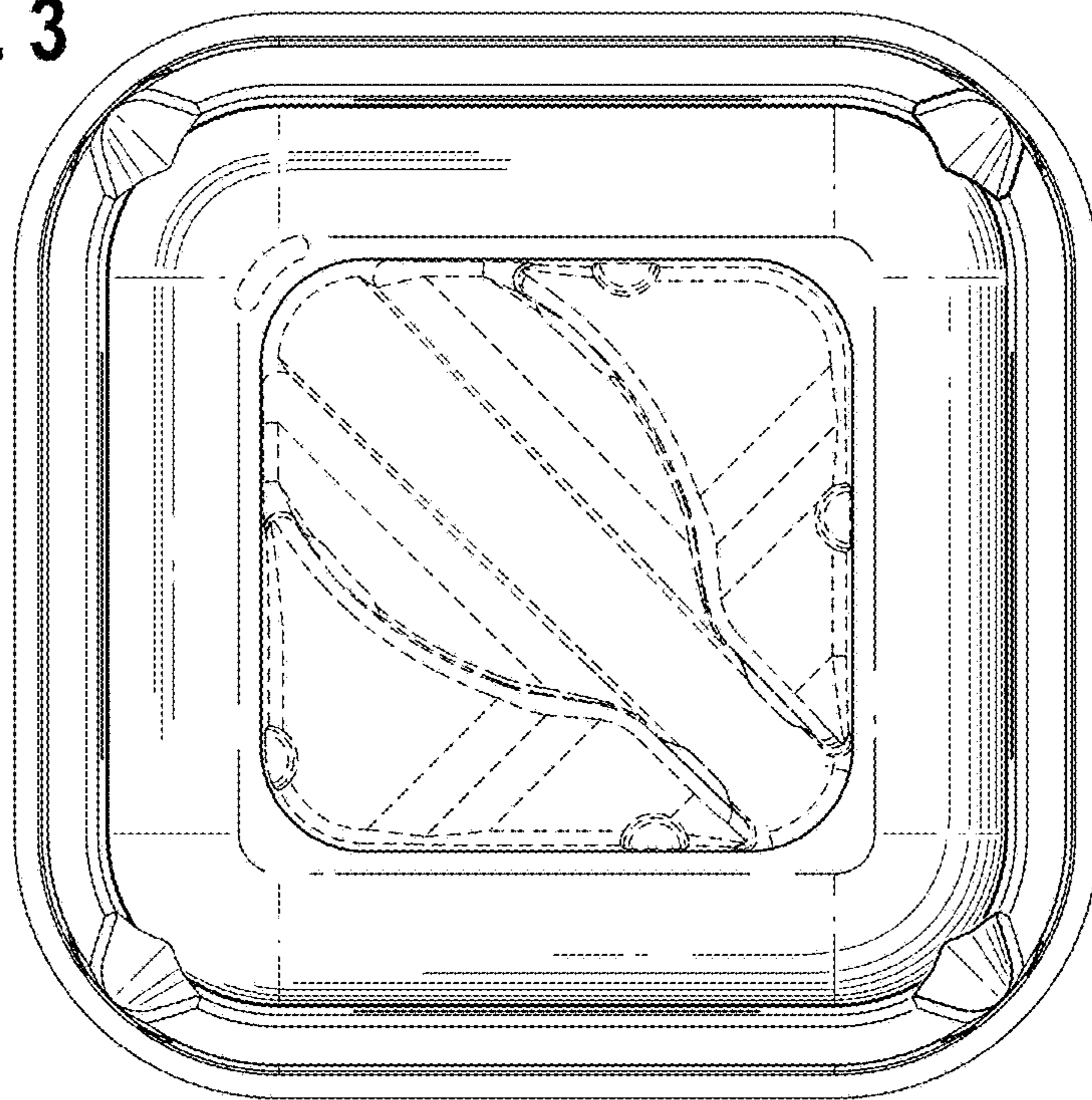


FIG. 4

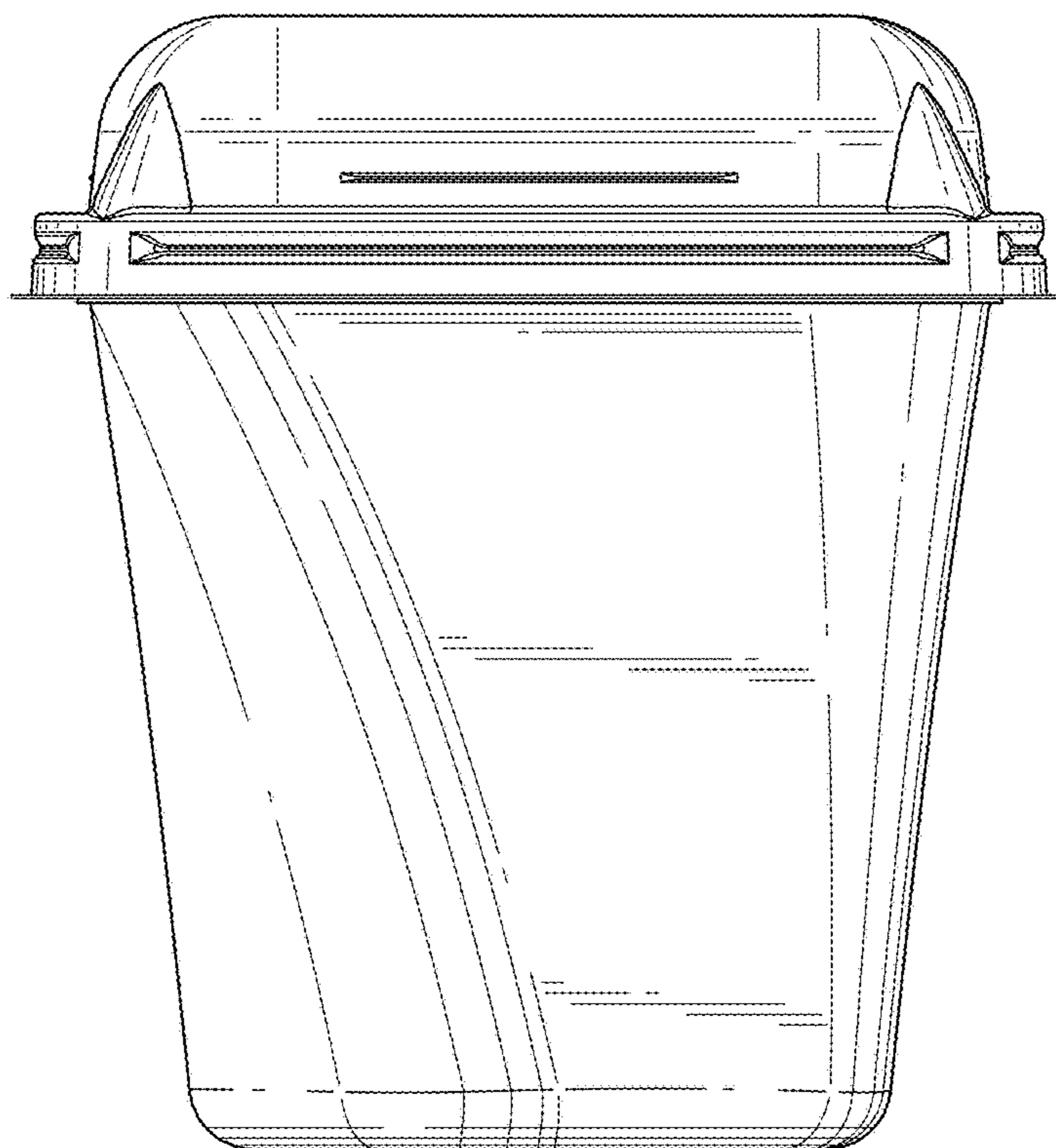


FIG. 5

