



US00D849523S

(12) **United States Design Patent** (10) **Patent No.:** **US D849,523 S**
McKenzie et al. (45) **Date of Patent:** **** May 28, 2019**

(54) **MATERIAL CONTAINER**
(71) Applicant: **Cynthia S. McKenzie**, Reno, NV (US)
(72) Inventors: **Cynthia S. McKenzie**, Reno, NV (US);
Matthew T. Fisher, Reno, NV (US)

D685,232 S * 7/2013 Lane D7/605
D697,400 S * 1/2014 Bragalone D9/416
D758,196 S * 6/2016 Blake D9/529
D763,072 S * 8/2016 Morgan D9/428
D786,088 S * 5/2017 Wilson D9/688
(Continued)

(73) Assignee: **Cynthia S. McKenzie**, Reno, NV (US)
(**) Term: **15 Years**

FOREIGN PATENT DOCUMENTS

WO WO 2013101390 7/2013

(21) Appl. No.: **29/623,566**

OTHER PUBLICATIONS

(22) Filed: **Oct. 25, 2017**

Laney College Cosmetology; Hair color retouch; COSME 214:
Haircoloring; Instructor: Ms. Ly.

(51) **LOC (11) Cl.** **09-03**

(Continued)

(52) **U.S. Cl.**
USPC **D9/416**

Primary Examiner — Wan Laymon

(58) **Field of Classification Search**
USPC D9/415, 416, 418, 432, 516, 551, 688,
D9/690, 721, 738, 744, 745, 763, 767,
D9/772; D3/30, 201, 202, 203.1; D7/77,
D7/601, 605, 608, 629, 900; 215/12.1,
215/13.1

Assistant Examiner — Clint A Samuel

(74) *Attorney, Agent, or Firm* — Holland & Hart LLP

CPC ... B65D 1/00; B65D 1/02; B65D 1/10; B65D
1/265; B65D 71/36; B65D 23/00; B65D
5/12; B65D 85/00; B65D 85/08; A47J
41/00; A47J 41/02; A47J 41/005; A47J
42/00; A61J 1/00

(57) **CLAIM**

The ornamental design for a material container, as shown
and described.

See application file for complete search history.

DESCRIPTION

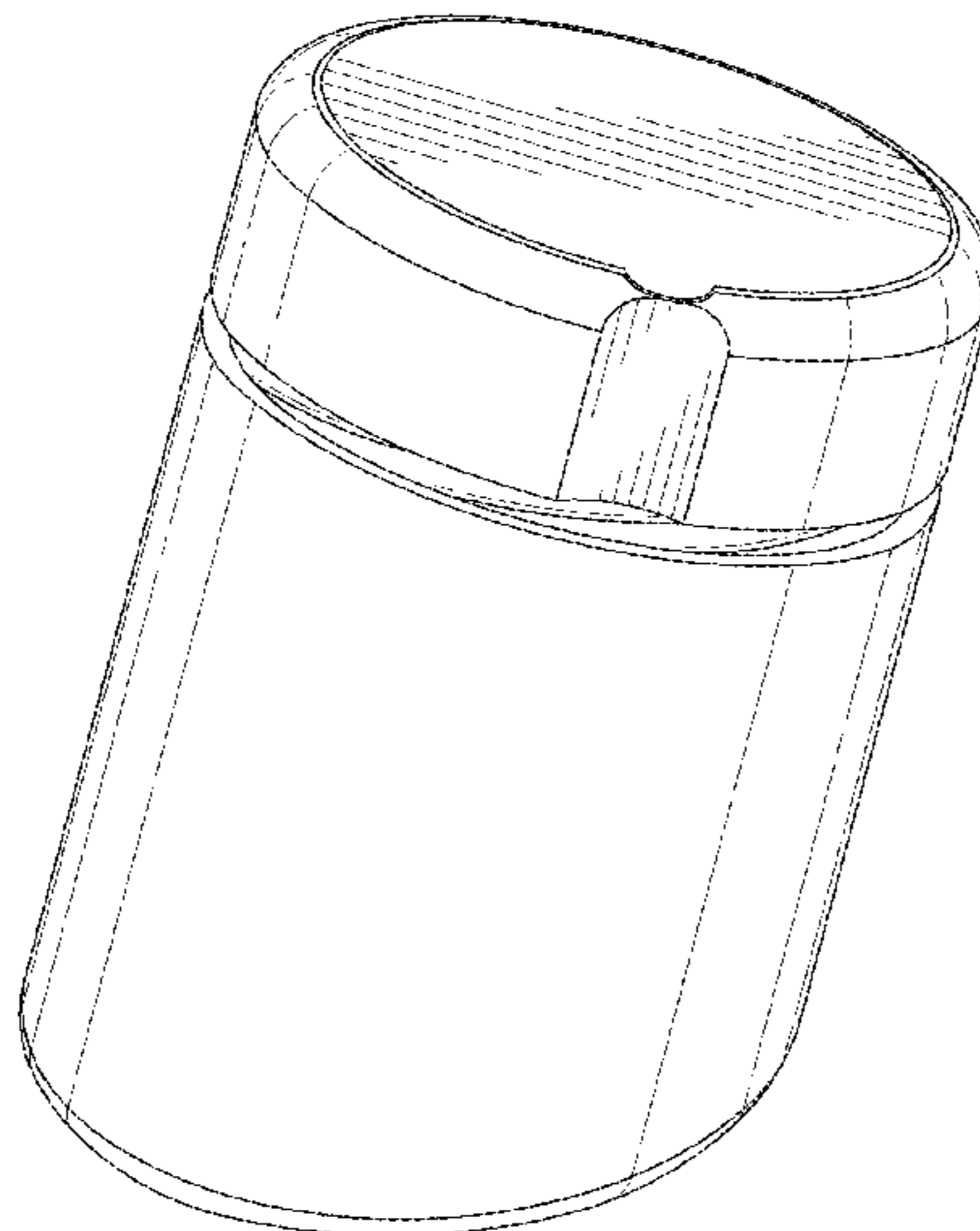
(56) **References Cited**

U.S. PATENT DOCUMENTS

2,044,093 A * 6/1936 Mills B65D 7/22
215/12.1
D283,592 S * 4/1986 Quarrell D6/512
D433,327 S * 11/2000 Lillelund D9/416
D436,861 S * 1/2001 Sagel D9/422
6,440,175 B1 8/2002 Stanley, III
7,407,055 B2 8/2008 Rodriguez
D591,589 S * 5/2009 Myers D7/615
D592,046 S * 5/2009 Myers D7/615
D629,657 S * 12/2010 Carreno D7/629
D680,387 S * 4/2013 Hopkins D7/629

FIG. 1 is a perspective view of the material container
showing our new design;
FIG. 2 is a back side view of the material container shown
in FIG. 1;
FIG. 3 is a front side view of the material container shown
in FIG. 1;
FIG. 4 is a left side view of the material container shown in
FIG. 1;
FIG. 5 is a right side view of the material container shown
in FIG. 1;
FIG. 6 is a top view of the material container shown in FIG.
1; and,
FIG. 7 is a bottom view of the material container shown in
FIG. 1.

1 Claim, 7 Drawing Sheets



(56)

References Cited

U.S. PATENT DOCUMENTS

2005/0039272 A1 2/2005 Miczewski et al.
2007/0251025 A1 11/2007 Errey et al.
2014/0196221 A1 7/2014 D'Amico

OTHER PUBLICATIONS

Coloring Hair Kit; Hair-Highlighting Kits—Hair Color Reviews.
Smart Beauty (<https://www.smartbeautyshop.com/>); Hair Highlighting Kit.
Simple Charm Beauty; Revlon Frost and Glow Highlighting Kit;
May 10, 2013.
Amazon; Buy Soft N Style 10 Piece Hair Colorist Kit.
<http://www.keepbeautiful.ca/shop-by-brand/ombra.html>); Standard
Colour Kit and Stand.

* cited by examiner

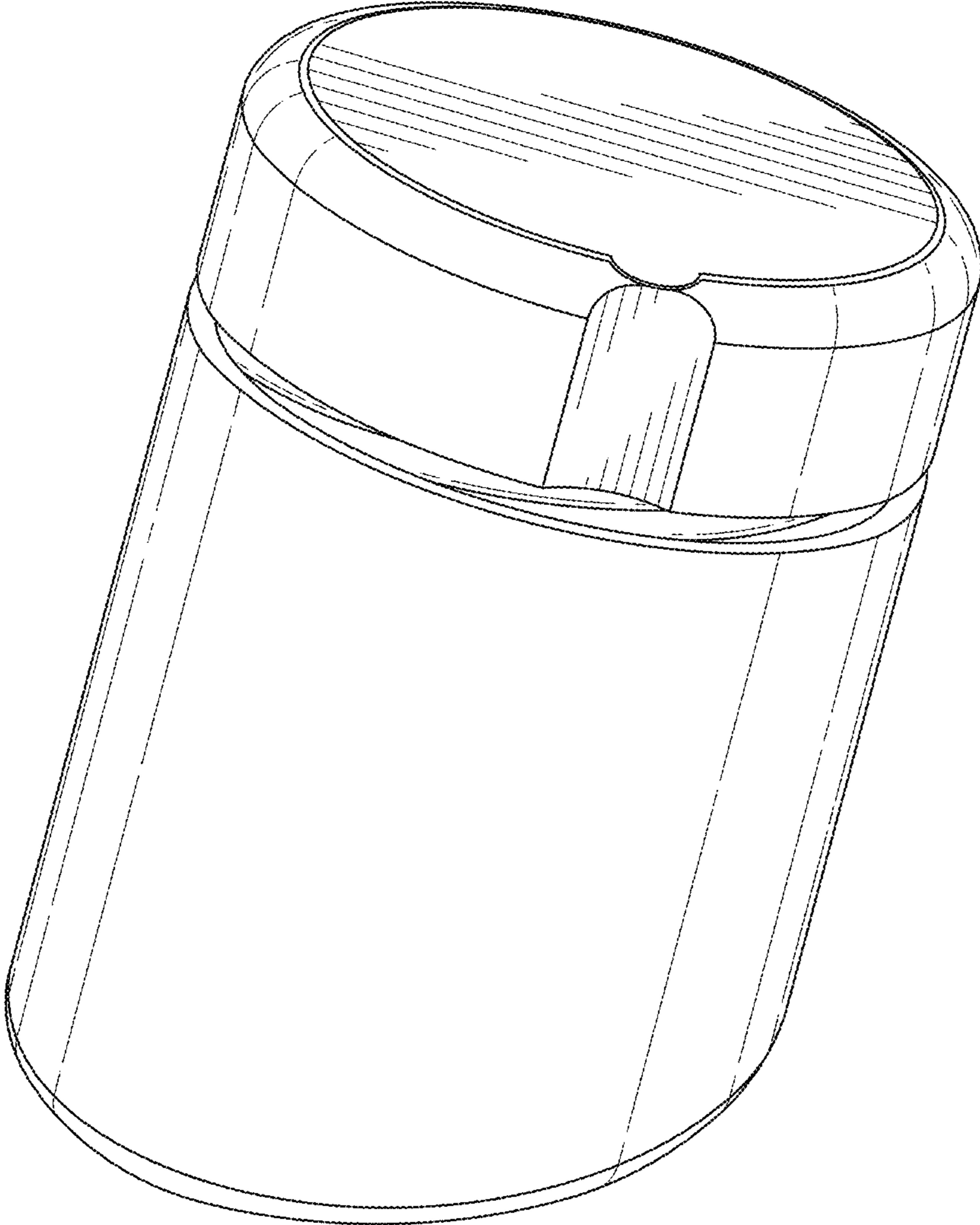


FIG. 1

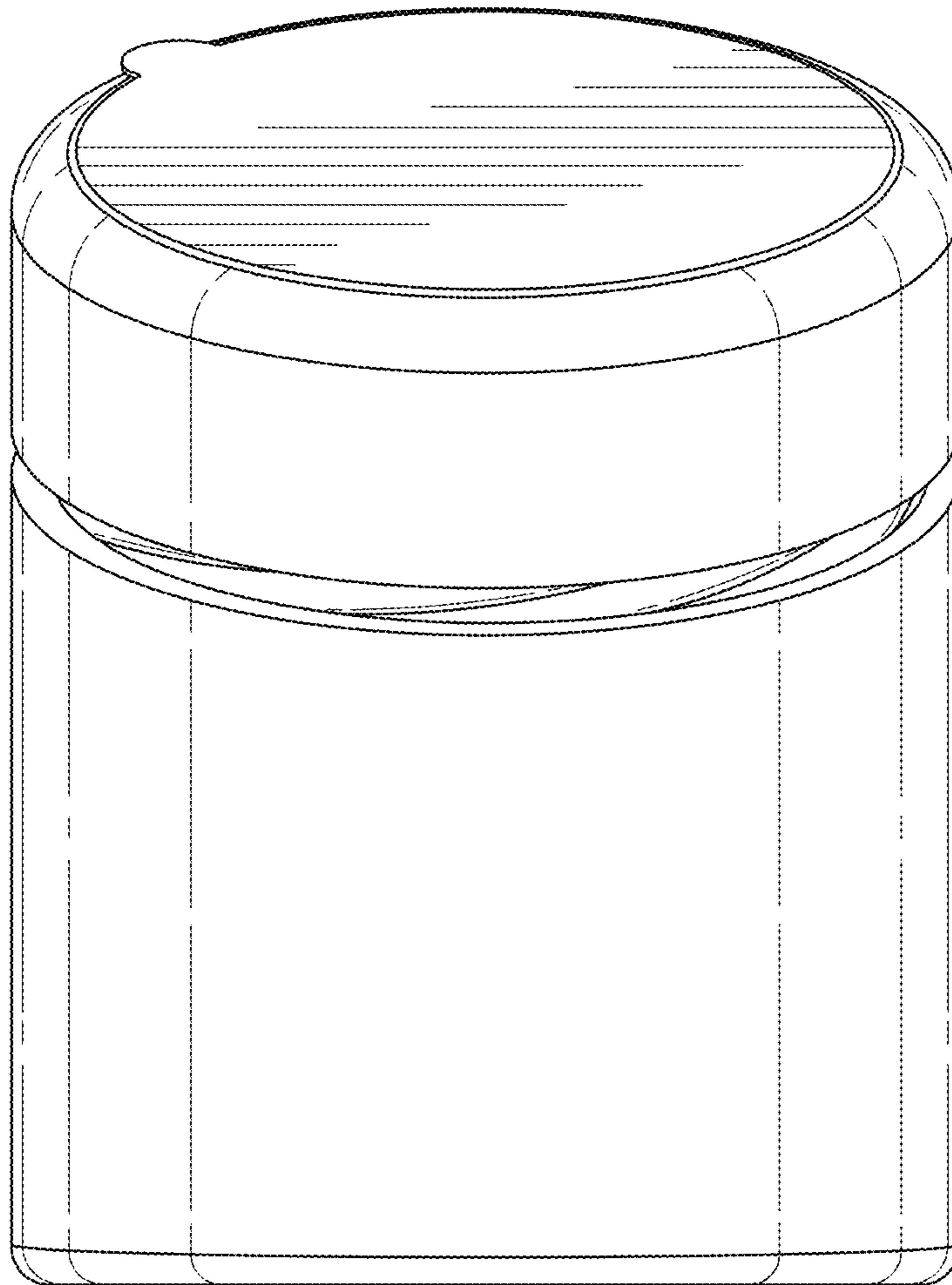


FIG. 2

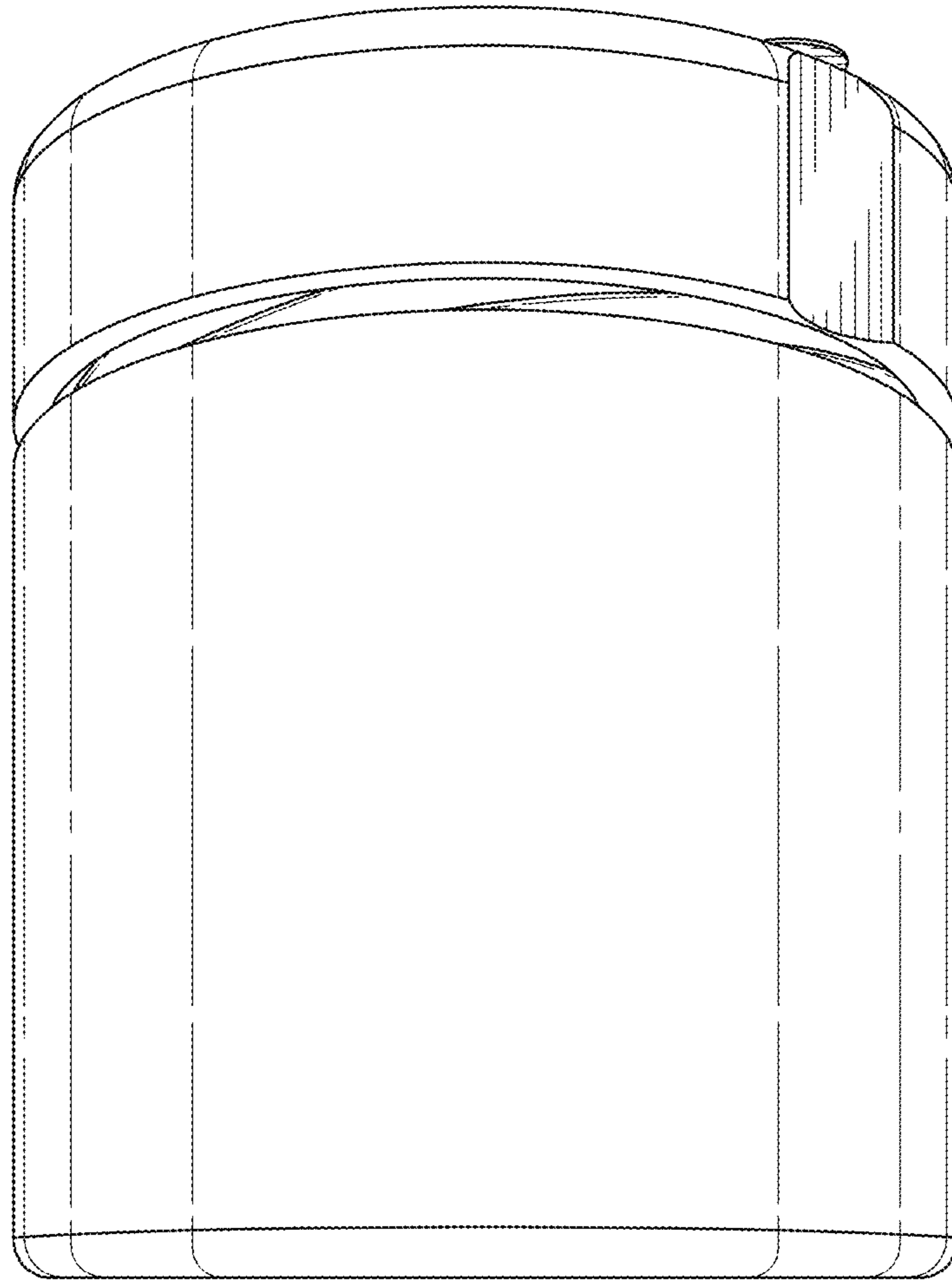


FIG. 3

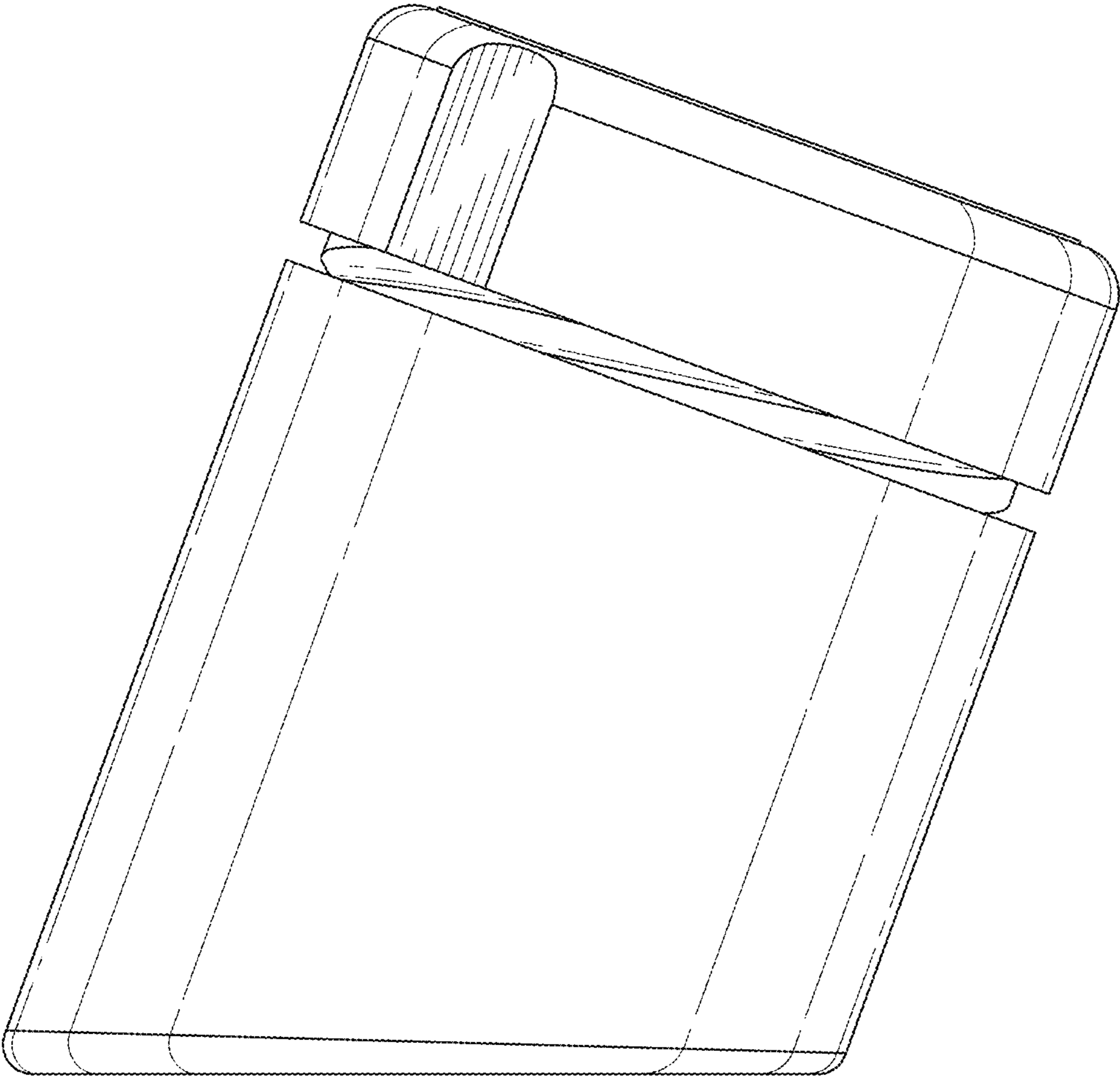


FIG. 4

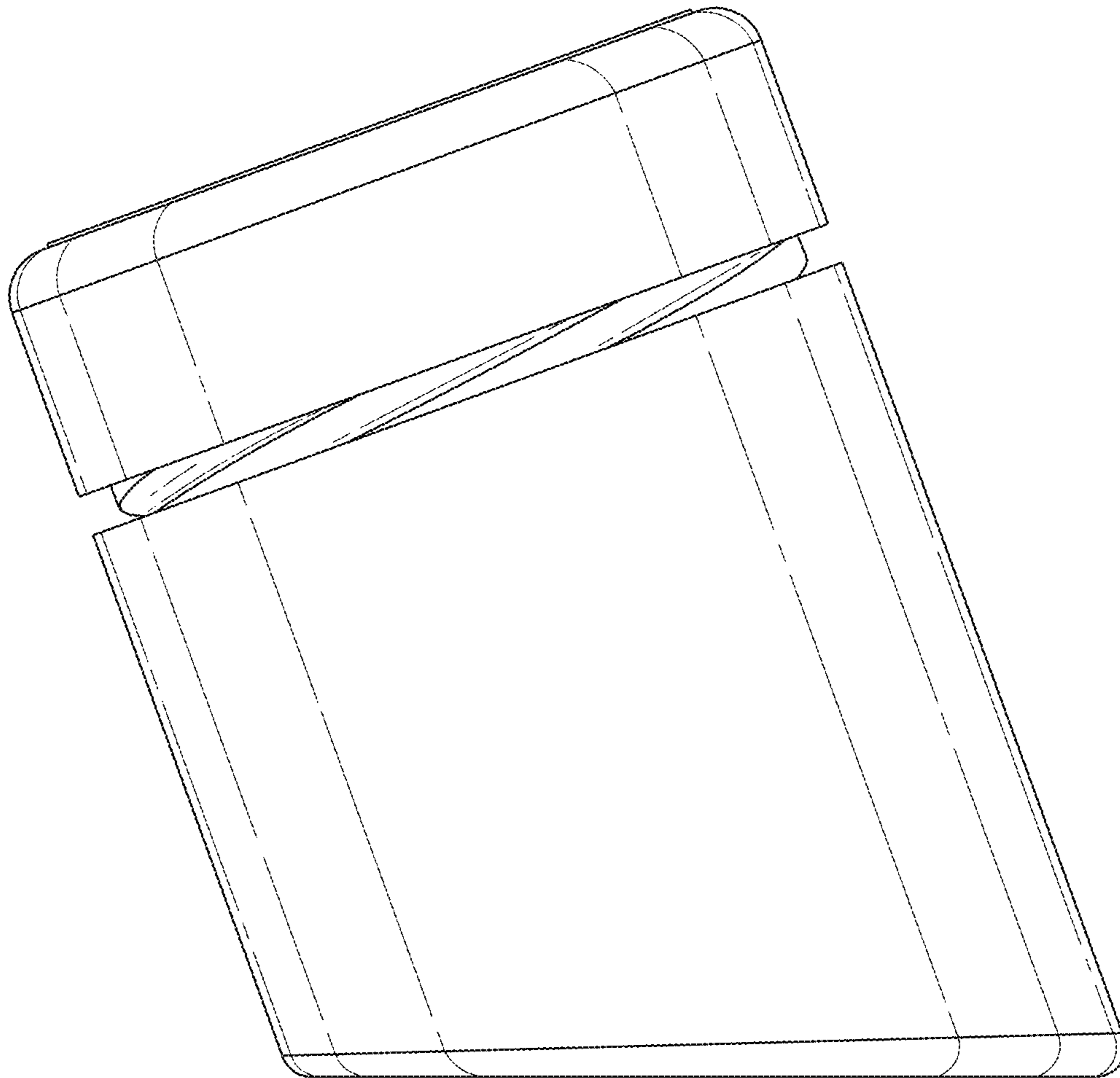


FIG. 5

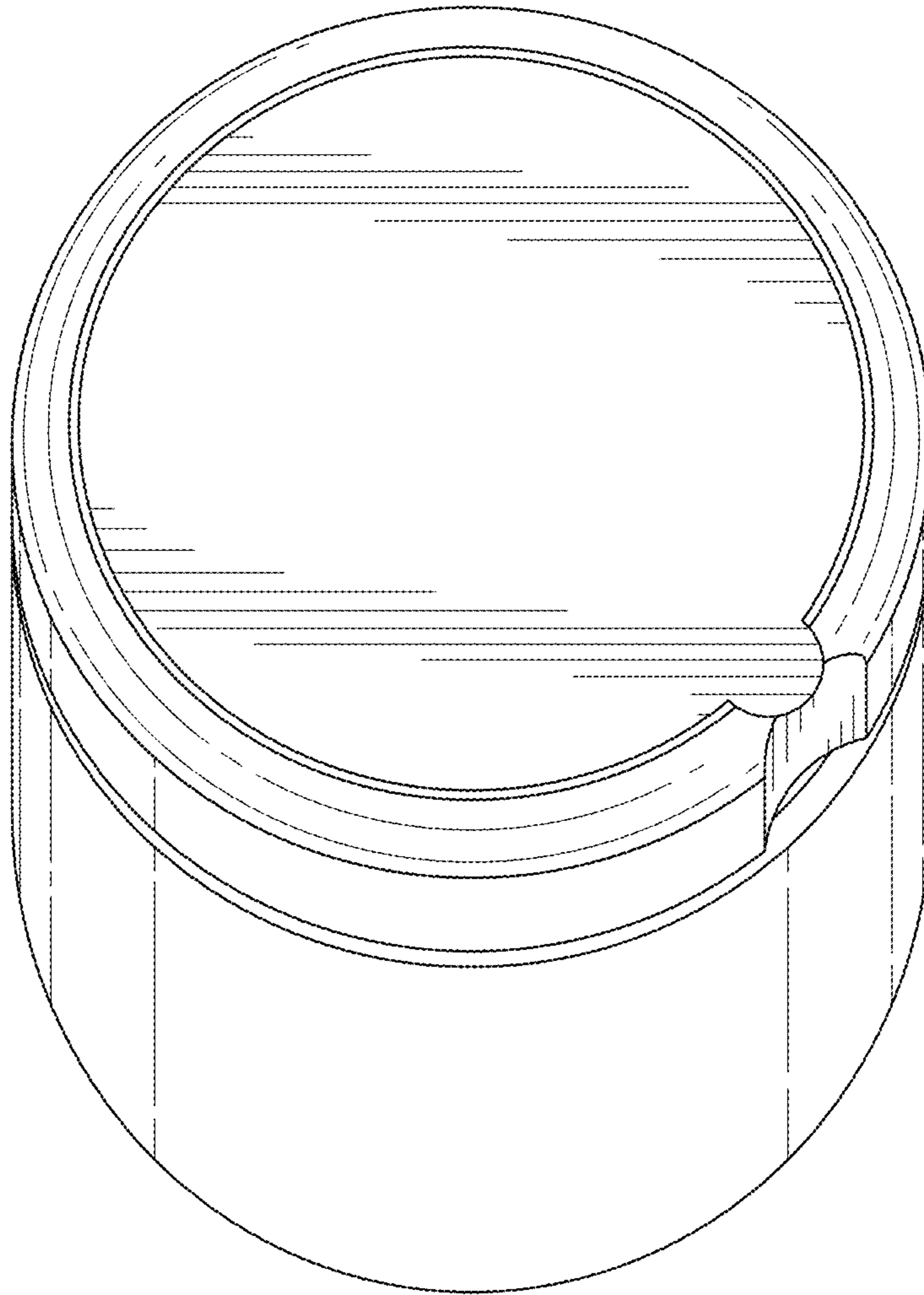


FIG. 6

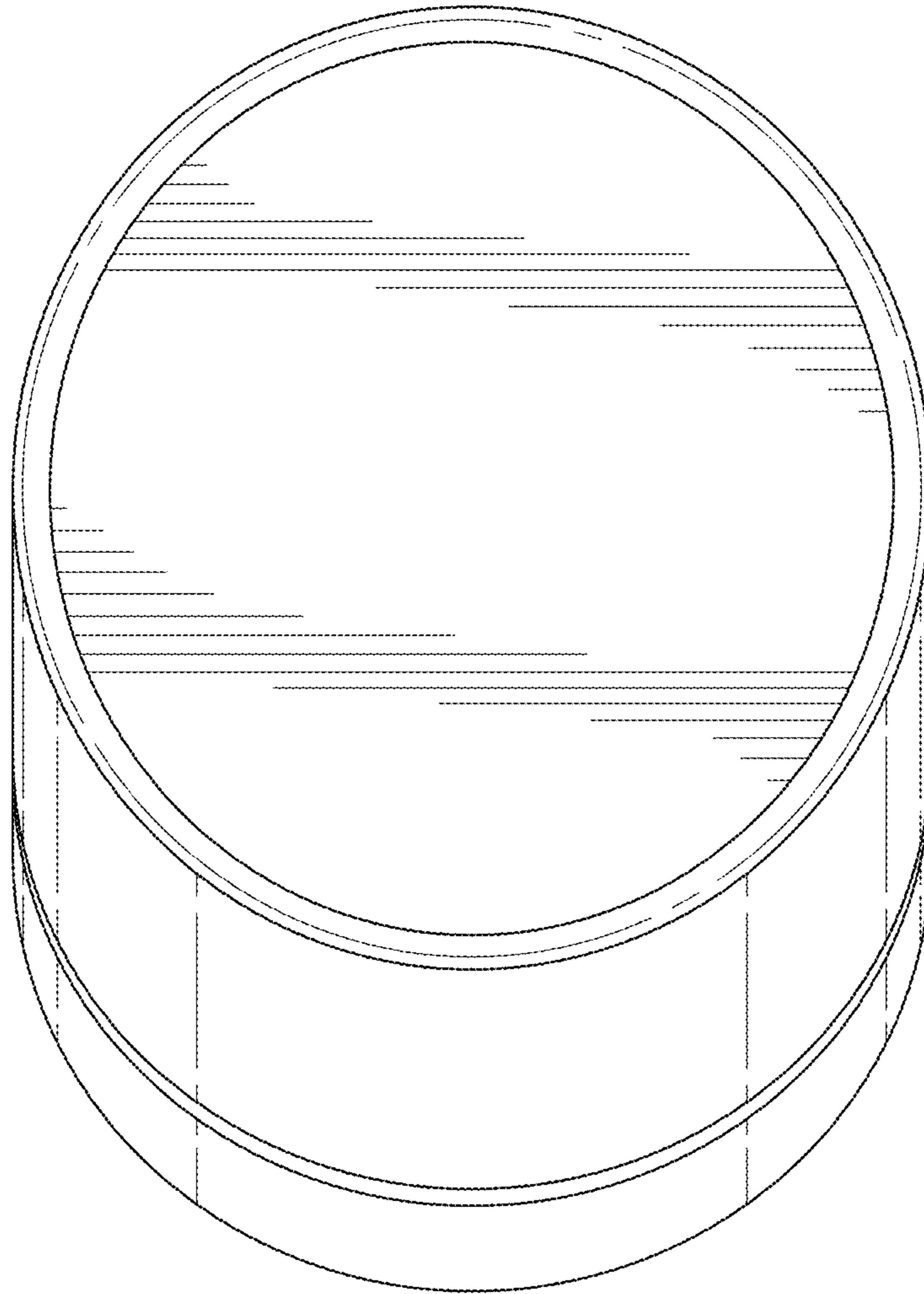


FIG. 7