



US00D849522S

(12) **United States Design Patent** (10) **Patent No.:** **US D849,522 S**
Kondo et al. (45) **Date of Patent:** **** May 28, 2019**

(54) **CLIP**
(71) Applicant: **Sumitomo Riko Company Limited,**
Komaki-Shi (JP)
(72) Inventors: **Hiroyuki Kondo,** Novi, MI (US);
Koichiro Iwanaga, Komaki (JP);
Kenneth Carrier, Novi, MI (US)
(73) Assignee: **Sumitomo Riko Company Limited,**
Komaki-Shi (JP)

D418,033 S * 12/1999 Svedberg D34/31
D515,411 S * 2/2006 Kearl D8/395
D651,309 S * 12/2011 Rowe D24/130
D690,997 S * 10/2013 Zemel D7/590
D732,009 S * 6/2015 Bak D14/229
D761,097 S * 7/2016 Votel D8/394
D763,053 S * 8/2016 Clerkx D8/72
D772,784 S * 11/2016 Higgins D12/415
D786,053 S * 5/2017 Fabis D8/380

(Continued)

(**) Term: **15 Years**

IN 293058-0001 * 7/2017
KR 300858726.0000 * 6/2016

(21) Appl. No.: **29/596,423**

OTHER PUBLICATIONS

(22) Filed: **Mar. 8, 2017**

(51) **LOC (11) Cl.** **08-08**

(52) **U.S. Cl.**
USPC **D8/396**

(58) **Field of Classification Search**
USPC D8/394–396, 71–72, 79; D23/262–265;
D25/199; D12/415

CPC F16L 3/1075; F16L 3/2336; F16L 3/12;
F16L 55/18; F16L 21/06; F16L 17/00;
F16L 23/00; F16B 11/006; F16B 5/06;
A44C 5/22; A42B 3/14; B65H 59/00

See application file for complete search history.

Mazda CX-5 Service & Repair Manual—High Pressure Fuel Pump
Removal/Installation, copyright 2016-2018, [http://www.mcx5.org/
high_pressure_fuel_pump_removal_installation-1500.html](http://www.mcx5.org/high_pressure_fuel_pump_removal_installation-1500.html), site vis-
ited May 15, 2018 (Year: 2018).*

Primary Examiner — John Windmuller
Assistant Examiner — John R Yeh
(74) *Attorney, Agent, or Firm* — Burr & Brown, PLLC

(57) **CLAIM**

The ornamental design for a clip, as shown and described.

(56) **References Cited**

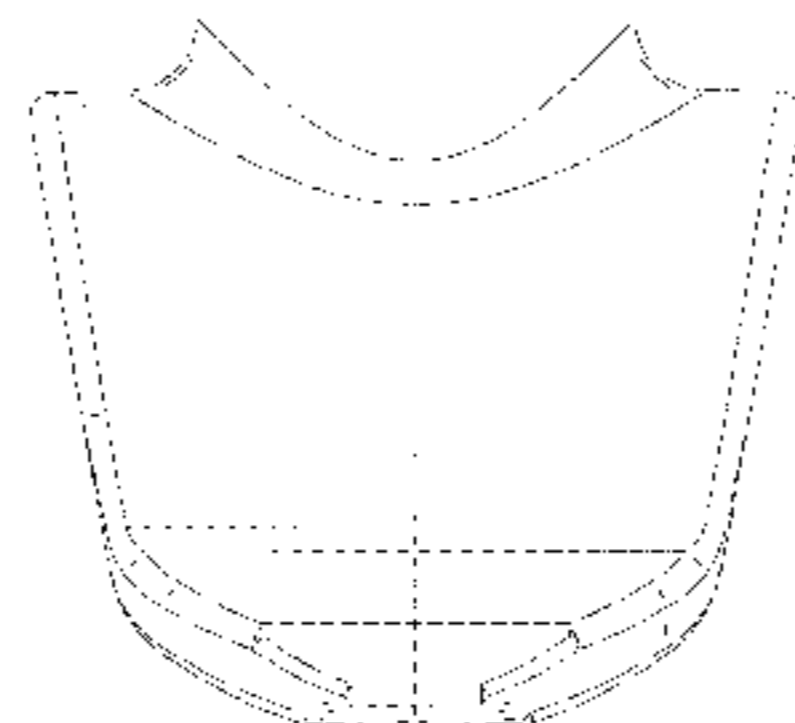
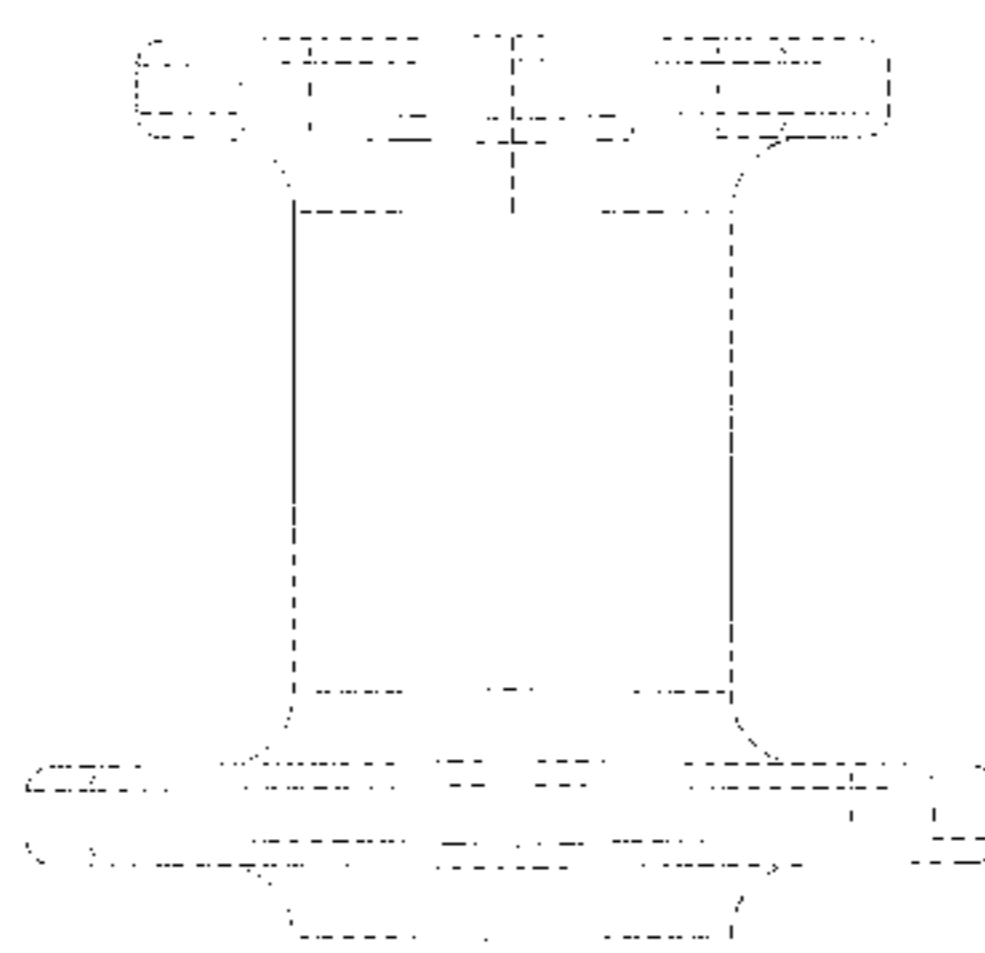
DESCRIPTION

U.S. PATENT DOCUMENTS

553,161 A * 1/1896 Israel F16L 3/10
248/74.4
D33,849 S * 1/1901 Meyer 211/65
2,378,454 A * 6/1945 Werling E21B 19/16
294/15
D222,430 S * 10/1971 Millar D8/373
D241,314 S * 9/1976 Hug D11/27
D257,950 S * 1/1981 Van Meter, Jr. D13/154
D291,728 S * 9/1987 Hoyt D24/130
D306,553 S * 3/1990 Rumpel D8/395
D363,016 S * 10/1995 Sipprelle, III D8/395

FIG. 1 is a front view of a clip showing our new design, the
rear view thereof being a mirror image;
FIG. 2 is a left side view thereof, the right side view thereof
being a mirror image;
FIG. 3 is a top plan view thereof;
FIG. 4 is a bottom plan view thereof; and,
FIG. 5 is a front perspective view thereof.
The broken lines shown in the drawings represent portions
of the clip that form no part of the claimed design.

1 Claim, 5 Drawing Sheets



(56)

References Cited

U.S. PATENT DOCUMENTS

D789,778 S	*	6/2017	White, Sr.	D26/138
D794,187 S	*	8/2017	Dolk	D24/130
D815,517 S	*	4/2018	Van Fleet	D8/396

* cited by examiner

FIG. 1

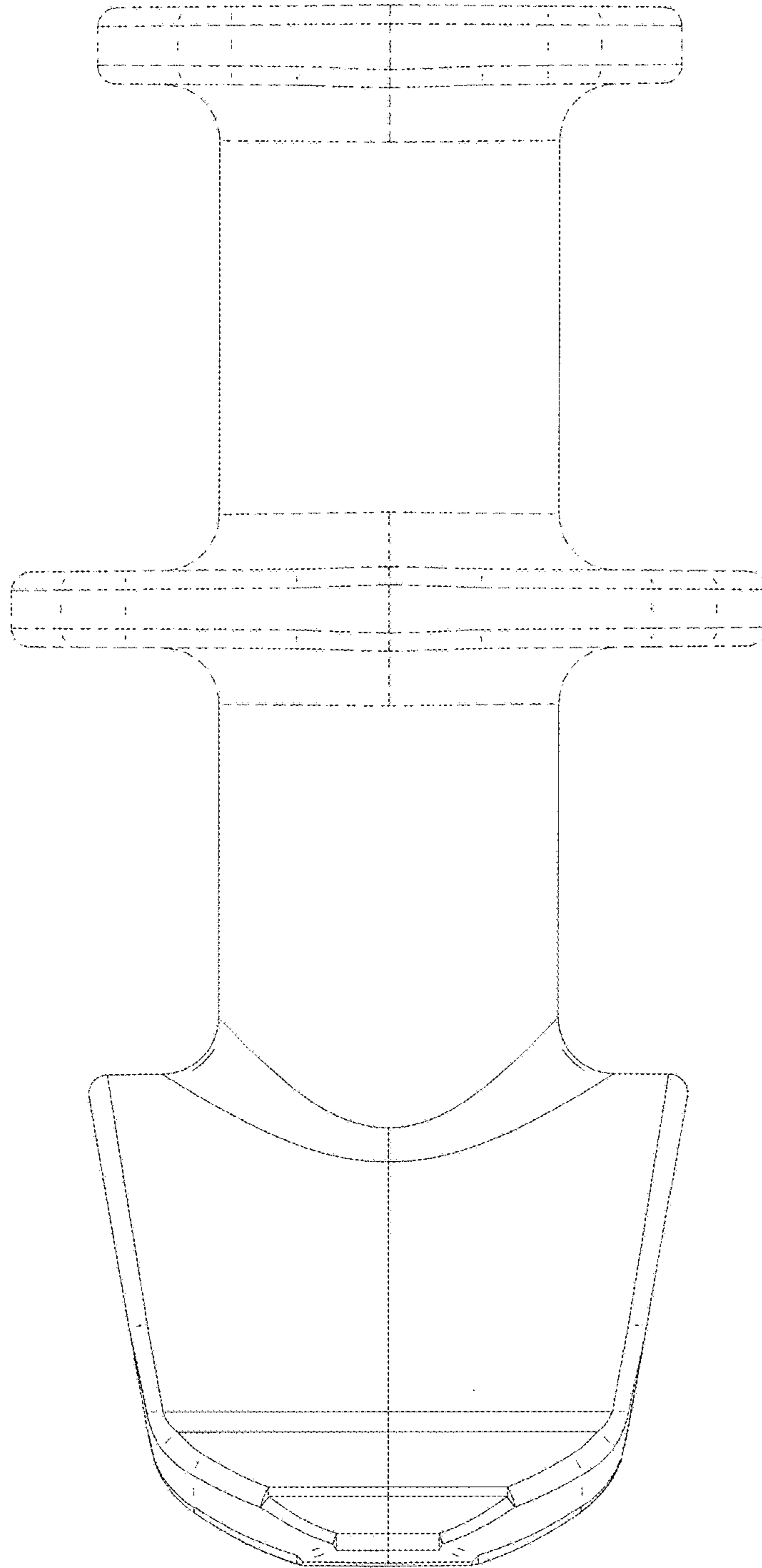


FIG.2

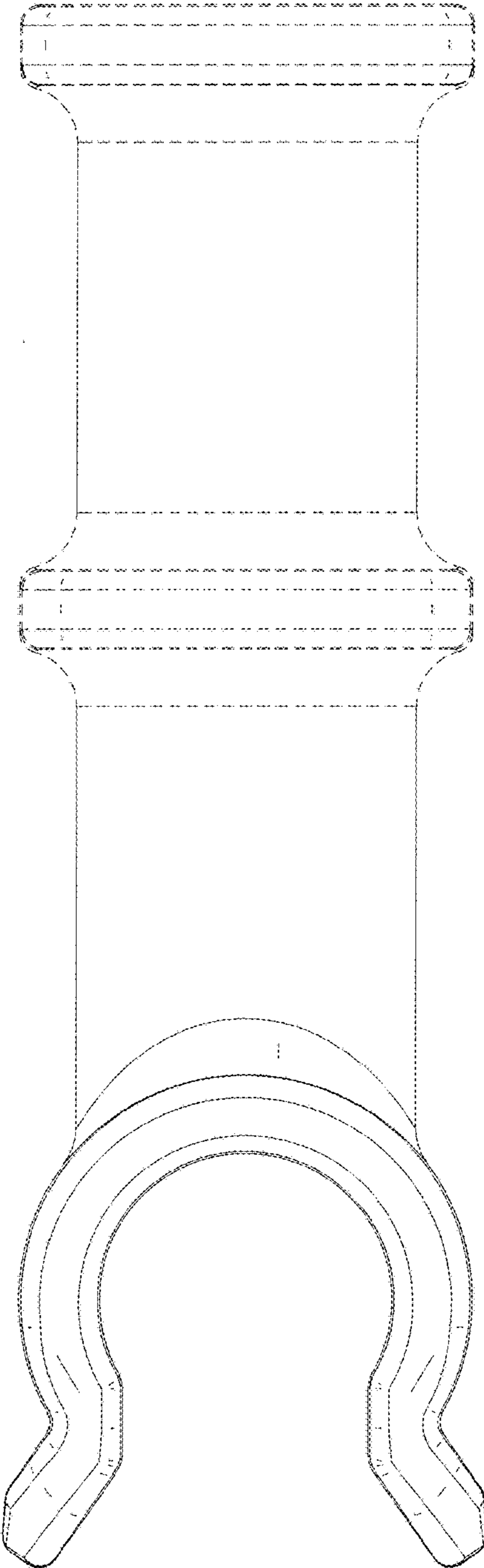


FIG.3

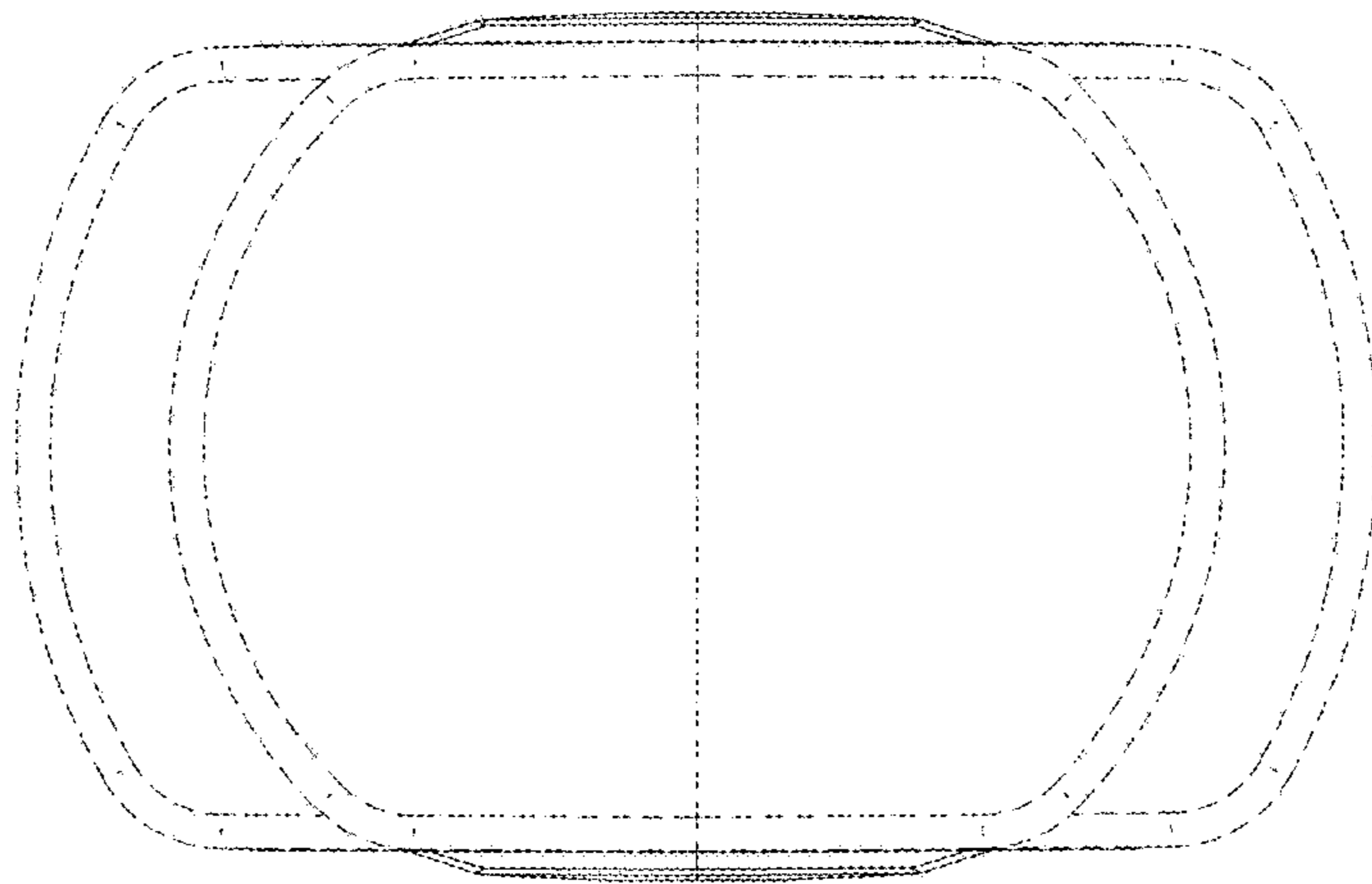


FIG.4

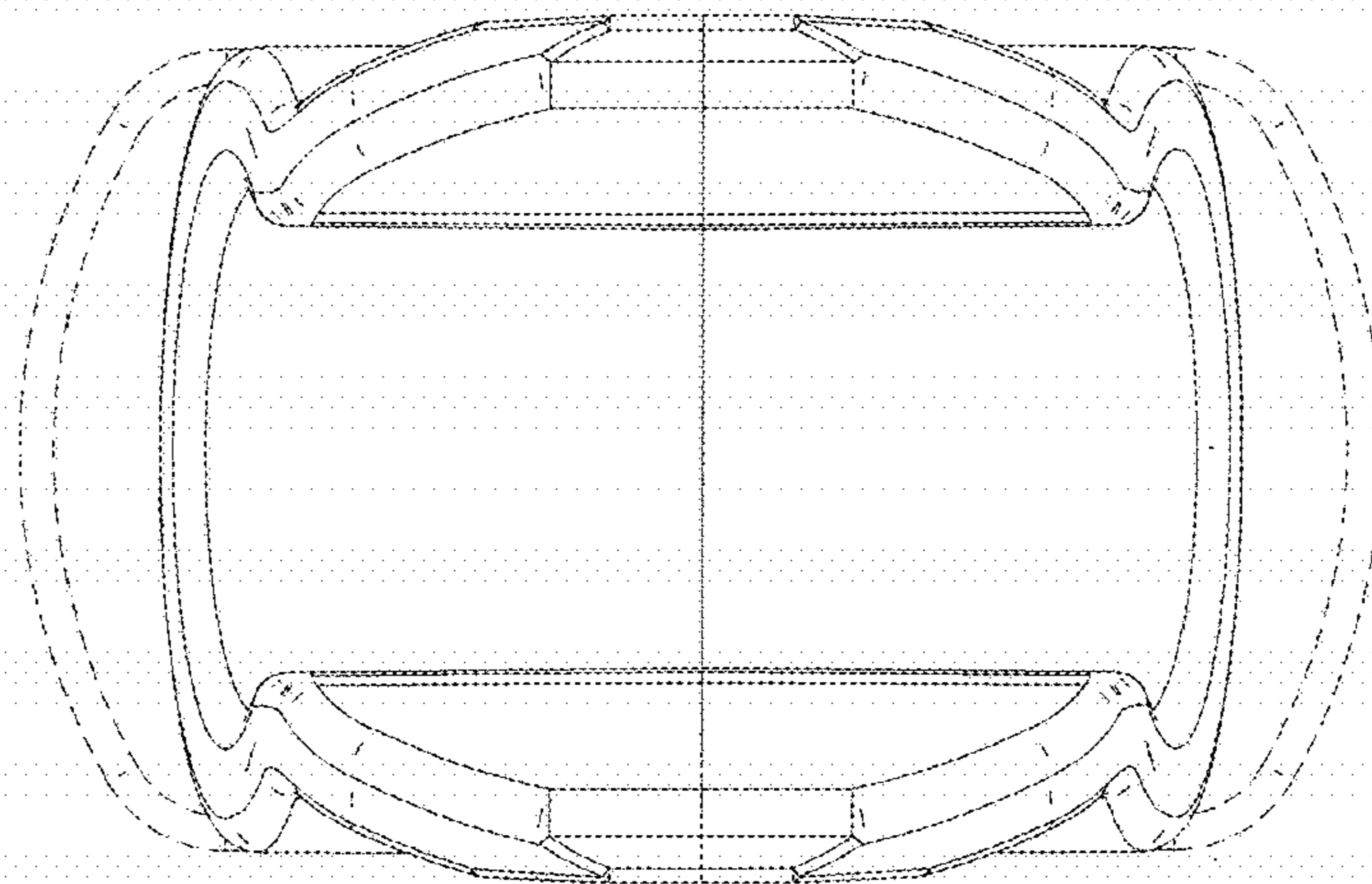


FIG.5

