



US00D849520S

(12) **United States Design Patent** (10) **Patent No.:** **US D849,520 S**
Stocker (45) **Date of Patent:** **** May 28, 2019**

(54) **CLOTHES RAIL BRACKET** 7,641,356 B2 * 1/2010 Pieroth F21L 15/10
248/214
(71) Applicant: **DIY Element System GmbH,** D621,244 S * 8/2010 Kundinger, Jr. D8/381
Rottenacker (DE) D632,730 S * 2/2011 Lo D18/34.9
D633,739 S * 3/2011 Hamdia D3/215
(72) Inventor: **Josef Stocker,** Ehingen (DE) D635,844 S * 4/2011 Boothby D8/367
D668,136 S * 10/2012 Nicholls D8/380
8,646,624 B2 * 2/2014 Fernandez A47B 45/00
108/108
(73) Assignee: **DIY ELEMENT SYSTEM GMBH,** D708,506 S * 7/2014 Wu D8/356
Rottenacker (DE) 9,706,859 B2 * 7/2017 Brinton, Jr. A47B 96/02
D809,905 S * 2/2018 Gunderson D8/371
(**) Term: **15 Years** 2007/0102604 A1 * 5/2007 Nawrocki A47B 57/40
248/220.31
(21) Appl. No.: **29/627,880** 2007/0114348 A1 * 5/2007 Nawrocki A47F 5/0006
248/220.21

(Continued)

(30) **Foreign Application Priority Data**

FOREIGN PATENT DOCUMENTS

Jul. 6, 2017 (EM) 004091924-0001
(51) **LOC (11) Cl.** **08-05**
(52) **U.S. Cl.**
USPC **D8/381**
(58) **Field of Classification Search**
USPC D8/373, 380, 381; 248/301, 304, 235
CPC A47B 96/024; A47B 96/06; A47B 96/067
See application file for complete search history.

DE 40203328-0001 9/2002
DE 000521000-0001 6/2006
DE 000521000-0002 6/2006

Primary Examiner — Janice Hallmark
Assistant Examiner — Harold E Blackwell, II
(74) *Attorney, Agent, or Firm* — Global IP Counselors,
LLP

(57) **CLAIM**

The ornamental design for a clothes rail bracket, as shown and described.

(56) **References Cited**

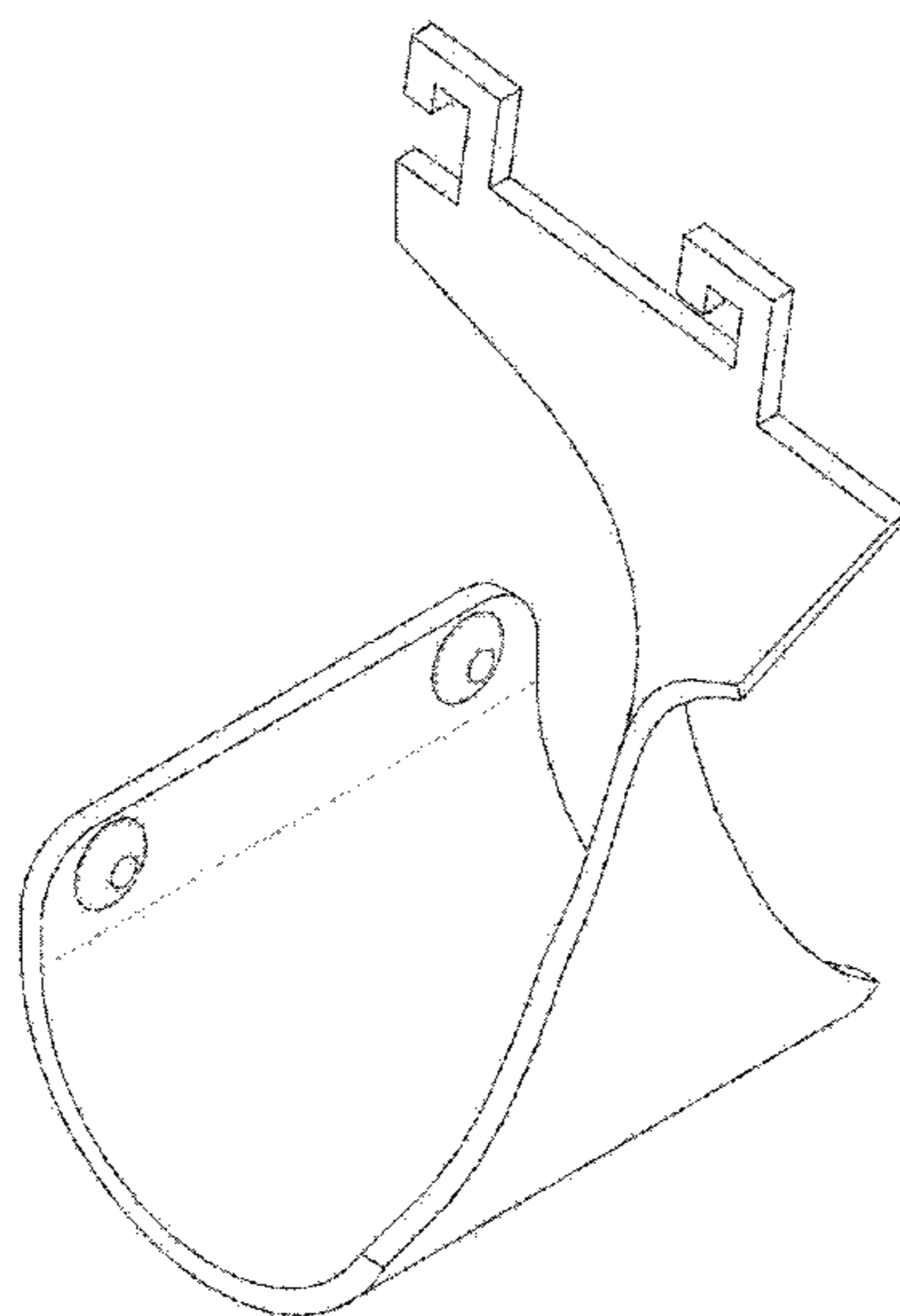
DESCRIPTION

U.S. PATENT DOCUMENTS

5,531,416 A * 7/1996 Remmers A47B 61/003
211/105.1
D389,035 S * 1/1998 Smiley D8/363
5,758,851 A * 6/1998 Remmers A47B 61/003
211/105.1
5,910,351 A * 6/1999 Davis A47B 97/04
24/165
D455,065 S 4/2002 Berg
D465,724 S * 11/2002 Goodman D8/367
D492,891 S 7/2004 Nilsson
D572,125 S 7/2008 Nilsson et al.
D580,258 S 11/2008 Fernandez

FIG. 1 is a front perspective view of a clothes rail bracket in accordance with my new design;
FIG. 2 is a right side view thereof;
FIG. 3 is a left side view thereof;
FIG. 4 is a front view thereof;
FIG. 5 is a rear view thereof;
FIG. 6 is a top view thereof; and,
FIG. 7 is a bottom view thereof.

1 Claim, 7 Drawing Sheets



(56)

References Cited

U.S. PATENT DOCUMENTS

2007/0241253 A1 * 10/2007 Chen F16B 7/0433
248/304

* cited by examiner

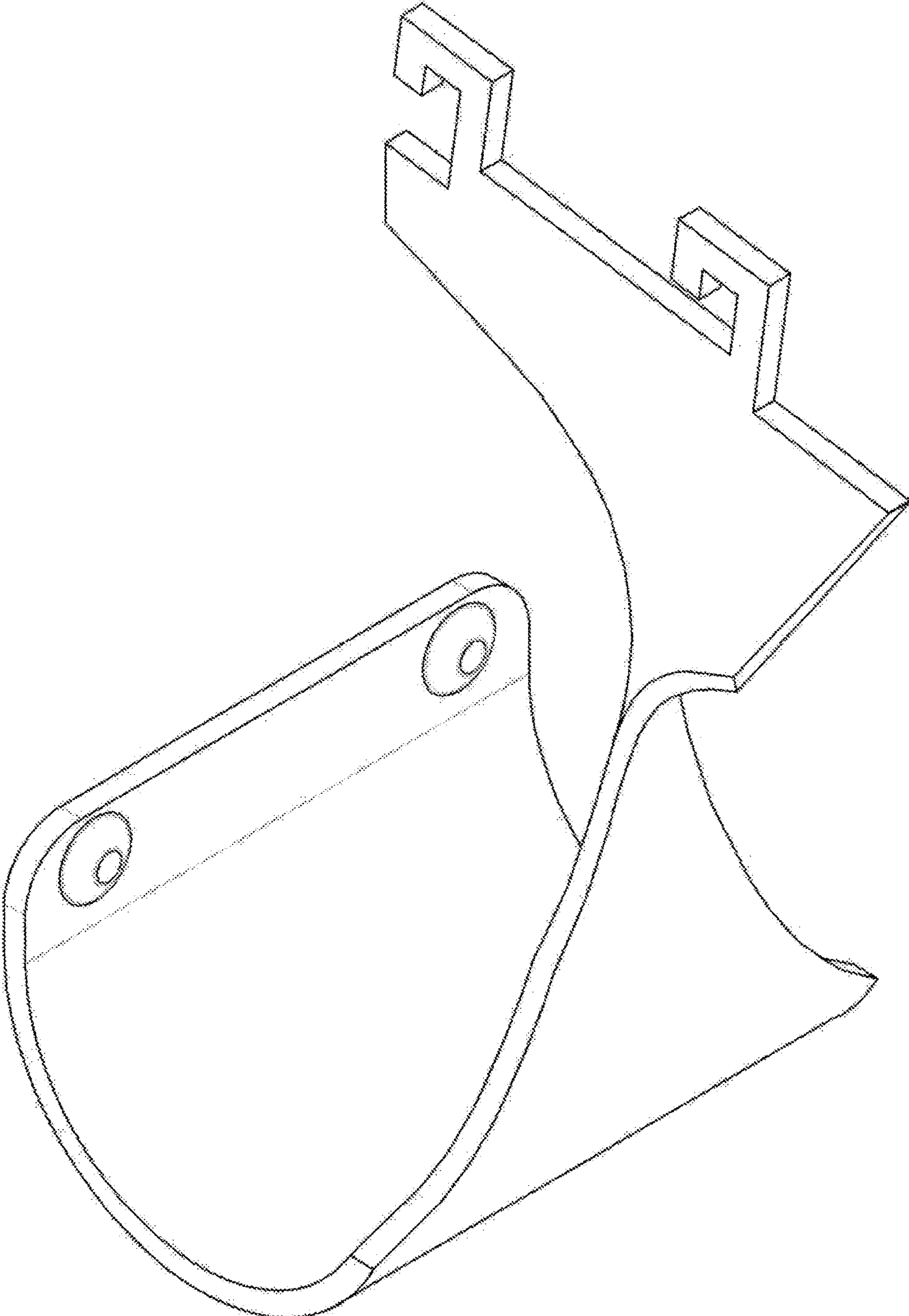


FIG. 1

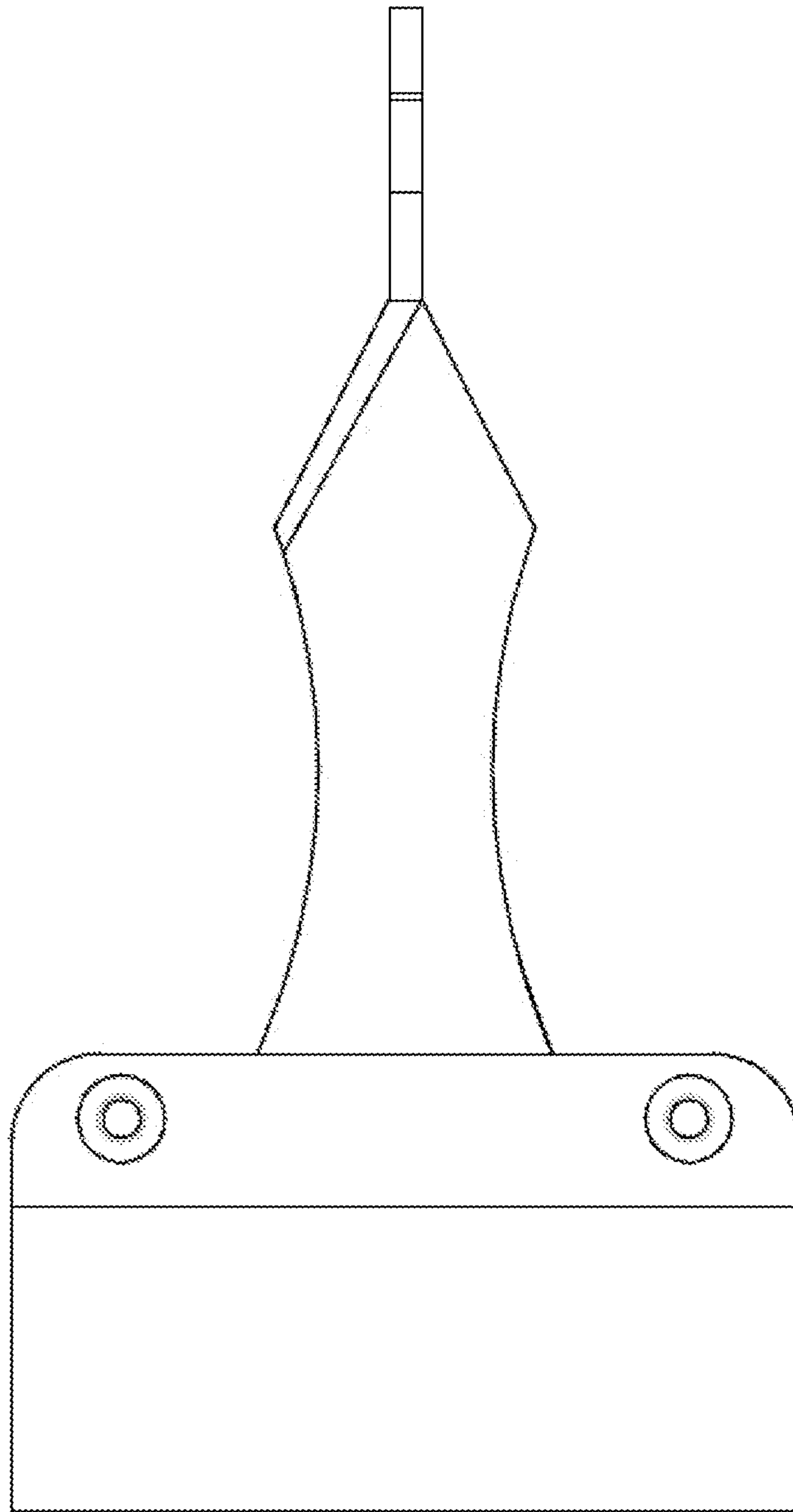


FIG. 2

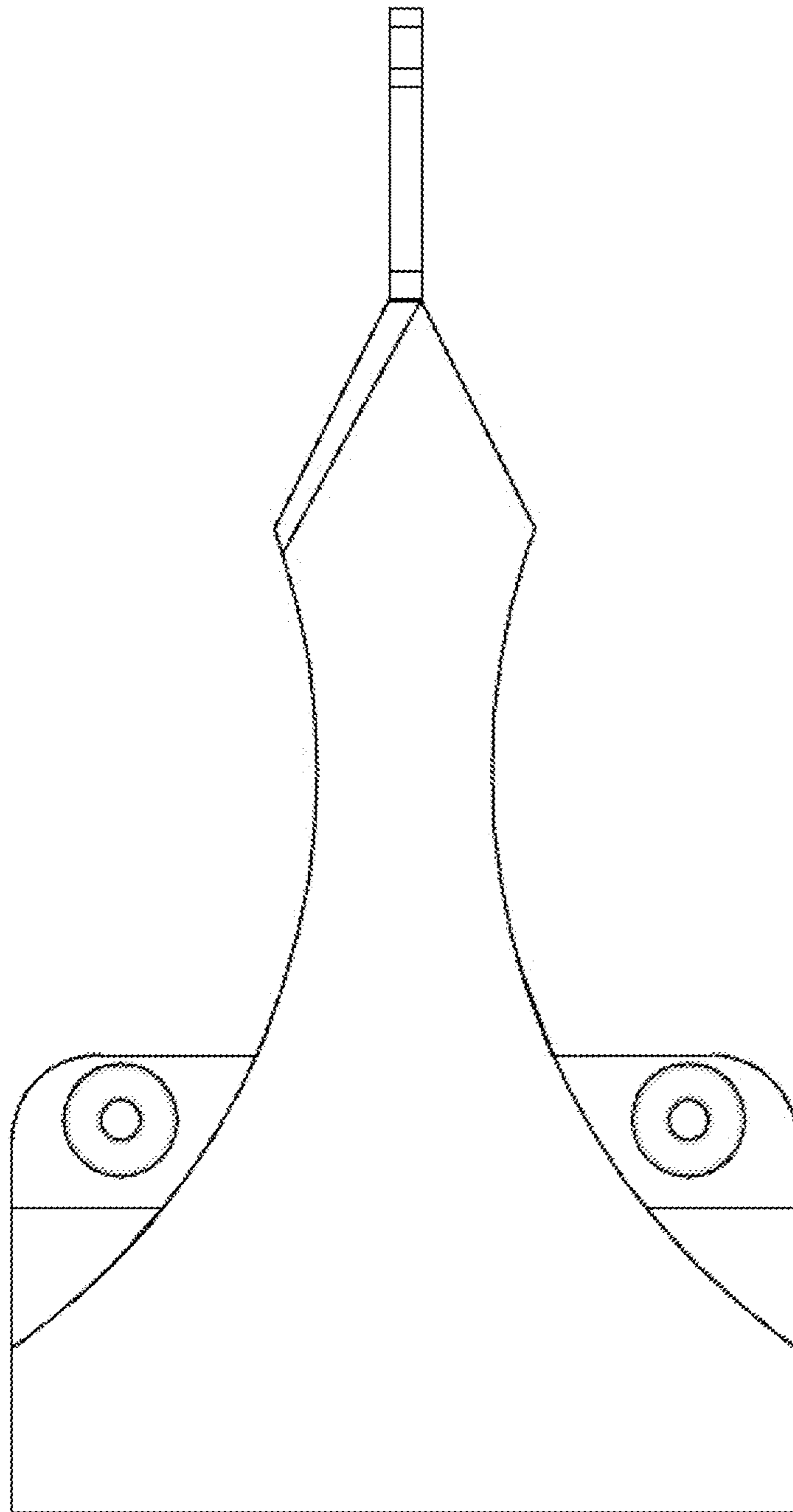


FIG. 3

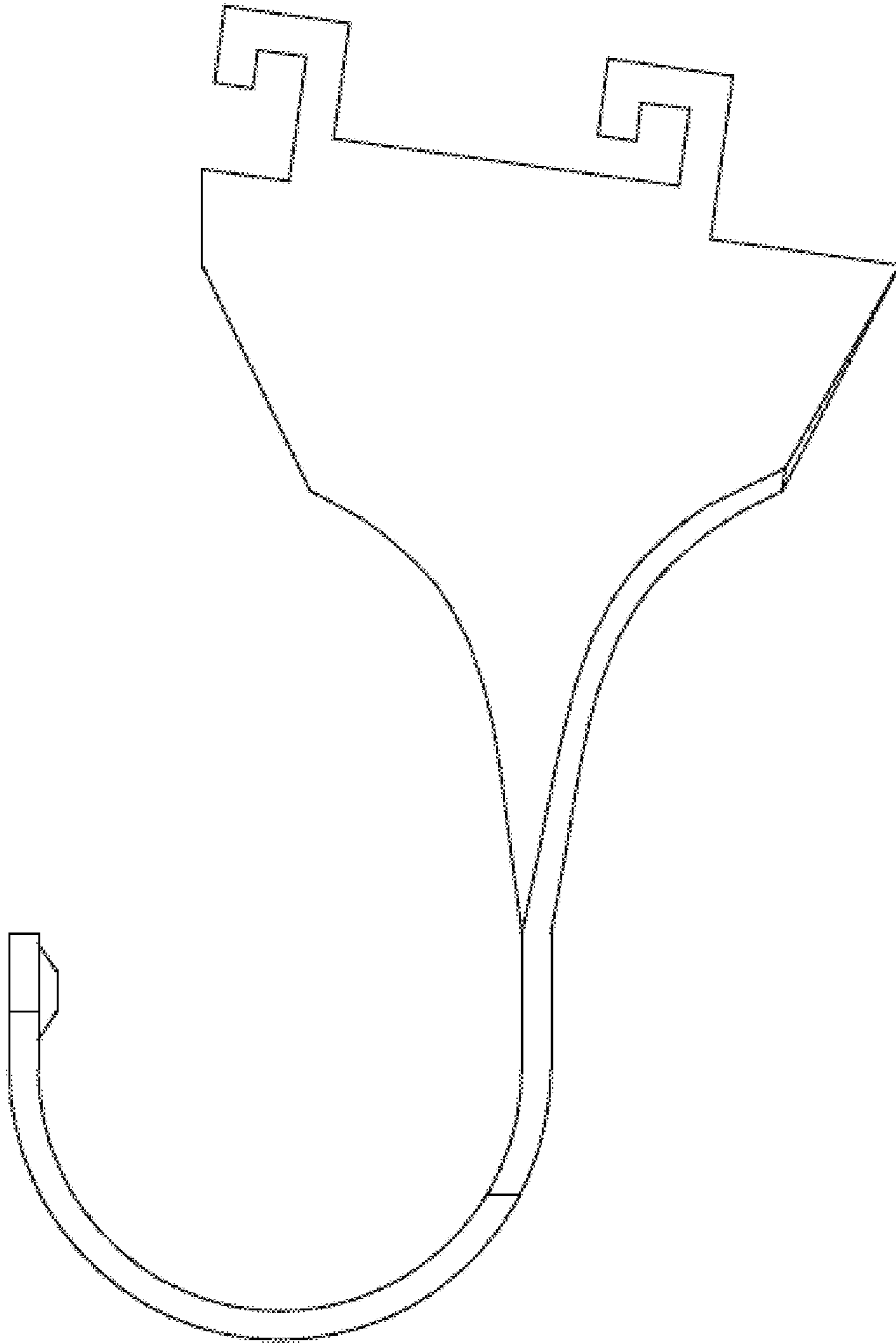


Fig. 4

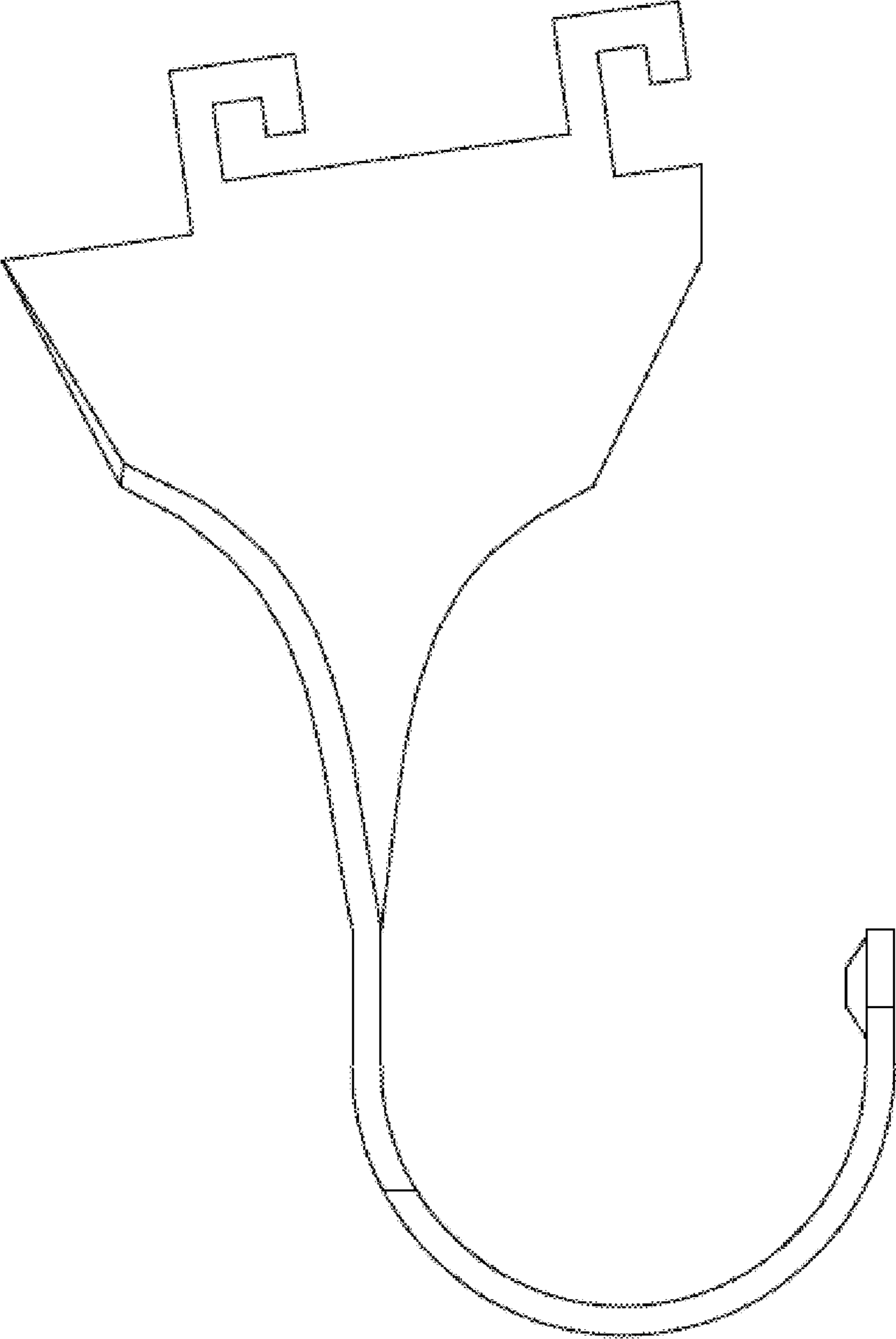


Fig. 5

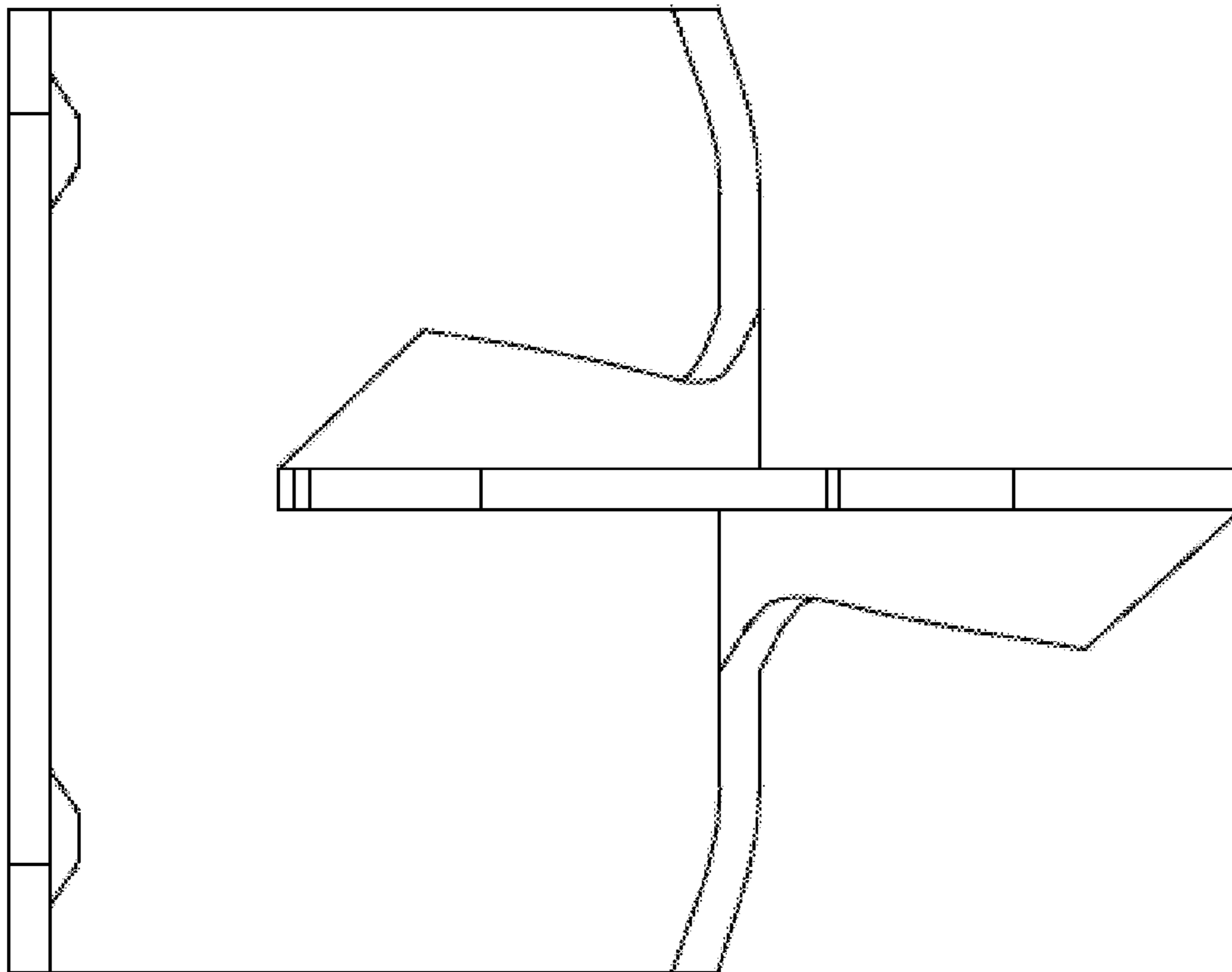


Fig. 6

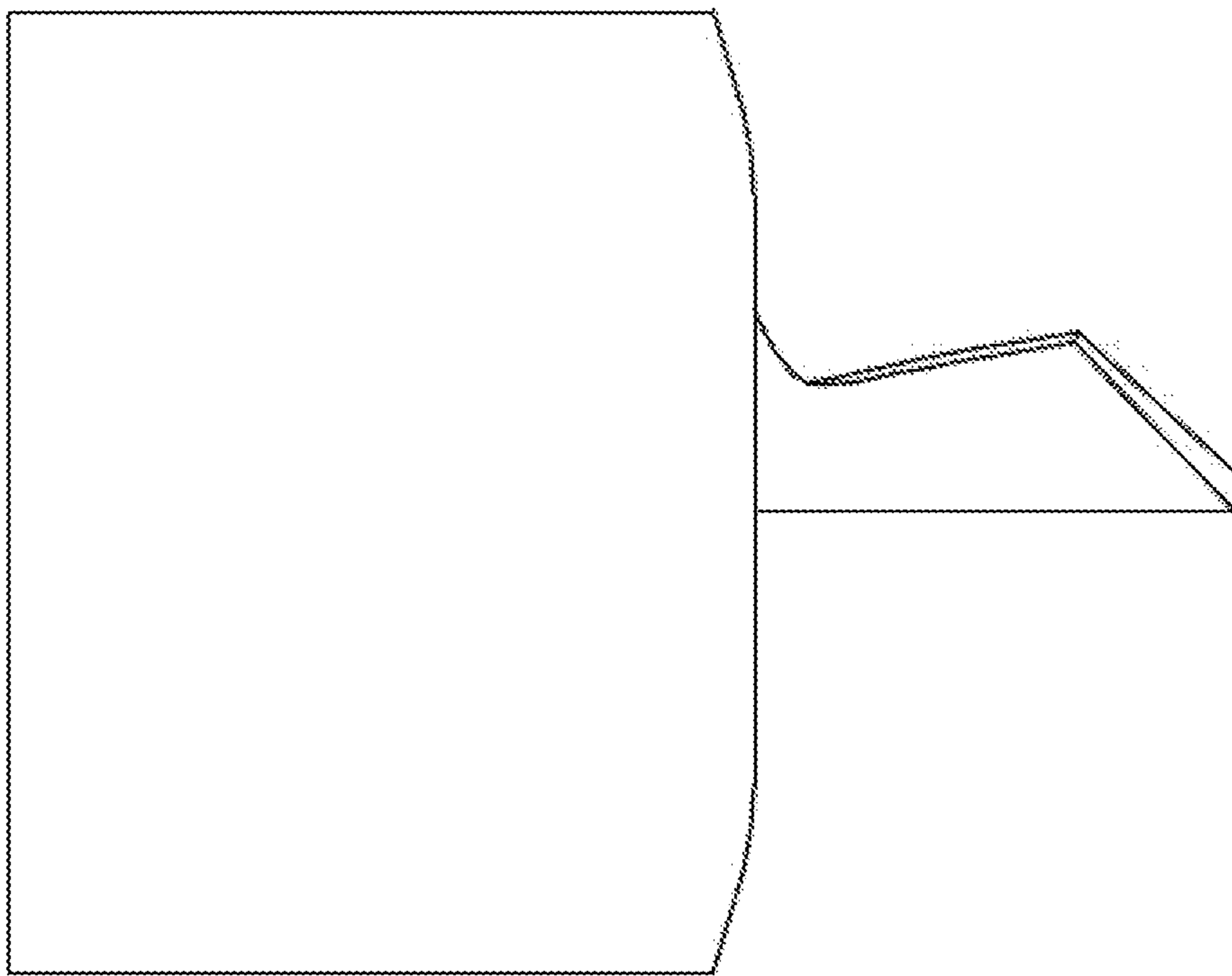


FIG. 7