



US00D849519S

(12) **United States Design Patent** (10) **Patent No.:** **US D849,519 S**
Dettmering et al. (45) **Date of Patent:** **** May 28, 2019**

(54) **BRACKET**

(71) Applicant: **Rinnai America Corporation**,
Peachtree City, GA (US)

(72) Inventors: **Matthew Ryan Dettmering**, Newnan,
GA (US); **Scott Gilman Humphrey**,
Powder Springs, GA (US)

(73) Assignee: **Rinnai America Corporation**,
Peachtree City, GA (US)

(**) Term: **15 Years**

(21) Appl. No.: **29/563,070**

(22) Filed: **May 2, 2016**

(51) **LOC (11) Cl.** **08-05**

(52) **U.S. Cl.**
USPC **D8/373**

(58) **Field of Classification Search**
USPC D8/373, 353, 355, 356, 380, 381, 382,
D8/384, 349, 371; D14/238, 452;
D25/119, 120, 121
CPC A47G 1/41; A47G 29/00; F16M 11/26;
G06F 3/1446

See application file for complete search history.

(56) **References Cited**

U.S. PATENT DOCUMENTS

D387,973 S *	12/1997	Layman	D8/377
6,336,247 B1 *	1/2002	Schnoor	E05D 15/0634
				16/105
7,140,306 B2 *	11/2006	Chen	A47B 17/02
				108/138
D545,182 S *	6/2007	Heitel	D8/377
D645,632 S *	9/2011	Henry	D34/29
D663,961 S *	7/2012	Burns	D6/328
D732,863 S *	6/2015	Troyner	D6/705.5
D754,521 S *	4/2016	Konomoto	D8/349
D766,465 S *	9/2016	Honda	D25/119

(Continued)

Primary Examiner — Ian Simmons
Assistant Examiner — Yolanda Robinson

(74) *Attorney, Agent, or Firm* — Meunier Carlin &
Curfman LLC

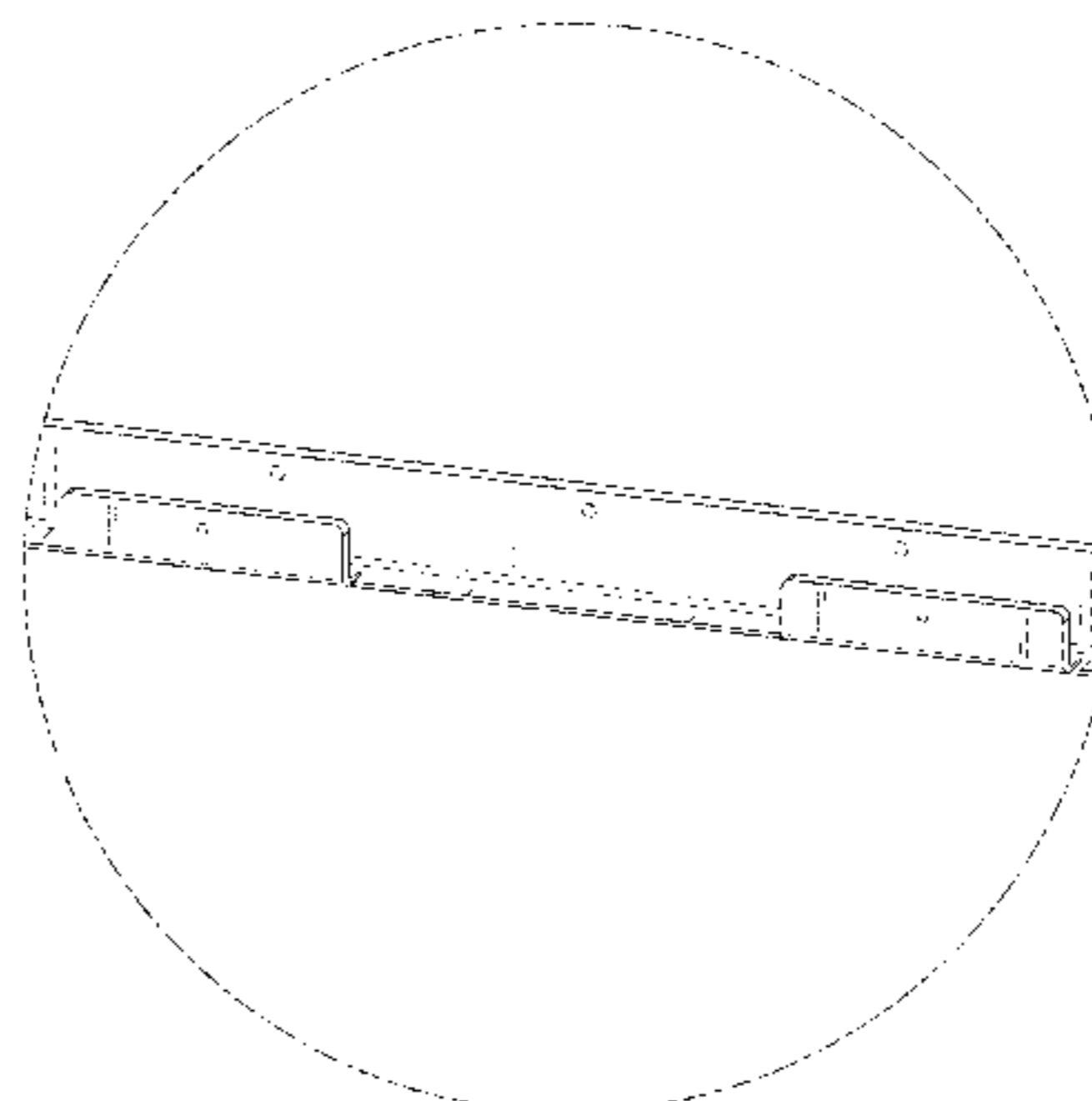
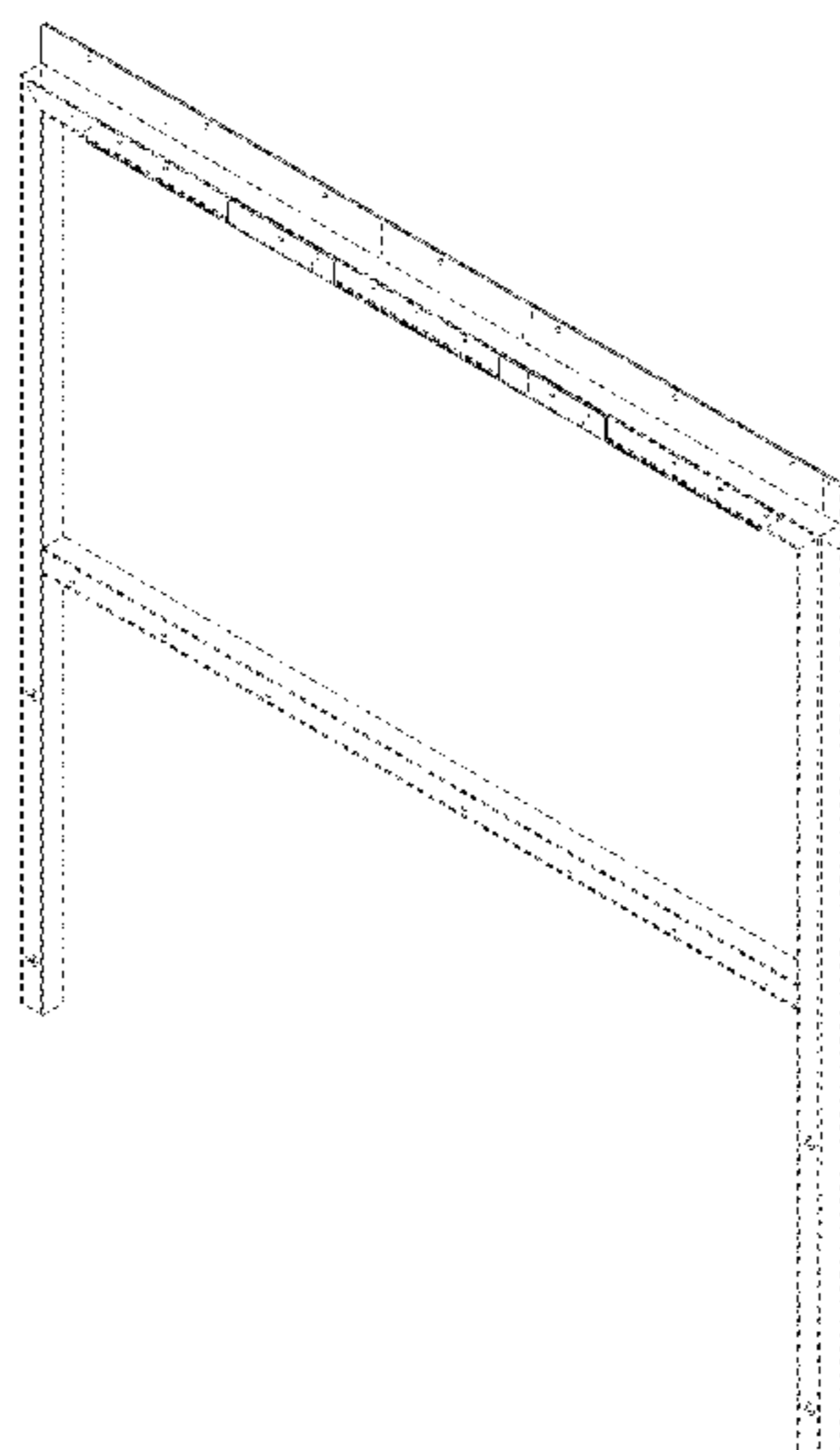
(57) **CLAIM**

The ornamental design for a bracket, as shown and described.

DESCRIPTION

FIG. 1 is a perspective view of a bracket.
 FIG. 2 is a perspective view of the bracket of FIG. 1 shown adjacent to a tankless water heater assembly.
 FIG. 3 is a perspective view of the bracket of FIG. 1 shown in context with a tankless water heater assembly.
 FIG. 4 is a front view of the bracket of FIG. 1.
 FIG. 5 is a rear view of the bracket of FIG. 1.
 FIG. 6 is a top view of the bracket of FIG. 1.
 FIG. 7 is a right side view of the bracket of FIG. 1, it being understood that the left side is a mirror image of the right side view.
 FIG. 8 is a bottom view of the bracket of FIG. 1.
 FIG. 9 is an enlarged perspective view of the bracket of FIG. 1.
 FIG. 10 is an enlarged partial perspective view of the bracket of FIG. 9.
 FIG. 11 is a front view of the bracket of FIG. 1.
 FIG. 12 is a rear view of the bracket of FIG. 1.
 FIG. 13 is a right side view of the bracket of FIG. 1, it being understood that the left side is a mirror image of the right side view.
 FIG. 14 is a top view of the bracket of FIG. 1; and,
 FIG. 15 is a bottom view of the bracket of FIG. 1.
 The dash dot dash broken line shown in FIGS. 9-10 are for the purpose of illustrating enlarged views and the dash dash broken lines shown in FIGS. 1-8, 11 & 12 are for the purpose for illustrating an environment and portions of the bracket that form no part of the claimed design. None of the broken lines form any part of the claimed design.

1 Claim, 11 Drawing Sheets



(56)

References Cited

U.S. PATENT DOCUMENTS

D767,381 S * 9/2016 Libreiro D25/119
D768,408 S * 10/2016 Blaine, III D6/570
D769,025 S * 10/2016 Eberling D6/569
2009/0223423 A1 * 9/2009 Meyers A47B 1/05
108/65
2011/0155021 A1 * 6/2011 Geitner A47B 3/08
108/25
2014/0157699 A1 * 6/2014 Moeller E04B 2/88
52/235
2014/0175033 A1 * 6/2014 Chen H05K 7/183
211/49.1
2016/0258170 A1 * 9/2016 Cymbala E04G 17/02
2016/0258177 A1 * 9/2016 Faries E04H 12/24
2016/0368428 A1 * 12/2016 Stiff B60N 3/08
2017/0025987 A1 * 1/2017 Stearns H02S 20/23

* cited by examiner

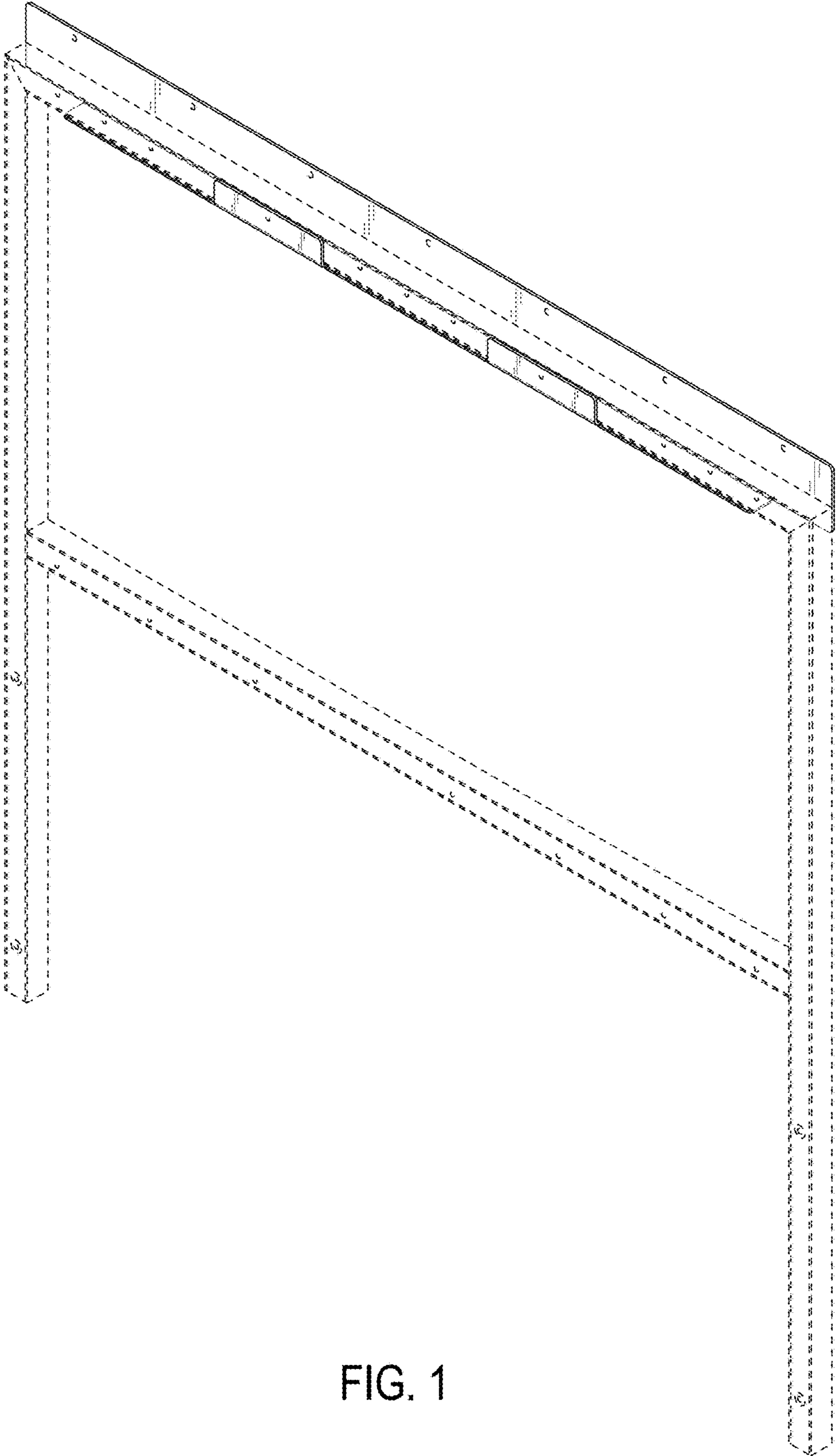


FIG. 1

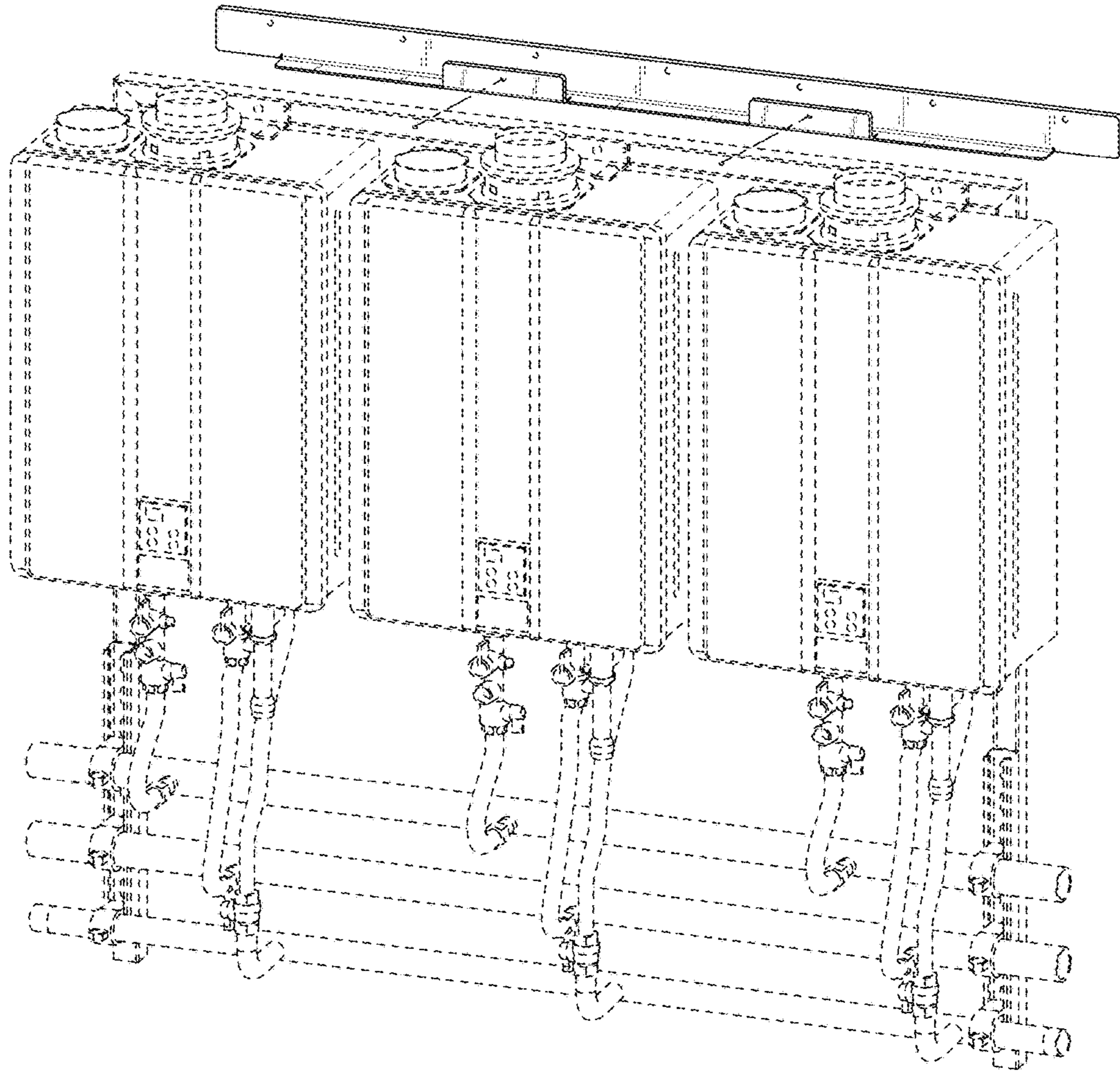


FIG. 2

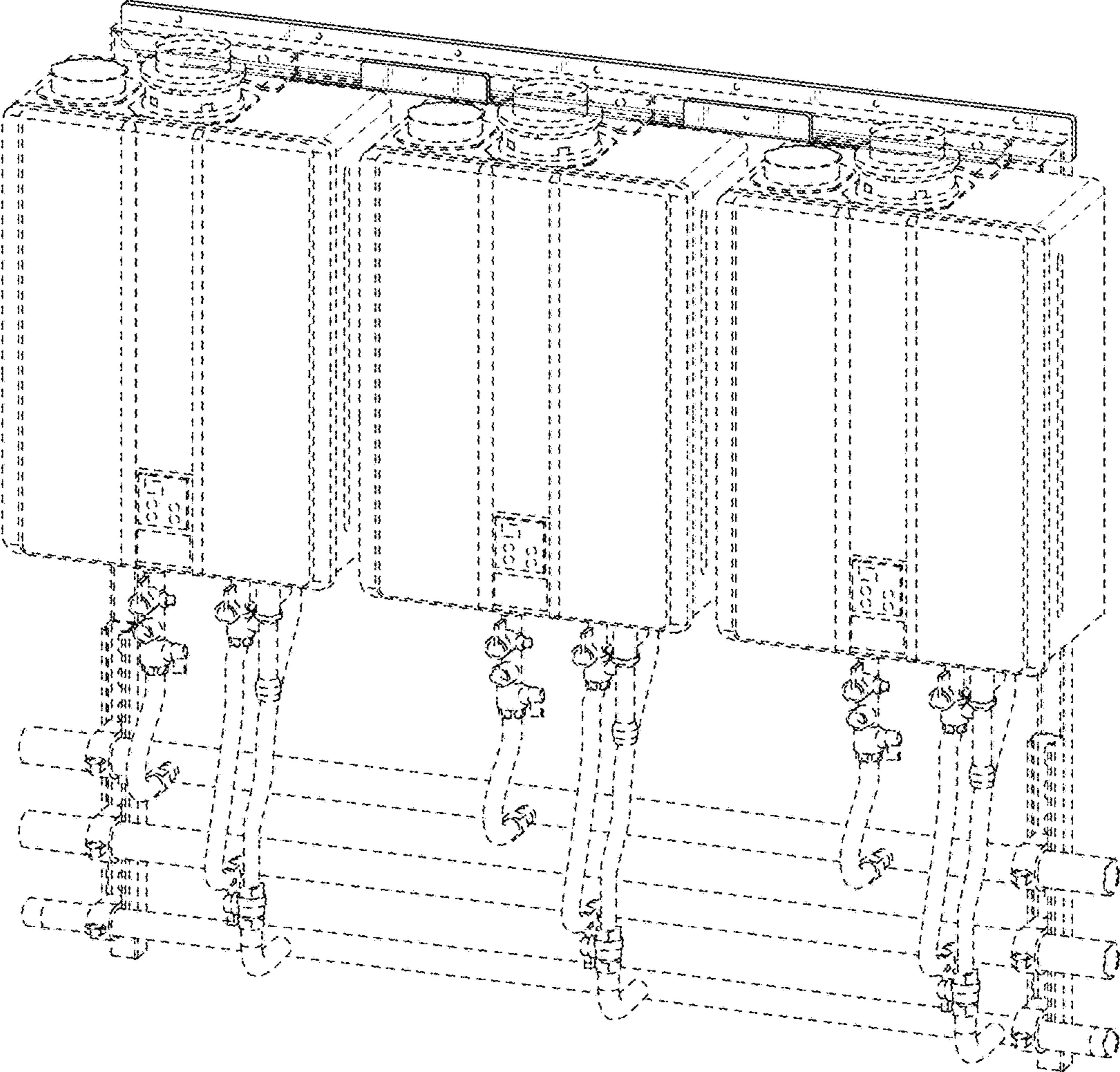


FIG. 3

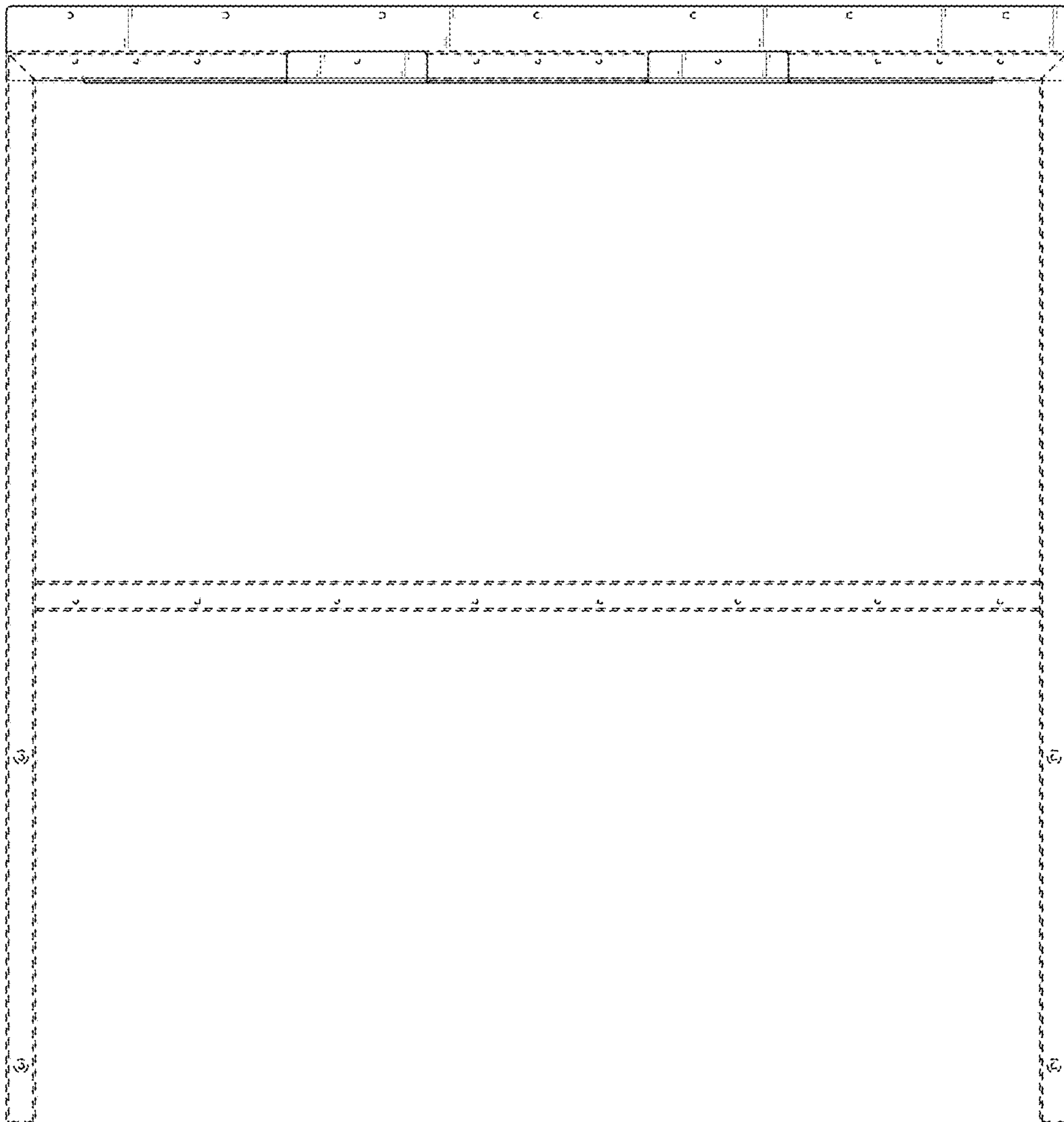


FIG. 4

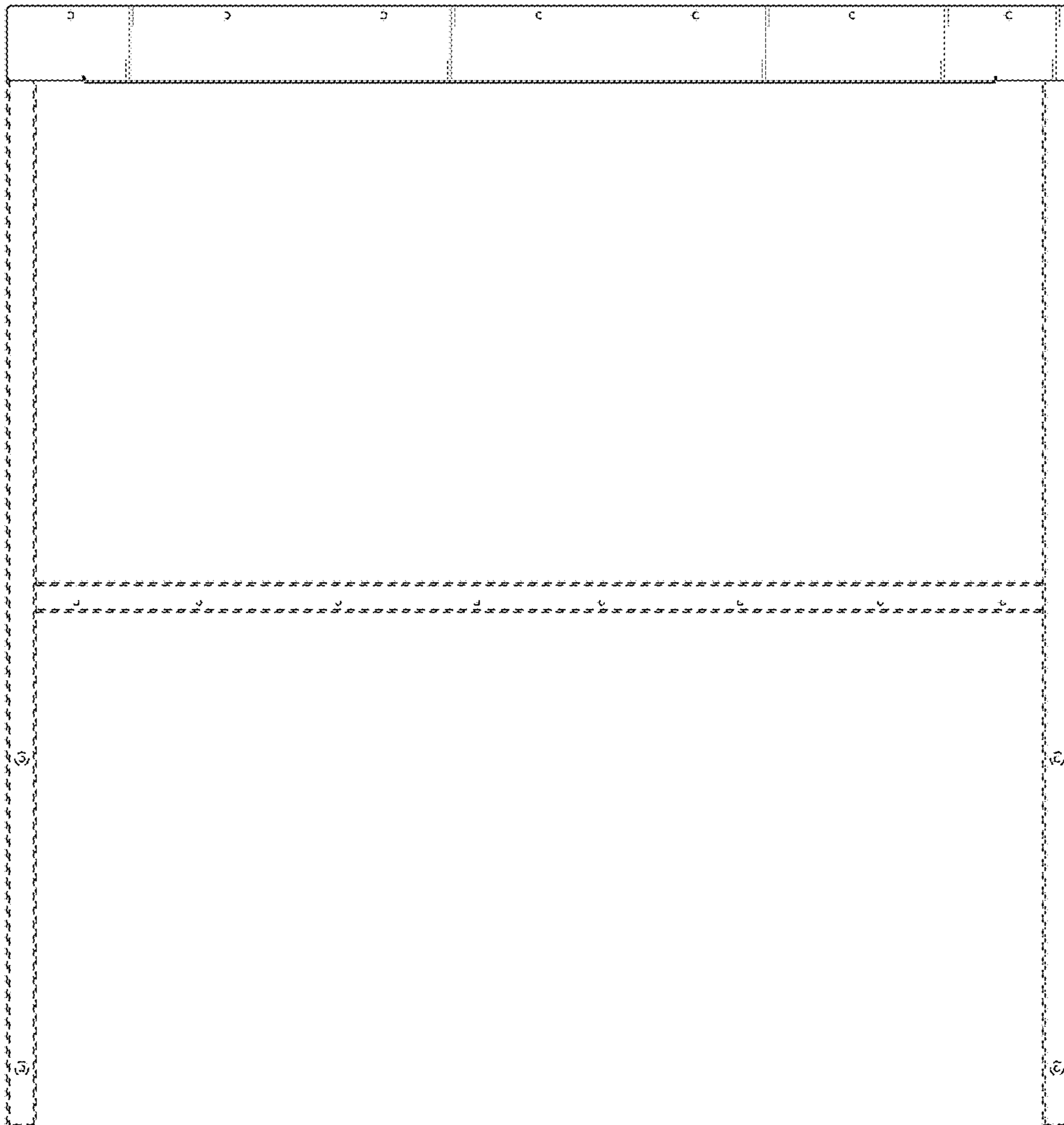


FIG. 5

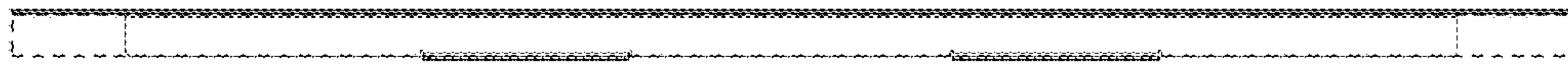


FIG. 6

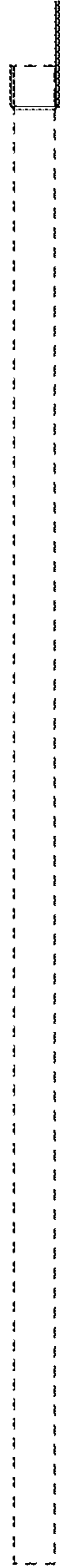


FIG. 7

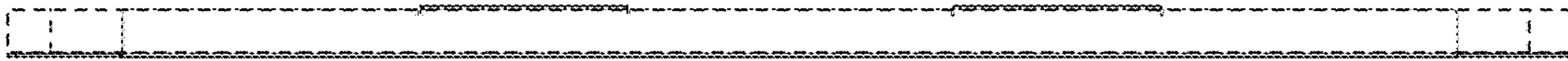


FIG. 8

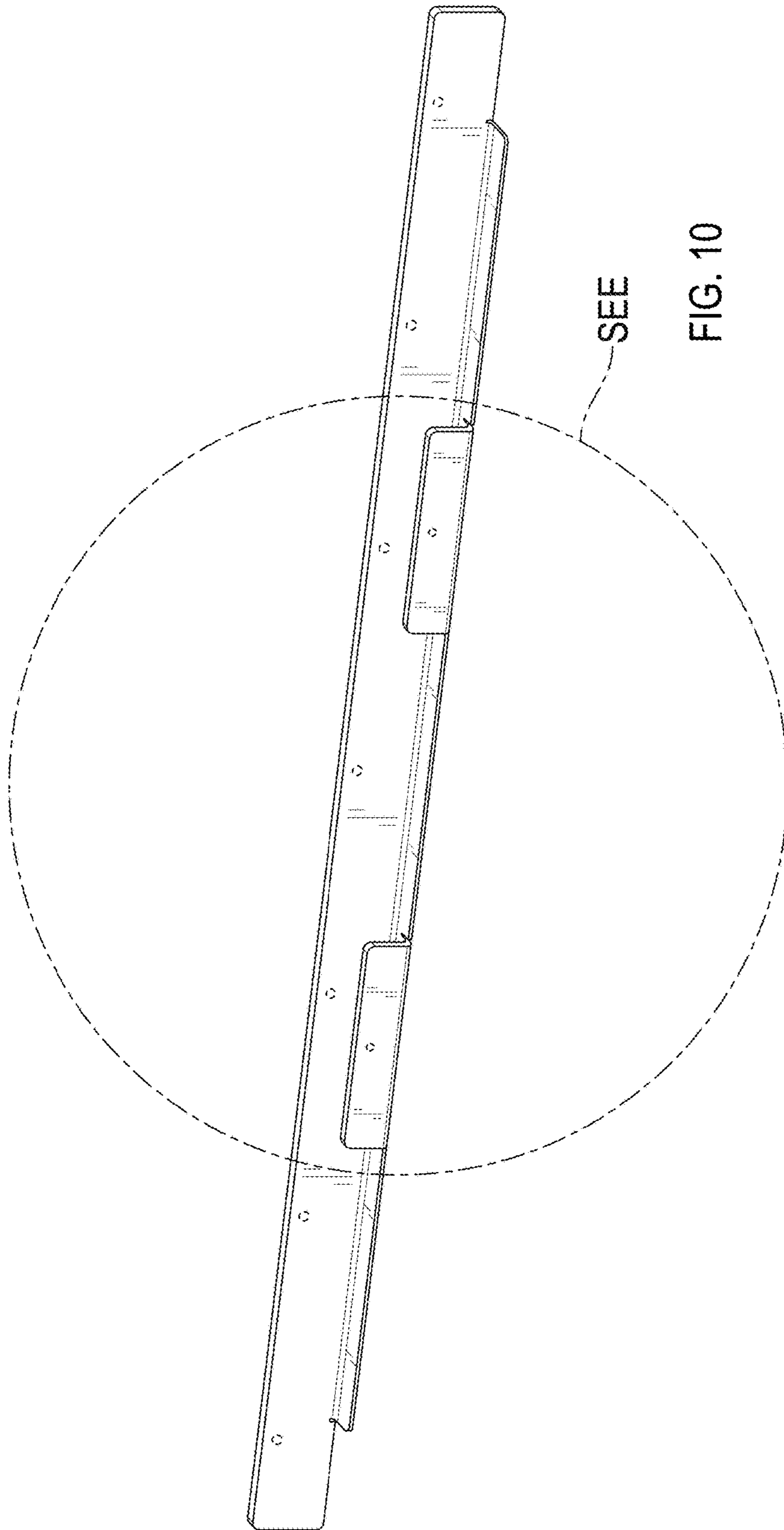


FIG. 9

FIG. 10

SEE

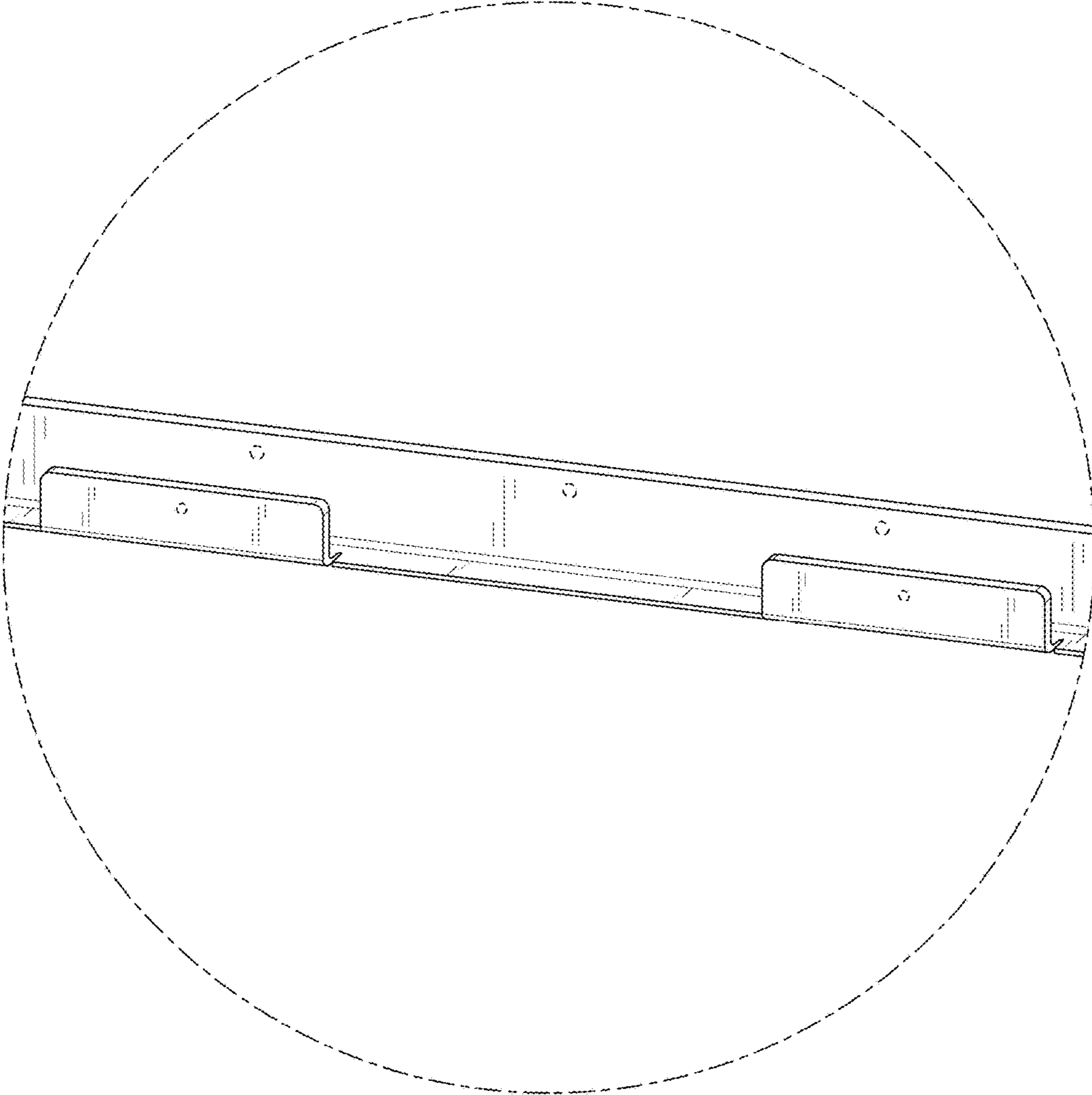


FIG. 10

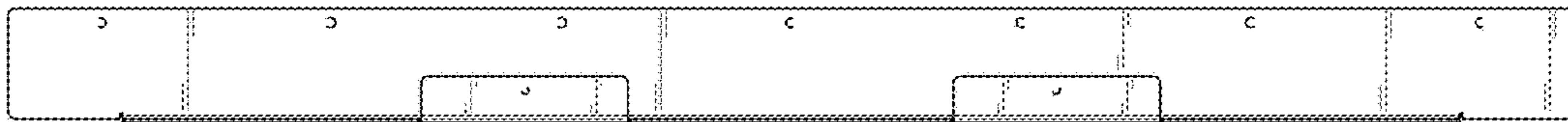


FIG. 11

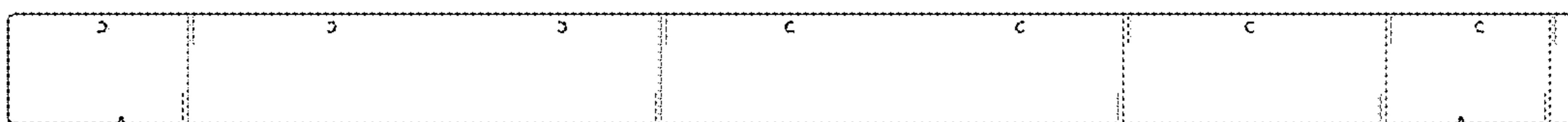


FIG. 12

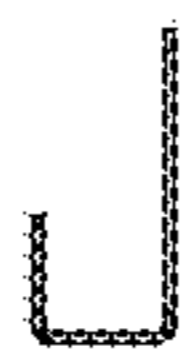


FIG. 13

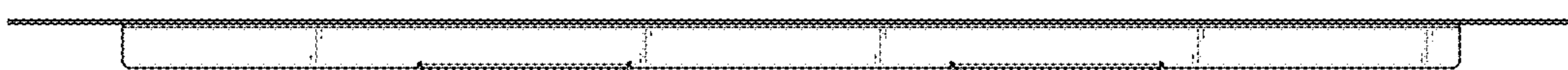


FIG. 14



FIG. 15