



US00D849518S

(12) **United States Design Patent**  
**Crawford**

(10) **Patent No.:** **US D849,518 S**

(45) **Date of Patent:** **\*\* May 28, 2019**

(54) **CHAIN HOOK**

(71) Applicant: **Joanne Crawford**, Amesbury, MA (US)

(72) Inventor: **Joanne Crawford**, Amesbury, MA (US)

(\*\*) Term: **15 Years**

(21) Appl. No.: **29/642,608**

(22) Filed: **Mar. 30, 2018**

(51) **LOC (11) Cl.** ..... **08-05**

(52) **U.S. Cl.**  
USPC ..... **D8/367**

(58) **Field of Classification Search**  
USPC ..... D8/367, 354, 18, 105, 356; D11/208,  
D11/218; 248/341  
CPC ..... F16M 13/02; A44B 13/0029; A45F 5/021;  
A45F 5/02; F16B 45/00  
See application file for complete search history.

(56) **References Cited**

**U.S. PATENT DOCUMENTS**

1,466,813	A *	9/1923	Werner	.....	A63G 9/12 248/341
6,000,108	A *	12/1999	Roan	.....	B66C 1/36 24/265 H
D600,099	S *	9/2009	Dahlin	.....	D8/367
9,254,778	B2 *	2/2016	Gangakhedkar	.....	B60P 7/0823
9,528,655	B1 *	12/2016	Miles	.....	F16M 13/022

10,036,415	B2 *	7/2018	Yitzhaki	.....	F16B 45/00
10,072,698	B2 *	9/2018	Pautsch	.....	F16B 45/00
10,159,378	B1 *	12/2018	Orban	.....	A47J 36/12
D837,040	S *	1/2019	Connor	.....	D8/367
2012/0297582	A1 *	11/2012	Lee	.....	A63B 21/0557 24/265 H

\* cited by examiner

*Primary Examiner* — Cynthia R Underwood

(74) *Attorney, Agent, or Firm* — Coleman & MacDonald  
Law Office

(57) **CLAIM**

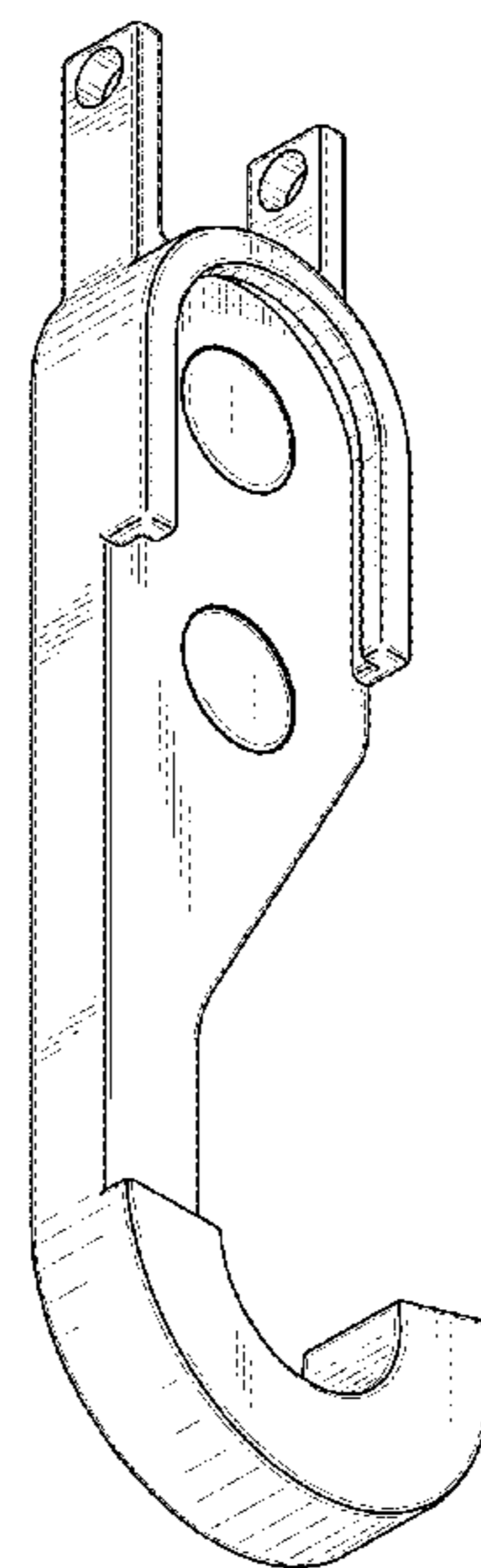
The ornamental design of a chain hook, as shown and described.

**DESCRIPTION**

FIG. 1 is a perspective view of a chain hook showing my new design;  
FIG. 2 is a left side view of the chain hook of FIG. 1;  
FIG. 3 is a rear view of the chain hook of FIG. 1;  
FIG. 4 is a bottom view of the chain hook of FIG. 1;  
FIG. 5 is a top view of the chain hook of FIG. 1;  
FIG. 6 is a right side view of the chain hook of FIG. 1;  
FIG. 7 is a front view of the chain hook of FIG. 1; and,  
FIG. 8 is another perspective view of the chain hook of FIG. 1 showing the chain hook as used with a mating hook and chain portions.

The broken lines in the figures illustrate environmental structure and form no part of the claimed design.

**1 Claim, 4 Drawing Sheets**



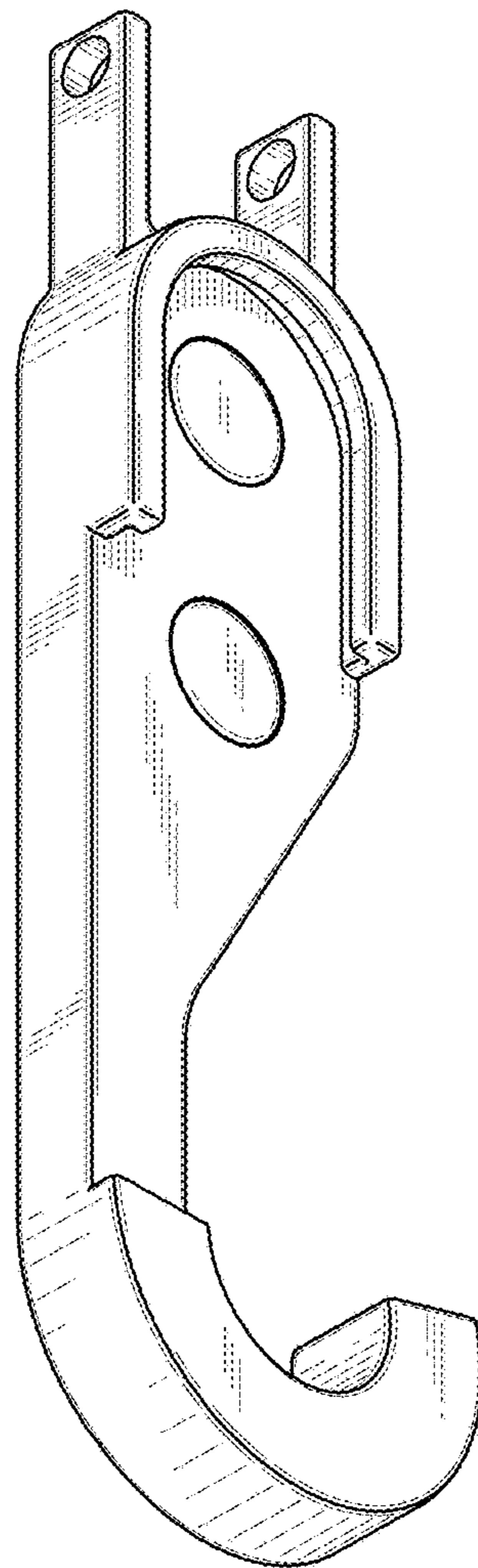


FIG. 1

FIG. 2

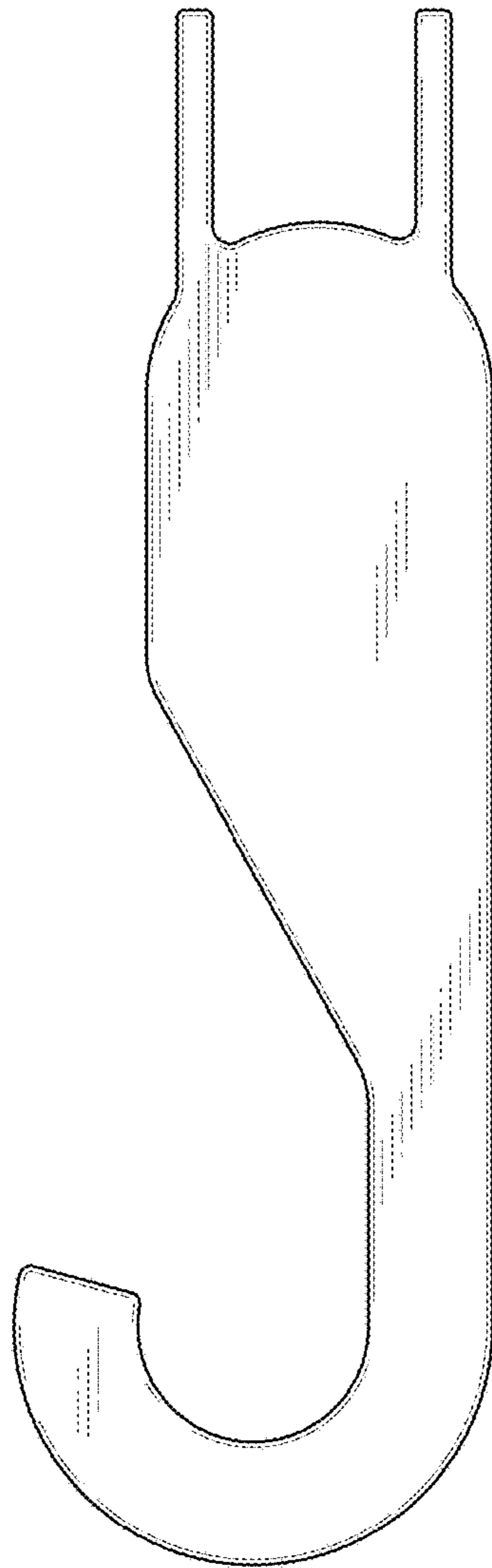


FIG. 3

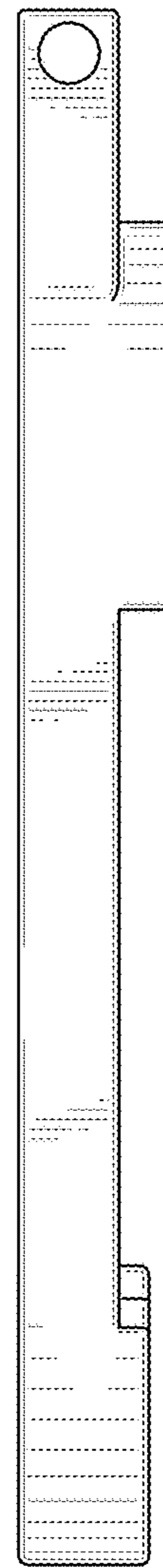


FIG. 4

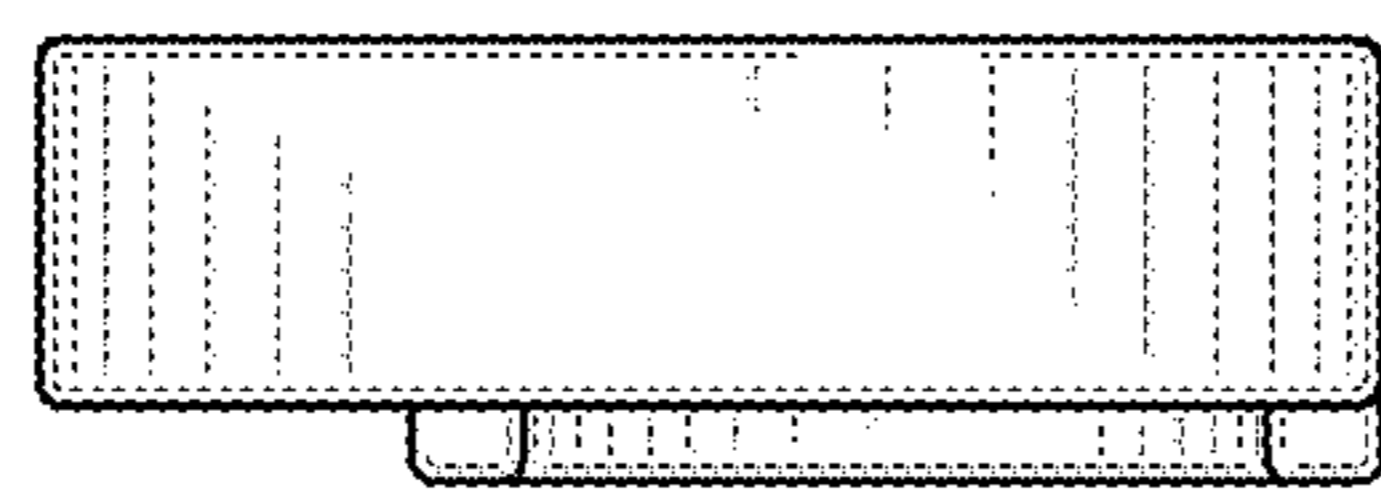


FIG. 5

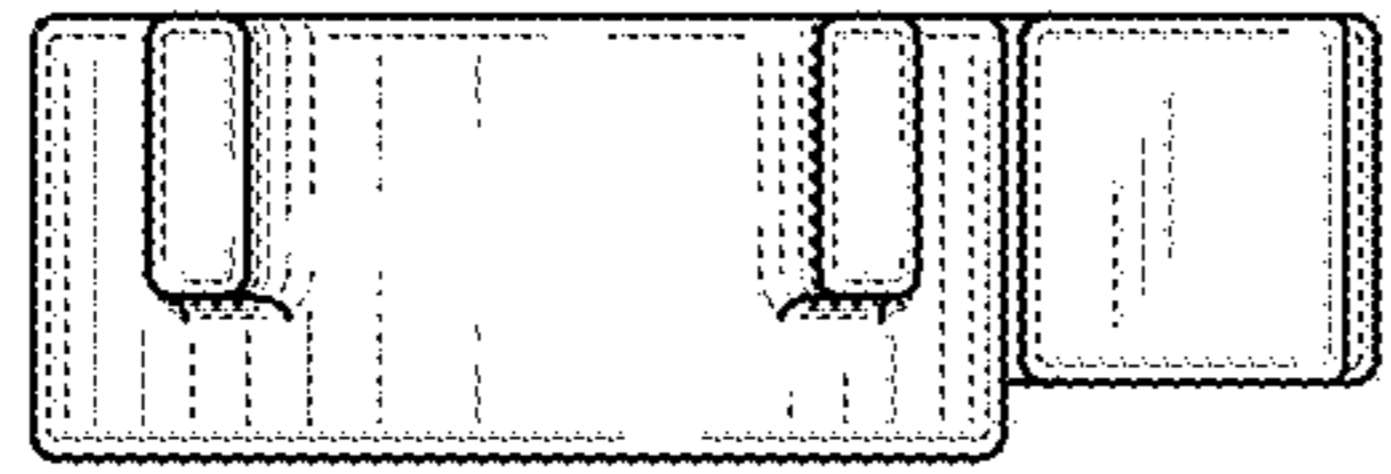


FIG. 6

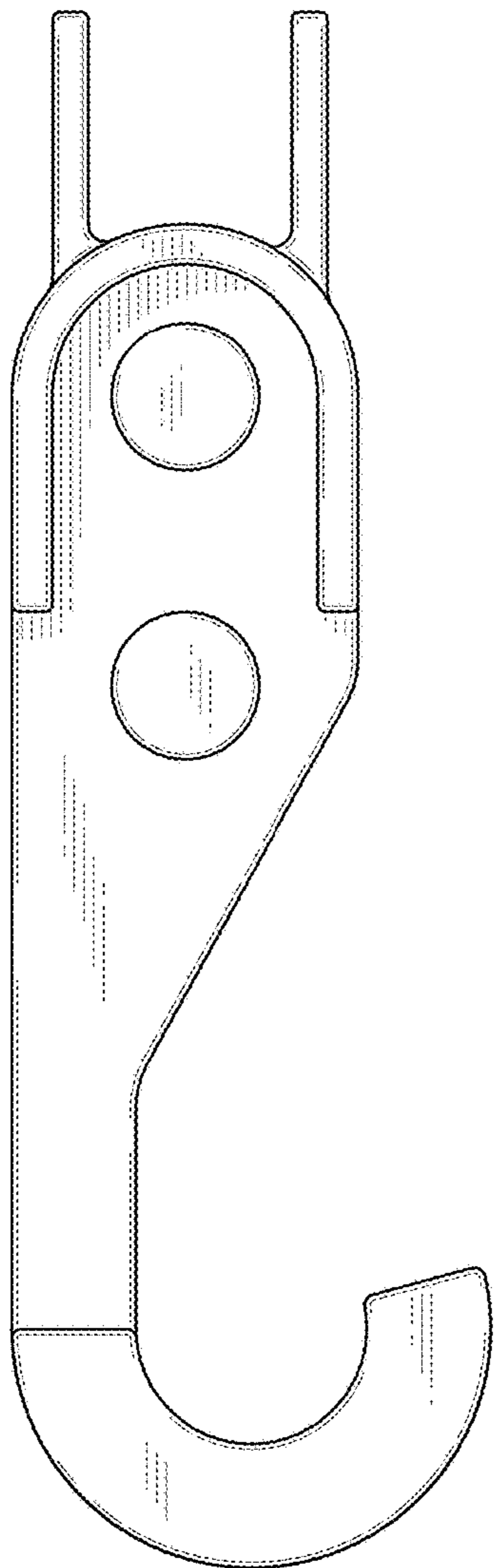


FIG. 7

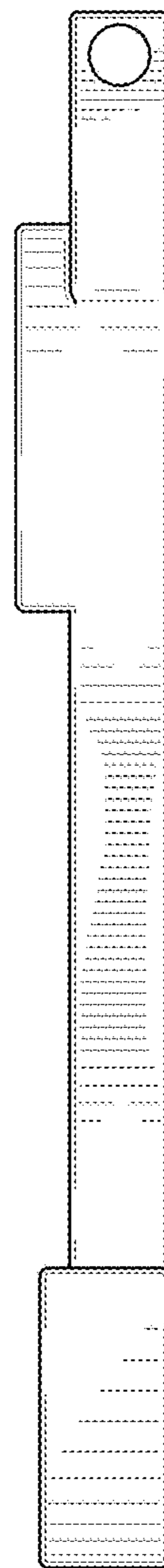


FIG. 8

