

US00D849517S

(12) **United States Design Patent**
Crawford

(10) **Patent No.:** **US D849,517 S**

(45) **Date of Patent:** **** May 28, 2019**

(54) **CHAIN HOOK**

(71) Applicant: **Joanne Crawford**, Amesbury, MA (US)

(72) Inventor: **Joanne Crawford**, Amesbury, MA (US)

(**) Term: **15 Years**

(21) Appl. No.: **29/642,603**

(22) Filed: **Mar. 30, 2018**

(51) **LOC (11) Cl.** **08-05**

(52) **U.S. Cl.**
USPC **D8/367**

(58) **Field of Classification Search**
USPC D8/367, 354, 18, 105, 356; D11/208,
D11/218; 248/341
CPC F16M 13/02; A44B 13/0029; A45F 5/021;
A45F 5/02; F16B 45/00
See application file for complete search history.

(56) **References Cited**

U.S. PATENT DOCUMENTS

- 1,466,813 A * 9/1923 Werner A63G 9/12
248/341
- 6,000,108 A * 12/1999 Roan B66C 1/36
24/265 H
- D600,099 S * 9/2009 Dahlin D8/367
- 9,254,778 B2 * 2/2016 Gangakhedkar B60P 7/0823
- 9,528,655 B1 * 12/2016 Miles F16M 13/022

- 10,036,415 B2 * 7/2018 Yitzhaki F16B 45/00
- 10,072,698 B2 * 9/2018 Pautsch F16B 45/00
- 10,159,378 B1 * 12/2018 Orban A47J 36/12
- D837,040 S * 1/2019 Connor D8/367
- 2012/0297582 A1 * 11/2012 Lee A63B 21/0557
24/265 H

* cited by examiner

Primary Examiner — Cynthia R Underwood
(74) *Attorney, Agent, or Firm* — Coleman & MacDonald
Law Office

(57) **CLAIM**

The ornamental design of a chain hook, as shown and described.

DESCRIPTION

FIG. 1 is a perspective view of a chain hook showing my new design;
FIG. 2 is a right side view of the chain hook of FIG. 1;
FIG. 3 is a front view of the chain hook of FIG. 1;
FIG. 4 is a bottom view of the chain hook of FIG. 1;
FIG. 5 is a top view of the chain hook of FIG. 1;
FIG. 6 is a left side view of the chain hook of FIG. 1;
FIG. 7 is a rear view of the chain hook of FIG. 1; and,
FIG. 8 is another perspective view of the chain hook of FIG. 1 showing the chain hook as used with a mating hook and chain portions.
The broken lines in the figures illustrate environmental structure and form no part of the claimed design.

1 Claim, 4 Drawing Sheets

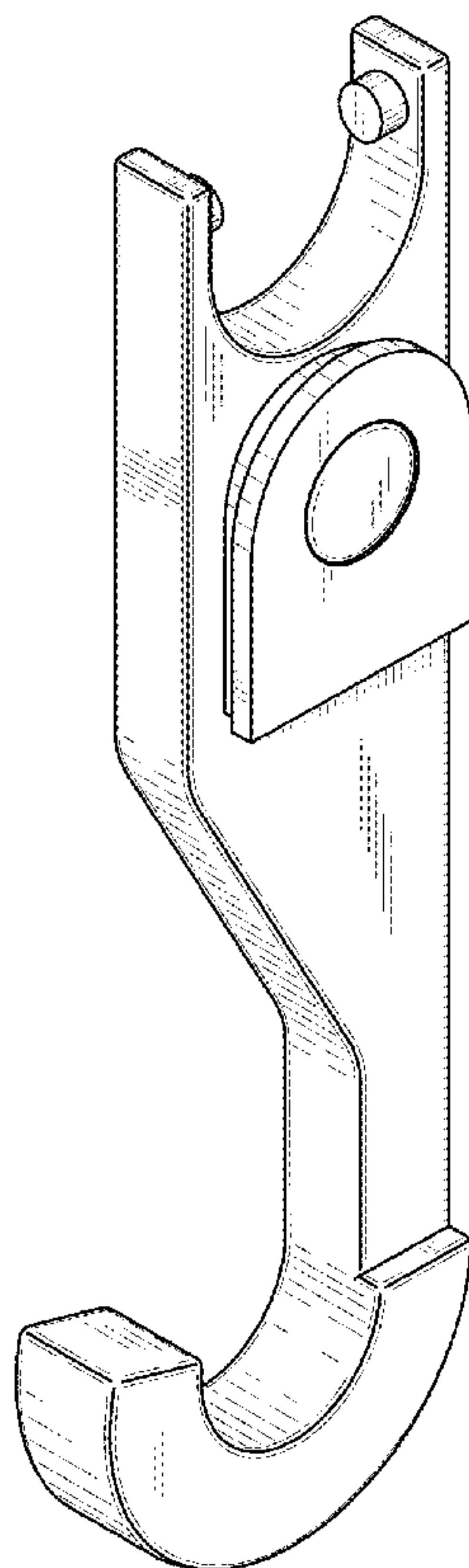


FIG. 1

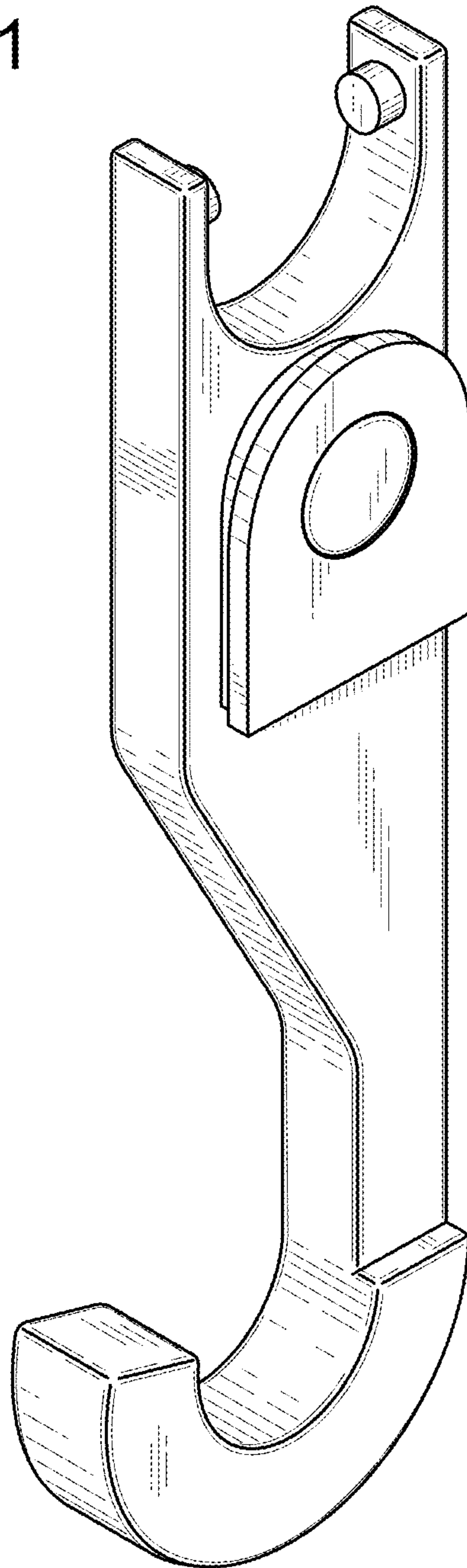


FIG. 2

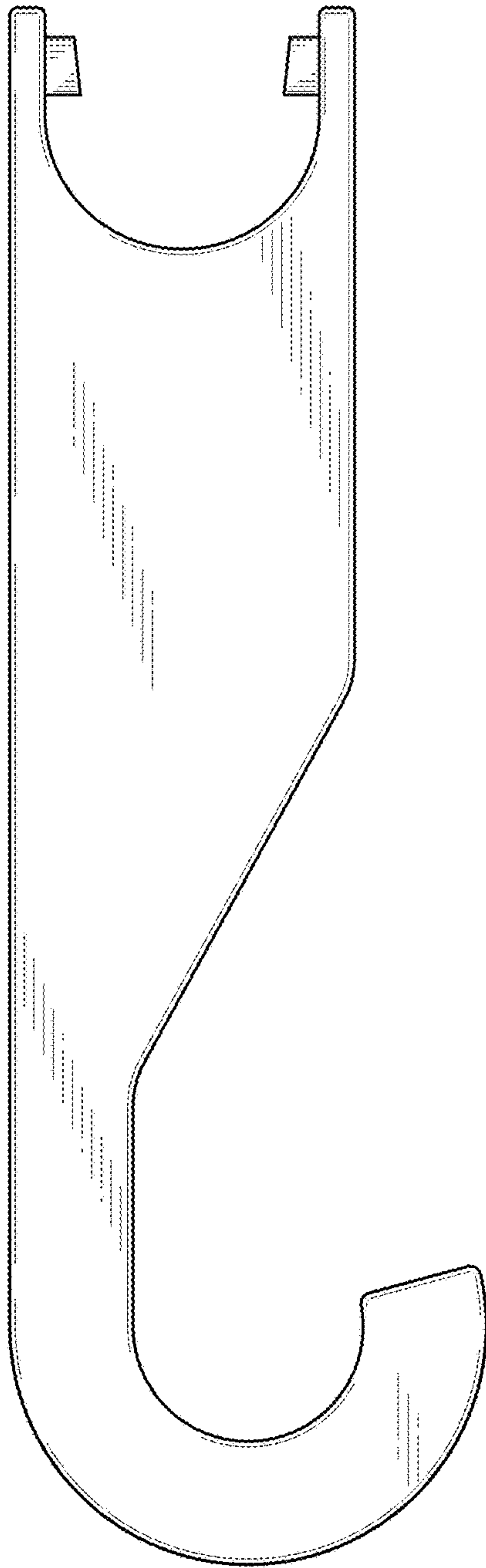


FIG. 3

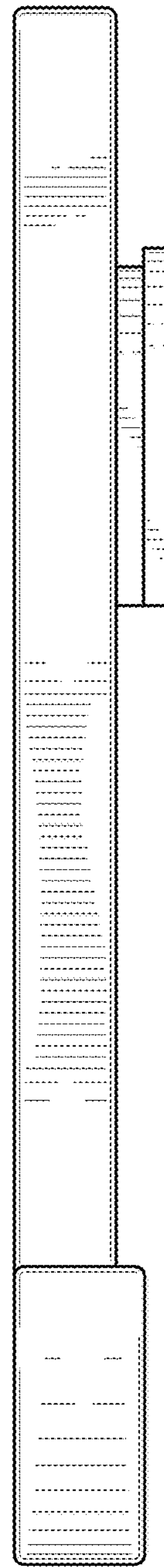


FIG. 4

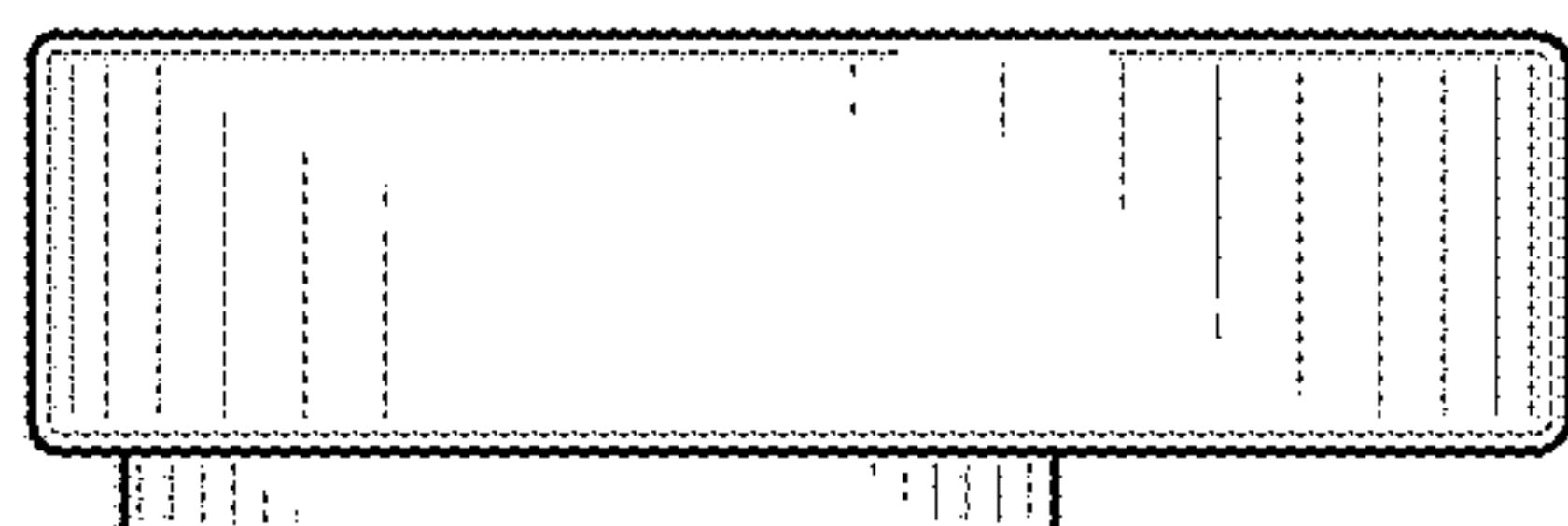


FIG. 5

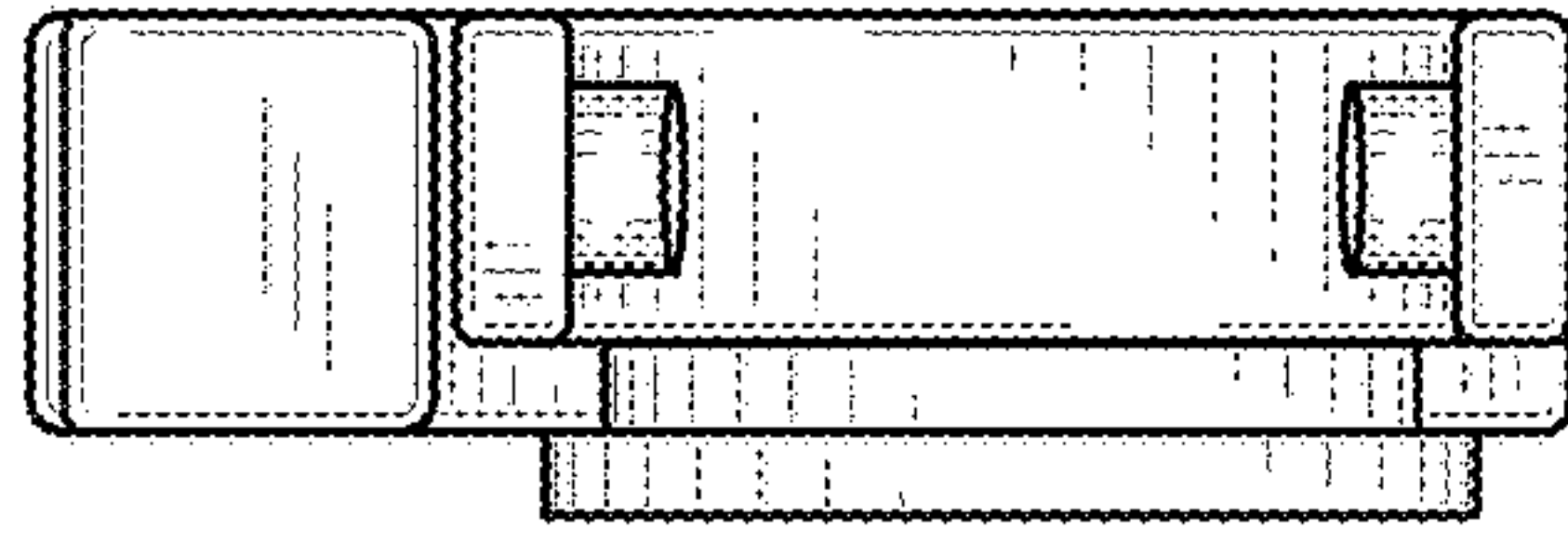


FIG. 6

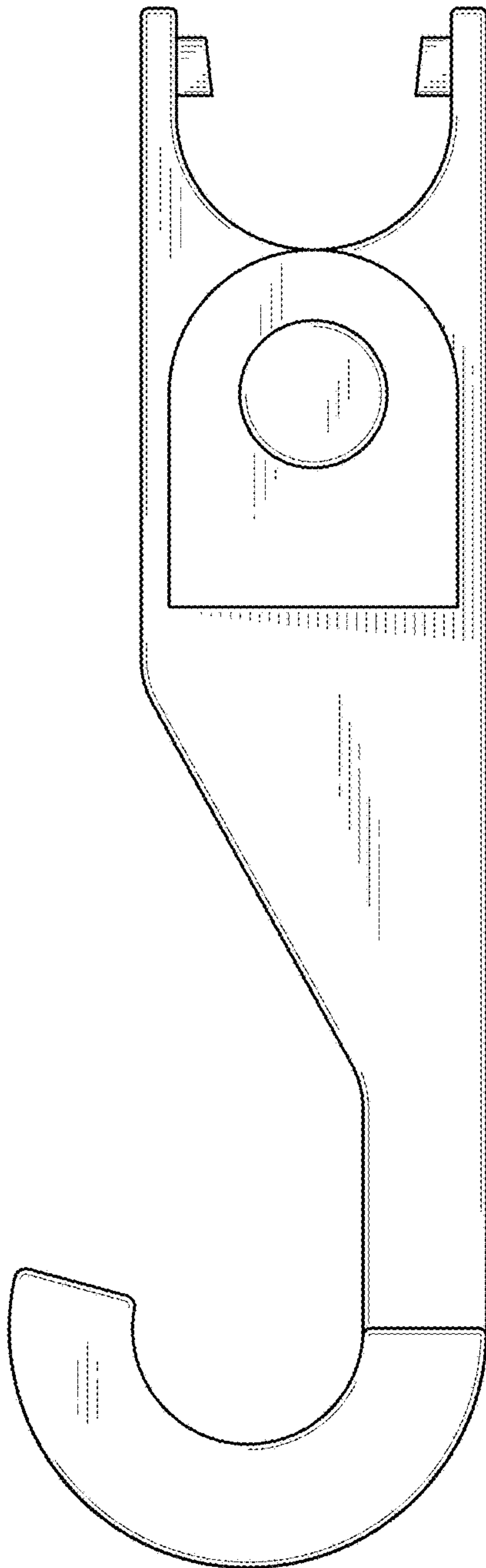


FIG. 7

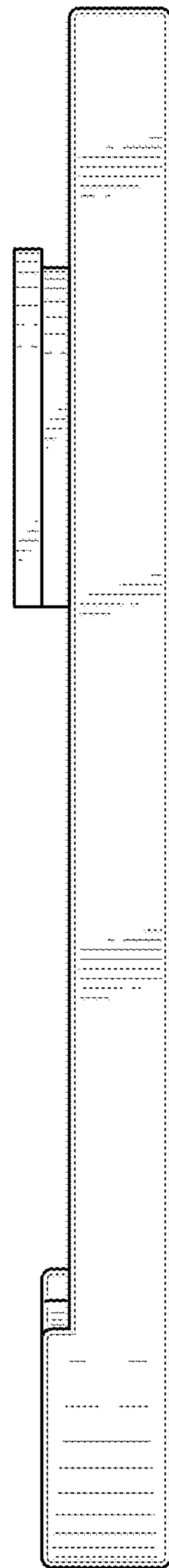


FIG. 8

