



US00D849516S

(12) **United States Design Patent**  
**Johnson**

(10) **Patent No.:** **US D849,516 S**

(45) **Date of Patent:** **\*\* May 28, 2019**

(54) **CLIP**

(71) Applicant: **Barbara Johnson**, Plymouth, MN (US)

(72) Inventor: **Barbara Johnson**, Plymouth, MN (US)

(\*\*) Term: **15 Years**

(21) Appl. No.: **29/640,698**

(22) Filed: **Mar. 16, 2018**

(51) **LOC (11) Cl.** ..... **08-05**

(52) **U.S. Cl.**  
USPC ..... **D8/367**

(58) **Field of Classification Search**  
USPC ..... D8/367, 354, 18, 105, 356; D11/208,  
D11/218; 248/341

CPC ..... F16M 13/02; A44B 13/0029; A45F 5/021;  
A45F 5/02; F16B 45/00

See application file for complete search history.

(56) **References Cited**

**U.S. PATENT DOCUMENTS**

D357,402 S *	4/1995	Roethler	.....	D8/367
D373,526 S *	9/1996	Roethler	.....	D8/367
D412,100 S *	7/1999	Kruse	.....	D8/367
D535,111 S *	1/2007	Giampavolo	.....	D6/328
D600,099 S *	9/2009	Dahlin	.....	D8/367
D635,844 S *	4/2011	Boothby	.....	D8/367
D646,151 S *	10/2011	Potts	.....	D8/367
D694,613 S *	12/2013	Miles	.....	D8/367
D721,264 S *	1/2015	Babicki	.....	D8/367

D757,532 S *	5/2016	Cerar	.....	D10/103
D766,707 S *	9/2016	Greenleaf	.....	D8/367
9,433,261 B1 *	9/2016	Miles	.....	A44B 13/0029
9,528,655 B1 *	12/2016	Miles	.....	F16M 13/022
D778,145 S *	2/2017	Smith	.....	D8/367
D787,925 S *	5/2017	Moerer	.....	D11/208
9,635,925 B2 *	5/2017	Moreau	.....	A45F 5/021
D792,922 S *	7/2017	Benson	.....	D17/22
D798,695 S *	10/2017	Davison	.....	D8/367
D802,399 S *	11/2017	Ward	.....	D8/367
D808,769 S *	1/2018	Yitzhaki	.....	D8/349
D819,431 S *	6/2018	Goodman	.....	D8/367
10,099,899 B2 *	10/2018	Smith	.....	B66D 3/006
D837,040 S *	1/2019	Connor	.....	D8/367
2004/0178240 A1 *	9/2004	Bauer	.....	A45F 5/02 224/268

\* cited by examiner

*Primary Examiner* — Cynthia R Underwood

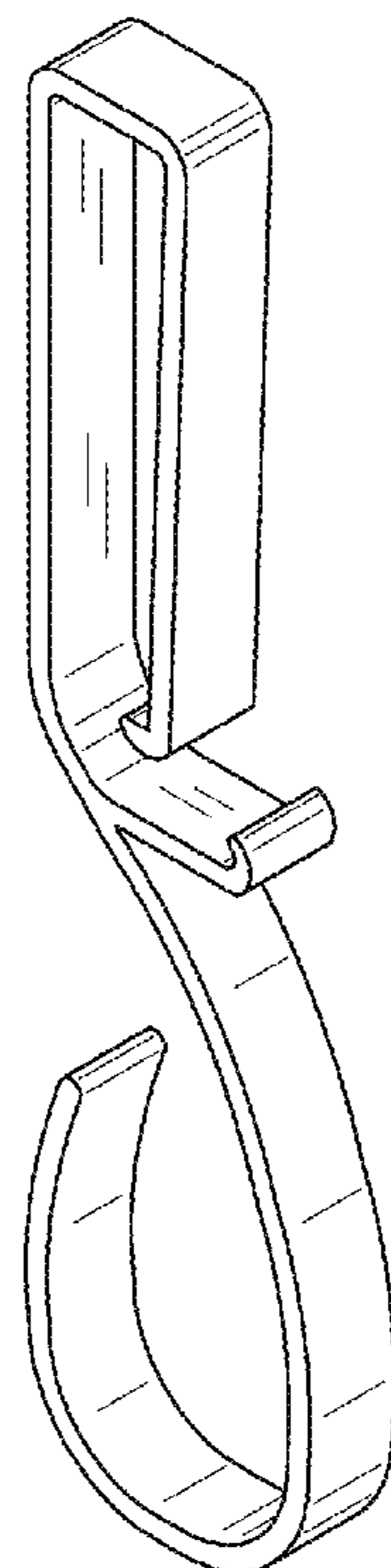
(57) **CLAIM**

The ornamental design for a clip, as shown and described.

**DESCRIPTION**

FIG. 1 is a rear isometric view of a clip showing my new design;  
FIG. 2 is a right side view of the clip, a left side view of the clip being a mirror image thereof; and,  
FIG. 3 is a rear view of the clip.

**1 Claim, 1 Drawing Sheet**



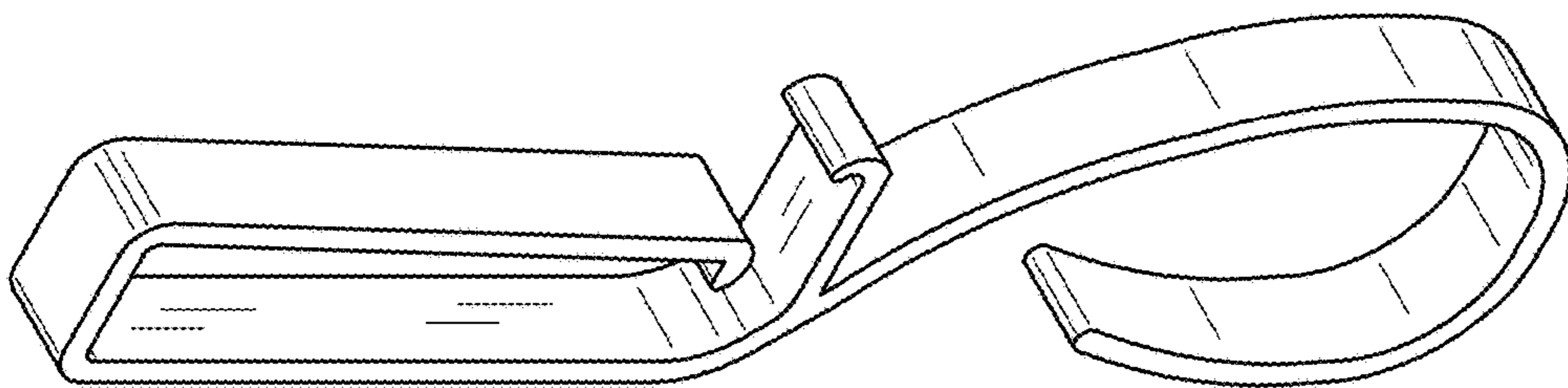


FIG. 1

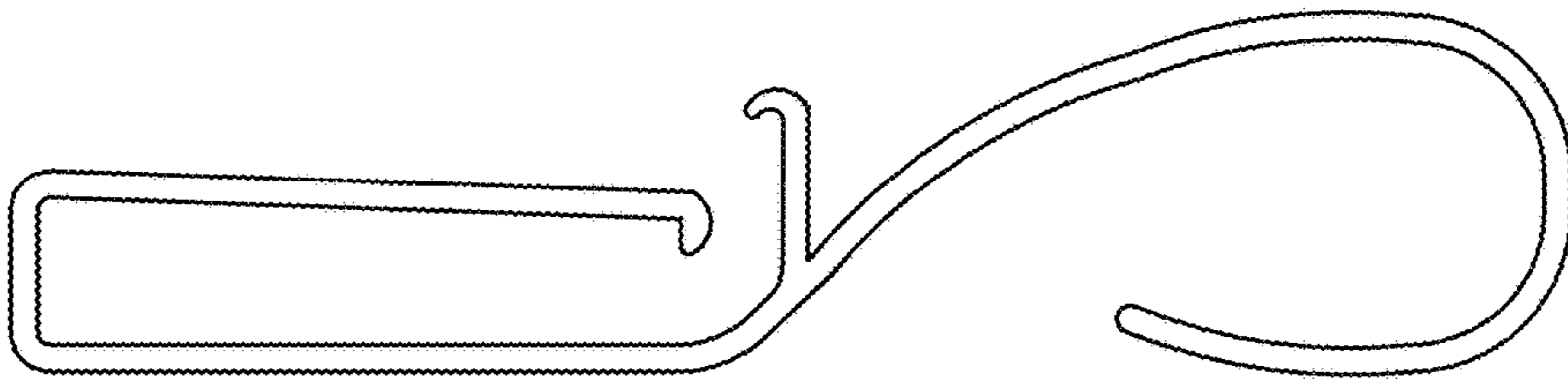


FIG. 2

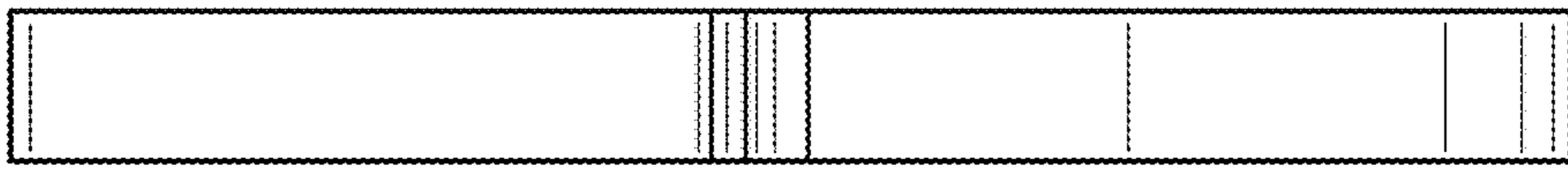


FIG. 3