



US00D849514S

(12) **United States Design Patent**
Rinaldi

(10) **Patent No.:** **US D849,514 S**

(45) **Date of Patent:** **** May 28, 2019**

(54) **BRACKET AND RECEIVER SET**

(71) Applicant: **David C. Rinaldi**, Belton, MO (US)

(72) Inventor: **David C. Rinaldi**, Belton, MO (US)

(**) Term: **15 Years**

(21) Appl. No.: **29/547,714**

(22) Filed: **Dec. 7, 2015**

(51) **LOC (11) Cl.** **08-05**

(52) **U.S. Cl.**
USPC **D8/354**

(58) **Field of Classification Search**

USPC D8/349, 352, 353, 339, 343, 344, 380,
D8/354; D7/601, 620

CPC B60N 3/103; B60N 3/105; B60N 3/107;
B60N 3/108

See application file for complete search history.

(56) **References Cited**

U.S. PATENT DOCUMENTS

- 2,628,054 A * 2/1953 Fazakerley B60N 3/103
211/74
- D236,051 S * 7/1975 Opincar, Sr. D6/556
- D286,009 S * 10/1986 Nadav D12/425
- 4,739,582 A * 4/1988 Cullinane A47G 7/044
47/41.12
- D303,057 S * 8/1989 Smith D7/620
- D312,386 S * 11/1990 Poivre 248/300

(Continued)

Primary Examiner — Janice Hallmark

Assistant Examiner — Harold E Blackwell, II

(74) *Attorney, Agent, or Firm* — Polsinelli PC; Adam C. Rehm

(57) **CLAIM**

The ornamental design for a bracket and receiver set, as shown and described.

DESCRIPTION

FIG. 1 is a top, left, front perspective view of a bracket and receiver set showing my new design with the bracket and first receiver;

FIG. 2 is a left side elevation view thereof;

FIG. 3 is a front elevation view thereof;

FIG. 4 is a top plan view thereof;

FIG. 5 is a rear elevation view thereof;

FIG. 6 is a bottom plan view thereof;

FIG. 7 is a top, left, front perspective view of a bracket and receiver set with the bracket and second receiver;

FIG. 8 is a left side elevation view thereof;

FIG. 9 is a front elevation view thereof;

FIG. 10 is a top plan view thereof;

FIG. 11 is a rear elevation view thereof;

FIG. 12 is a bottom plan view thereof;

FIG. 13 is a top, left, front perspective view of the bracket and receiver set with the bracket and third receiver;

FIG. 14 is a left side elevation view thereof;

FIG. 15 is a front elevation view thereof;

FIG. 16 is a top plan view thereof;

FIG. 17 is a rear elevation view thereof;

FIG. 18 is a bottom plan view thereof;

FIG. 19 is a top, left, front perspective view of the bracket and receiver set with the bracket and fourth receiver;

FIG. 20 is a left side elevation view thereof;

FIG. 21 is a front elevation view thereof;

FIG. 22 is a top plan view thereof;

FIG. 23 is a rear elevation view thereof;

FIG. 24 is a bottom plan view thereof;

FIG. 25 is a top, left, front perspective view of the bracket system with interchangeable receivers with the bracket and fifth receiver;

FIG. 26 is a left side elevation view;

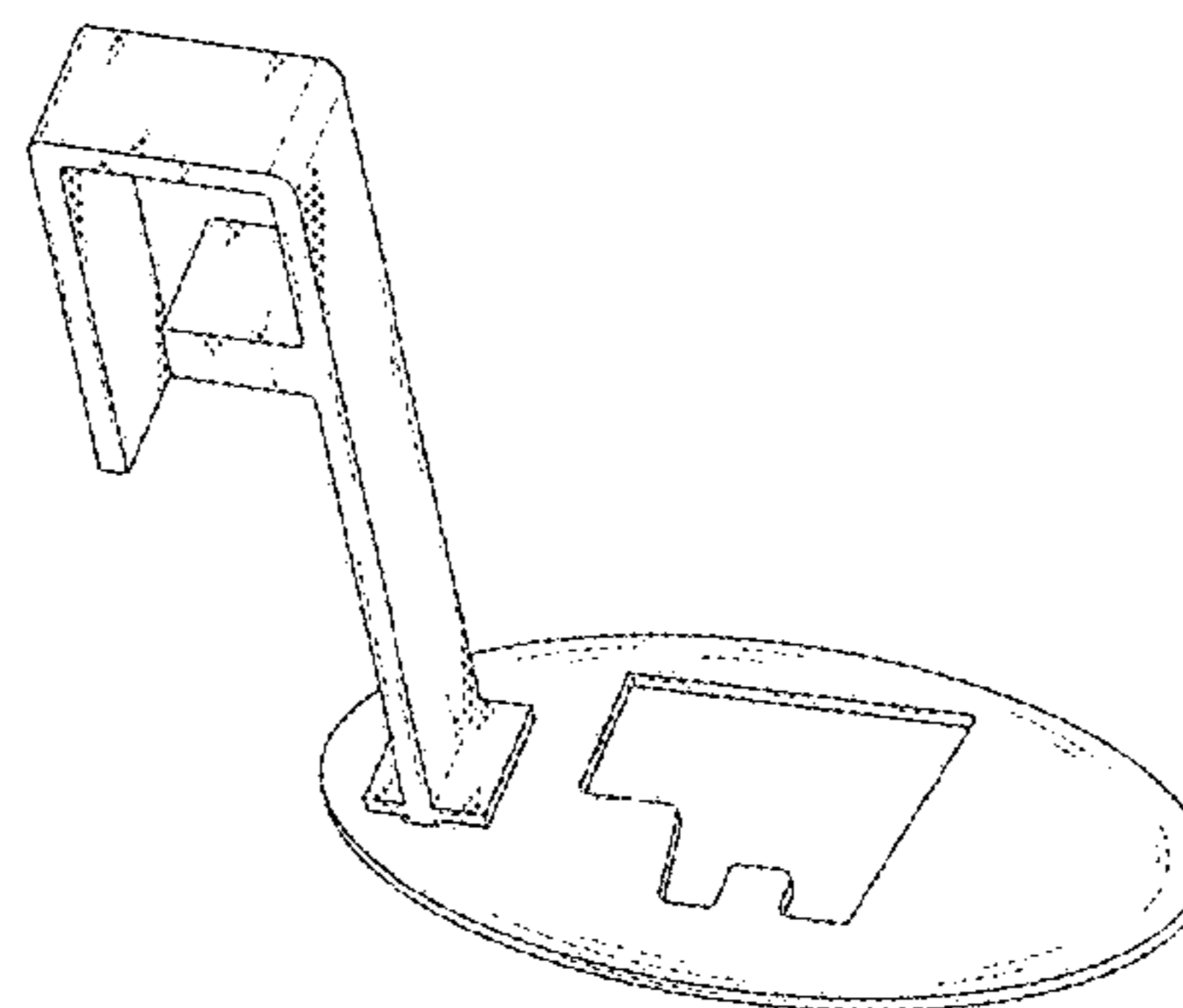
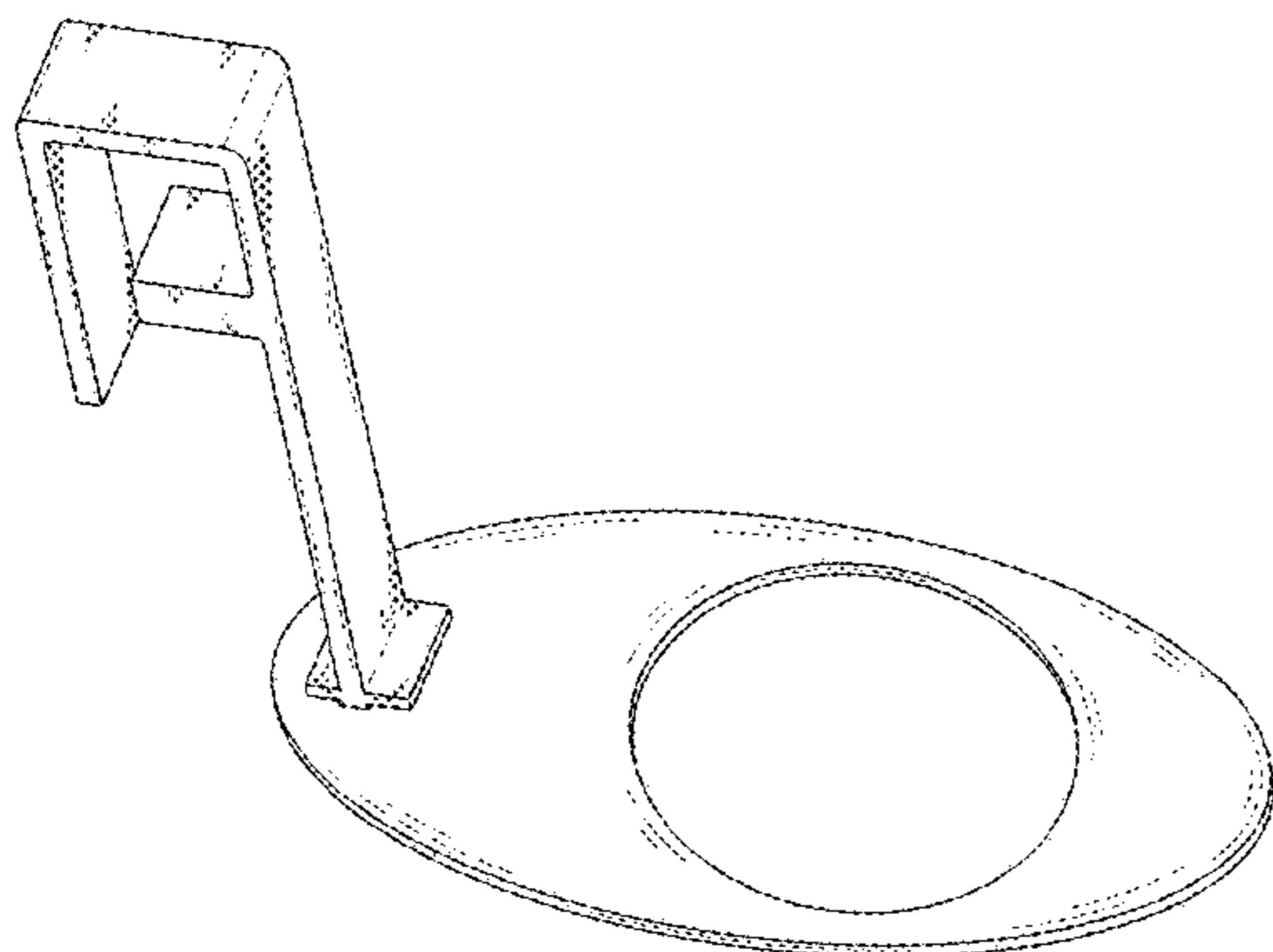
FIG. 27 is a front elevation view thereof;

FIG. 28 is a top plan view thereof;

FIG. 29 is a rear elevation view thereof; and,

FIG. 30 is a bottom plan view thereof.

1 Claim, 30 Drawing Sheets



(56)

References Cited

U.S. PATENT DOCUMENTS

D326,589 S * 6/1992 White D12/420
D799,909 S * 10/2017 Partridge D7/620

* cited by examiner

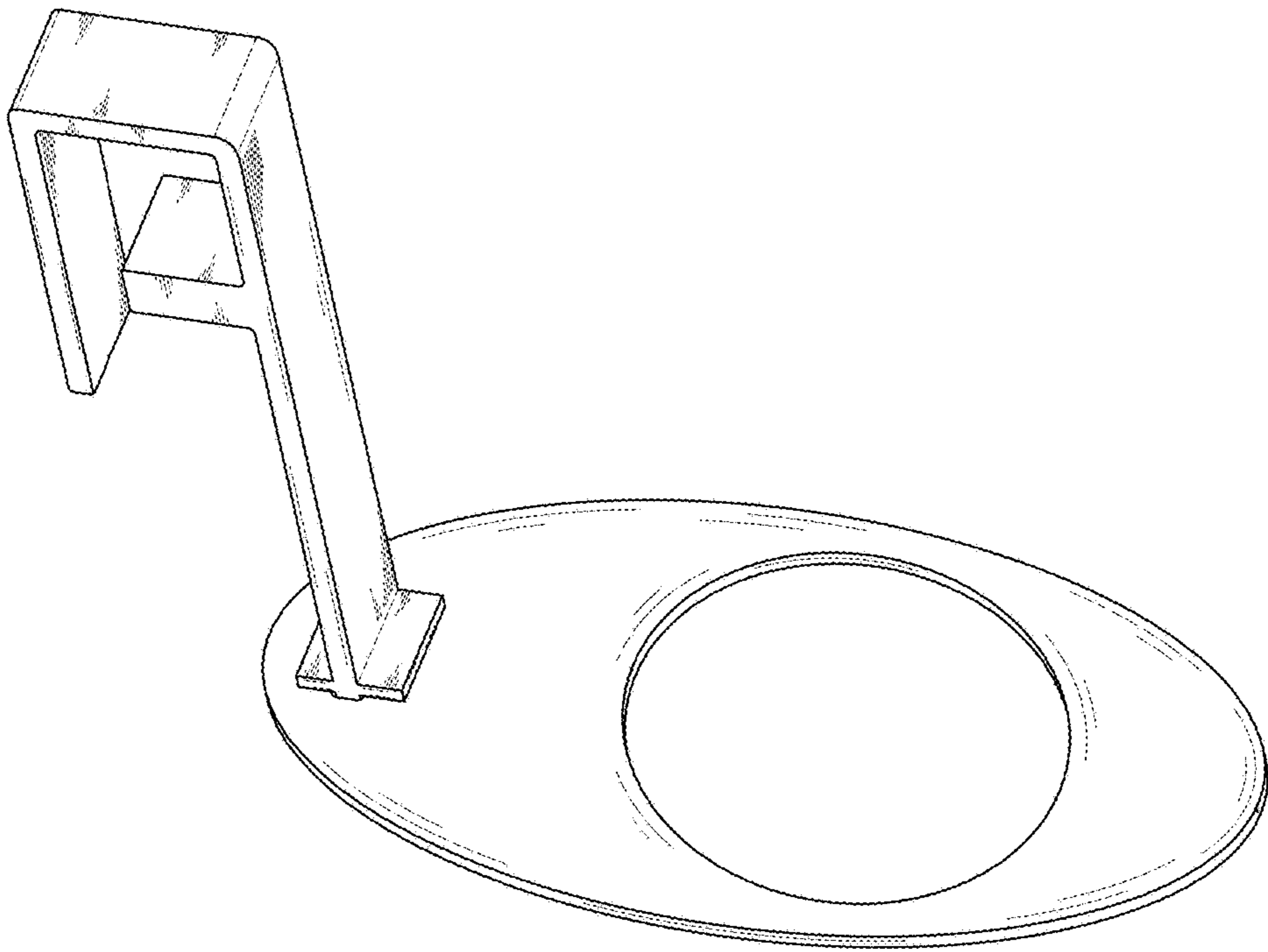


FIG. 1

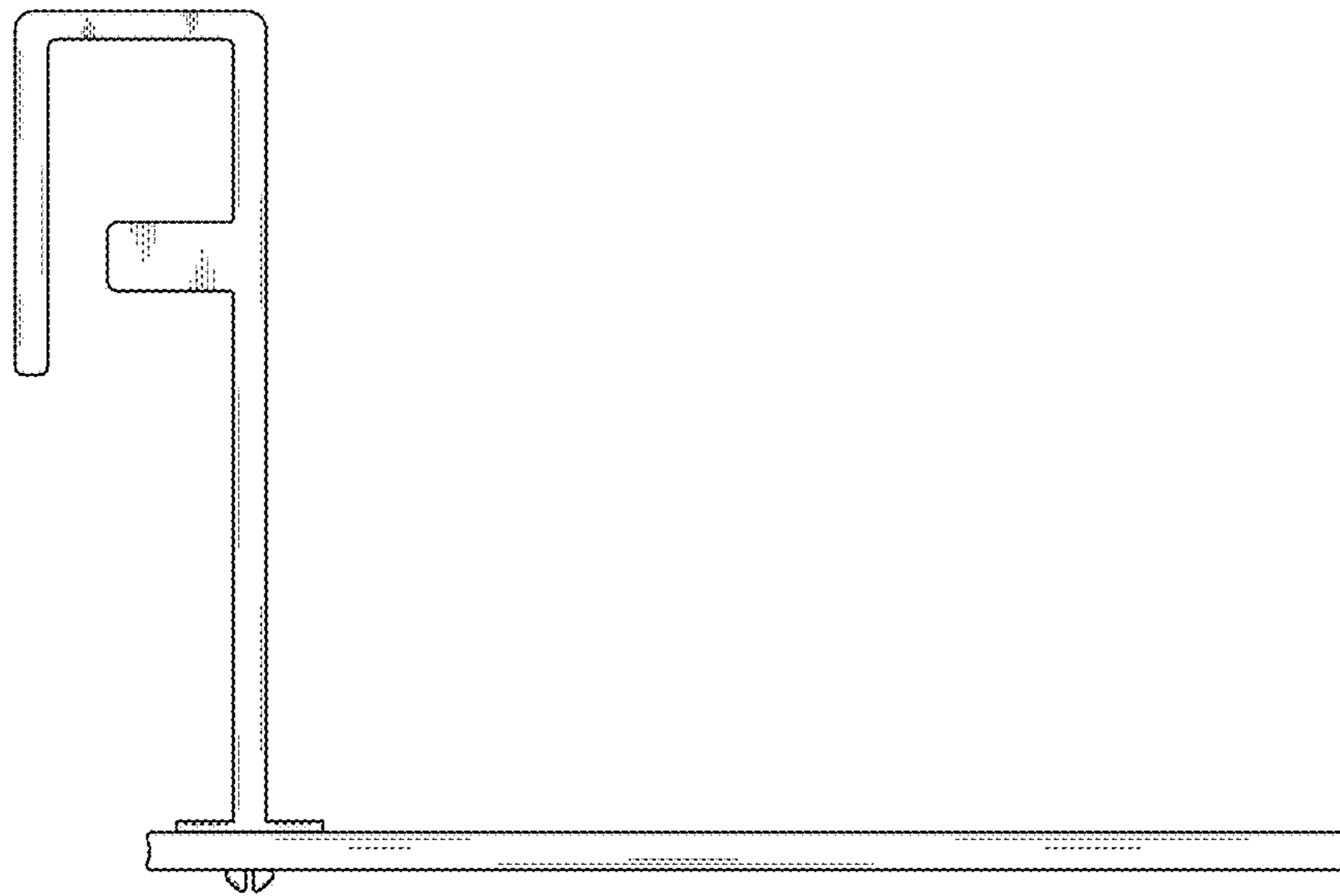


FIG. 2

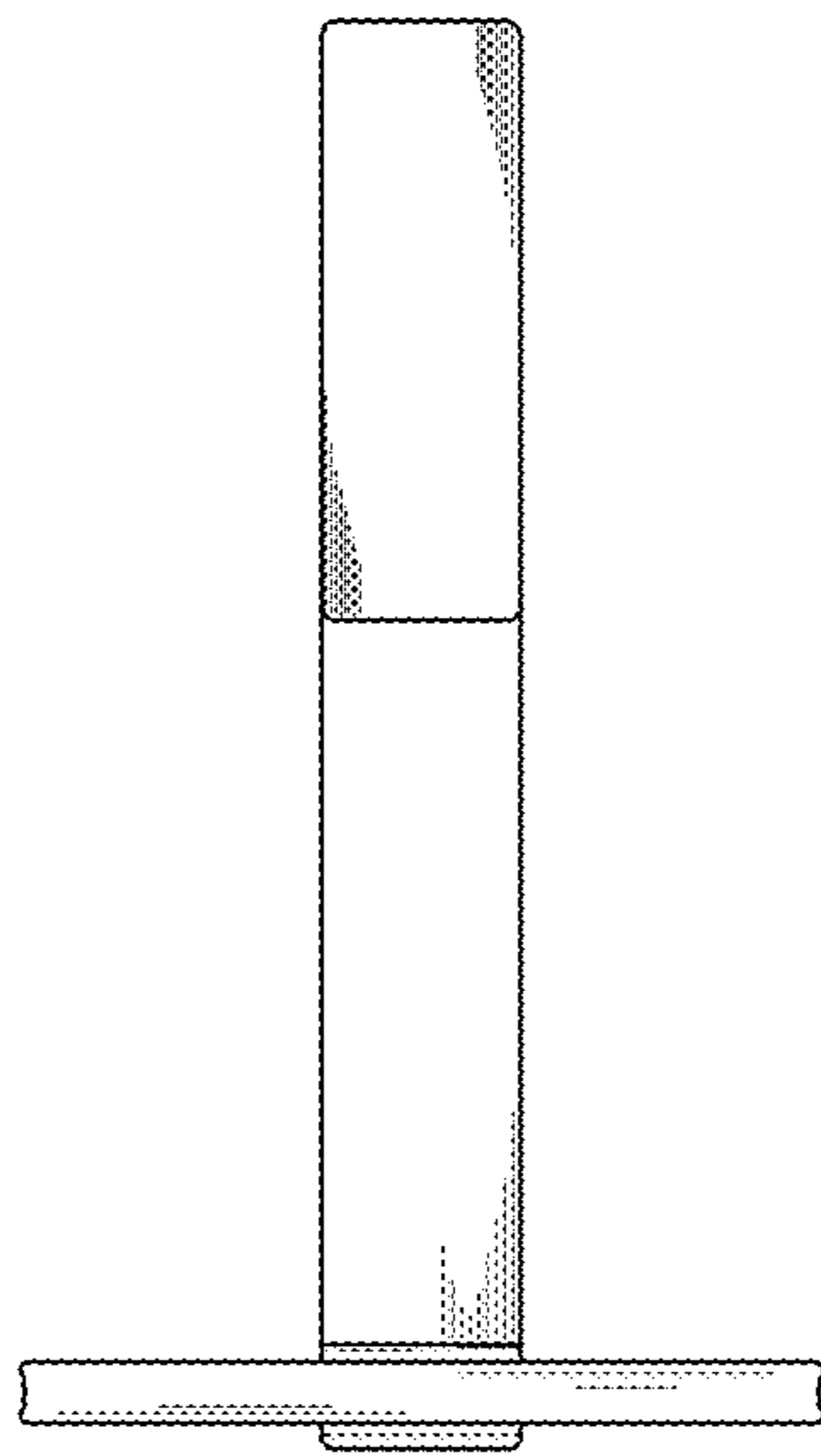


FIG. 3

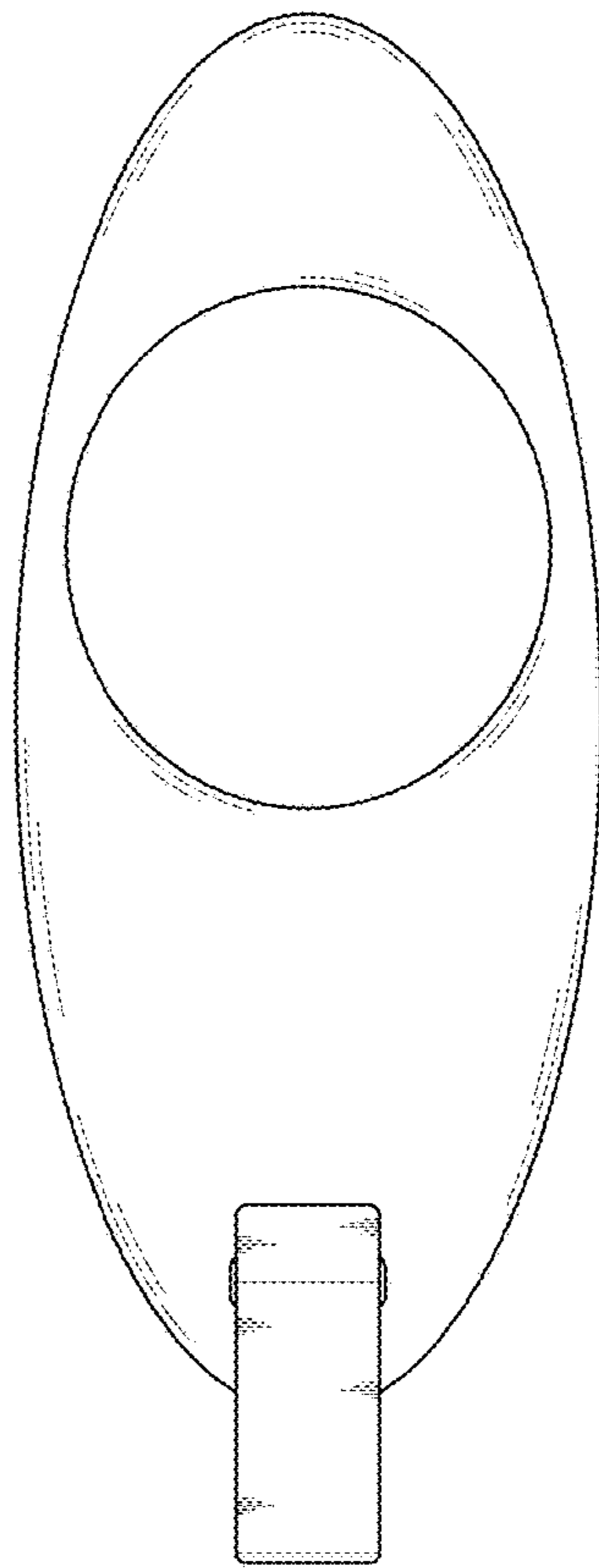


FIG. 4

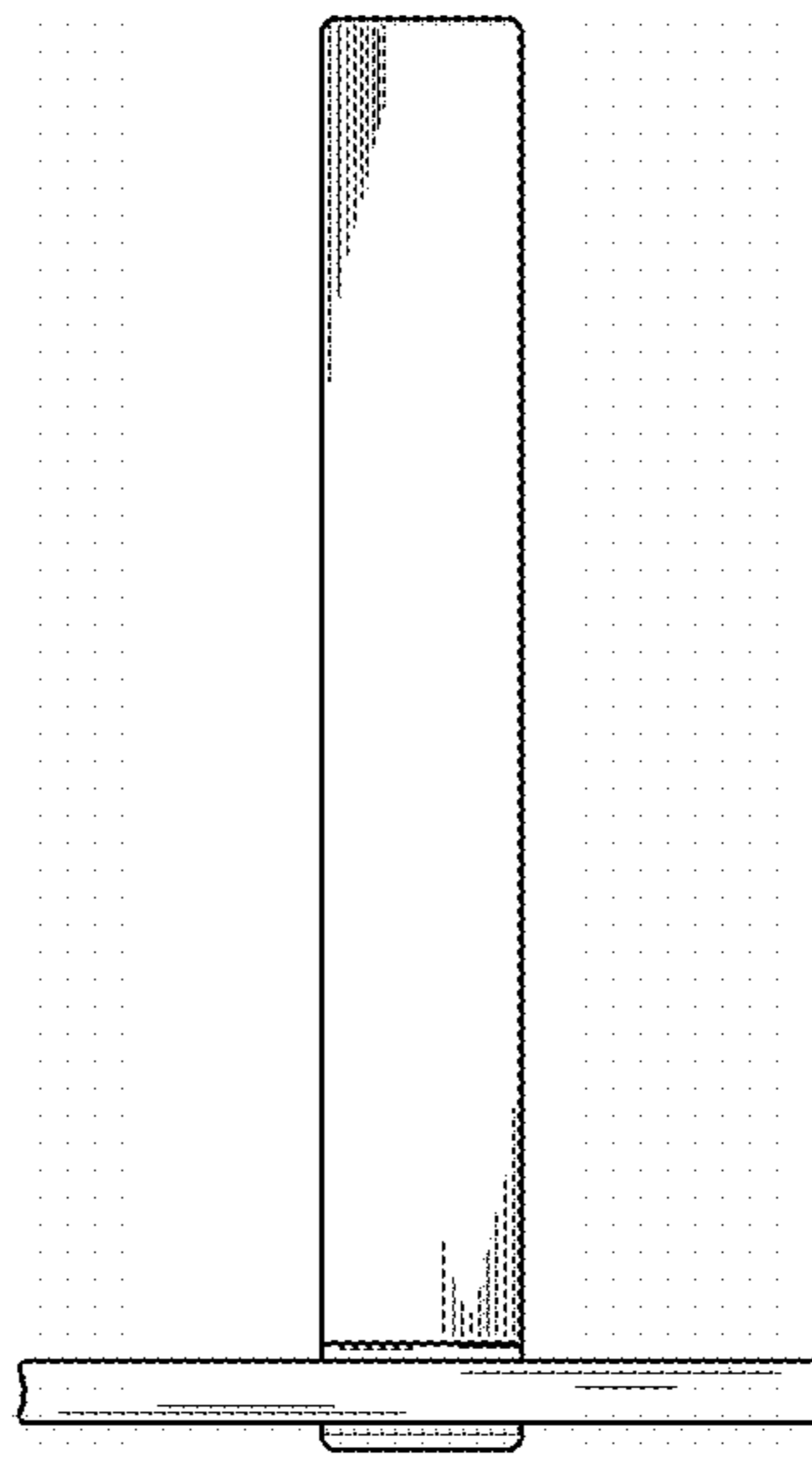


FIG. 5

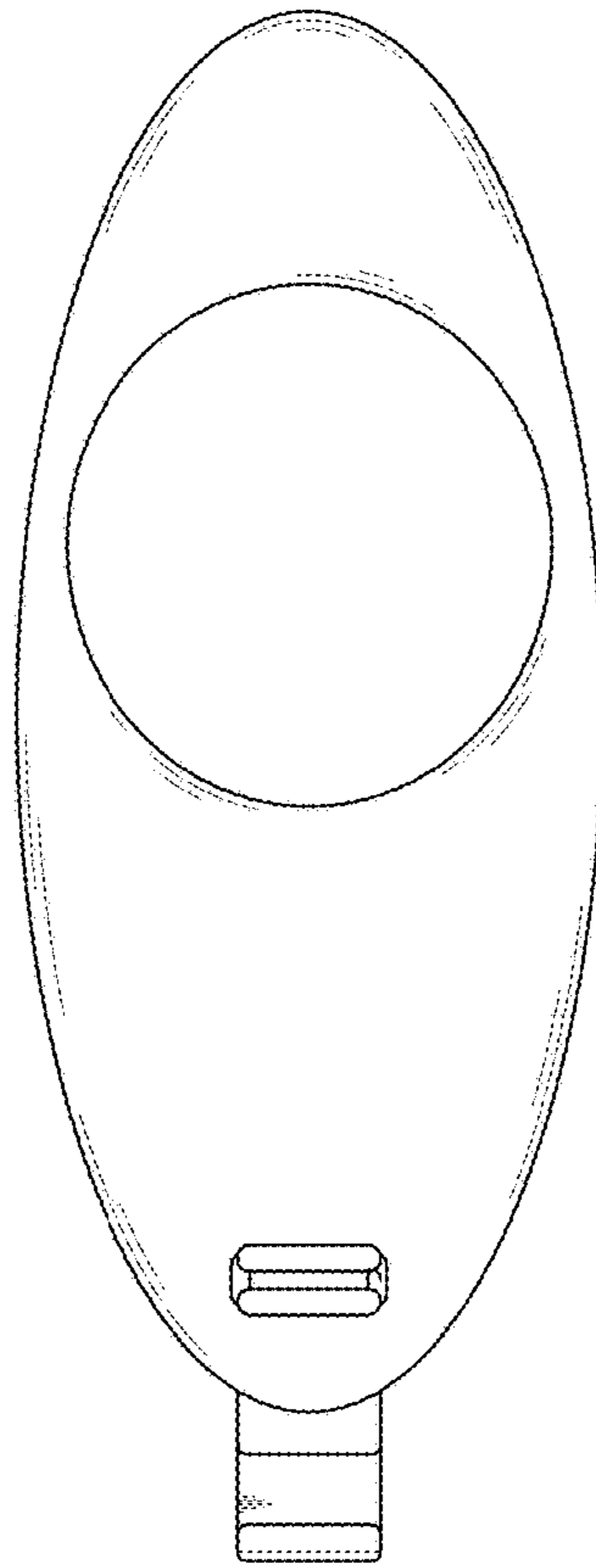


FIG. 6

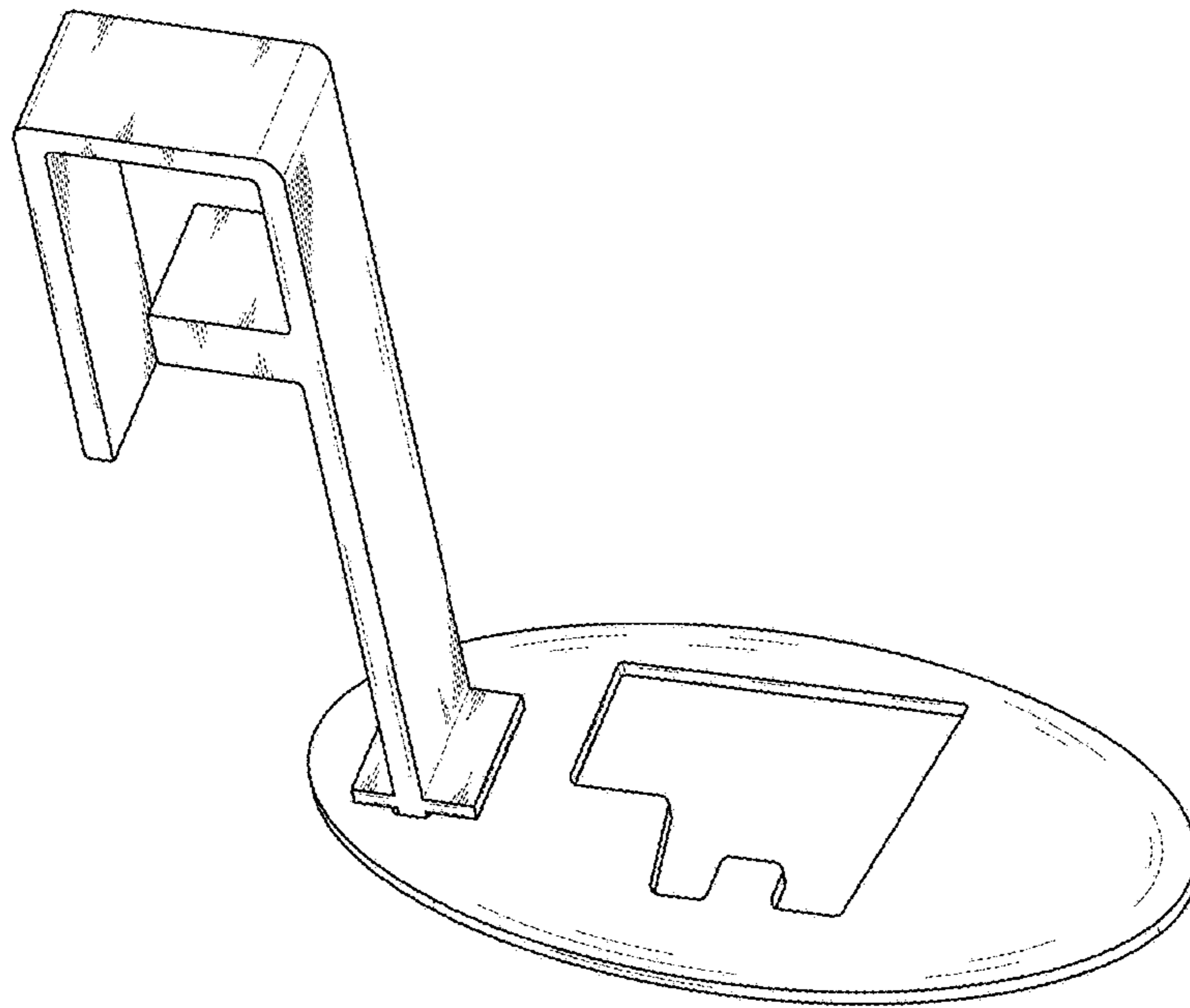


FIG. 7

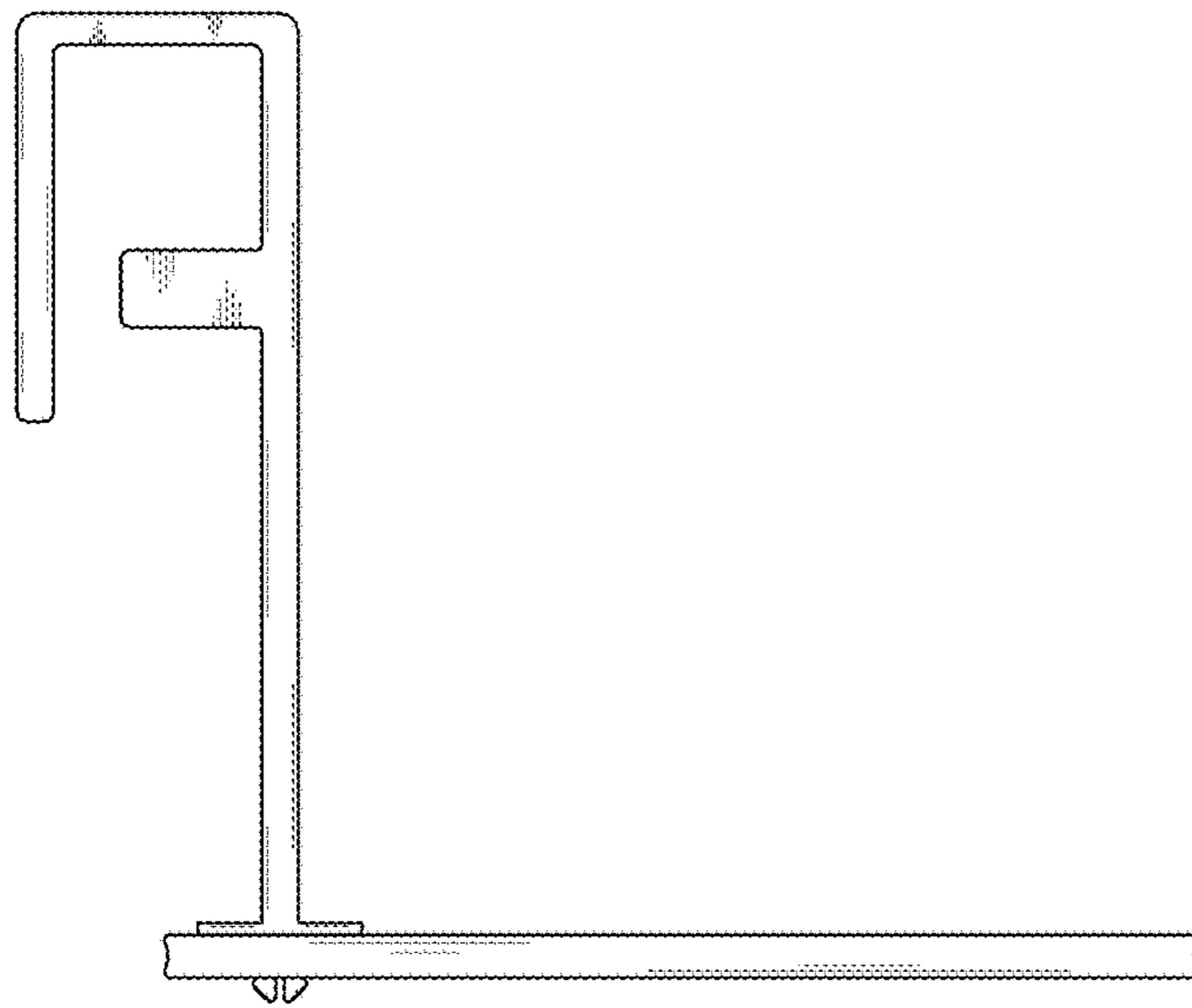


FIG. 8

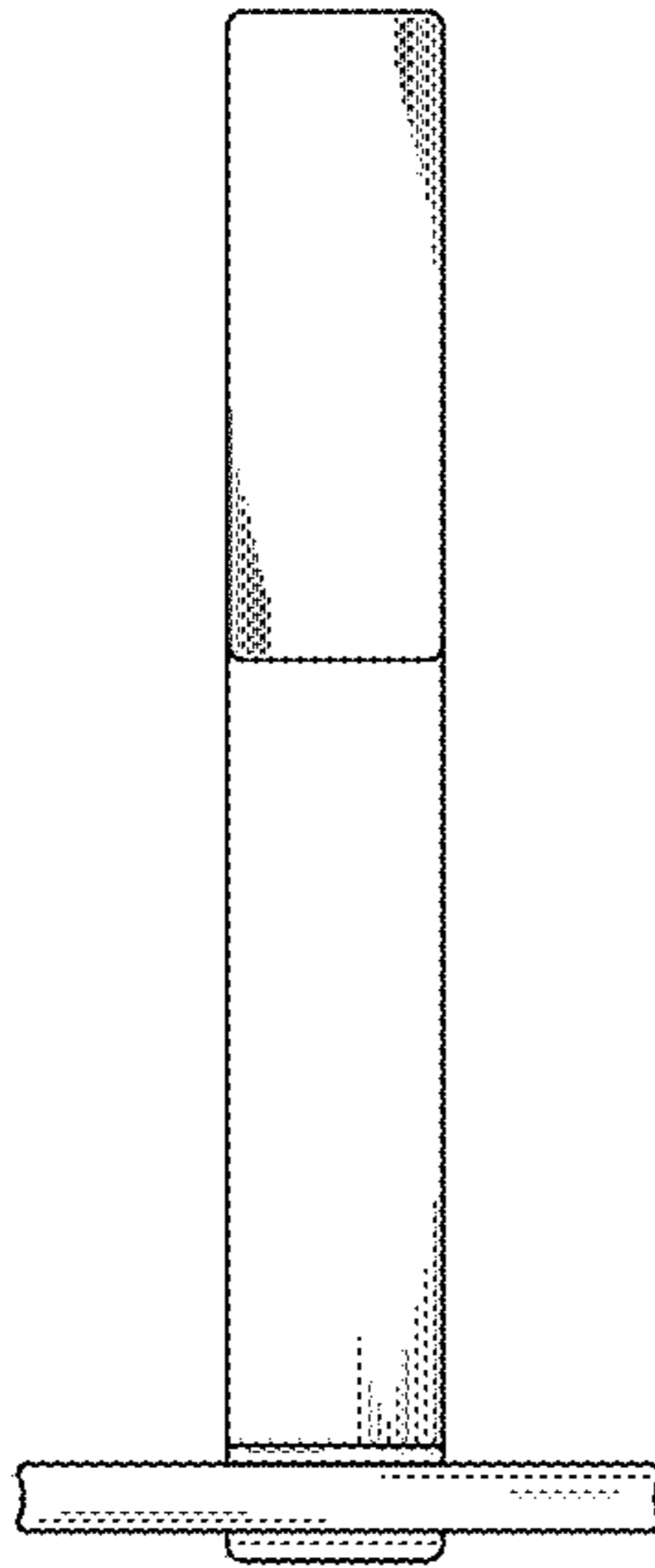


FIG. 9

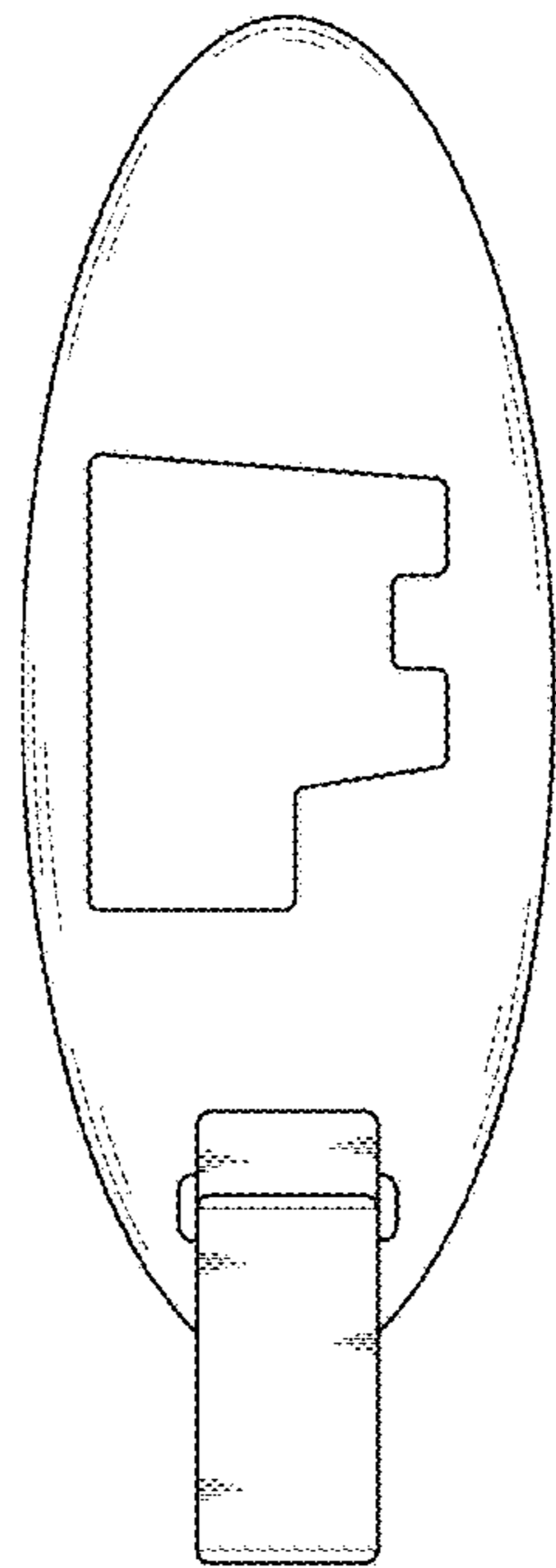


FIG. 10

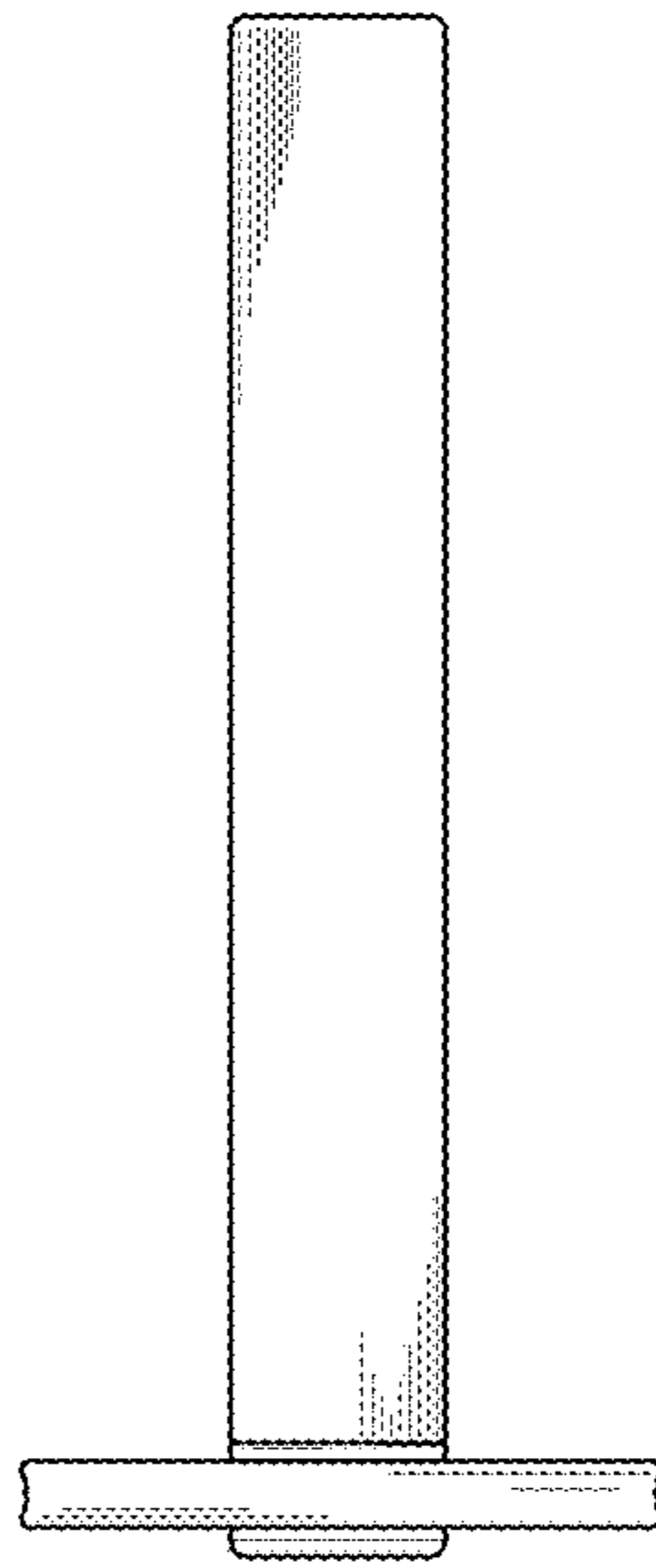


FIG. 11

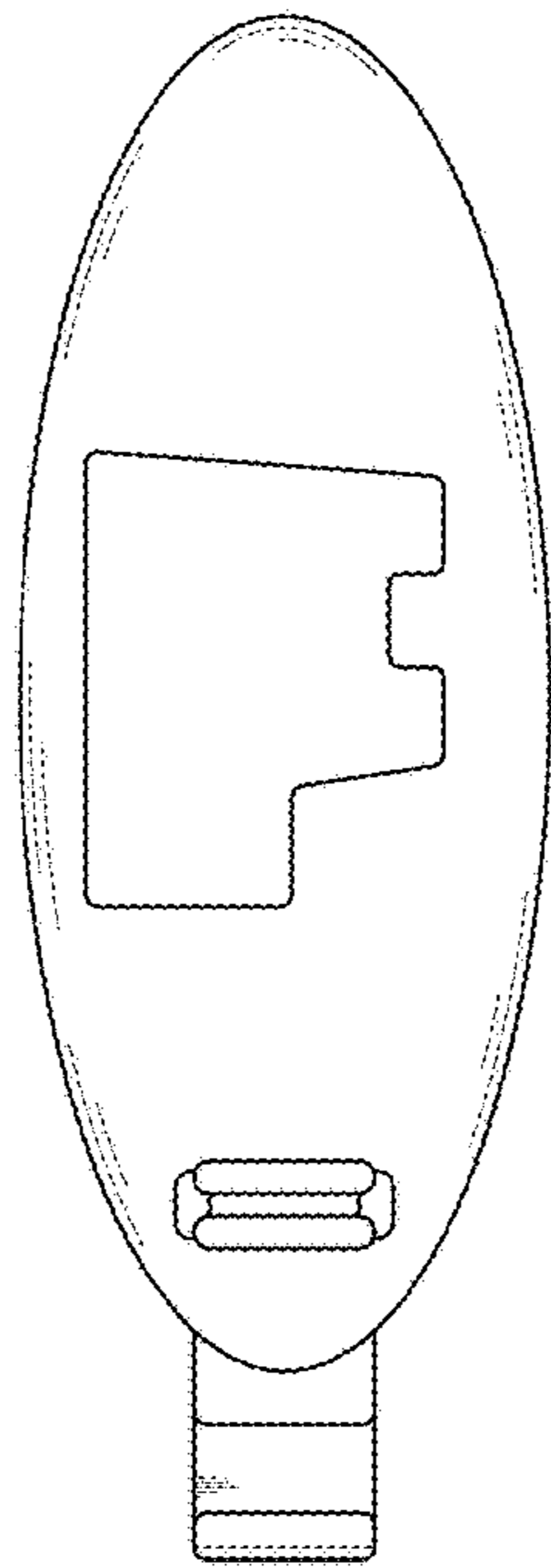


FIG. 12

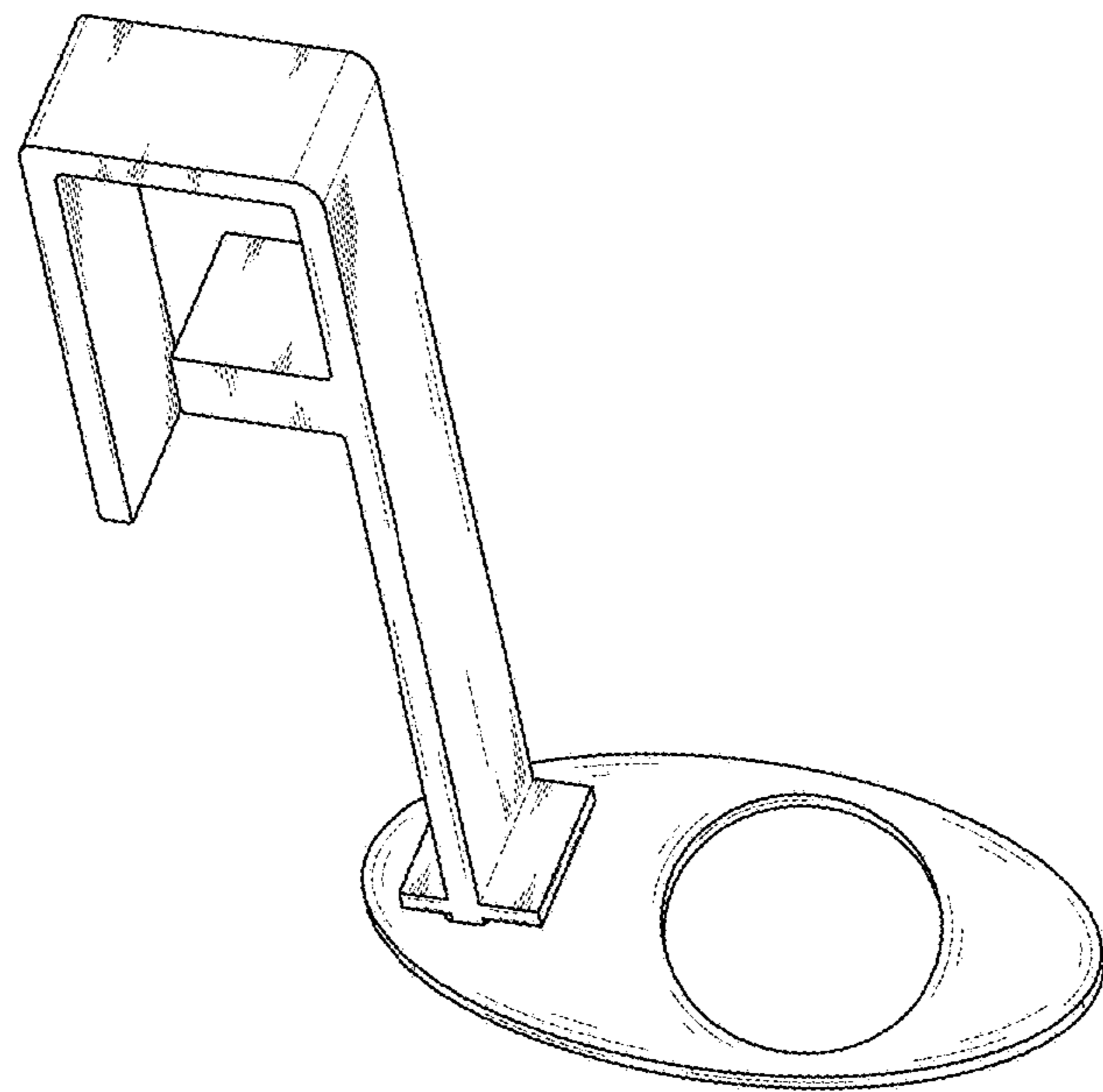


FIG. 13

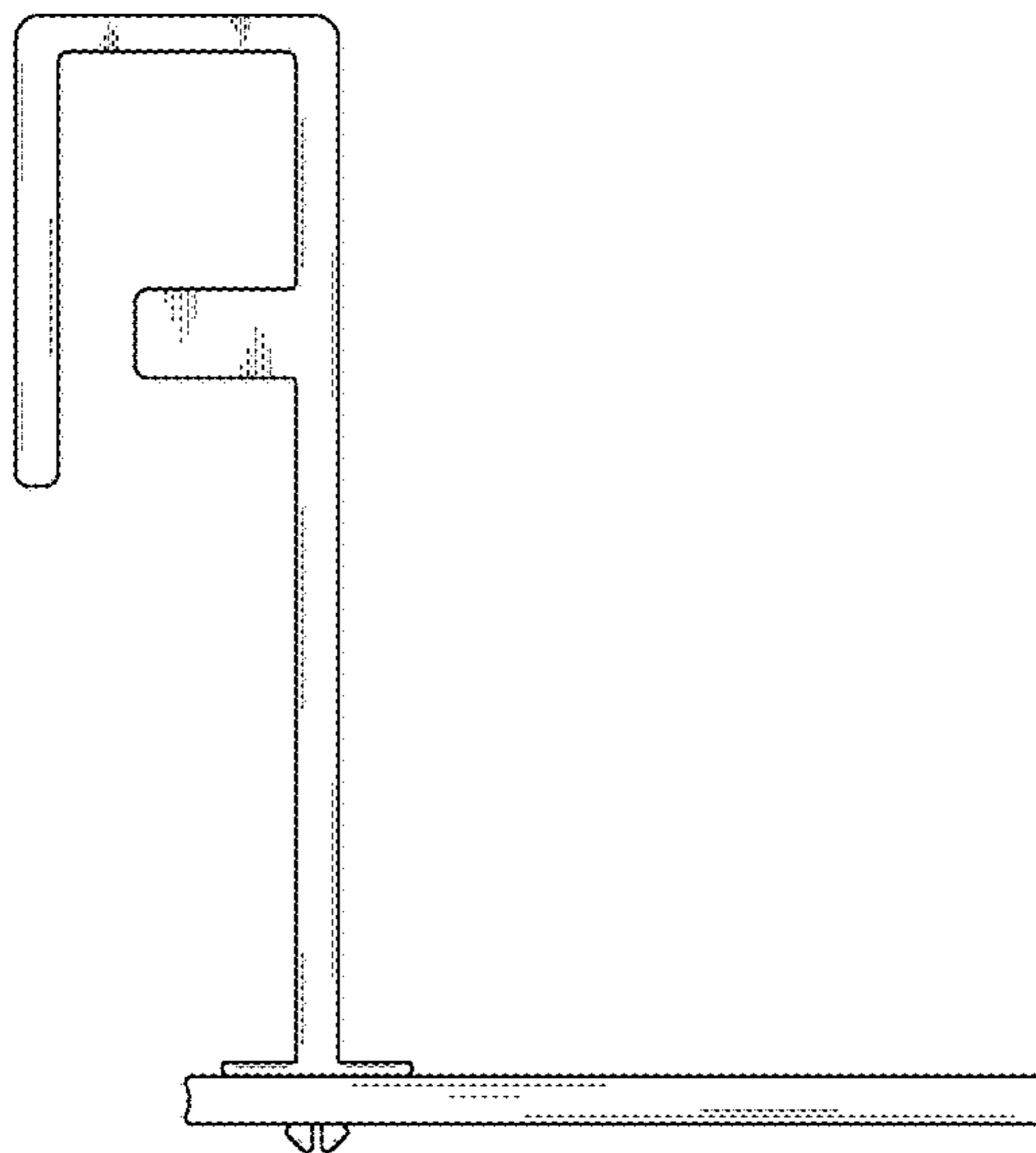


FIG. 14

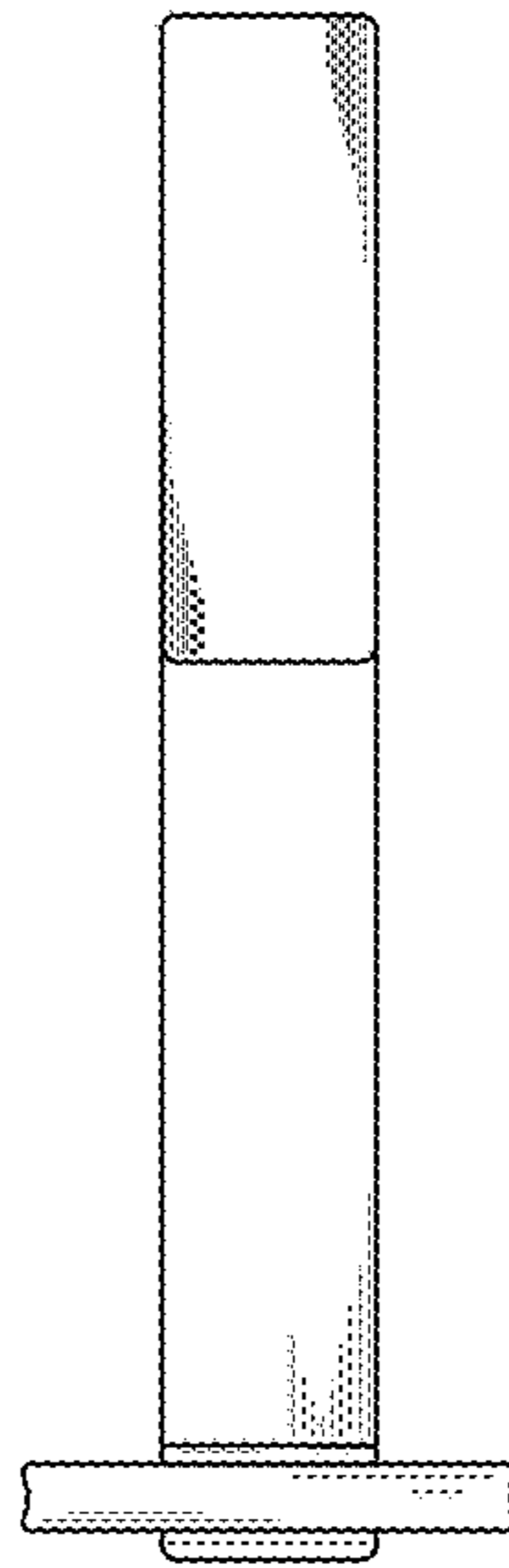


FIG. 15

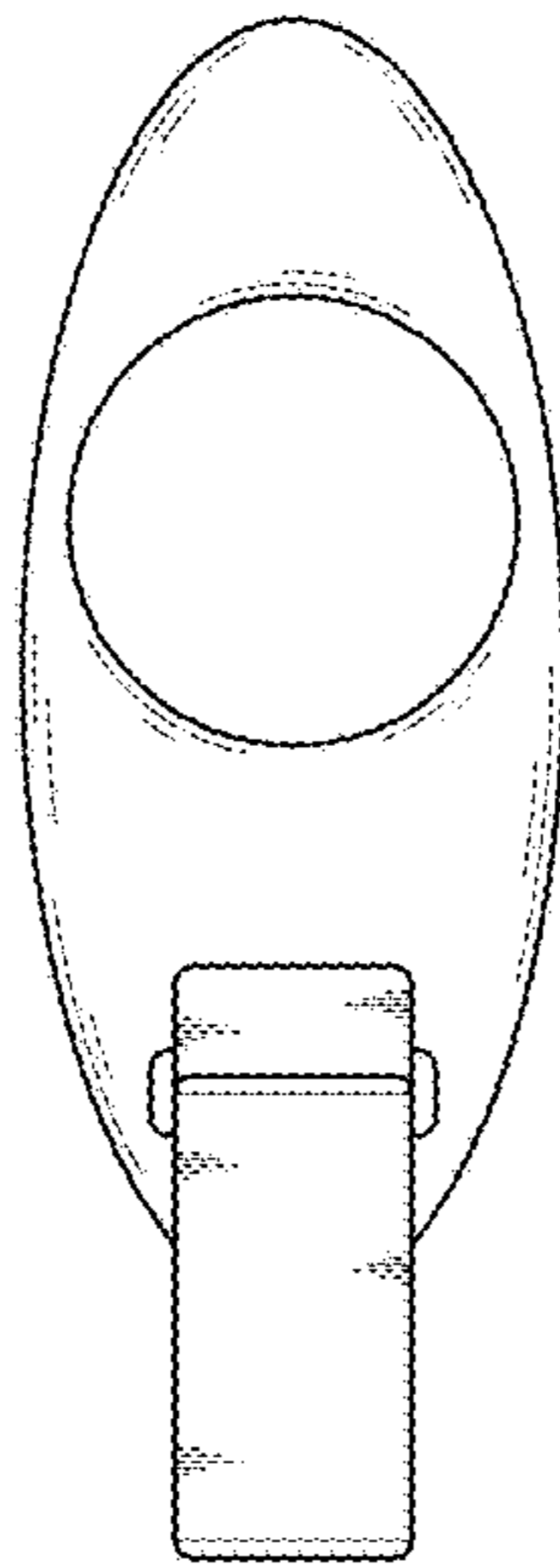


FIG. 16

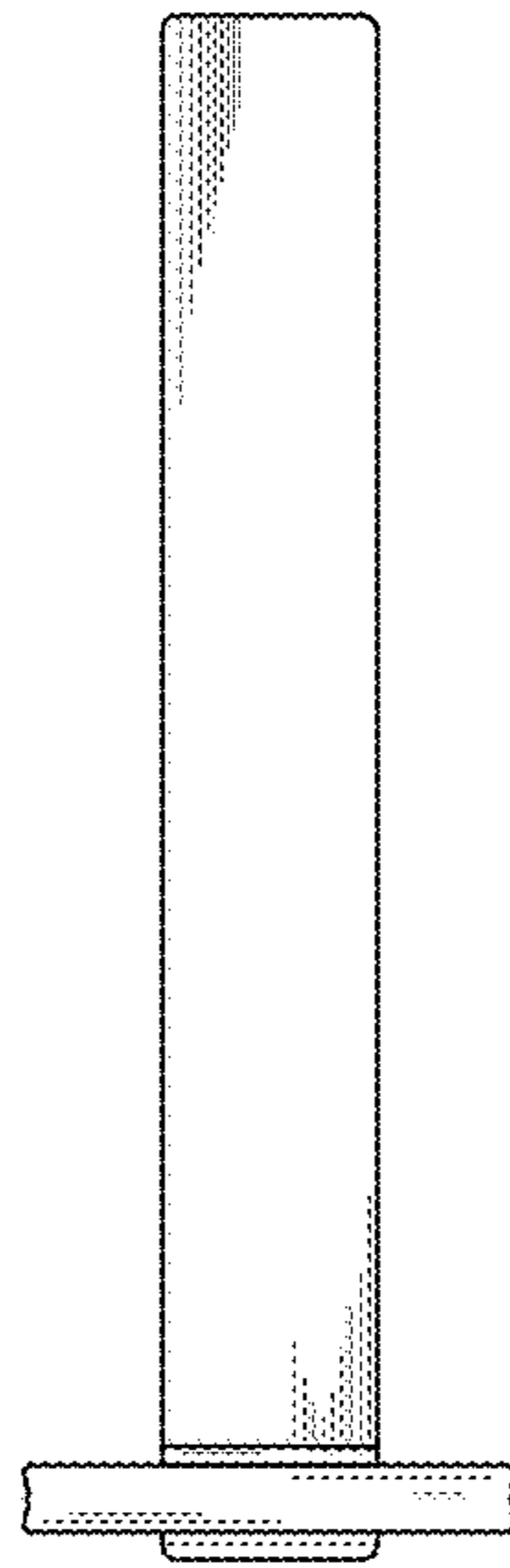


FIG. 17

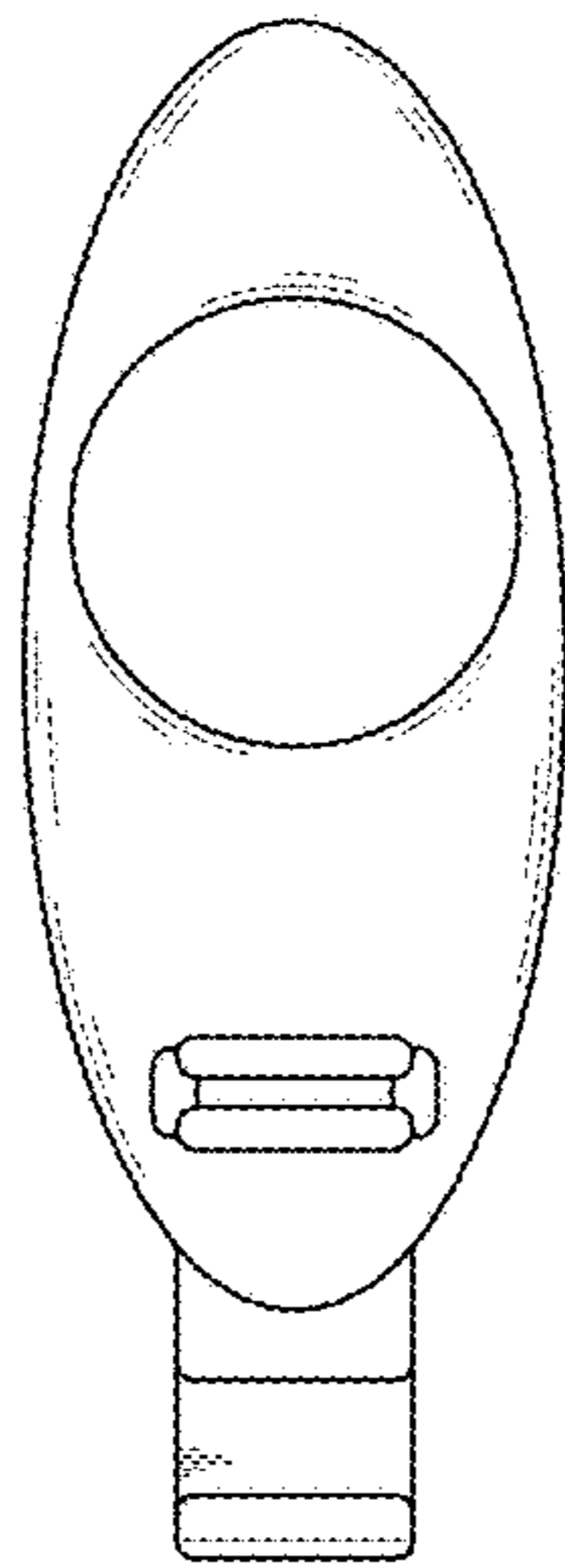


FIG. 18

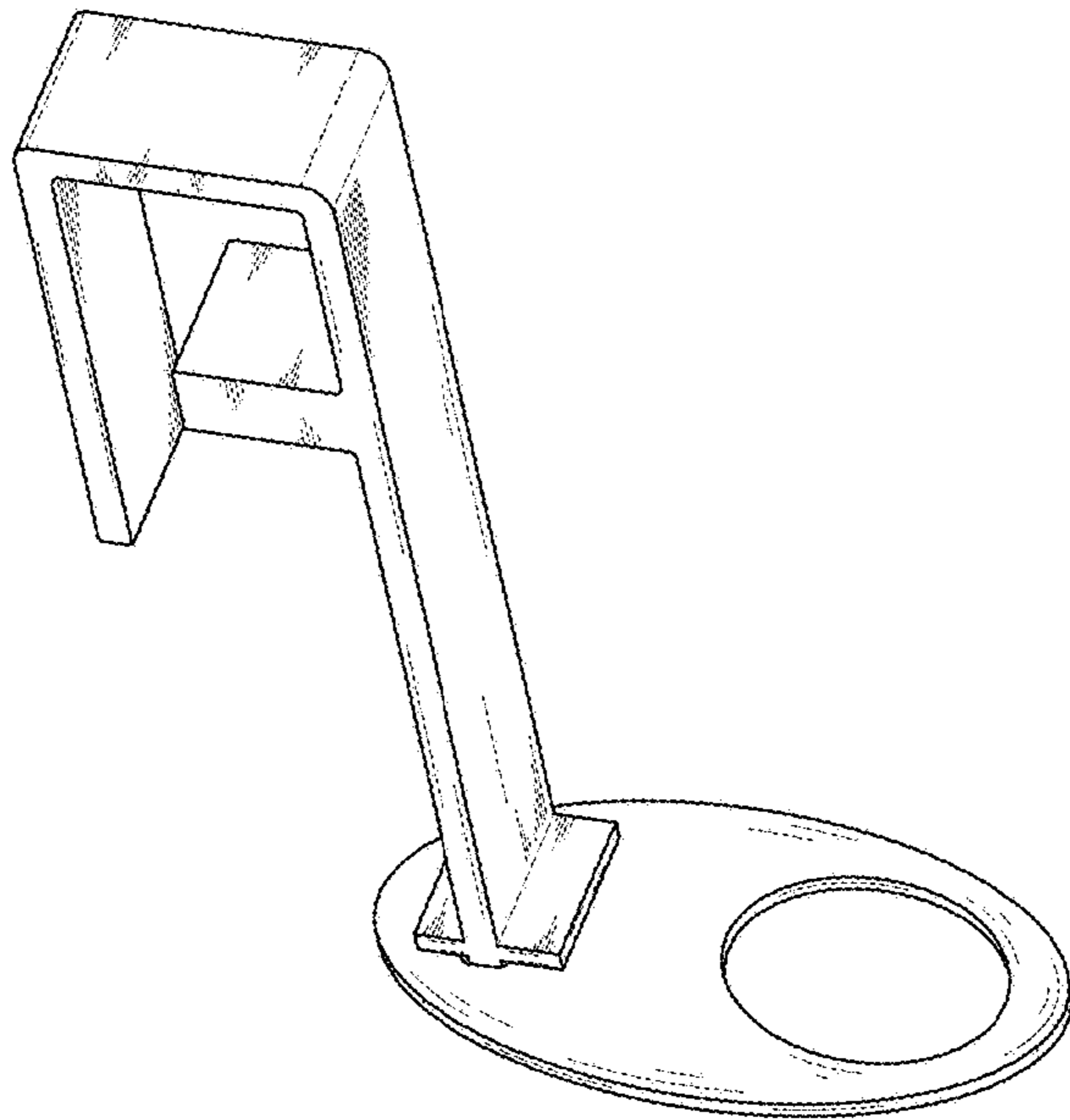


FIG. 19

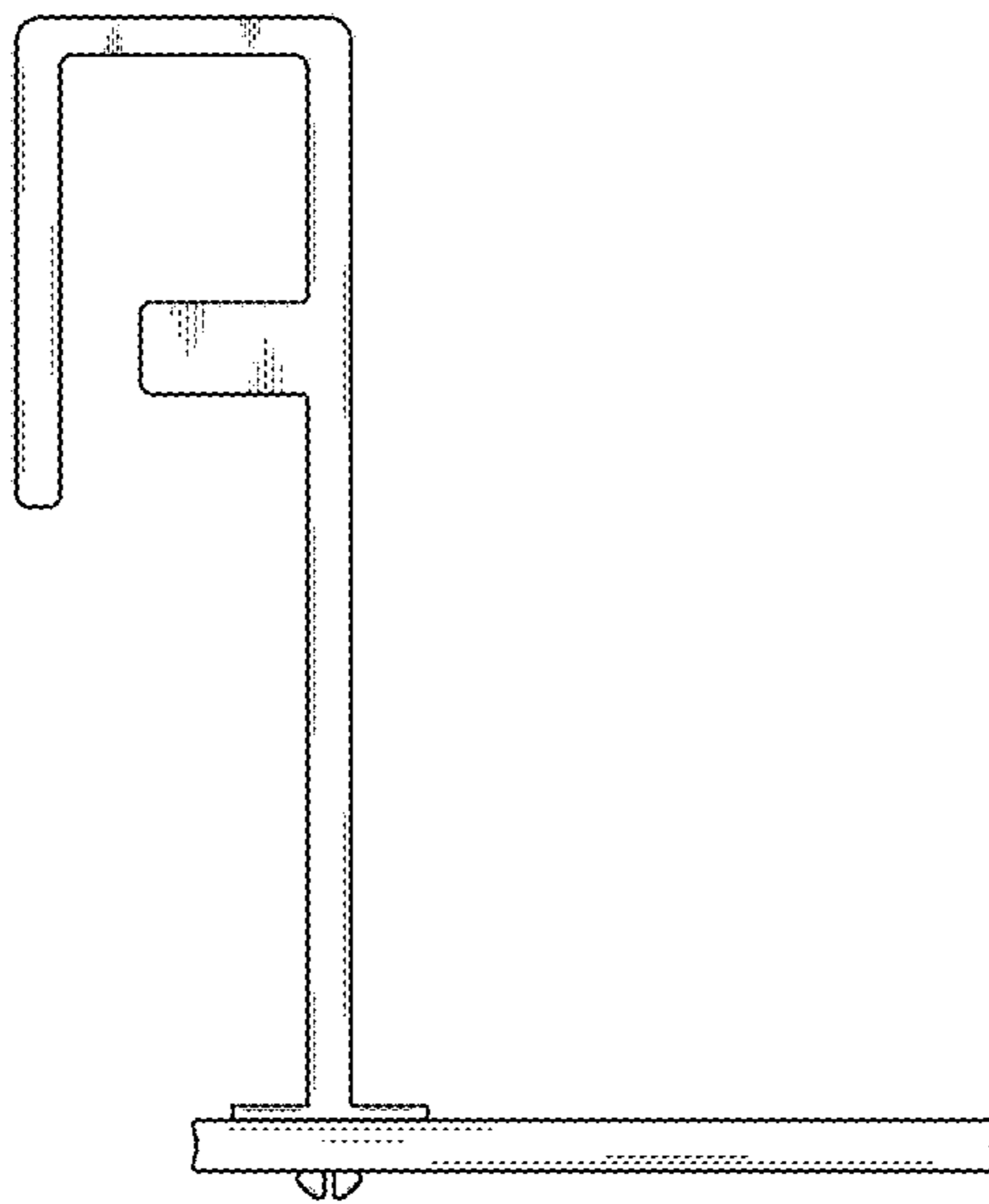


FIG. 20

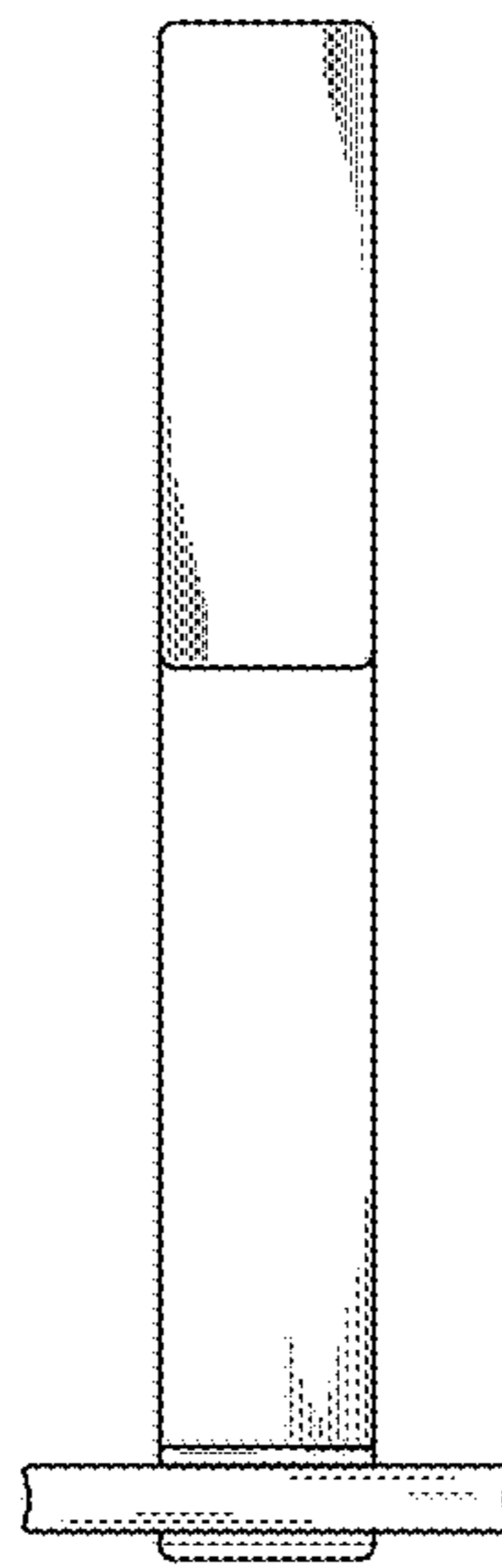


FIG. 21

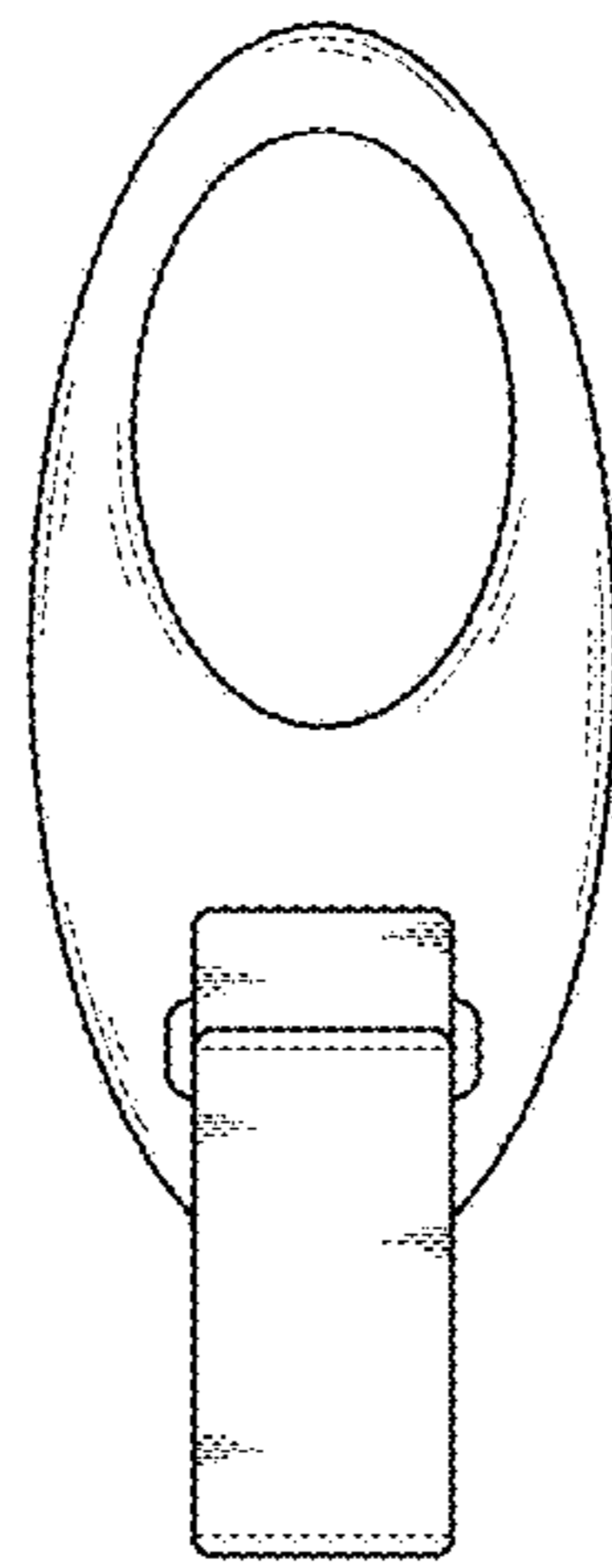


FIG. 22

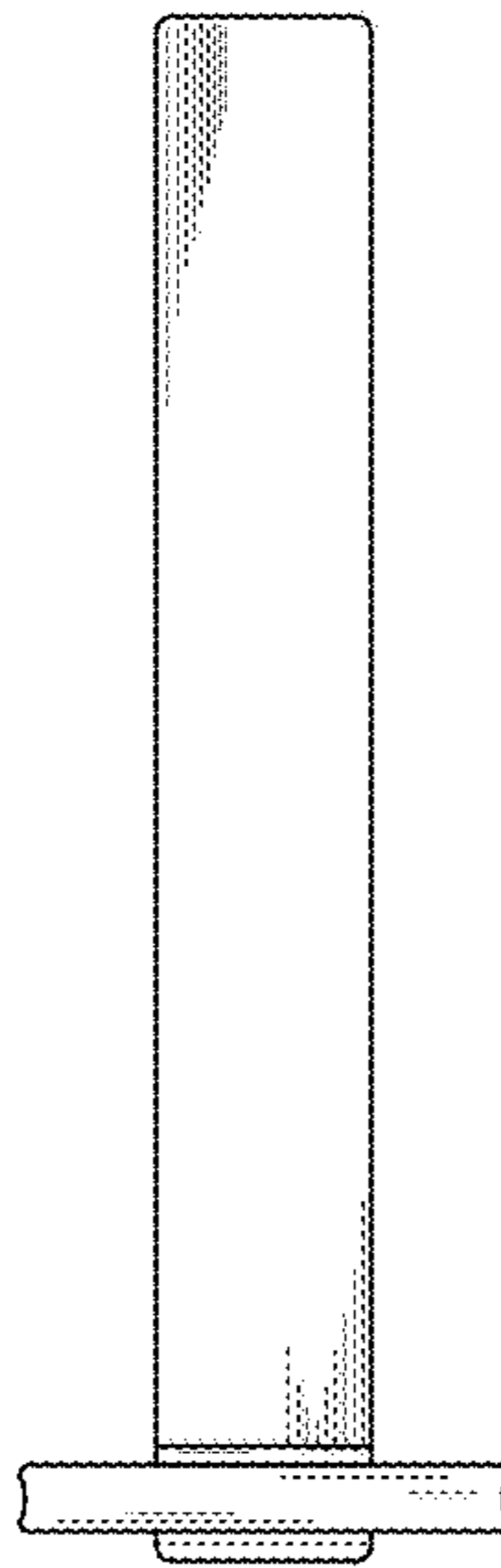


FIG. 23

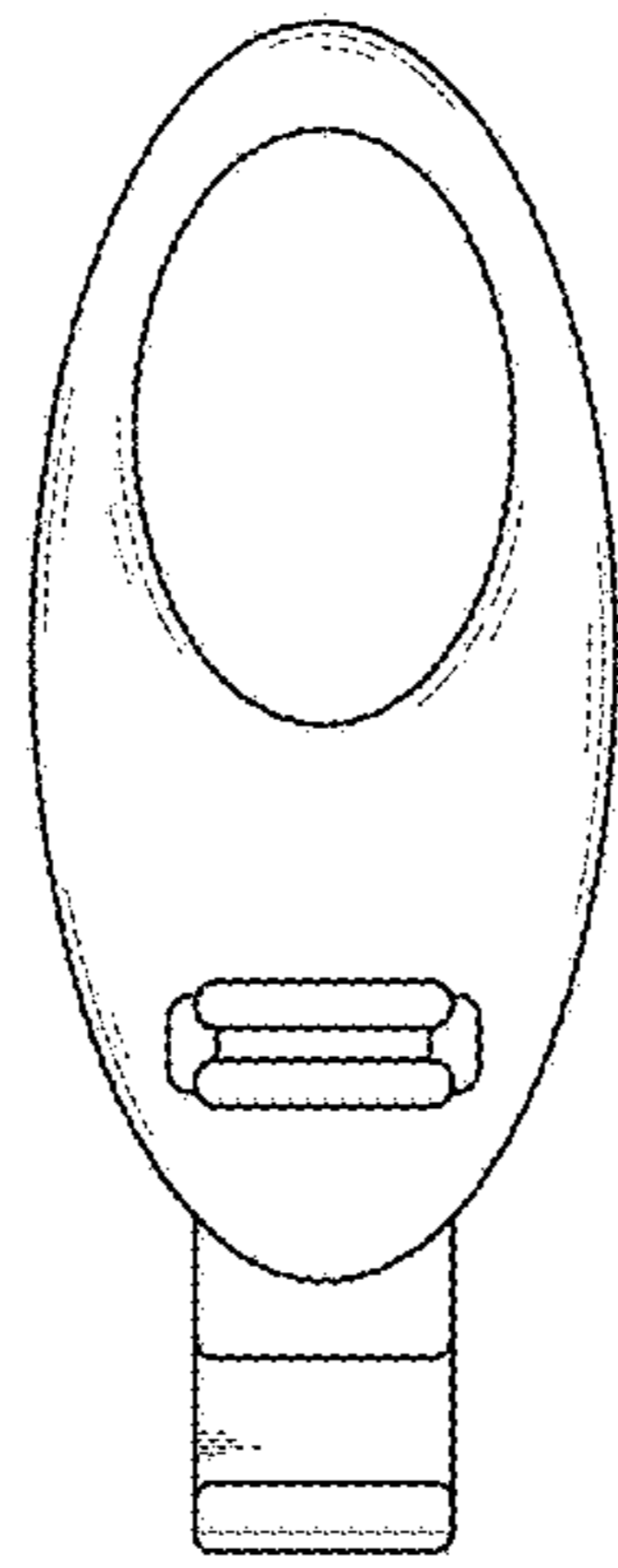


FIG. 24

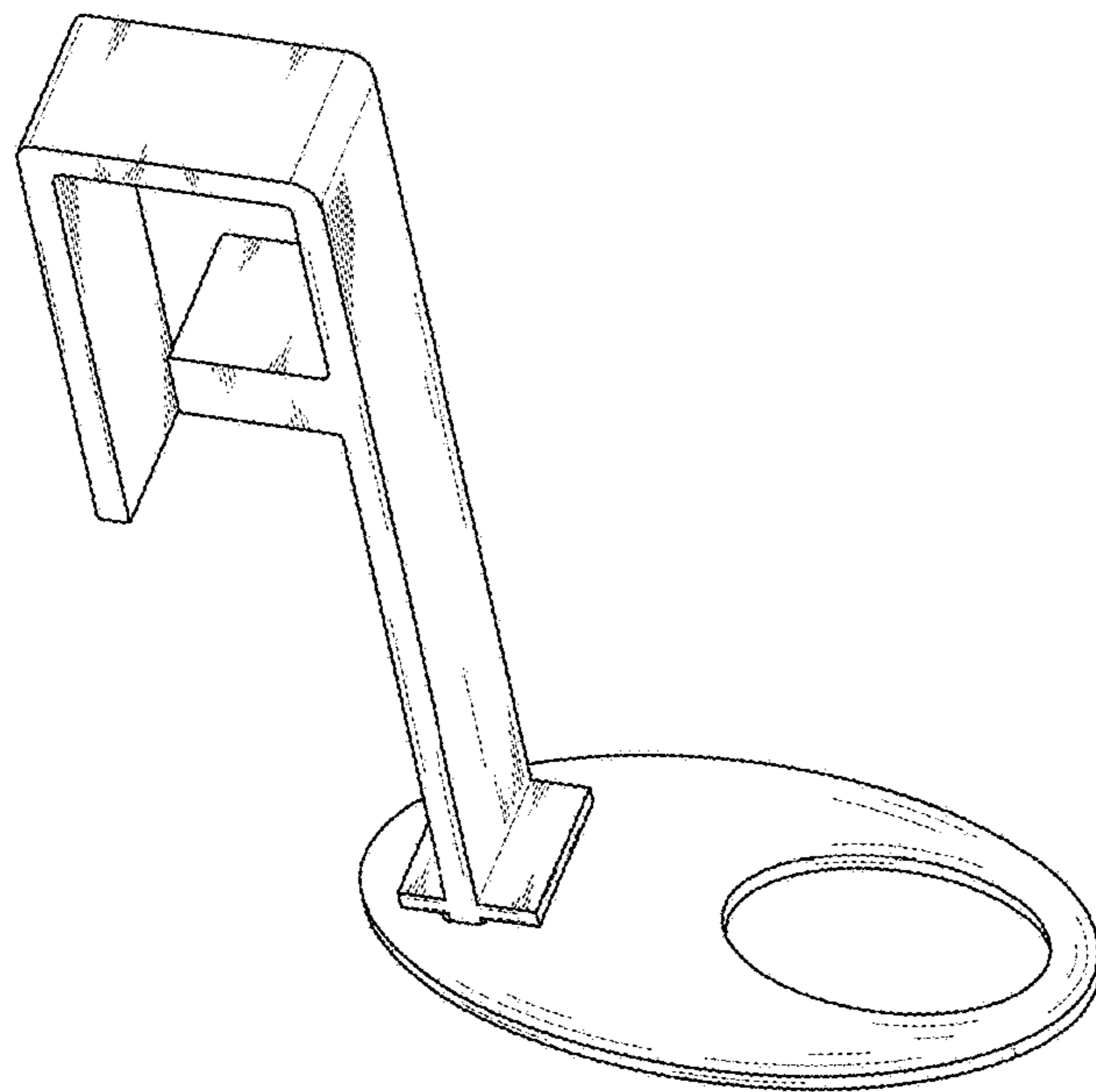


FIG. 25

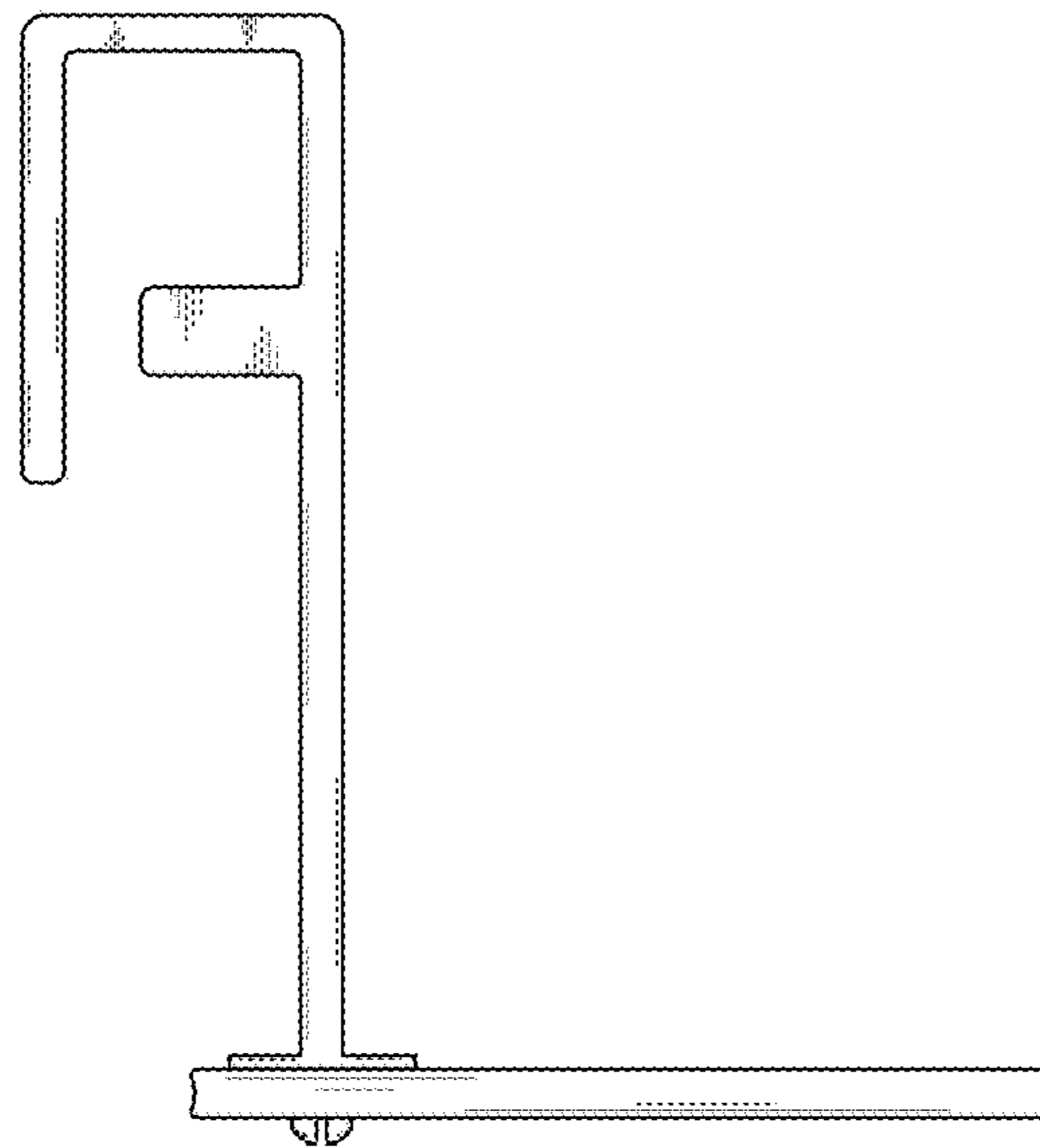


FIG. 26

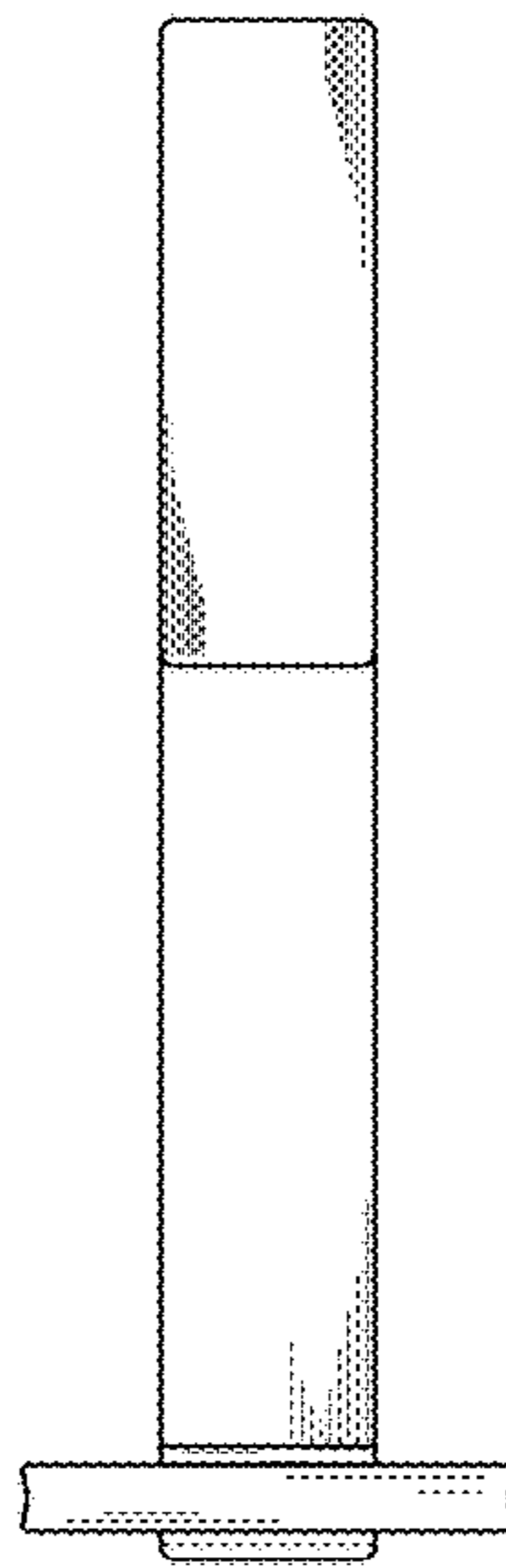


FIG. 27

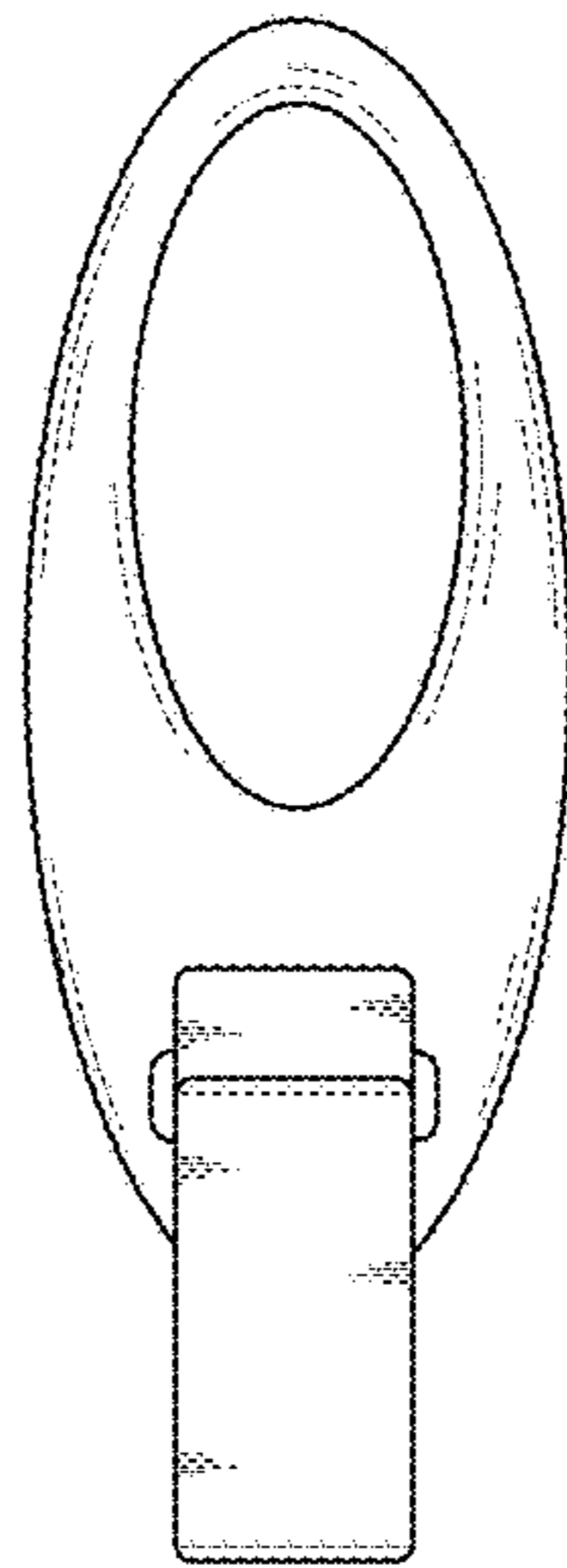


FIG. 28

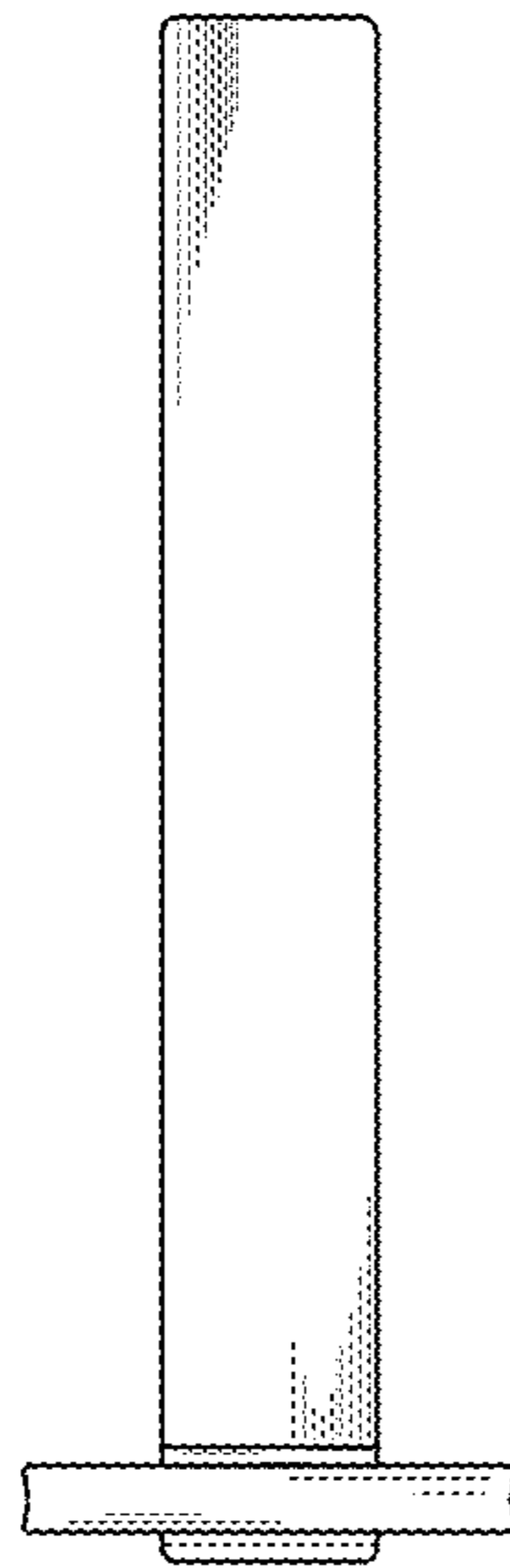


FIG. 29

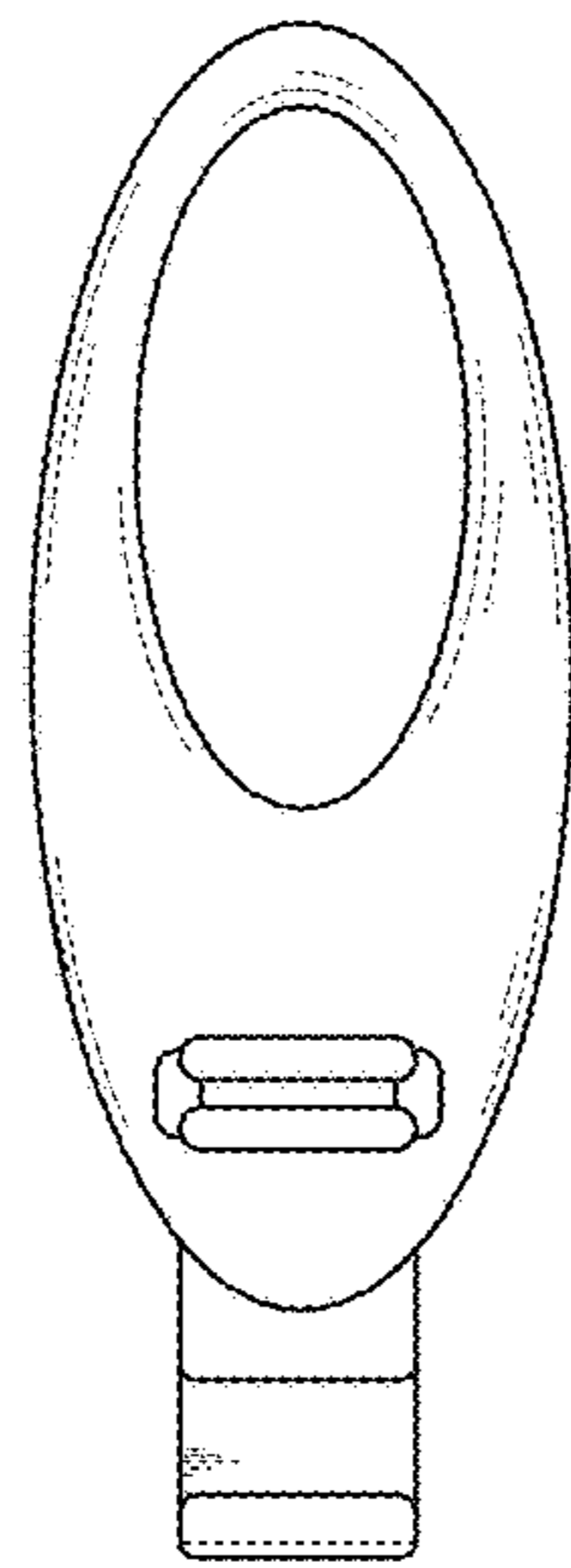


FIG. 30