



US00D849511S

(12) **United States Design Patent**  
**Knight**

(10) **Patent No.:** **US D849,511 S**

(45) **Date of Patent:** **\*\* May 28, 2019**

- (54) **LIGHT SWITCH COVER PLATE**
- (71) Applicant: **Darren C. Knight**, Pleasant Grove, UT (US)
- (72) Inventor: **Darren C. Knight**, Pleasant Grove, UT (US)
- (73) Assignee: **SnapRays LLC**, Vineyard, UT (US)
- (\*\*) Term: **15 Years**
- (21) Appl. No.: **29/608,299**
- (22) Filed: **Jun. 20, 2017**
- (51) **LOC (11) Cl.** ..... **11-05**
- (52) **U.S. Cl.**  
USPC ..... **D8/353**
- (58) **Field of Classification Search**  
USPC .... D8/16, 19, 350-353, 364, 366, 499, 380, D8/381; D13/125, 169, 170, 177, 103, D13/137.1-137.3, 138.2, 139.1, 139.3, D13/139.8  
CPC ..... H02G 3/14; H02G 3/081; H01R 31/06; H01R 13/447; H01R 13/717; H01H 9/16; H01H 9/18; H01H 23/04; H05B 37/0227; H05B 37/0218; H05B 33/0803  
See application file for complete search history.

4,617,613 A *	10/1986	Rice	.....	H01R 13/717	362/95
4,774,641 A *	9/1988	Rice	.....	F21S 8/035	174/66
5,473,517 A	12/1995	Blackman			
D366,339 S	1/1996	Waller			
5,485,356 A *	1/1996	Nguyen	.....	H01R 13/717	174/66
5,670,776 A	9/1997	Rothbaum			
5,683,166 A	11/1997	Lutzker			
D387,650 S *	12/1997	Lutzker	.....	D8/353	
6,000,807 A	12/1999	Moreland			
6,010,228 A	1/2000	Blackman			
6,087,588 A *	7/2000	Soules	.....	H01H 9/185	174/66
D429,829 S	8/2000	Doran			
6,423,900 B1 *	7/2002	Soules	.....	H01H 9/185	174/66
D464,865 S	10/2002	Luu			
6,547,411 B1	4/2003	Dornbusch			
6,867,370 B2	3/2005	Compagnone, Jr.			
7,247,793 B2	7/2007	Hinkson et al.			

(Continued)

*Primary Examiner* — Mark A Goodwin

(57) **CLAIM**

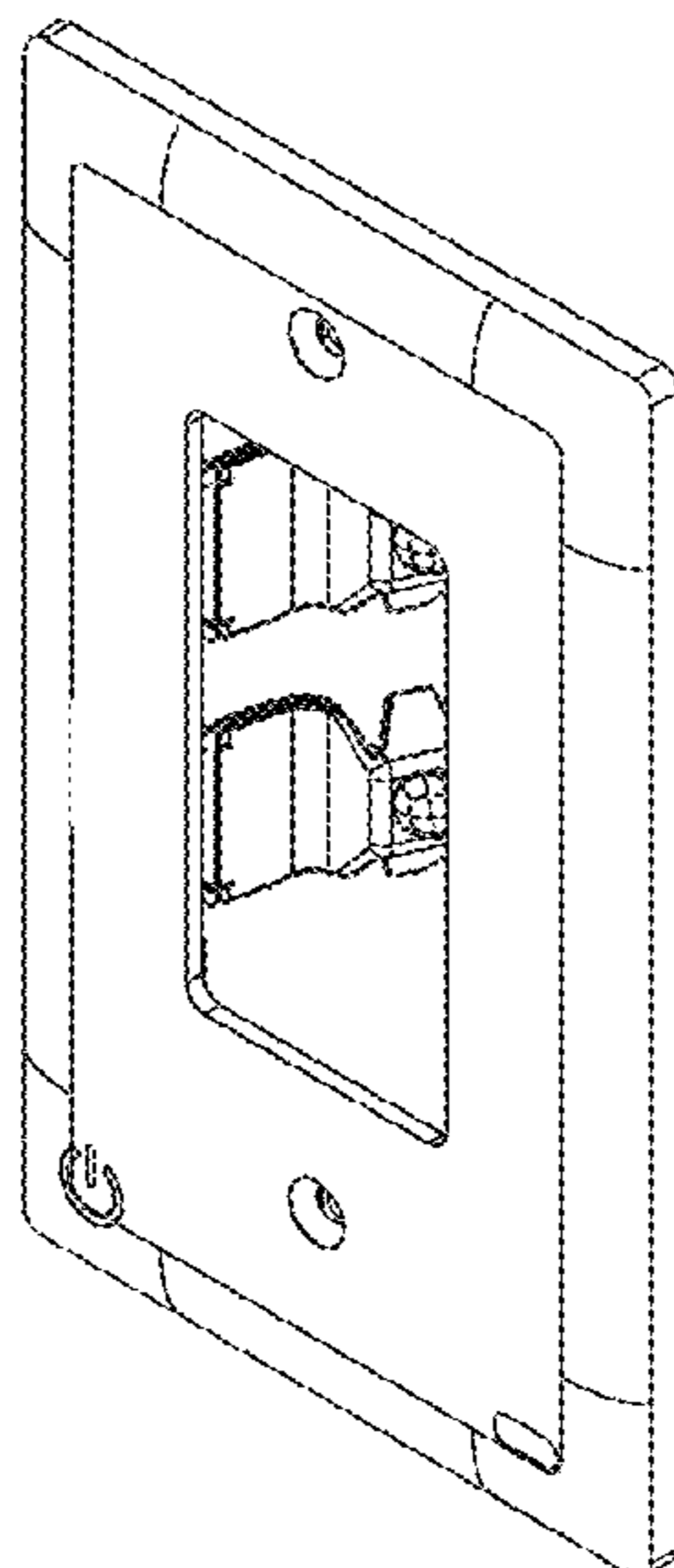
The ornamental design for a light switch cover plate, as shown and described.

**DESCRIPTION**

FIG. 1 is a front perspective view of a light switch cover plate in accordance with my new design;  
 FIG. 2 is another front perspective view thereof;  
 FIG. 3 is a front elevation view thereof;  
 FIG. 4 is a top view thereof;  
 FIG. 5 is a first side elevation view thereof;  
 FIG. 6 is a second, opposite side elevation view thereof;  
 FIG. 7 is a bottom view thereof; and,  
 FIG. 8 is back elevation view thereof.  
 The broken lines represent unclaimed subject matter and form no part of the claimed design.

**1 Claim, 4 Drawing Sheets**

- (56) **References Cited**  
U.S. PATENT DOCUMENTS
- 2,015,698 A 10/1935 Tiffany
- 2,145,447 A \* 1/1939 Klingon ..... H01R 13/631  
174/66
- 2,428,167 A 9/1947 Linton
- 2,580,056 A 12/1951 Wheeler
- 3,307,030 A 2/1967 Francisco
- 3,522,595 A 8/1970 White
- 4,282,591 A 8/1981 Andreuccetti
- 4,611,264 A 9/1986 Bradley



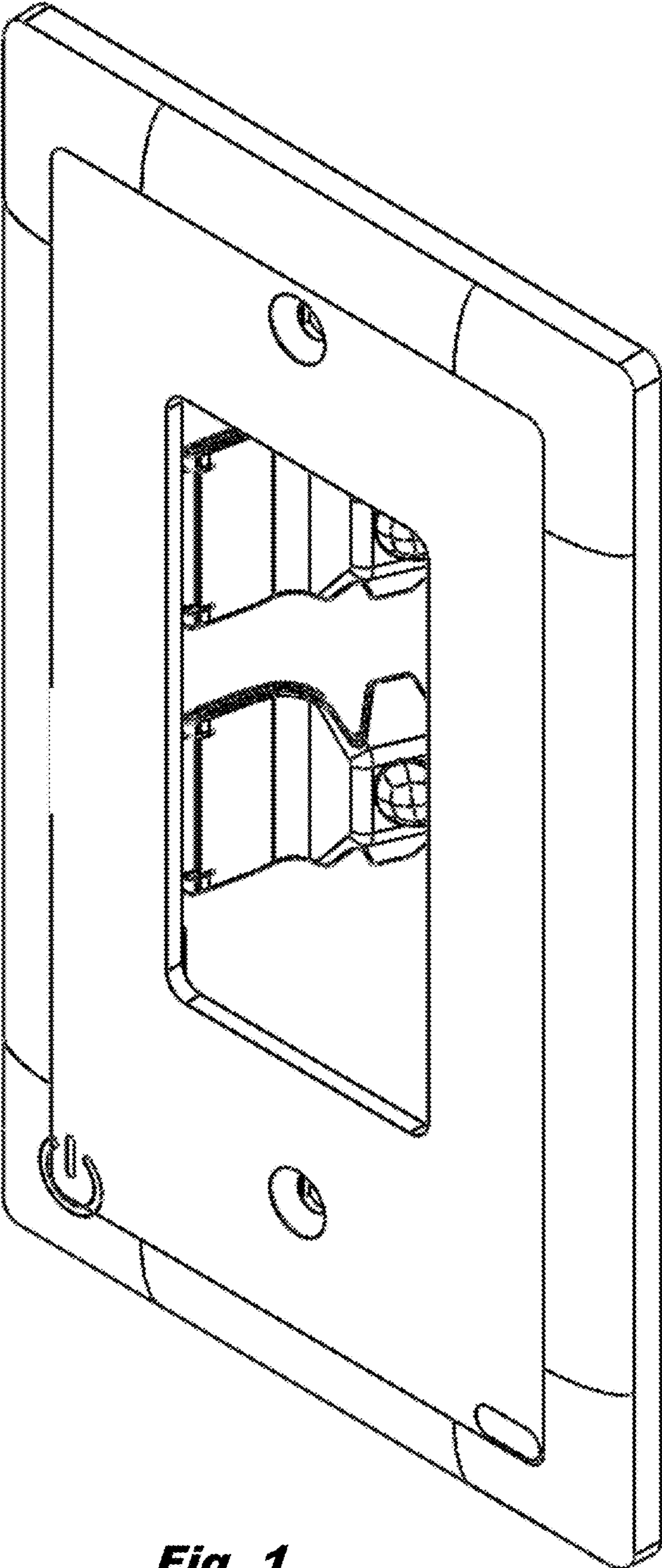
(56)

References Cited

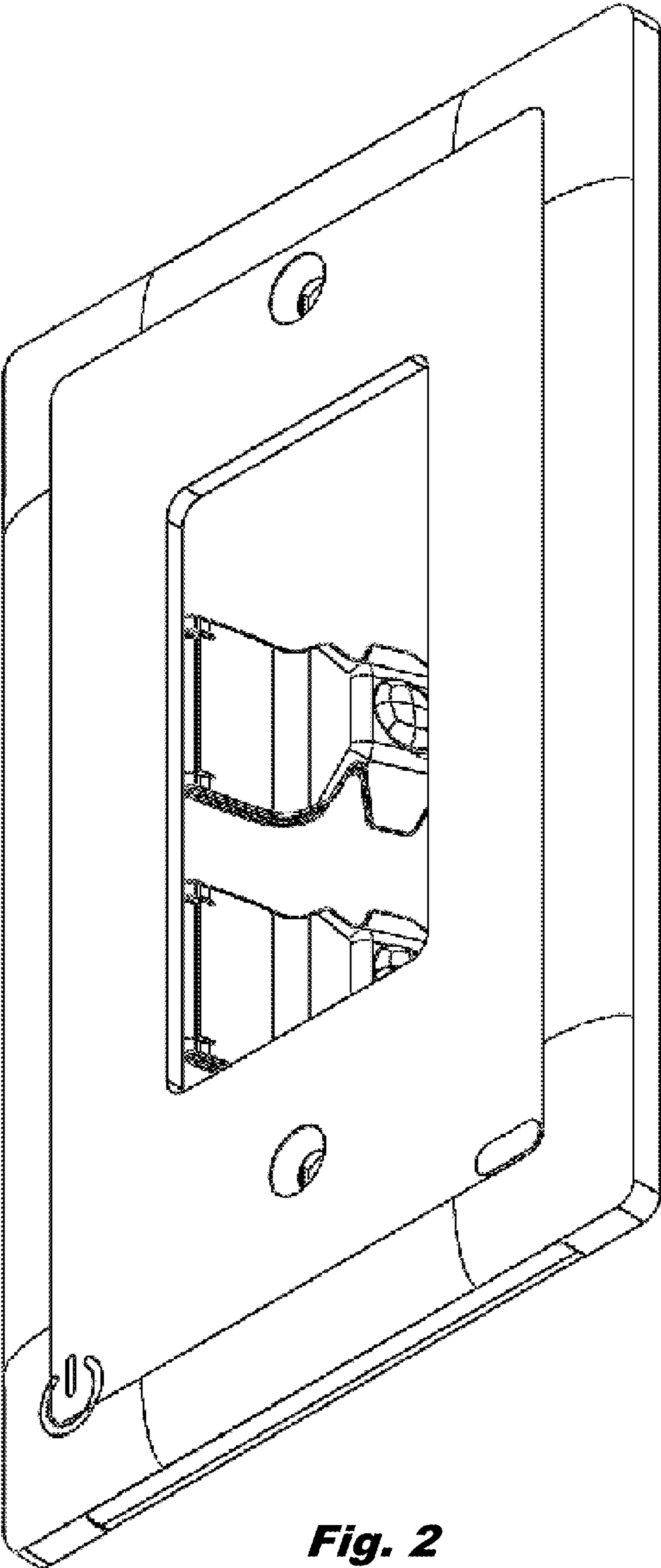
U.S. PATENT DOCUMENTS

7,318,653 B2 *	1/2008	Chien	.....	F21S 8/035	9,882,361 B2 *	1/2018	Smith	.....	H02G 3/081
				362/95	D809,899 S *	2/2018	Knight	.....	D8/353
D576,866 S *	9/2008	Kidman	.....	D8/353	D821,179 S *	6/2018	Exley	.....	D8/353
7,506,990 B2	3/2009	Glazner			D821,180 S *	6/2018	Exley	.....	D8/353
7,547,131 B2	6/2009	Faunce			9,997,860 B1 *	6/2018	Hernandez, Jr.	.....	H01R 13/24
7,850,322 B2 *	12/2010	Glazner	.....	H05B 33/0803	2001/0046130 A1	11/2001	Cunningham et al.		
				362/95	2003/0124022 A1 *	7/2003	Georges	.....	A61L 9/03
D642,894 S *	8/2011	Soper	.....	D8/353					422/5
8,003,886 B1	8/2011	Rintz			2006/0072302 A1 *	4/2006	Chien	.....	F21S 8/035
D650,112 S	12/2011	Bryant							362/84
8,511,866 B1 *	8/2013	Mendez	.....	F21S 9/022	2006/0170380 A1 *	8/2006	Evans	.....	F21S 8/035
				362/362					315/312
8,668,347 B2 *	3/2014	Ebeling	.....	H01R 13/5213	2009/0284385 A1 *	11/2009	Tang	.....	H02G 3/12
				174/66					340/638
D719,699 S	12/2014	Bryant			2012/0008307 A1	1/2012	Delany		
8,912,442 B2 *	12/2014	Smith	.....	H02G 3/14	2012/0068612 A1 *	3/2012	Ebeling	.....	H01R 13/5213
D721,336 S *	1/2015	Tonnesen	.....	D13/156					315/159
9,035,180 B2 *	5/2015	Smith	.....	H02G 3/14	2013/0221868 A1	8/2013	Diotte		
9,482,426 B2 *	11/2016	Diotte	.....	F21V 33/006	2014/0246218 A1 *	9/2014	Shotey	.....	H02G 3/14
D804,287 S *	12/2017	Baldwin	.....	D8/350					174/66
D804,429 S *	12/2017	Baldwin	.....	D13/156	2015/0229079 A1 *	8/2015	Smith	.....	H05K 5/03
									323/318
					2017/0018890 A1 *	1/2017	St. Laurent	.....	H01R 25/006

\* cited by examiner

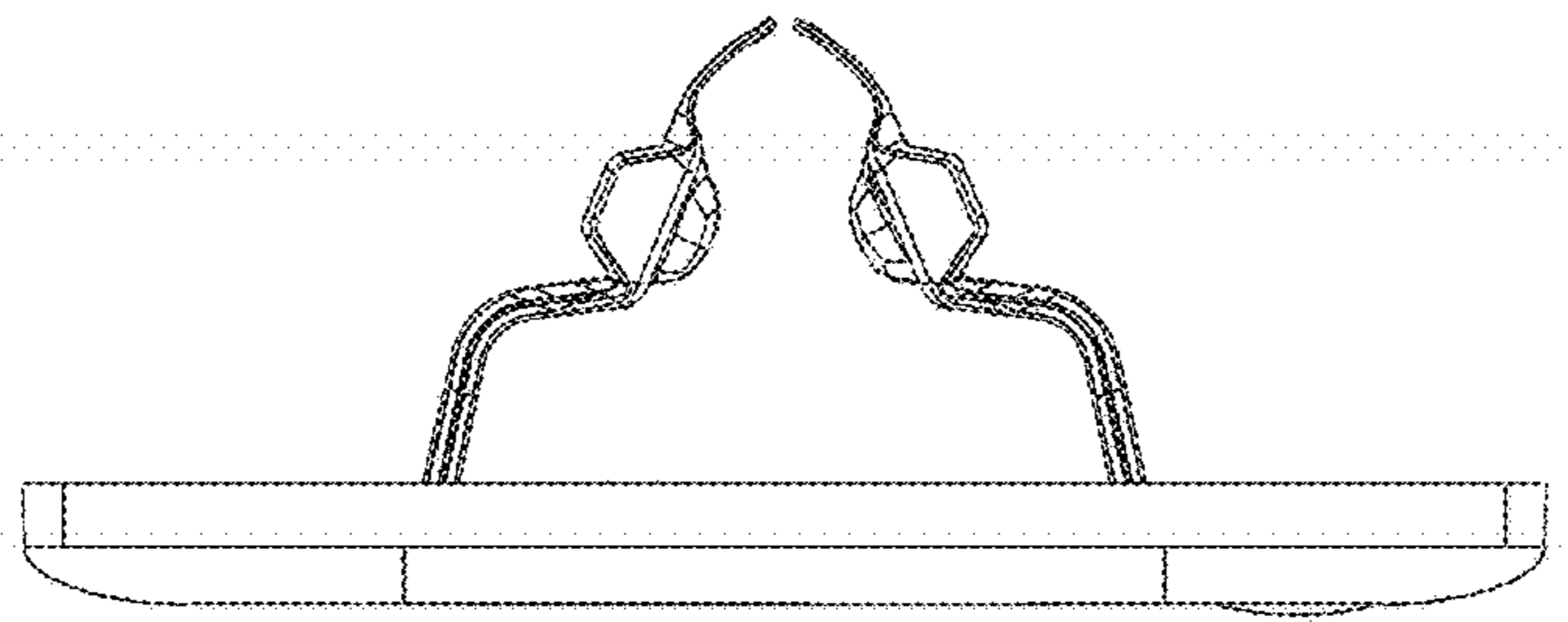


**Fig. 1**

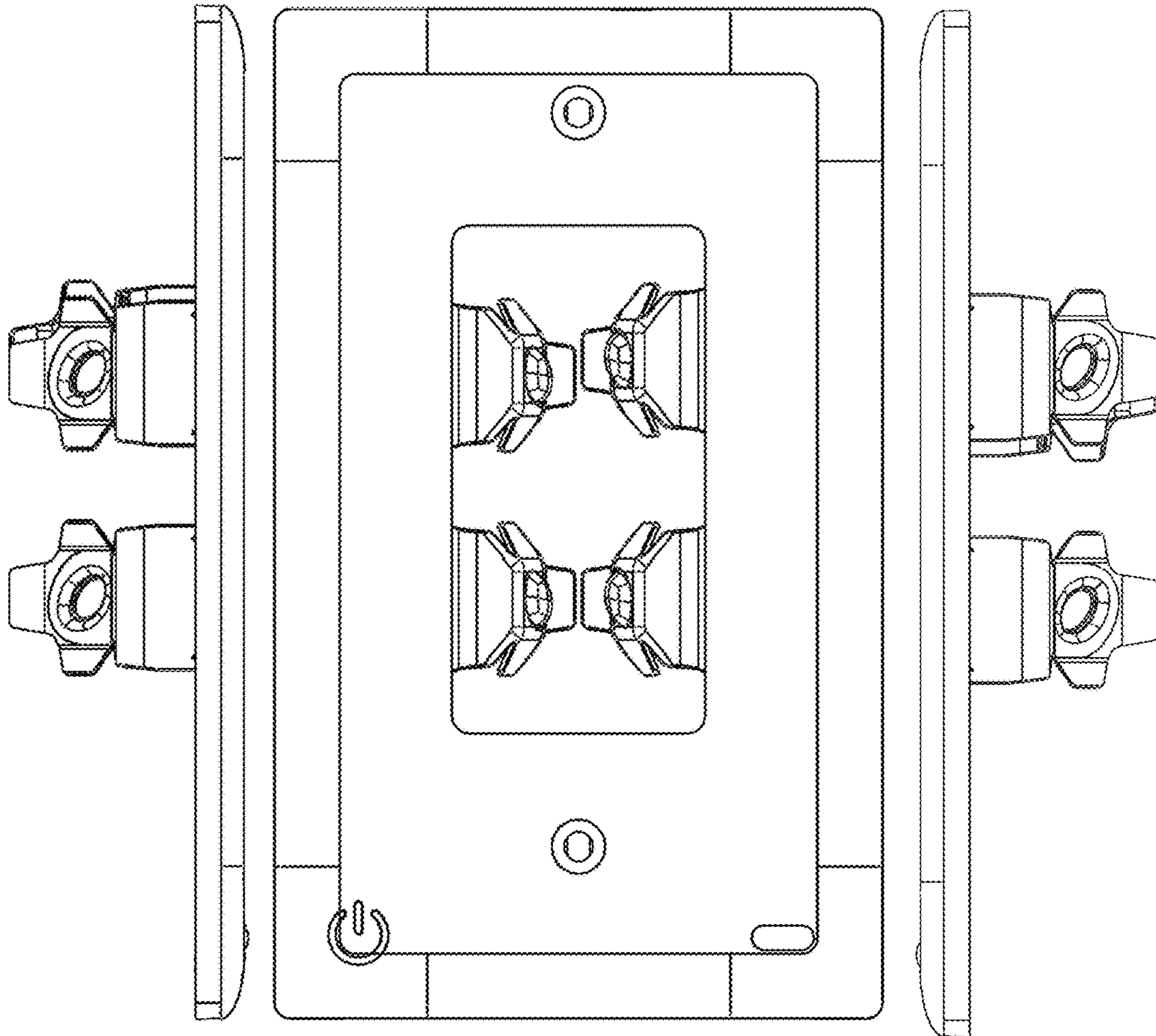


**Fig. 2**





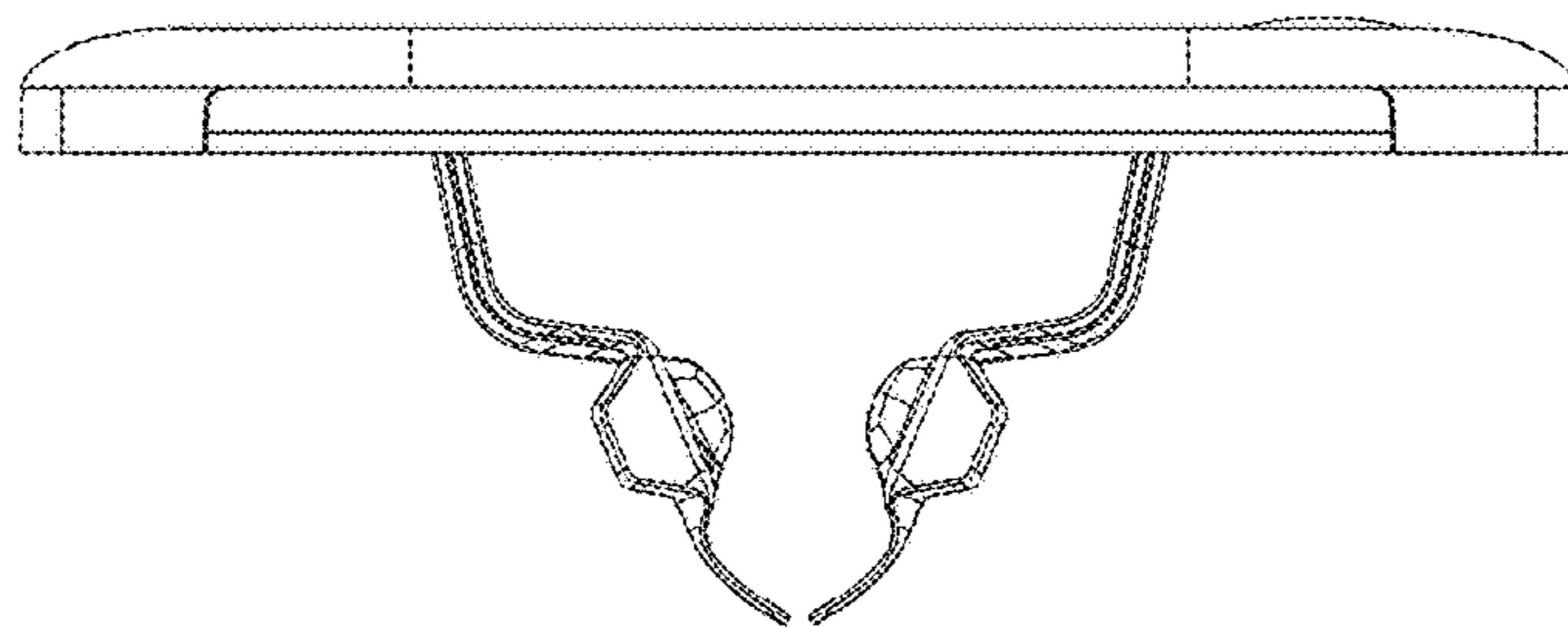
**Fig. 4**



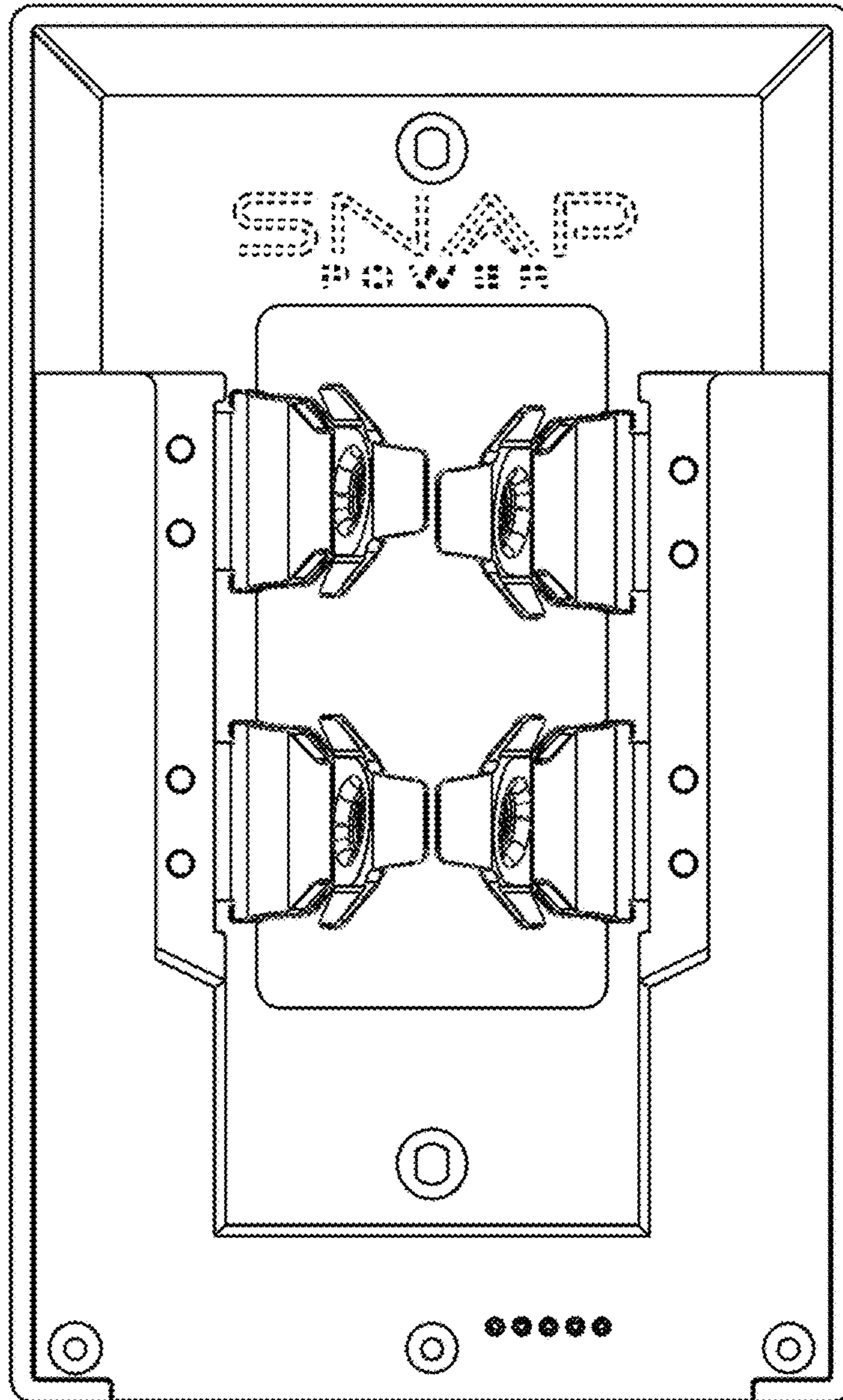
**Fig. 3**

**Fig. 5**

**Fig. 6**



**Fig. 7**



**Fig. 8**

UNITED STATES PATENT AND TRADEMARK OFFICE  
**CERTIFICATE OF CORRECTION**

PATENT NO. : D849,511 S  
APPLICATION NO. : 29/608299  
DATED : May 28, 2019  
INVENTOR(S) : Darren C. Knight

Page 1 of 1

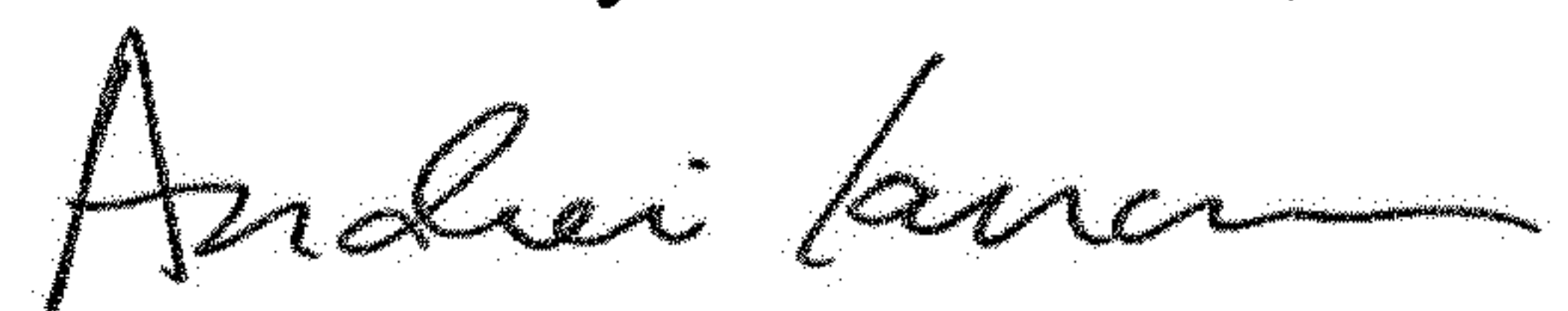
It is certified that error appears in the above-identified patent and that said Letters Patent is hereby corrected as shown below:

On the Title Page

Item [72] insert:

--Jeremy C. Smith, Orem, UT (US)--

Signed and Sealed this  
Fifteenth Day of December, 2020



Andrei Iancu  
*Director of the United States Patent and Trademark Office*