

US00D849510S

(12) **United States Design Patent**
Knight et al.

(10) **Patent No.:** **US D849,510 S**

(45) **Date of Patent:** **** May 28, 2019**

(54) **LIGHT SWITCH COVER PLATE**
(71) Applicants: **Darren C. Knight**, Pleasant Grove, UT
(US); **Jeremy C. Smith**, Orem, UT
(US)

(72) Inventors: **Darren C. Knight**, Pleasant Grove, UT
(US); **Jeremy C. Smith**, Orem, UT
(US)

(73) Assignee: **SnapRays LLC**, Vineyard, UT (US)

(**) Term: **15 Years**

(21) Appl. No.: **29/608,297**

(22) Filed: **Jun. 20, 2017**

(51) **LOC (11) Cl.** **11-05**

(52) **U.S. Cl.**
USPC **D8/353**

(58) **Field of Classification Search**
USPC D8/16, 19, 350-353, 364, 366, 499, 380,
D8/381; D13/125, 169, 170, 177, 103,
D13/137.1-137.3, 138.2, 139.1, 139.3,
D13/139.8
CPC H02G 3/14; H02G 3/081; H01R 31/06;
H01R 13/447; H01R 13/717; H01H 9/16;
H01H 9/18; H01H 23/04; H05B 37/0227;
H05B 37/0218; H05B 33/0803
See application file for complete search history.

(56) **References Cited**

U.S. PATENT DOCUMENTS

- 2,015,698 A 10/1935 Tiffany
- 2,145,447 A * 1/1939 Klingon H01R 13/631
174/66
- 2,428,167 A 9/1947 Linton
- 2,580,056 A 12/1951 Wheeler
- 3,307,030 A 2/1967 Francisco
- 3,522,595 A 8/1970 White
- 4,282,591 A 8/1981 Andreuccetti

- 4,611,264 A 9/1986 Bradley
- 4,617,613 A * 10/1986 Rice H01R 13/717
362/95
- 4,774,641 A * 9/1988 Rice F21S 8/035
174/66
- 5,473,517 A 12/1995 Blackman
- D366,339 S 1/1996 Waller
- 5,485,356 A * 1/1996 Nguyen H01R 13/717
174/66
- 5,670,776 A 9/1997 Rothbaum
- 5,683,166 A 11/1997 Lutzker
- D387,650 S * 12/1997 Lutzker D8/353
- 6,000,807 A 12/1999 Moreland
- 6,010,228 A 1/2000 Blackman
- 6,087,588 A * 7/2000 Soules H01H 9/185
174/66
- D429,829 S 8/2000 Doran
- 6,423,900 B1 * 7/2002 Soules H01H 9/185
174/66
- D464,865 S 10/2002 Luu
- 6,547,411 B1 4/2003 Dornbusch

(Continued)

Primary Examiner — Mark A Goodwin

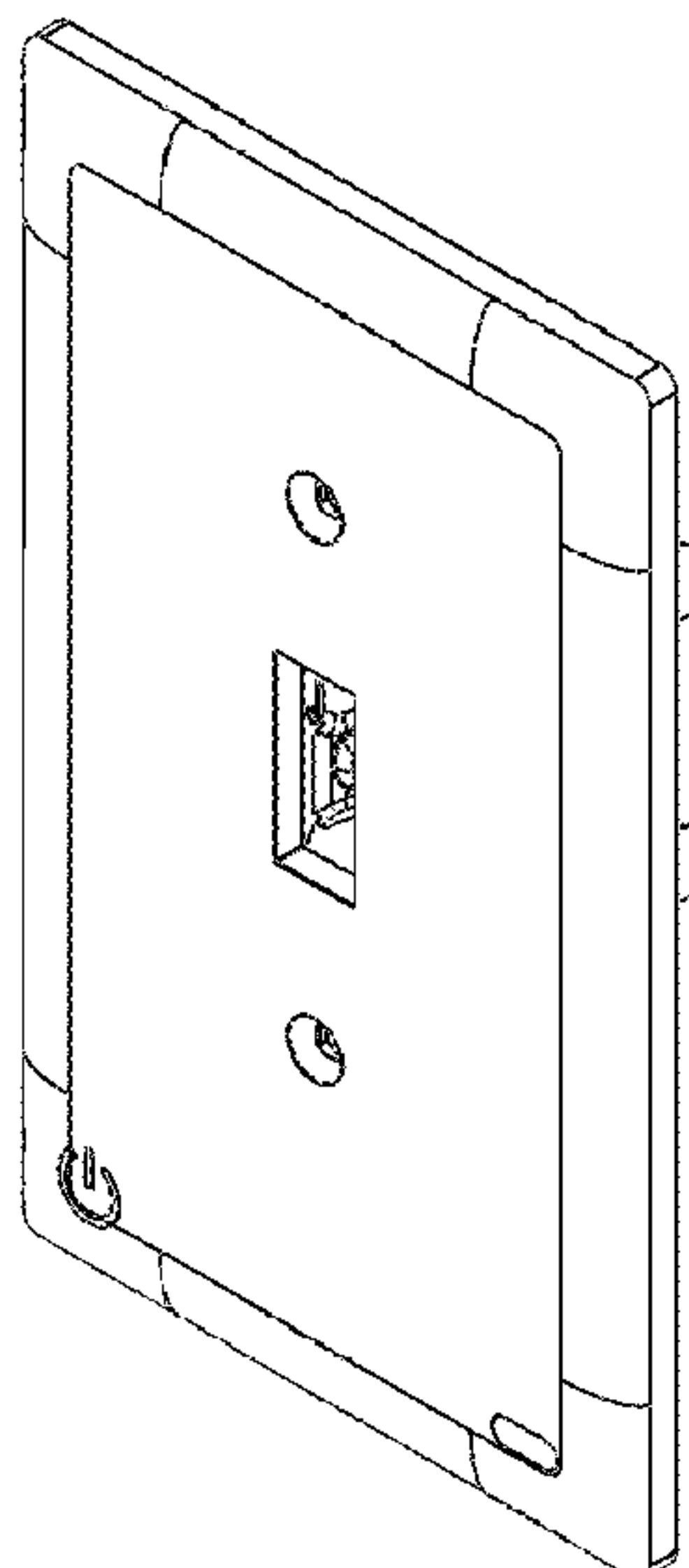
(57) **CLAIM**

The ornamental design for a light switch cover plate, as shown and described.

DESCRIPTION

FIG. 1 is a front perspective view of a light switch cover plate in accordance with my new design; FIG. 2 is another front perspective view thereof; FIG. 3 is a front elevation view thereof; FIG. 4 is a top view thereof; FIG. 5 is a first side elevation view thereof; FIG. 6 is a second, opposite side elevation view thereof; FIG. 7 is a bottom view thereof; and, FIG. 8 is back elevation view thereof. The broken lines represent unclaimed subject matter and form no part of the claimed design.

1 Claim, 4 Drawing Sheets



(56)

References Cited

U.S. PATENT DOCUMENTS

6,867,370 B2 3/2005 Compagnone, Jr.
 7,247,793 B2 7/2007 Hinkson et al.
 7,318,653 B2* 1/2008 Chien F21S 8/035
 362/95
 D576,866 S * 9/2008 Kidman D8/353
 7,506,990 B2 3/2009 Glazner
 7,547,131 B2 6/2009 Faunce
 7,850,322 B2* 12/2010 Glazner H05B 33/0803
 362/95
 D642,894 S * 8/2011 Soper D8/353
 8,003,886 B1 8/2011 Rintz
 D650,112 S 12/2011 Bryant
 8,511,866 B1* 8/2013 Mendez F21S 9/022
 362/362
 8,668,347 B2* 3/2014 Ebeling H01R 13/5213
 174/66
 D719,699 S 12/2014 Bryant
 8,912,442 B2* 12/2014 Smith H02G 3/14
 D721,336 S * 1/2015 Tonnesen D13/156
 9,035,180 B2* 5/2015 Smith H02G 3/14
 9,482,426 B2* 11/2016 Diotte F21V 33/006
 D804,287 S * 12/2017 Baldwin D8/350

D804,429 S * 12/2017 Baldwin D13/156
 9,882,361 B2* 1/2018 Smith H02G 3/081
 D809,899 S * 2/2018 Knight D8/353
 D821,179 S * 6/2018 Exley D8/353
 D821,180 S * 6/2018 Exley D8/353
 9,997,860 B1* 6/2018 Hernandez, Jr. H01R 13/24
 2001/0046130 A1 11/2001 Cunningham et al.
 2003/0124022 A1* 7/2003 Georges A61L 9/03
 422/5
 2006/0072302 A1* 4/2006 Chien F21S 8/035
 362/84
 2006/0170380 A1* 8/2006 Evans F21S 8/035
 315/312
 2009/0284385 A1* 11/2009 Tang H02G 3/12
 340/638
 2012/0008307 A1 1/2012 Delany
 2012/0068612 A1* 3/2012 Ebeling H01R 13/5213
 315/159
 2013/0221868 A1 8/2013 Diotte
 2014/0246218 A1* 9/2014 Shotey H02G 3/14
 174/66
 2015/0229079 A1* 8/2015 Smith H05K 5/03
 323/318
 2017/0018890 A1* 1/2017 St. Laurent H01R 25/006

* cited by examiner

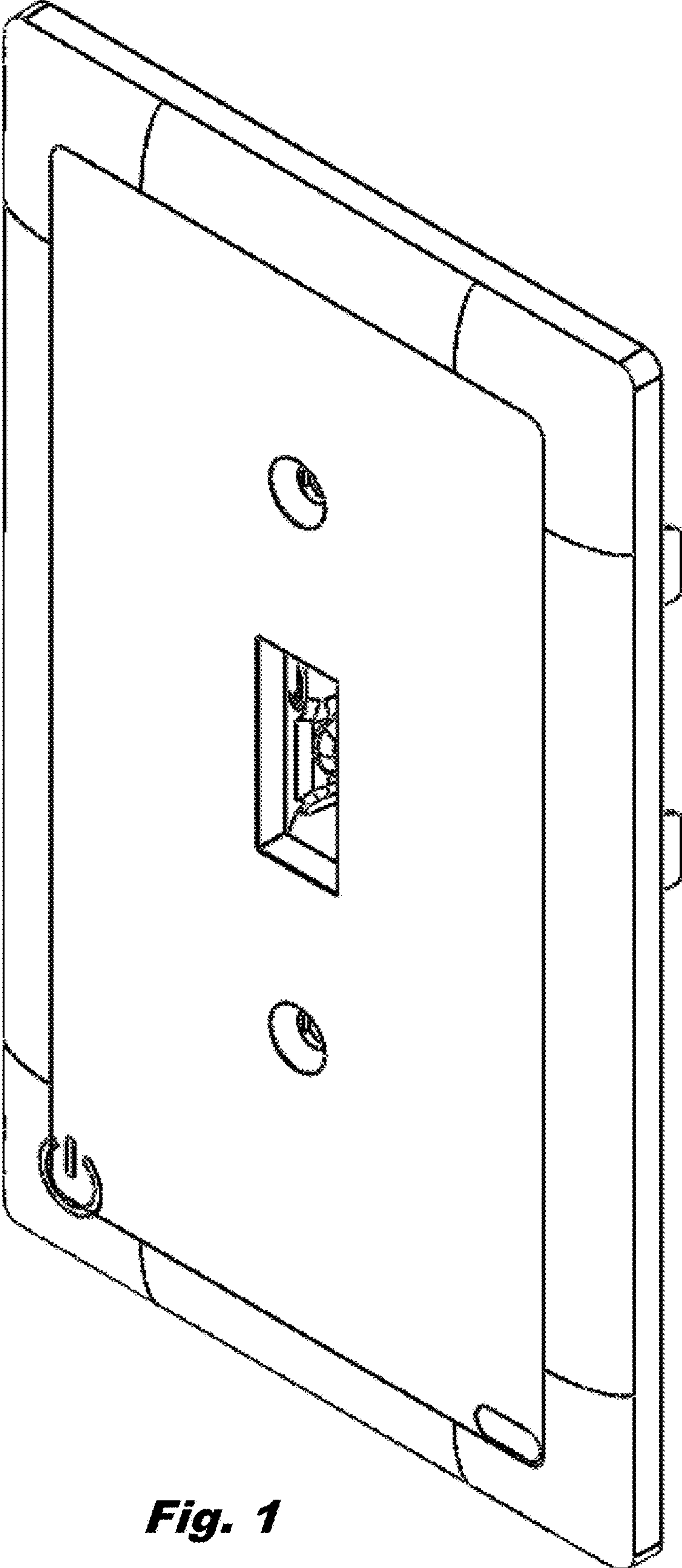


Fig. 1

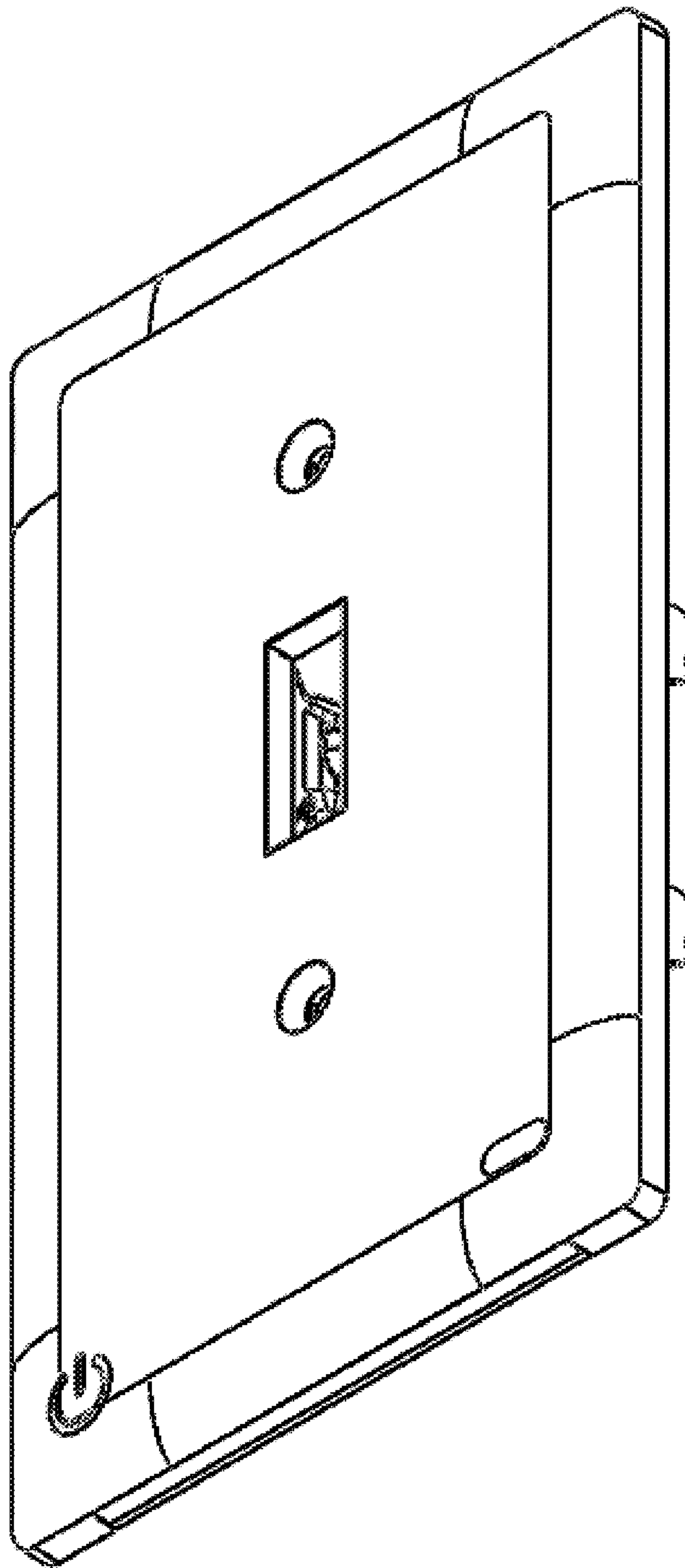


Fig. 2

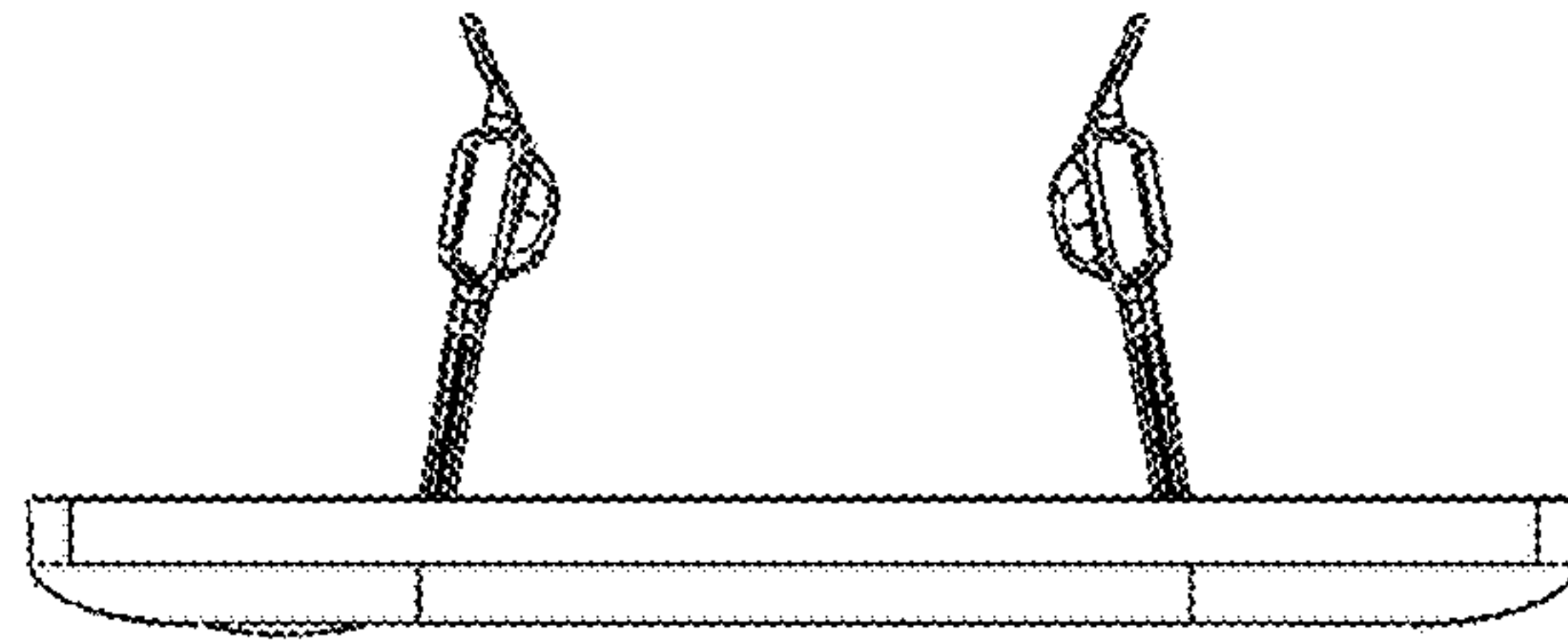


Fig. 4

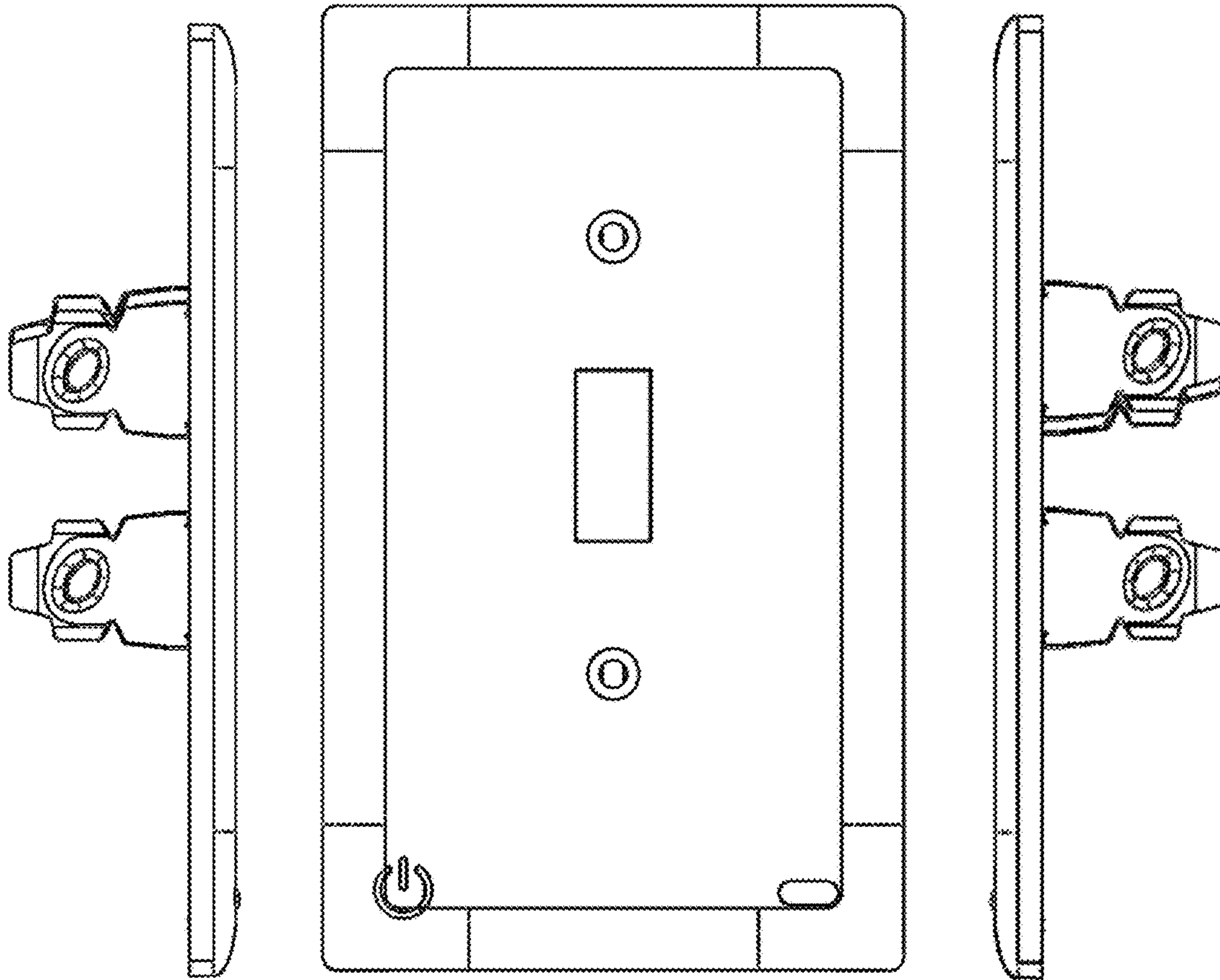


Fig. 5

Fig. 3

Fig. 6

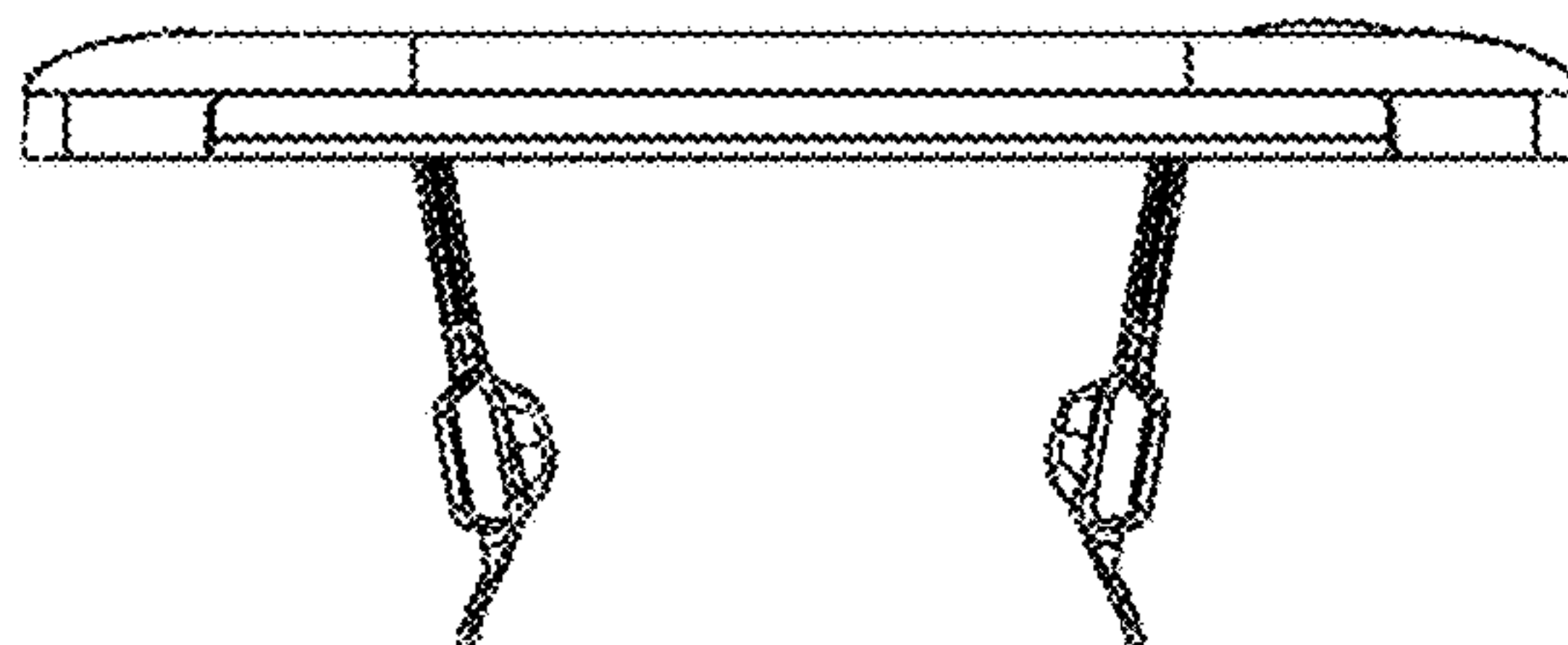


Fig. 7

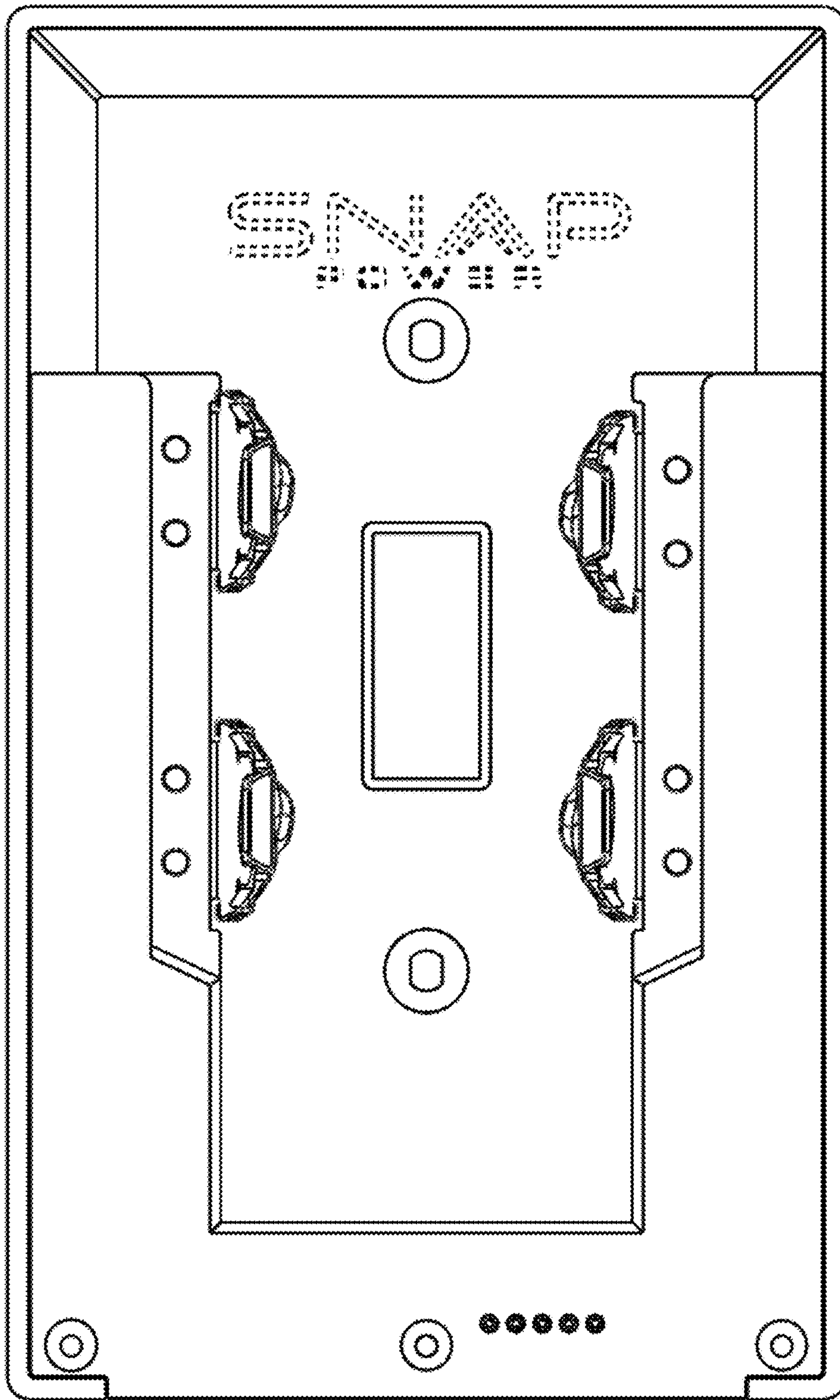


Fig. 8