



US00D849507S

(12) **United States Design Patent** (10) **Patent No.:** **US D849,507 S**
DeDios-Shirley et al. (45) **Date of Patent:** **** May 28, 2019**

(54) **DEVICE MOUNT**
(71) Applicant: **HIDEit Mounts, Inc.**, Reno, NV (US)
(72) Inventors: **Relina Belen DeDios-Shirley**, Reno, NV (US); **Charles Edward Shirley**, Reno, NV (US)
(73) Assignee: **HIDEit Mounts, Inc.**, Reno, NV (US)
(**) Term: **15 Years**

D312,185 S * 11/1990 Prater, Sr. D6/567
5,044,589 A 9/1991 Milne et al.
D321,135 S * 10/1991 Bedell D34/5
5,227,582 A 7/1993 Velasco et al.
D370,171 S 5/1996 Emerson
D376,751 S 12/1996 Hanson
D388,136 S 12/1997 Lecocq et al.
5,765,850 A 6/1998 Emerson
D398,470 S * 9/1998 St-Pierre D6/574
D409,079 S 5/1999 Sobczynski
(Continued)

(21) Appl. No.: **29/611,079**
(22) Filed: **Jul. 18, 2017**
(51) **LOC (11) Cl.** **08-08**
(52) **U.S. Cl.**
USPC **D8/349**
(58) **Field of Classification Search**
USPC D8/16, 19, 349, 354, 364, 366, 499, 380,
D8/381, 371, 373; D14/238, 238.1, 136,
D14/239, 451; 111/11
CPC .. A01C 7/00; A01C 7/046; A01C 7/12; A01C
7/127; A01C 19/00; B65G 29/00; A47B
2220/0036; E04B 1/26; E04B 1/38; E04B
1/2608; E04B 2001/2415; E04B
2001/2644; E04B 2001/405; E04B 7/045;
H02G 3/32; H16M 1/02; H16M 1/025;
B60P 7/0892; B63B 25/28; B63B
2025/285; H05K 5/0204
See application file for complete search history.

OTHER PUBLICATIONS

Relina Belen Dedios-Shirley, et al, Design U.S. Appl. No. 29/530,127, filed Jun. 12, 2015, issued Aug. 23, 2016.
(Continued)

Primary Examiner — Mark A Goodwin
(74) *Attorney, Agent, or Firm* — Holland & Hart LLP

(57) **CLAIM**

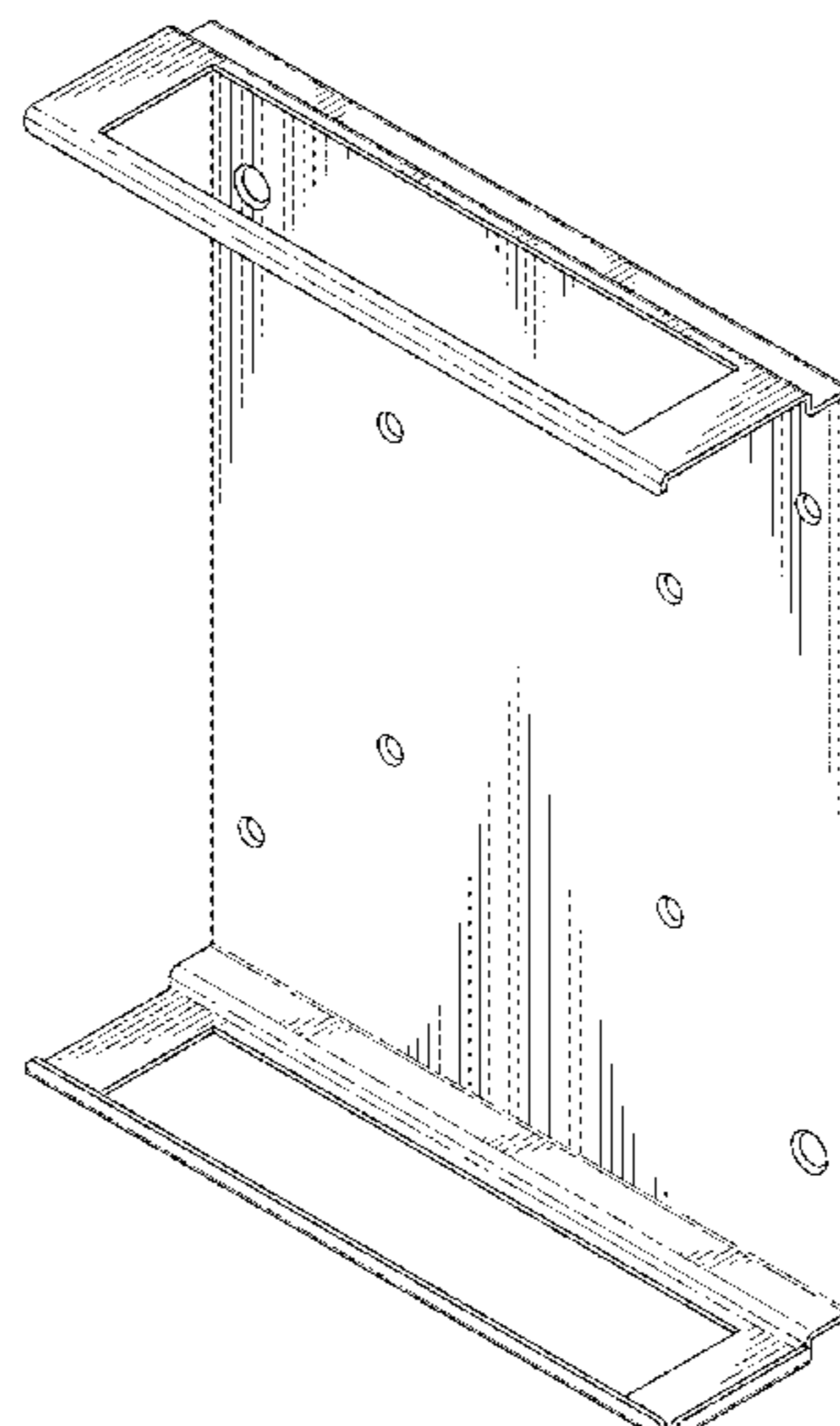
The ornamental design for a device mount, as shown and described.

DESCRIPTION

FIG. 1 is a perspective view of the device mount showing our new design;
FIG. 2 is a front elevational view of the device mount shown in FIG. 1;
FIG. 3 is a top plan view of the device mount shown in FIG. 1;
FIG. 4 is a bottom plan view of the device mount shown in FIG. 1;
FIG. 5 is a left side elevational view of the device mount shown in FIG. 1;
FIG. 6 is a right side elevational view of the device mount shown in FIG. 1; and,
FIG. 7 is a left side elevational view of the device mount shown in FIG. 1.

(56) **References Cited**
U.S. PATENT DOCUMENTS
D168,074 S 10/1952 Symington
D242,766 S 12/1976 Neece
D244,748 S 6/1977 Canterbury
4,079,604 A 3/1978 Anderegg
4,467,244 A 8/1984 Dickie
D296,075 S 6/1988 Jones
D306,133 S 2/1990 Zupancic
D310,478 S * 9/1990 Lang D8/373

1 Claim, 5 Drawing Sheets



(56)

References Cited

U.S. PATENT DOCUMENTS

D423,328 S 4/2000 Burrows
 D425,070 S * 5/2000 Johnson D14/239
 D426,041 S * 5/2000 Boghossian D34/6
 6,402,111 B1 6/2002 Stewart et al.
 6,554,527 B1 4/2003 O'Donnell et al.
 7,312,396 B1 12/2007 Gorman
 D568,727 S 5/2008 Walker et al.
 D583,221 S 12/2008 Johnsen
 D598,273 S 8/2009 Nerskov
 D622,114 S 8/2010 Balliet
 7,918,426 B2 4/2011 Short et al.
 D654,350 S 2/2012 Preda
 8,141,836 B2 3/2012 Saez et al.
 D667,288 S 9/2012 Preda
 D667,718 S 9/2012 Preda
 D684,033 S 6/2013 Preda
 D710,340 S 8/2014 Wengreen et al.
 D730,719 S 6/2015 Sundberg
 D732,939 S * 6/2015 Cannaverde E06B 9/174
 D8/354
 D734,305 S 7/2015 Wengreen
 D735,174 S 7/2015 Wengreen
 D737,124 S * 8/2015 Sasanecki D8/366
 D746,122 S 12/2015 Stoops
 D764,256 S 8/2016 DeDios-Shirley et al.
 D767,973 S 10/2016 DeDios-Shirley et al.
 D773,836 S 12/2016 Eads
 D777,167 S * 1/2017 Wengreen D14/447

D803,030 S * 11/2017 Wengreen H05K 5/0204
 D8/354
 D820,665 S * 6/2018 DeDios-Shirley D8/354
 D823,674 S * 7/2018 Ng D8/380
 D825,576 S * 8/2018 Krupa D14/447
 2003/0155474 A1 * 8/2003 Dean G11B 33/124
 248/300
 2005/0023419 A1 2/2005 Frankel
 2007/0235609 A1 10/2007 Chun et al.
 2008/0296467 A1 12/2008 Havelock et al.
 2009/0052128 A1 2/2009 Yeh et al.
 2010/0299876 A1 12/2010 Kang
 2012/0312950 A1 12/2012 Sears
 2013/0105649 A1 * 5/2013 Wills E06B 9/42
 248/224.8
 2015/0264823 A1 9/2015 Shirley et al.

OTHER PUBLICATIONS

Relina Belen Dedios-Shirley, et al, Design U.S. Appl. No. 29/530,129, filed Jun. 12, 2015, issued Oct. 4, 2016.
 Relina Belen Dedios-Shirley, et al, Design U.S. Appl. No. 29/588,834, filed Dec. 23, 2016.
 Relina Belen Dedios-Shirley, et al, Design U.S. Appl. No. 29/593,964, filed Feb. 14, 2017.
 Relina Belen Dedios-Shirley, et al, Design U.S. Appl. No. 29/604,572, filed May 18, 2017.
 Amazon; HIDEit 4S Mount for PlayStation 4 Slim; <https://www.amazon.com/HIDEit-4S-Mount-PlayStation-Slim-Wall/dp/B01MDMJMYC>.

* cited by examiner

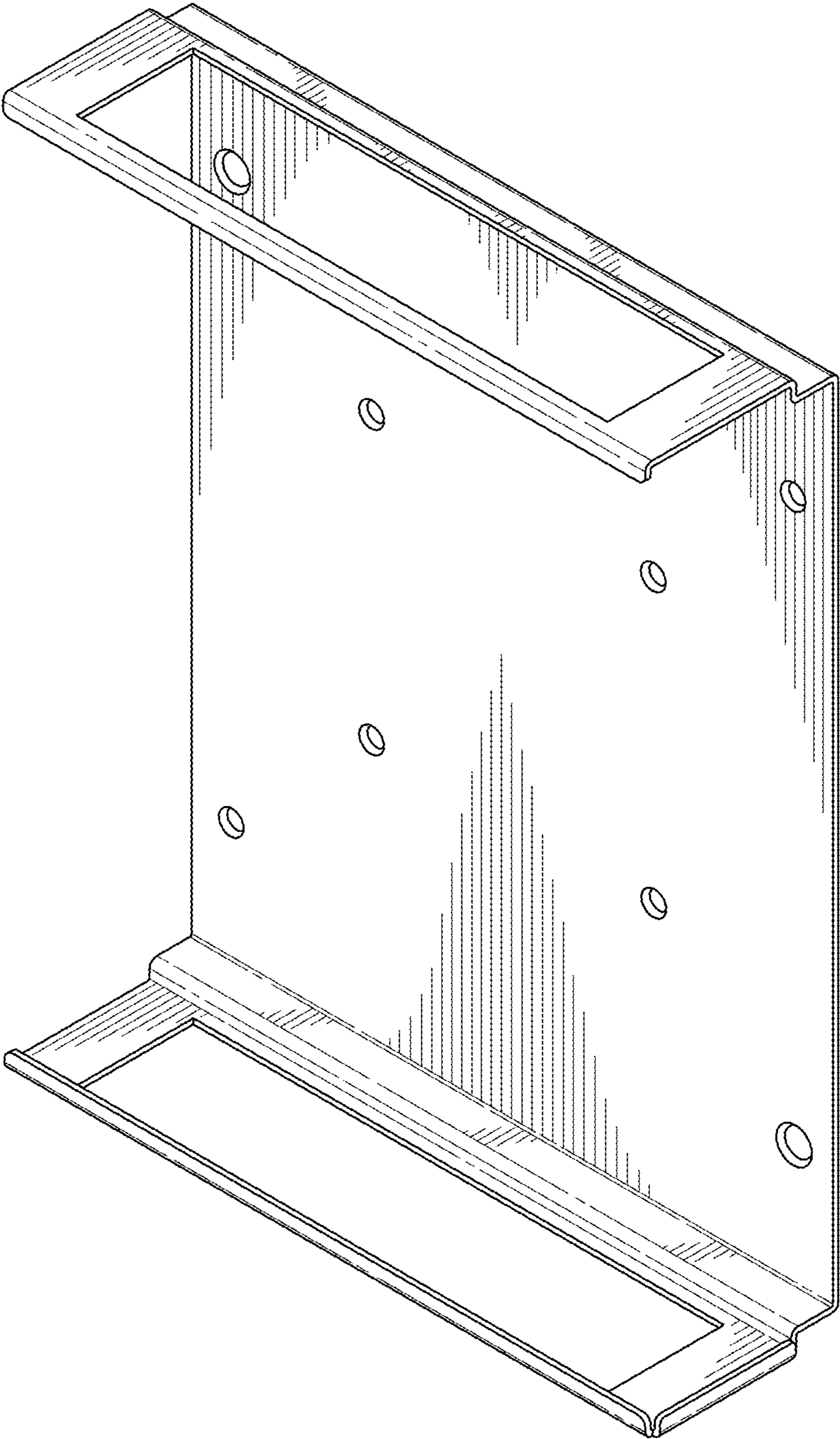


FIG. 1

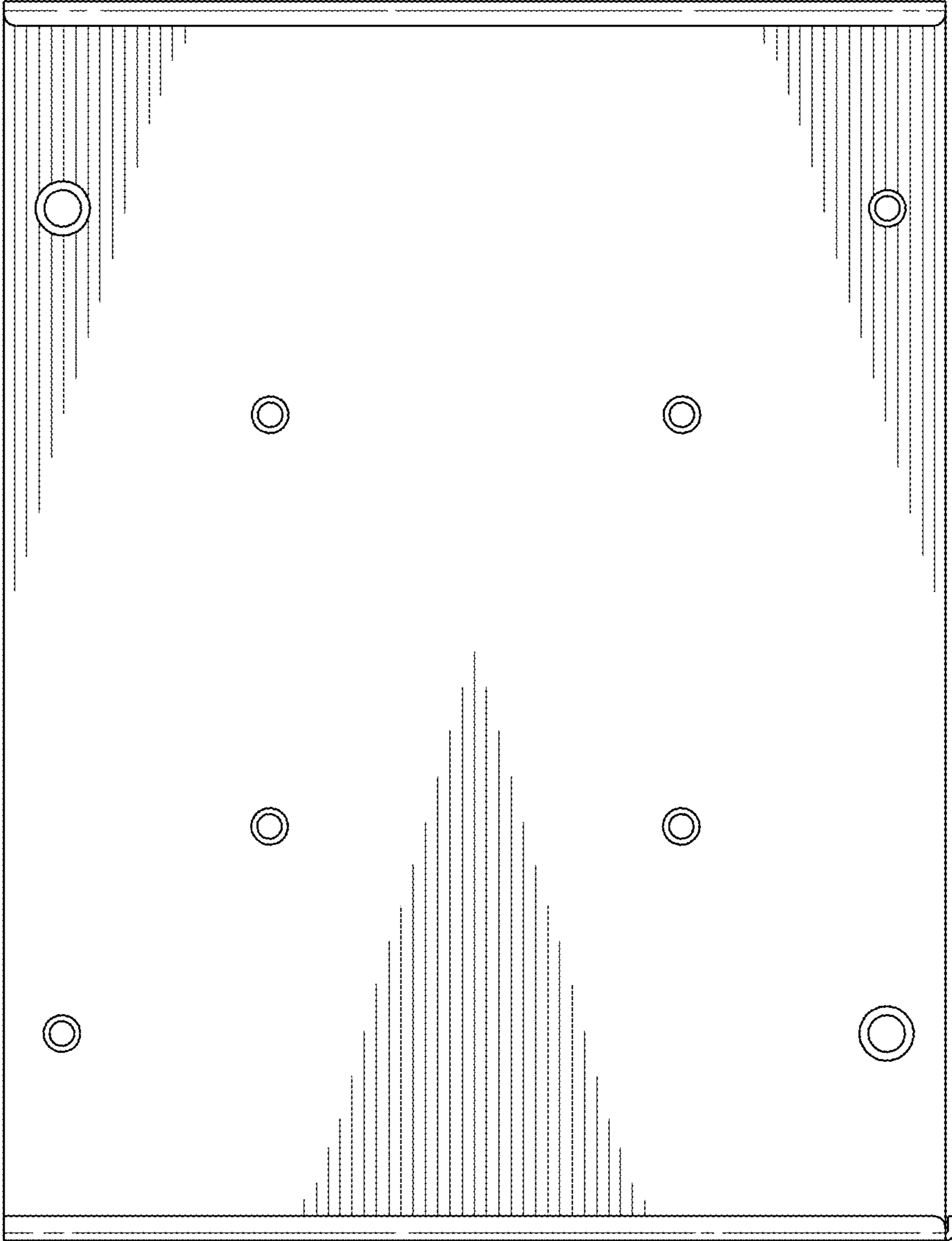


FIG. 2

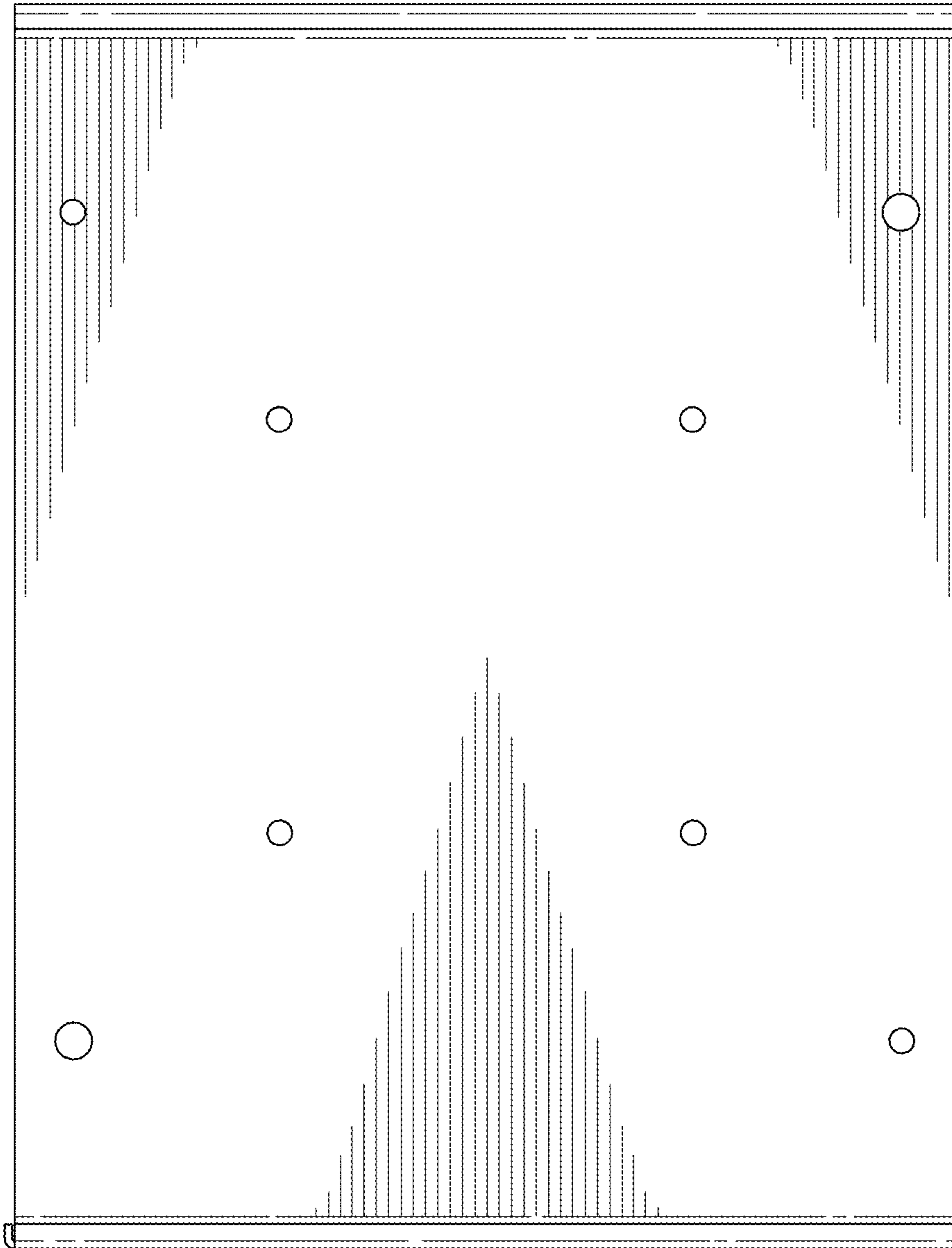


FIG. 3

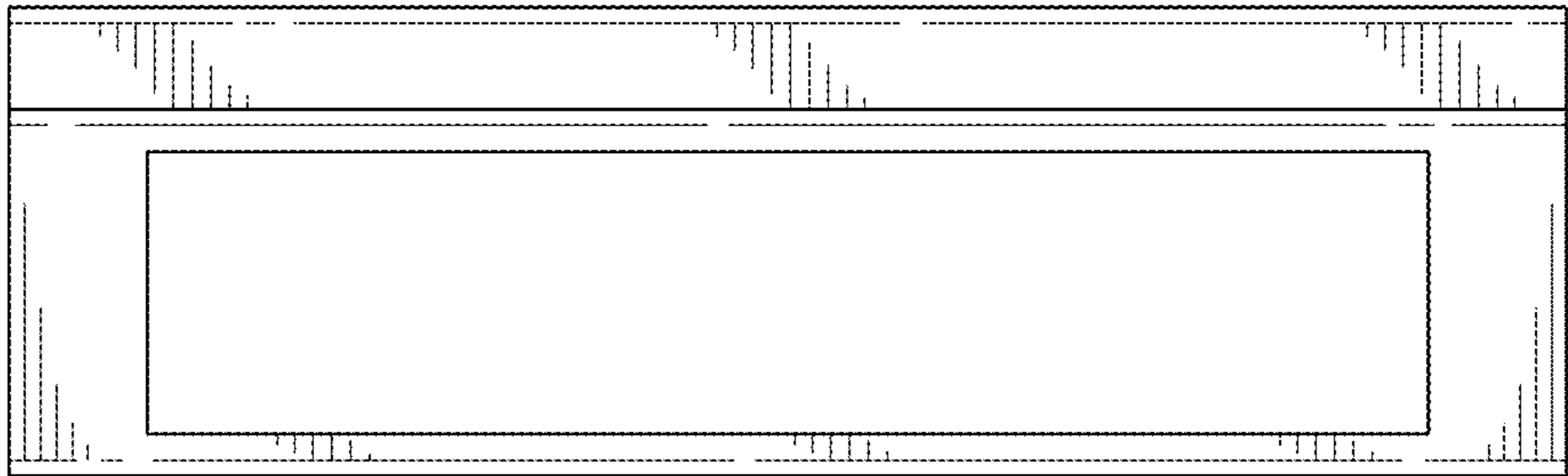


FIG. 4

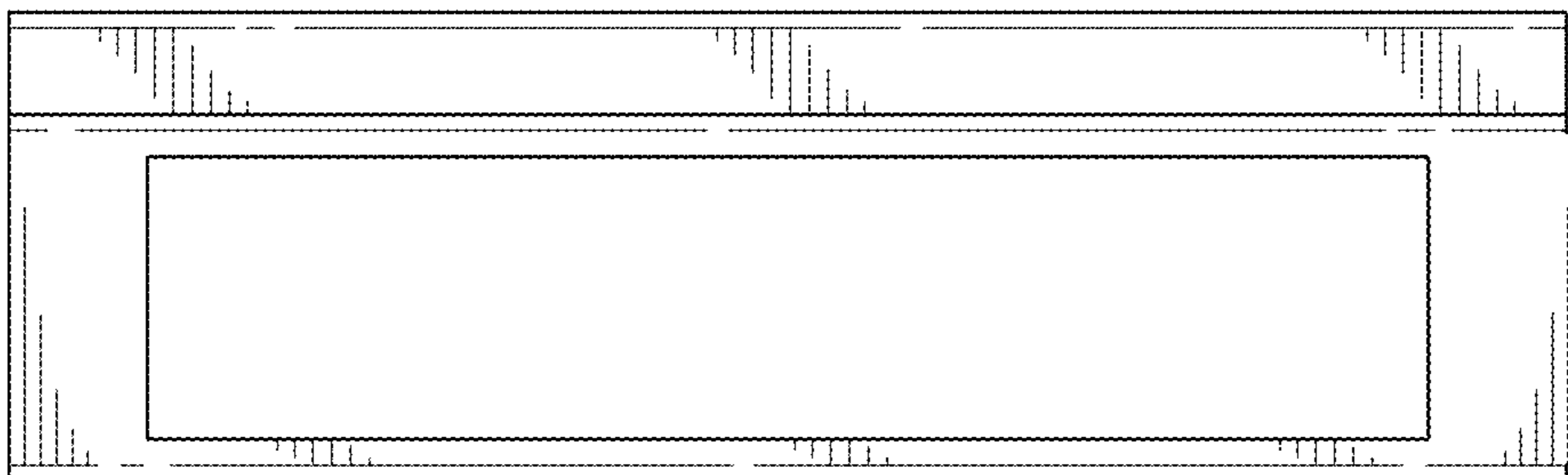


FIG. 5

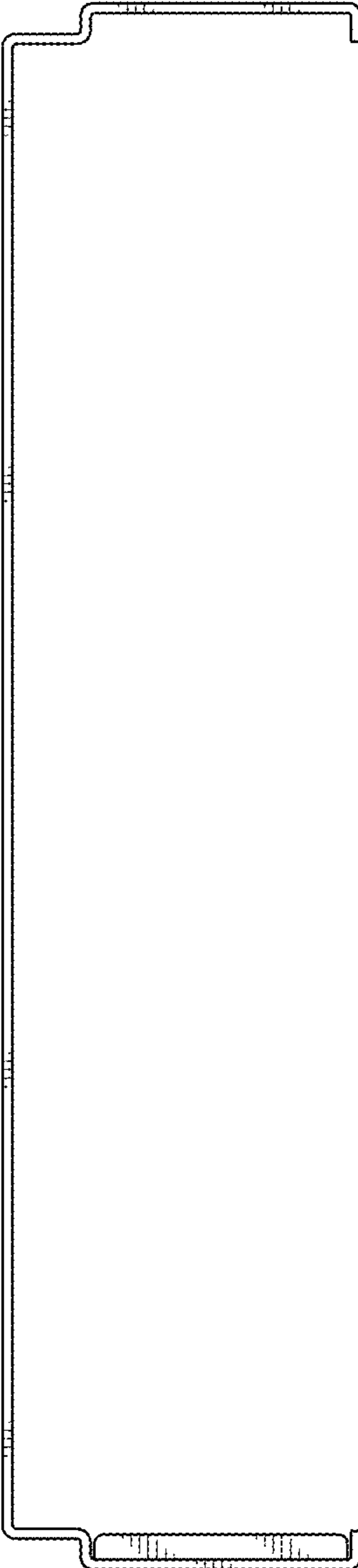


FIG. 6

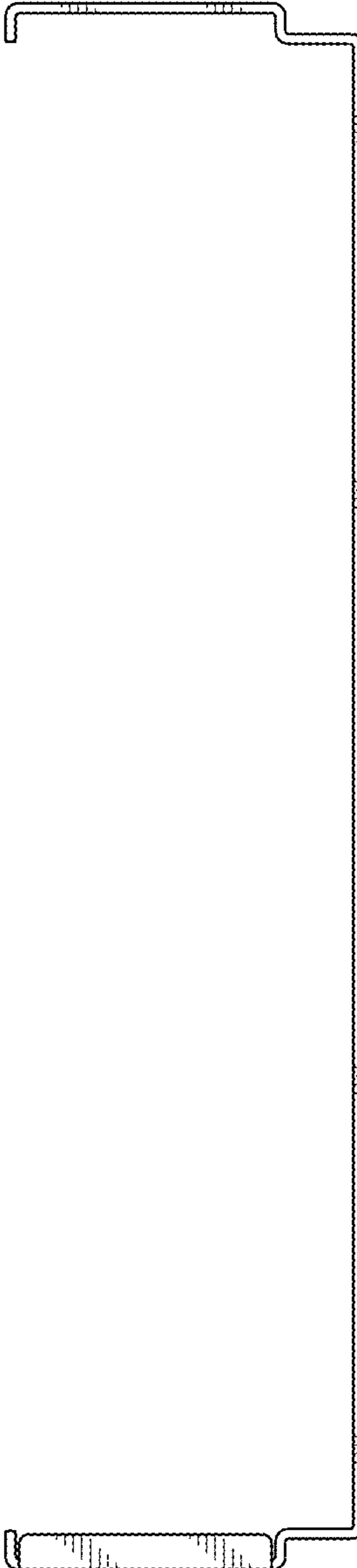


FIG. 7