



US00D849506S

(12) **United States Design Patent**
Hosler

(10) **Patent No.:** **US D849,506 S**

(45) **Date of Patent:** **** May 28, 2019**

(54) **RELEASABLE LADDER LOCK**

(71) Applicant: **Daniel William Hosler**, Sparland, IL
(US)

(72) Inventor: **Daniel William Hosler**, Sparland, IL
(US)

(**) Term: **15 Years**

(21) Appl. No.: **29/625,468**

(22) Filed: **Nov. 9, 2017**

Related U.S. Application Data

(62) Division of application No. 29/563,561, filed on May 5, 2016, now Pat. No. Des. 803,029.

(51) **LOC (11) Cl.** **08-07**

(52) **U.S. Cl.**
USPC **D8/338**

(58) **Field of Classification Search**

USPC D8/330, 331, 338, 343, 333, 341, 349;
D21/330, 343; D25/62, 64, 68; 70/465,
70/466; 182/93, 107, 127; 224/319, 324;
248/210

CPC E05B 73/00; E05B 73/007; E06C 1/32;
E06C 5/00; E06C 7/00; E06C 7/06

See application file for complete search history.

(56) **References Cited**

U.S. PATENT DOCUMENTS

2,134,823	A	11/1938	Herrmann et al.	
3,826,390	A	7/1974	Watson	
3,877,624	A	4/1975	Carson	
4,008,838	A *	2/1977	Correll	B60R 9/0485 182/127

(Continued)

OTHER PUBLICATIONS

International Search Report and Written Opinion from PCT/US2016/030999 dated Aug. 11, 2016 (9 pages).

Primary Examiner — Ian Simmons

Assistant Examiner — Yolanda Robinson

(74) *Attorney, Agent, or Firm* — McDermott Will & Emery LLP

(57) **CLAIM**

I claim the ornamental design for a releasable ladder lock, as shown and described.

DESCRIPTION

FIG. 1 is a perspective view of a first embodiment of a releasable ladder lock showing the new design;

FIG. 2 is a front view of the releasable ladder lock of FIG. 1;

FIG. 3 is a rear view of the releasable ladder lock of FIG. 1;

FIG. 4 is a left side view of the releasable ladder lock of FIG. 1;

FIG. 5 is a right side view of the releasable ladder lock of FIG. 1;

FIG. 6 is a top view of the releasable ladder lock of FIG. 1;

FIG. 7 is a bottom view of the releasable ladder lock of FIG. 1;

FIG. 8 is a perspective view of a second embodiment of a releasable ladder lock showing the new design;

FIG. 9 is a front view of the releasable ladder lock of FIG. 8;

FIG. 10 is a rear view of the releasable ladder lock of FIG. 8;

FIG. 11 is a left side view of the releasable ladder lock of FIG. 8;

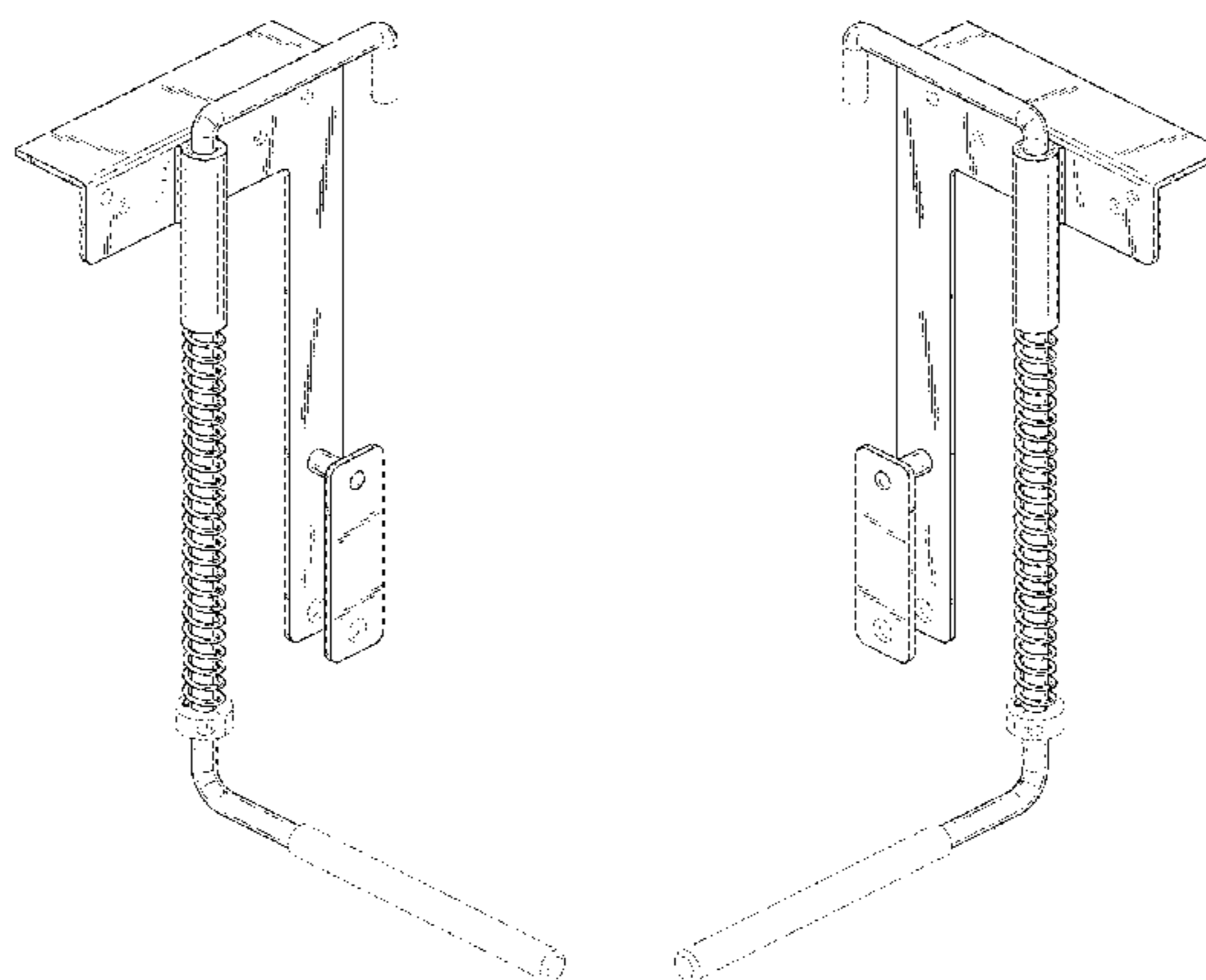
FIG. 12 is a right side view of the releasable ladder lock of FIG. 8;

FIG. 13 is a top view of the releasable ladder lock of FIG. 8; and,

FIG. 14 is a bottom view of the Releasable Ladder Lock of FIG. 8.

Features shown in broken lines in the Figures are not part of the claimed design of the releasable ladder lock.

1 Claim, 14 Drawing Sheets



(56)

References Cited

U.S. PATENT DOCUMENTS

D356,166	S *	3/1995	Spiller	D25/68
D364,082	S	11/1995	Weinerman	
5,626,373	A	5/1997	Chambers	
5,628,381	A *	5/1997	Markovich	E06C 7/486 182/107
5,918,488	A *	7/1999	Deeter	B60R 9/0485 182/214
6,397,644	B1	6/2002	Gidding	
6,523,730	B2 *	2/2003	Anderson	B60R 9/0485 182/127
7,311,176	B2 *	12/2007	Stevens	B60R 9/0485 182/127
D574,219	S	8/2008	Griffith	
D630,769	S	1/2011	Capelle	
D662,607	S *	6/2012	Lawson, Jr.	D25/68
8,235,175	B1 *	8/2012	Feldhaus	182/106
D667,564	S *	9/2012	Evans	182/127
8,511,430	B1 *	8/2013	Pelini	B63B 27/146 114/362
D715,458	S *	10/2014	Collins	D25/68
D724,808	S *	3/2015	Blehm	D25/62
D803,029	S *	11/2017	Hosler	D8/338
10,011,235	B2 *	7/2018	Hosler	B60R 9/0485
2001/0007627	A1 *	7/2001	Chasen	B60P 7/08 410/120
2003/0034206	A1 *	2/2003	Carroll, Jr.	E06C 5/00 182/127
2005/0241879	A1 *	11/2005	Hickey	B60R 9/0423 182/127
2006/0283663	A1 *	12/2006	Fenner	E06C 5/02 182/127

* cited by examiner

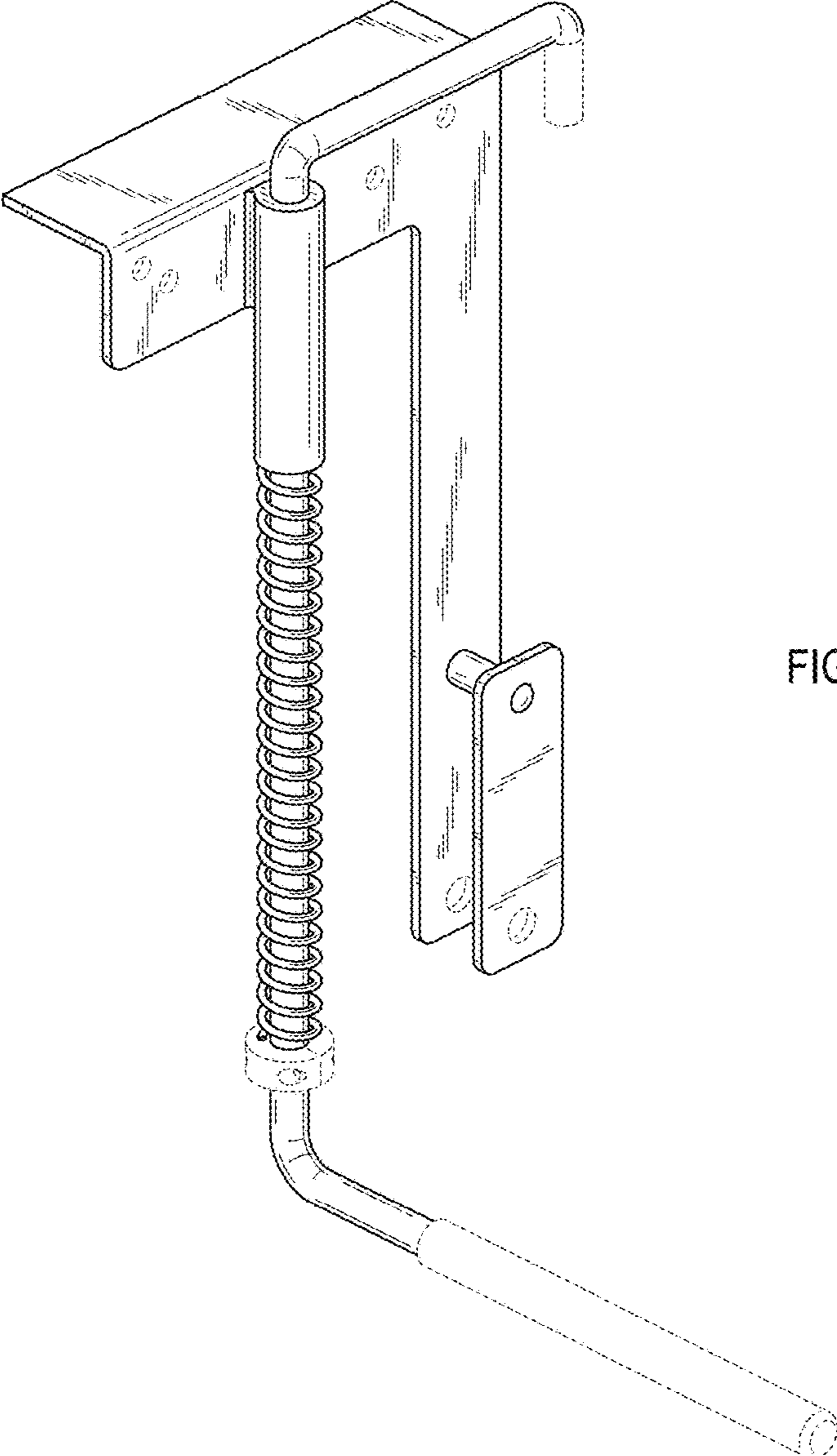


FIG. 1

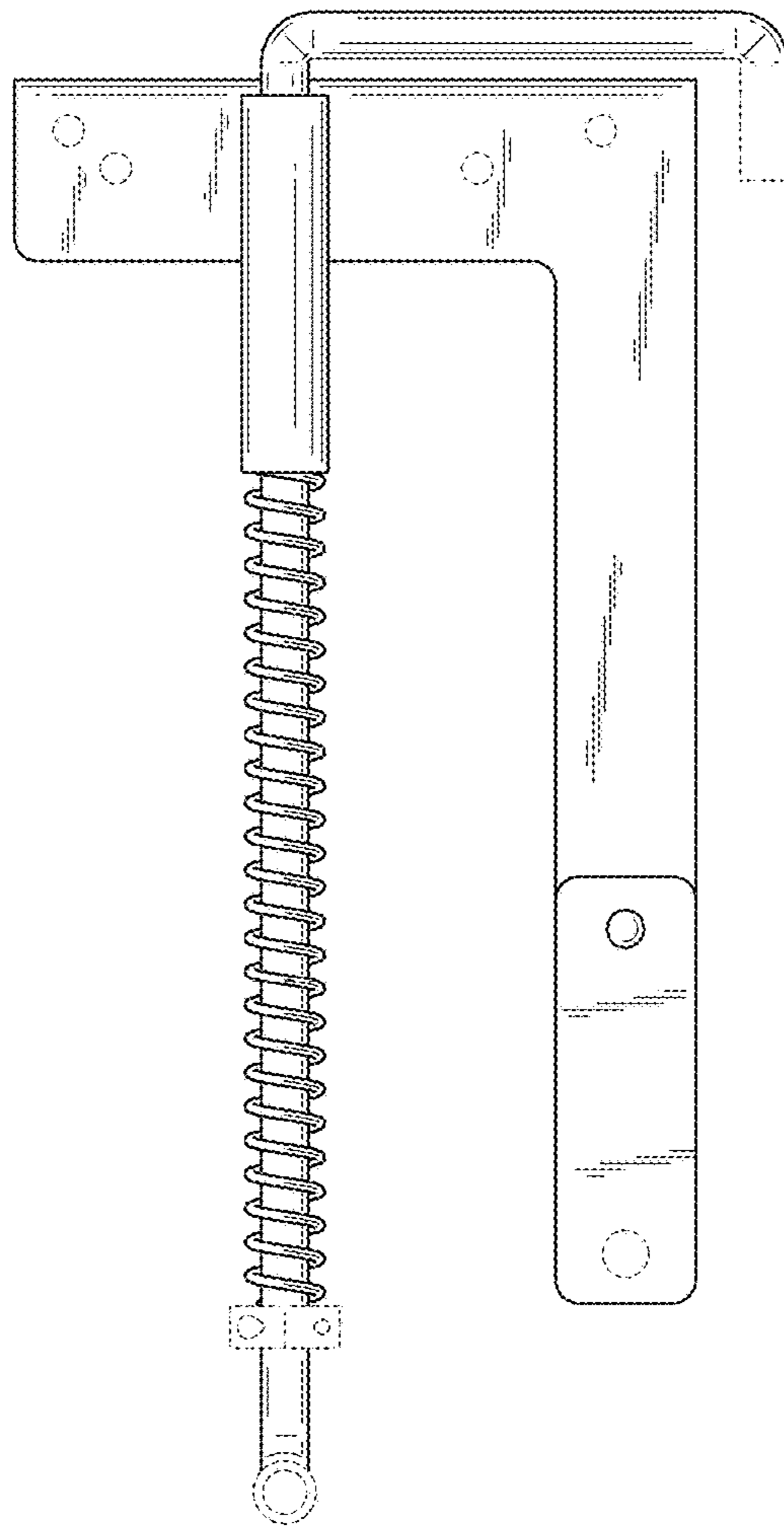


FIG. 2

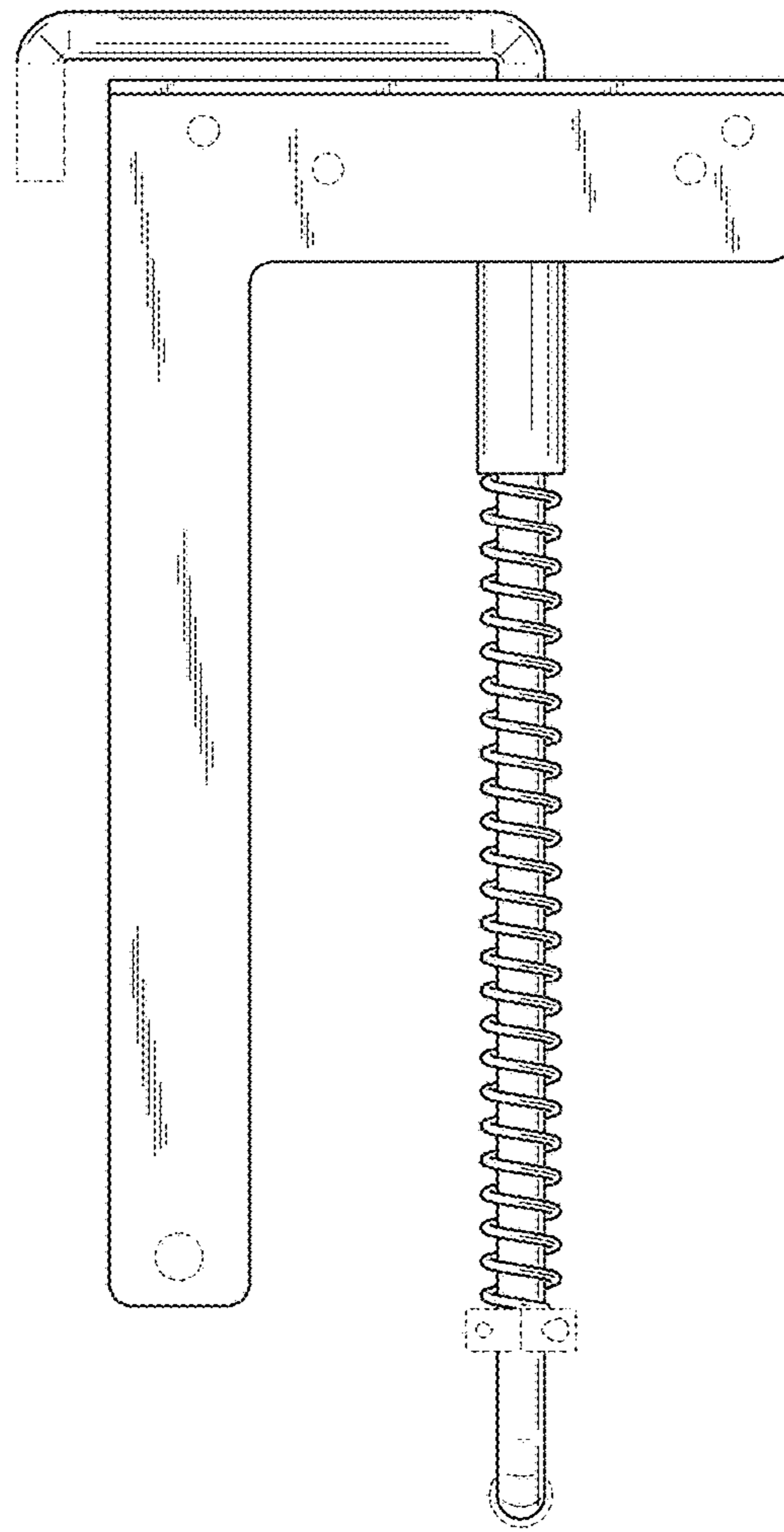


FIG. 3

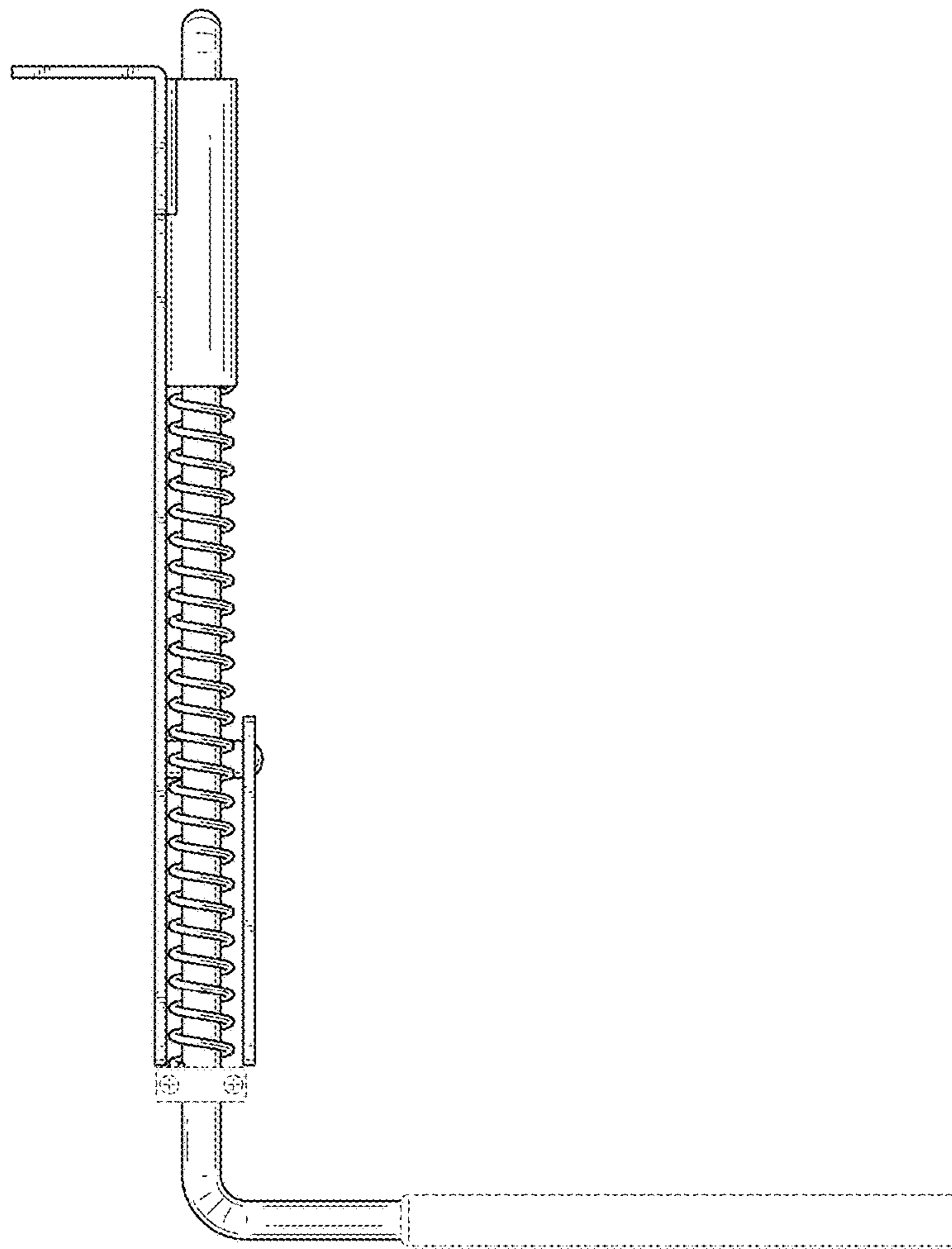


FIG. 4

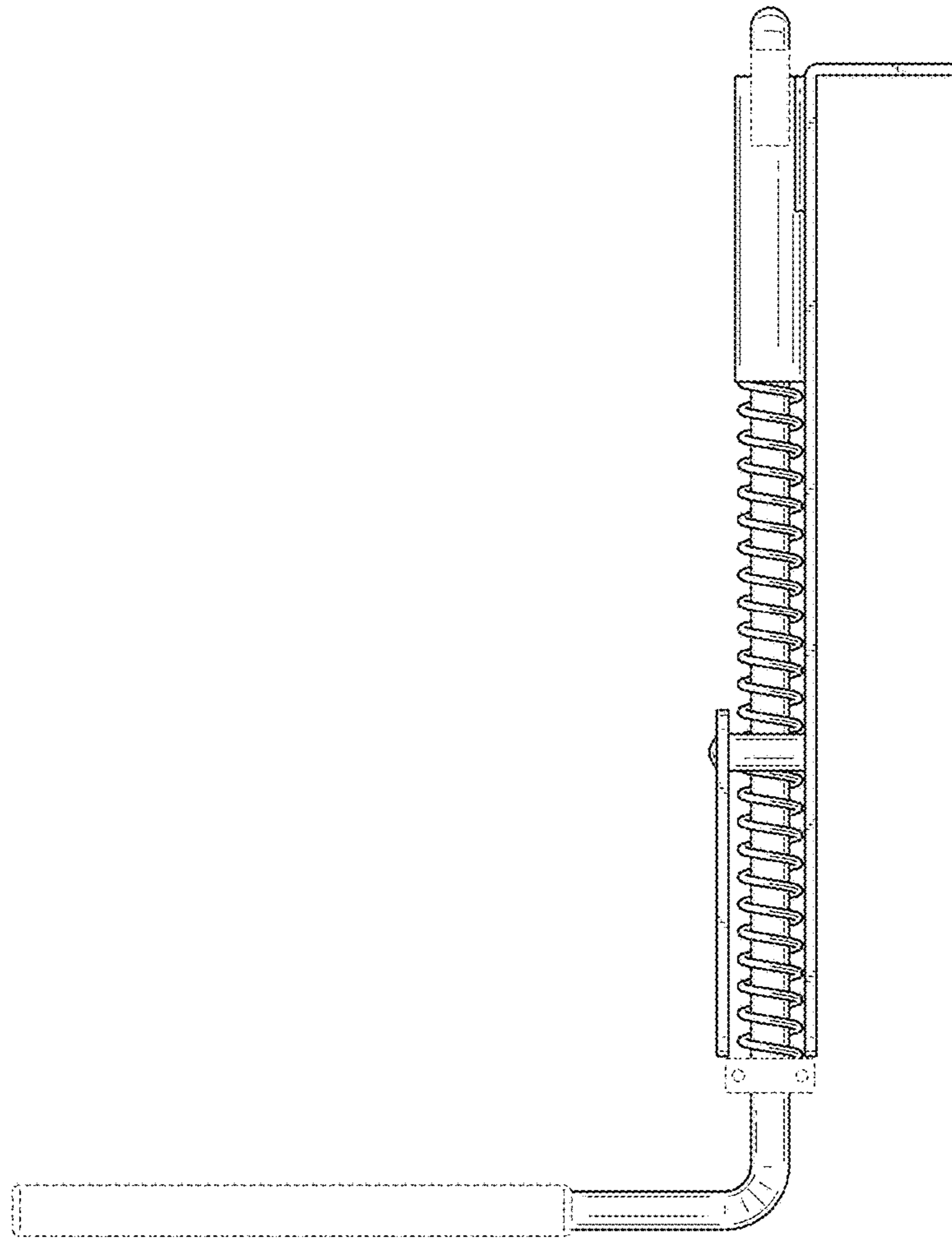


FIG. 5

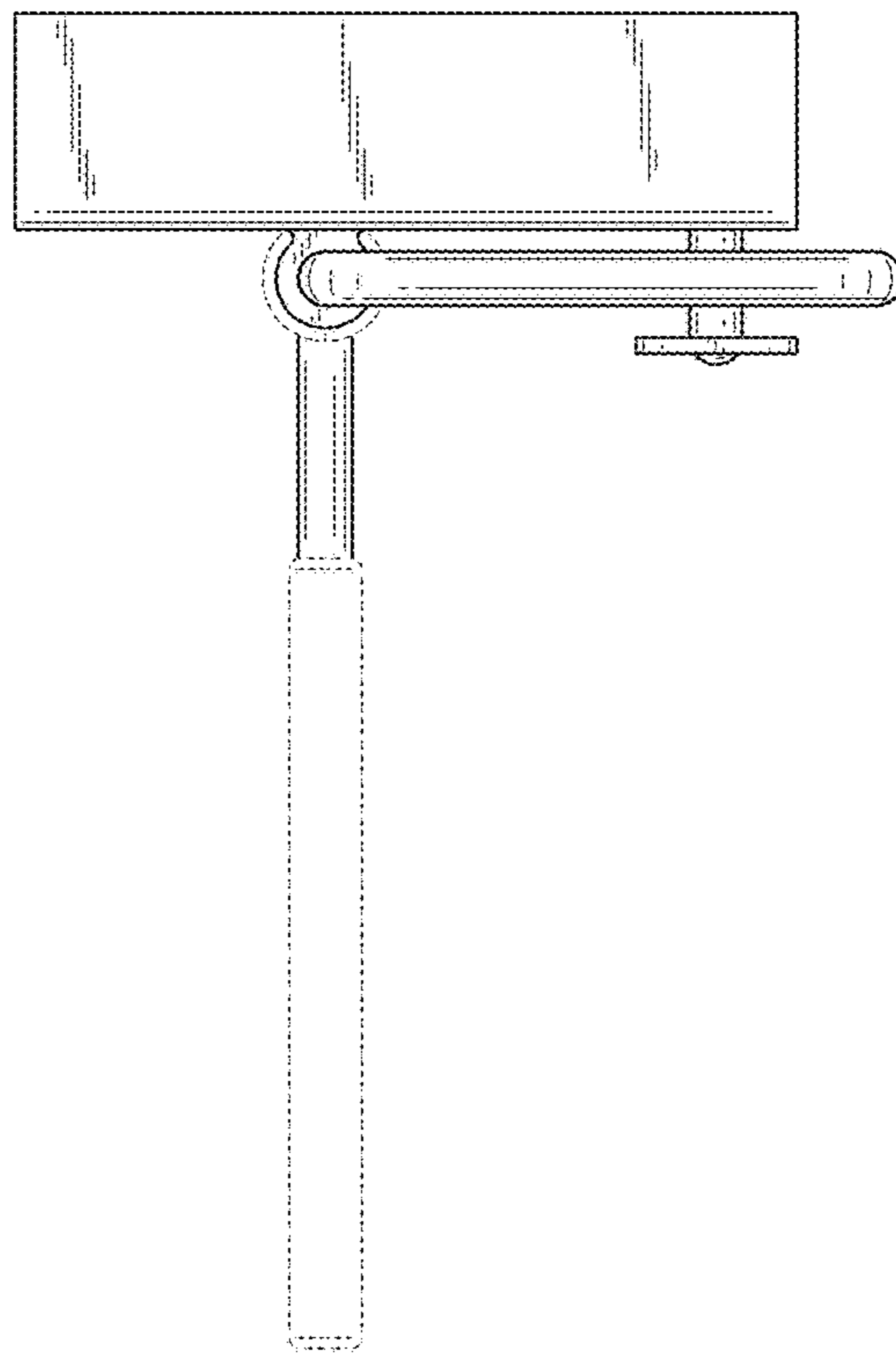


FIG. 6

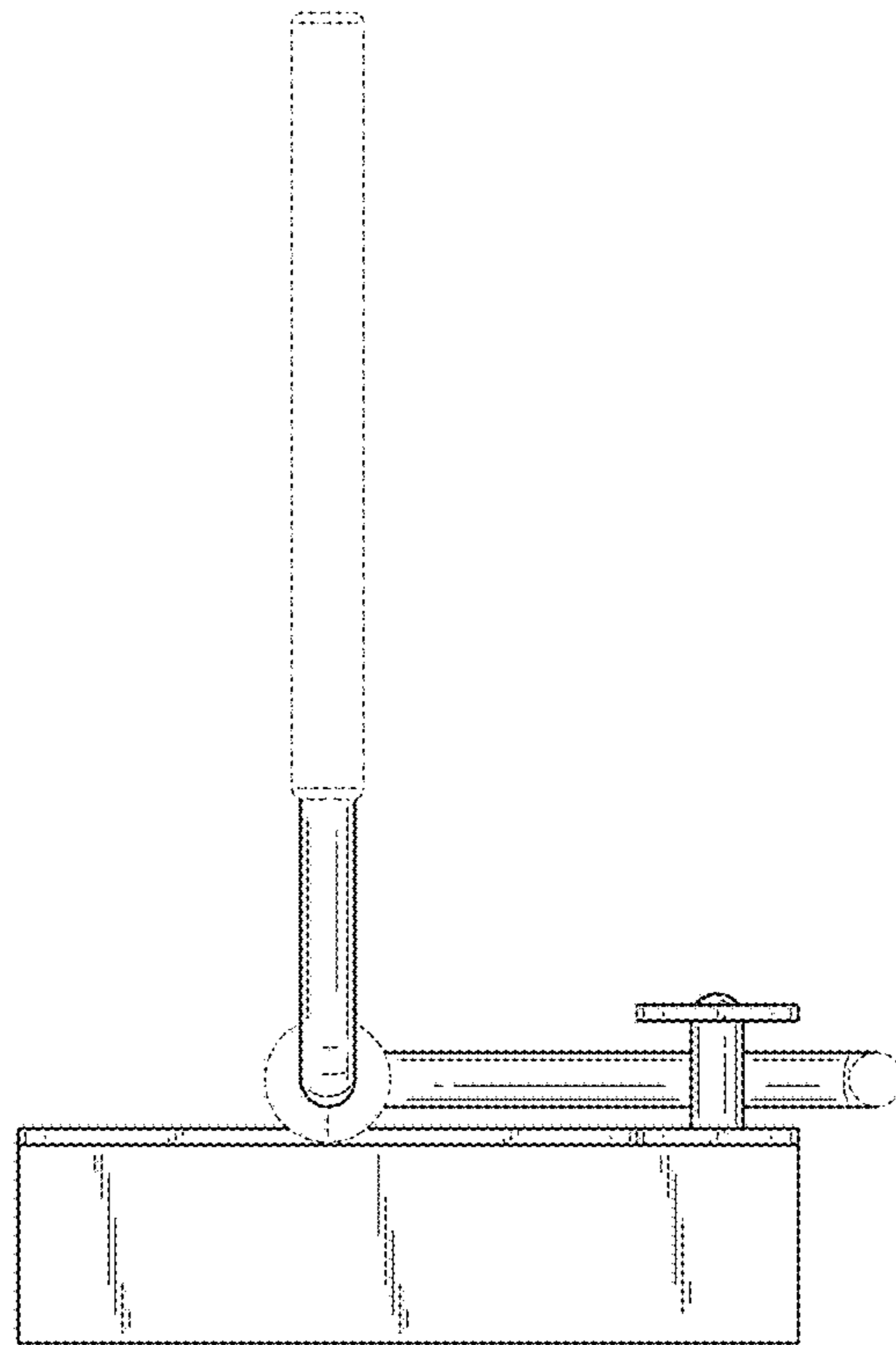


FIG. 7

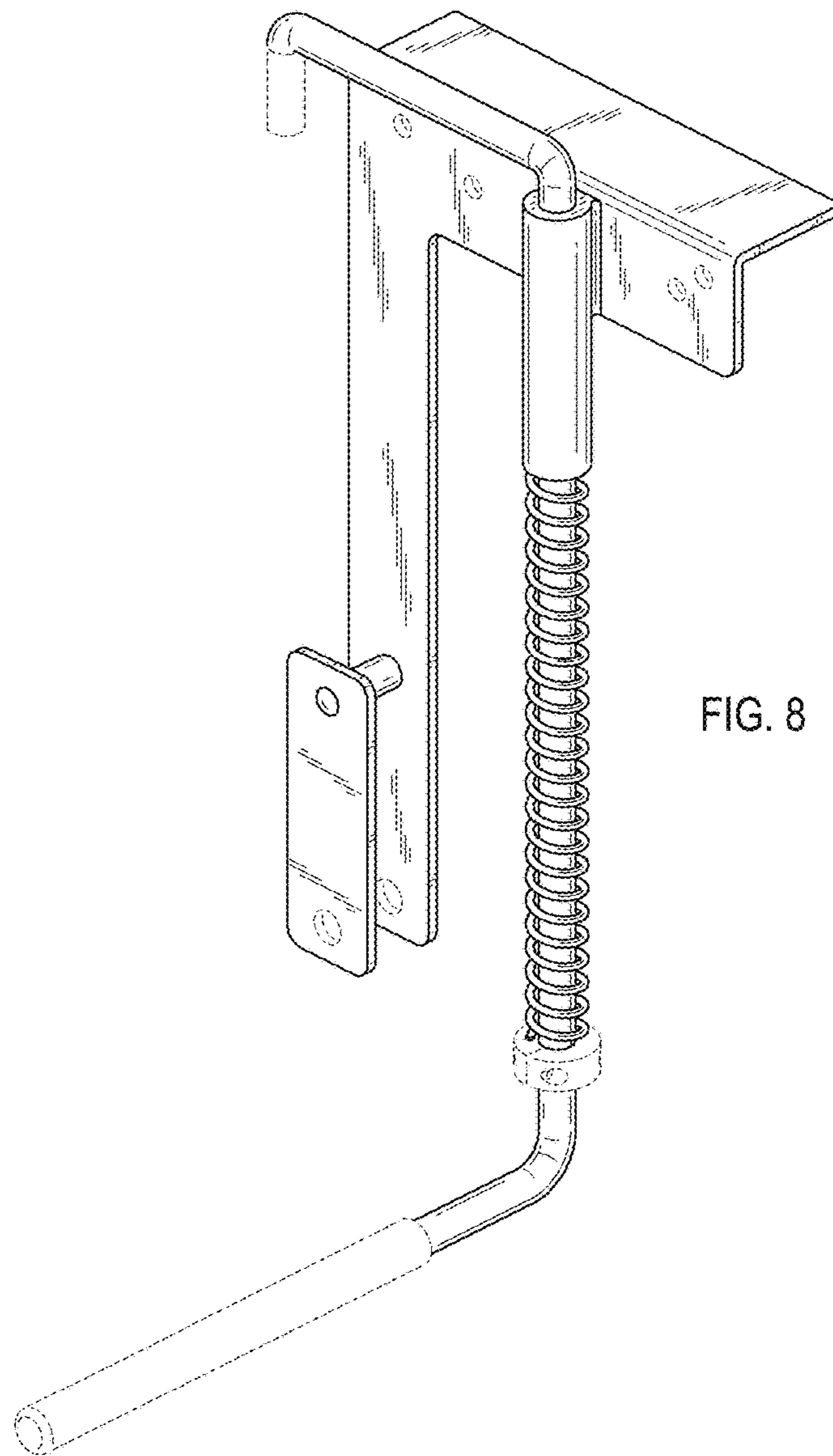


FIG. 8

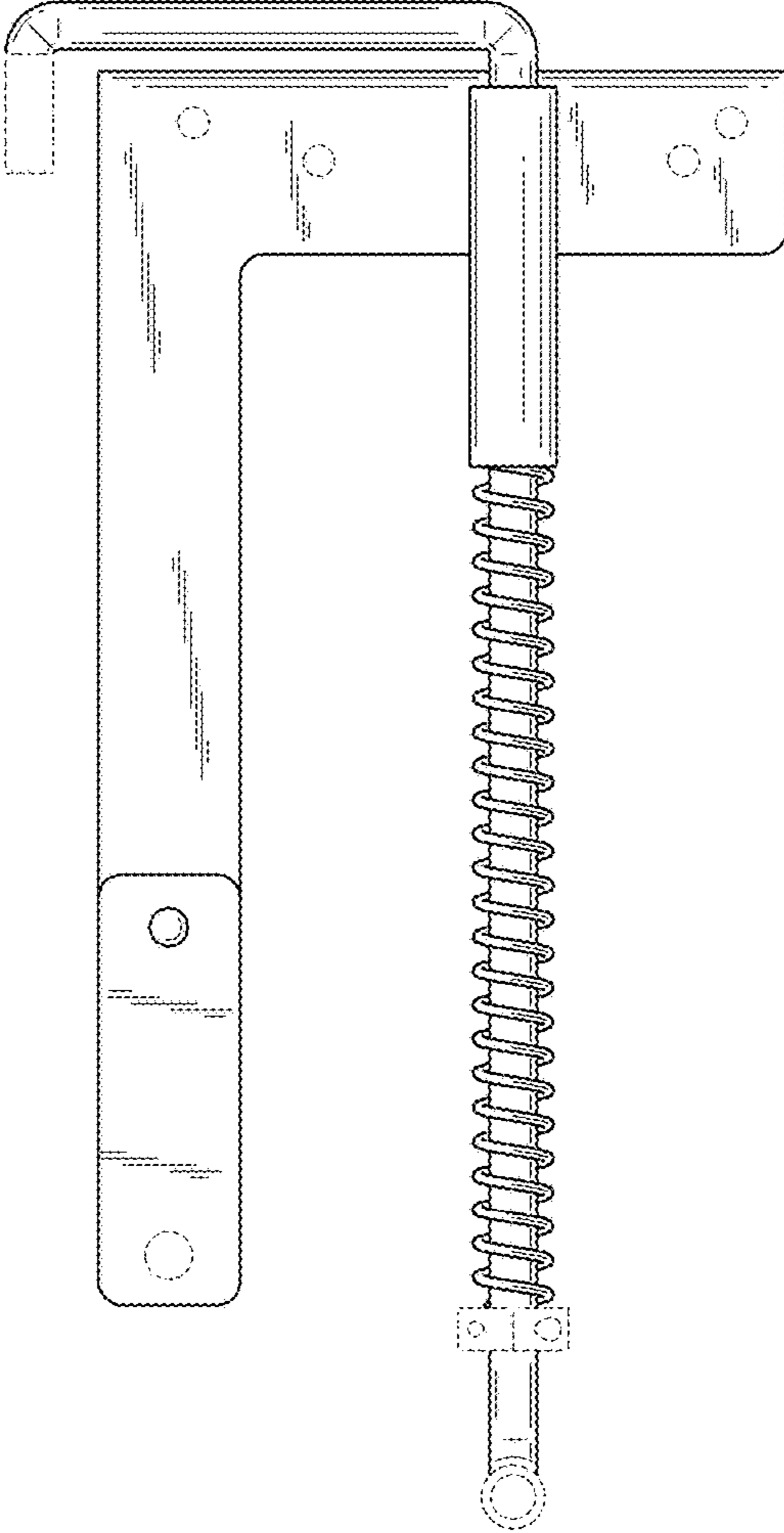


FIG. 9

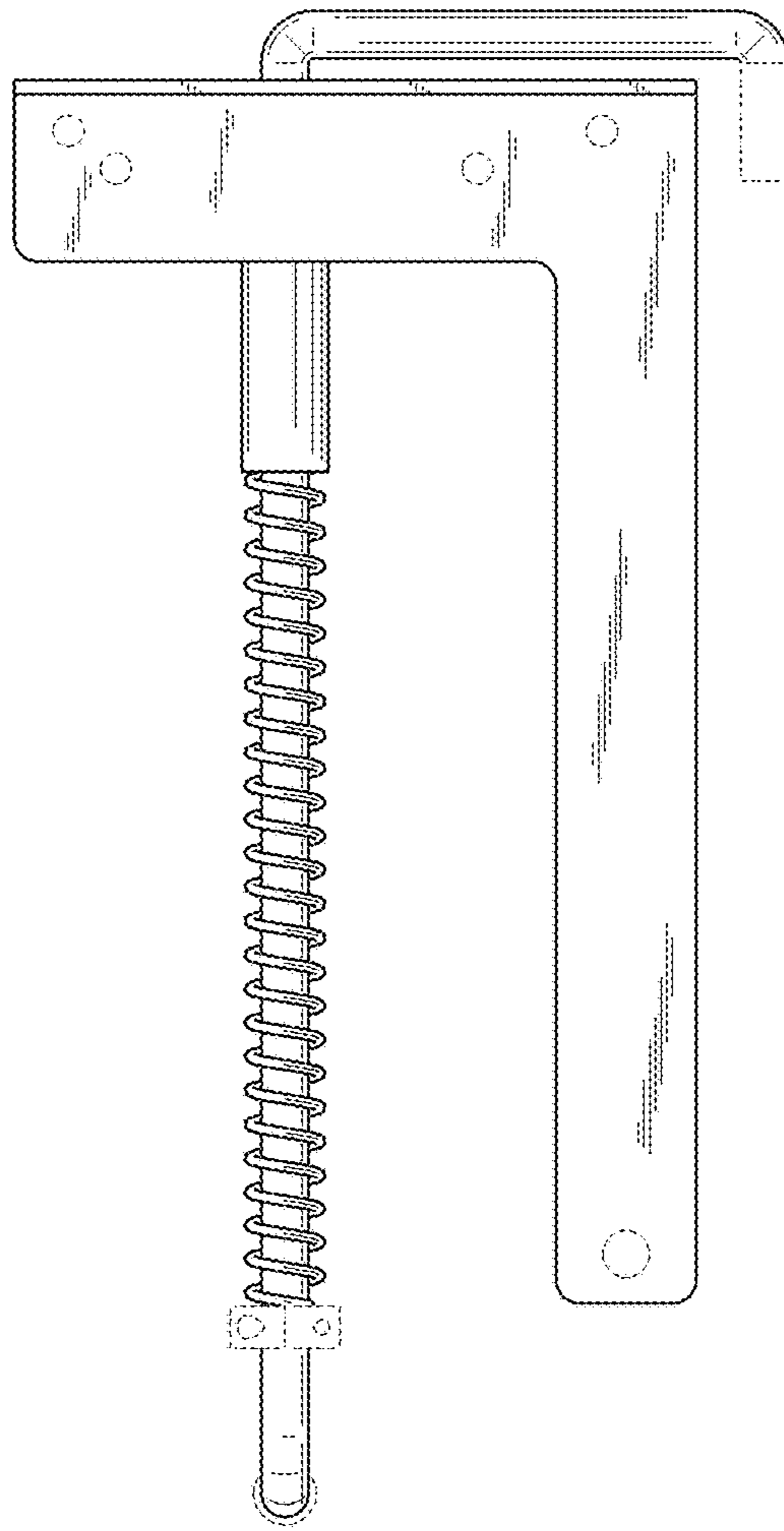


FIG. 10

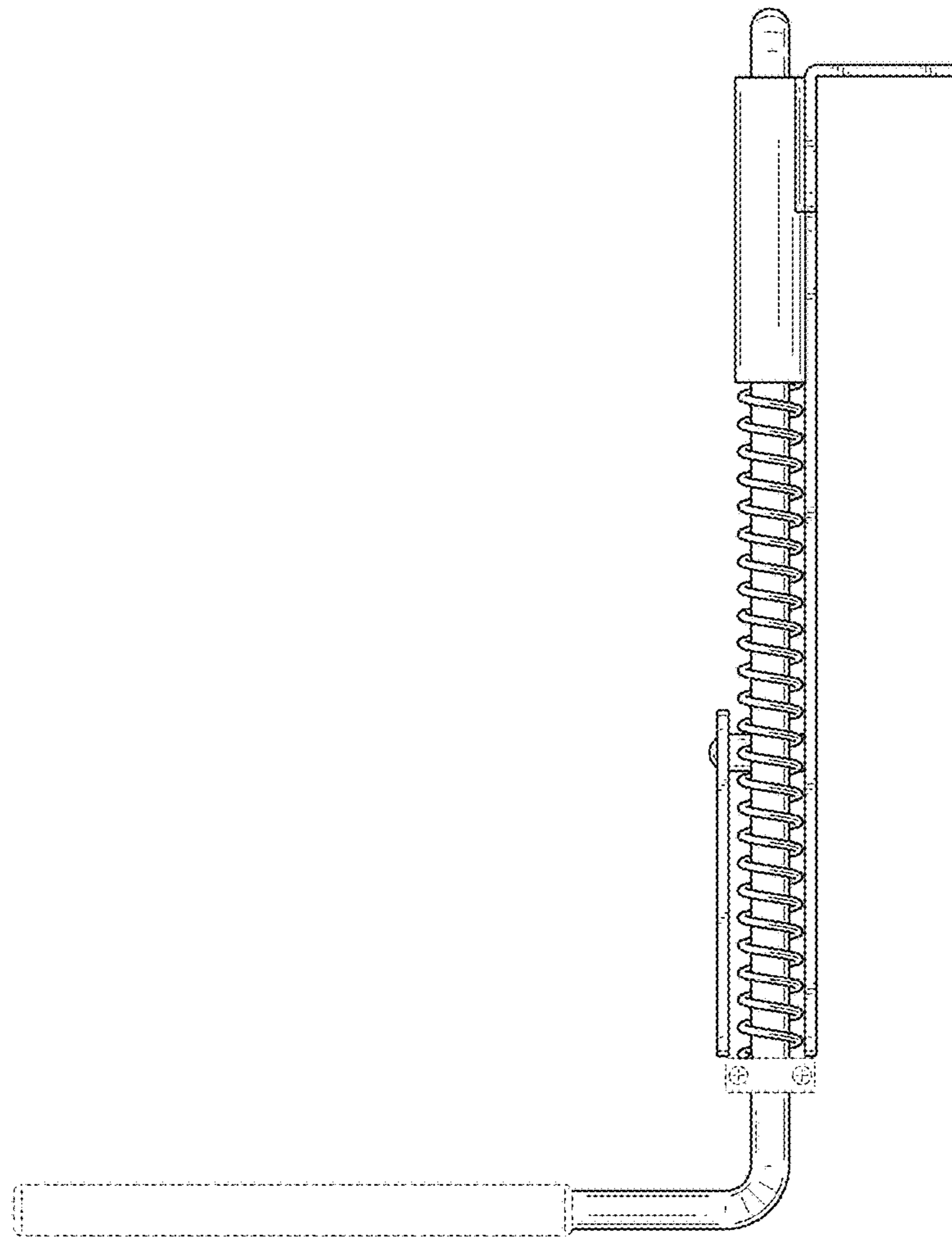


FIG. 11

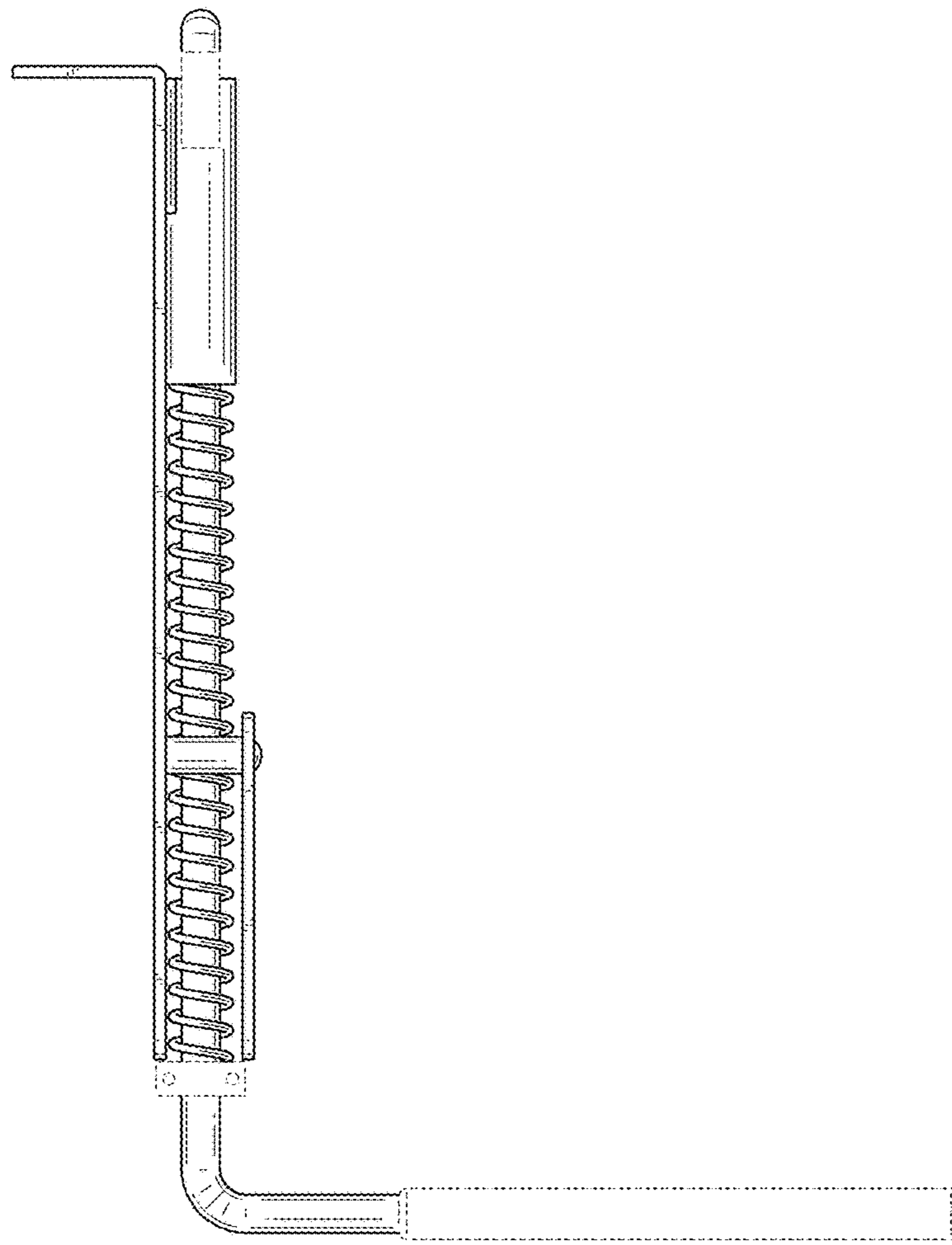


FIG. 12

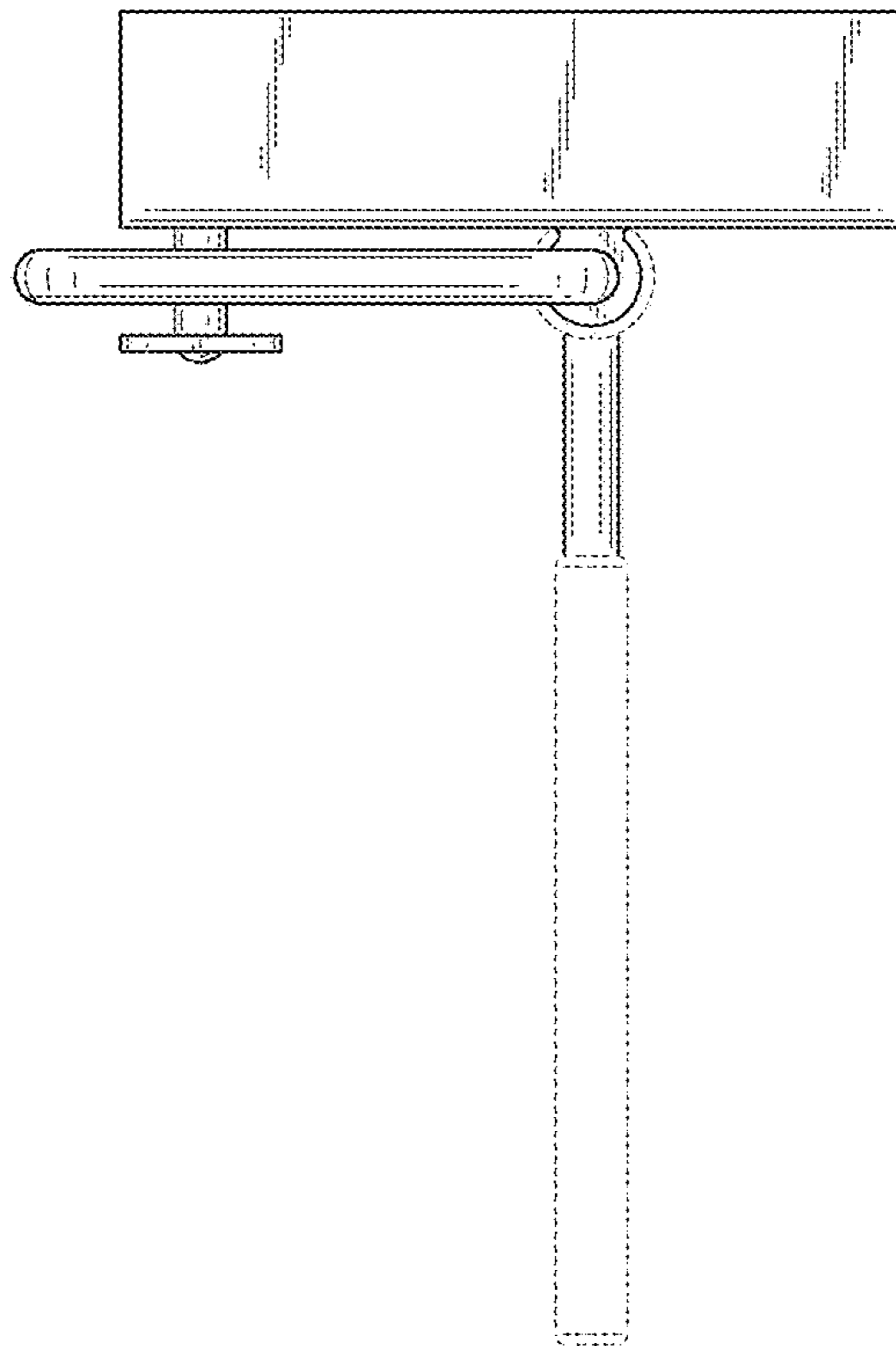


FIG. 13

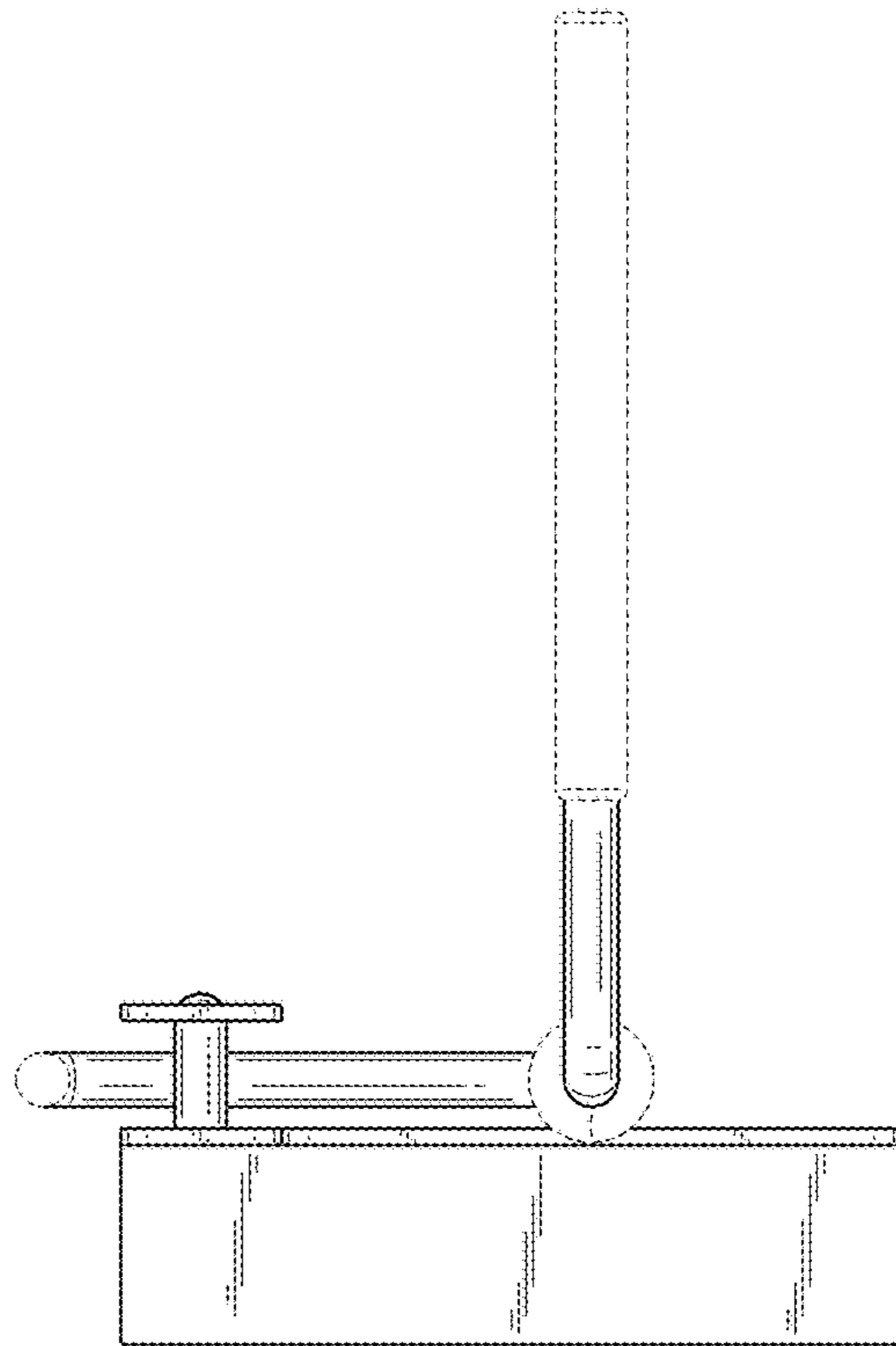


FIG. 14