



US00D849504S

(12) **United States Design Patent**
Musatto

(10) **Patent No.:** **US D849,504 S**

(45) **Date of Patent:** **** May 28, 2019**

(54) **HANDLE**

(71) Applicant: **Davies Molding L.L.C.**, Carol Stream, IL (US)

(72) Inventor: **Jason Musatto**, Genoa, IL (US)

(73) Assignee: **Davies Molding L.L.C.**, Carol Stream, IL (US)

(**) Term: **15 Years**

(21) Appl. No.: **29/667,560**

(22) Filed: **Oct. 23, 2018**

Related U.S. Application Data

(62) Division of application No. 29/600,703, filed on Apr. 14, 2017, now Pat. No. Des. 832,674.

(51) **LOC (11) Cl.** **08-06**

(52) **U.S. Cl.**
USPC **D8/315**

(58) **Field of Classification Search**
USPC D8/1, 6-13, 94, 107, 315, 317, 303, 321, D8/322; D6/522, 524, 663, 698, 705; D3/272, 902; D7/550.1, 552.1, 590, 603, D7/609, 388, 334; D15/69, 80, 142, 199
CPC .. A01B 1/22; A01D 1/14; A47B 95/02; A47B 2095/022; A47B 2095/023; A47B 2095/024; A47B 2095/025; A47B 2220/0047; F24C 15/00; F24C 15/02; F25D 23/00; F25D 23/02

See application file for complete search history.

(56) **References Cited**

U.S. PATENT DOCUMENTS

D824,238 S * 7/2018 Grasselli D8/315
D832,674 S * 11/2018 Musatto D8/315

* cited by examiner

Primary Examiner — Barbara Fox

Assistant Examiner — Kristin E Reed

(74) *Attorney, Agent, or Firm* — Brinks Gilson & Liono

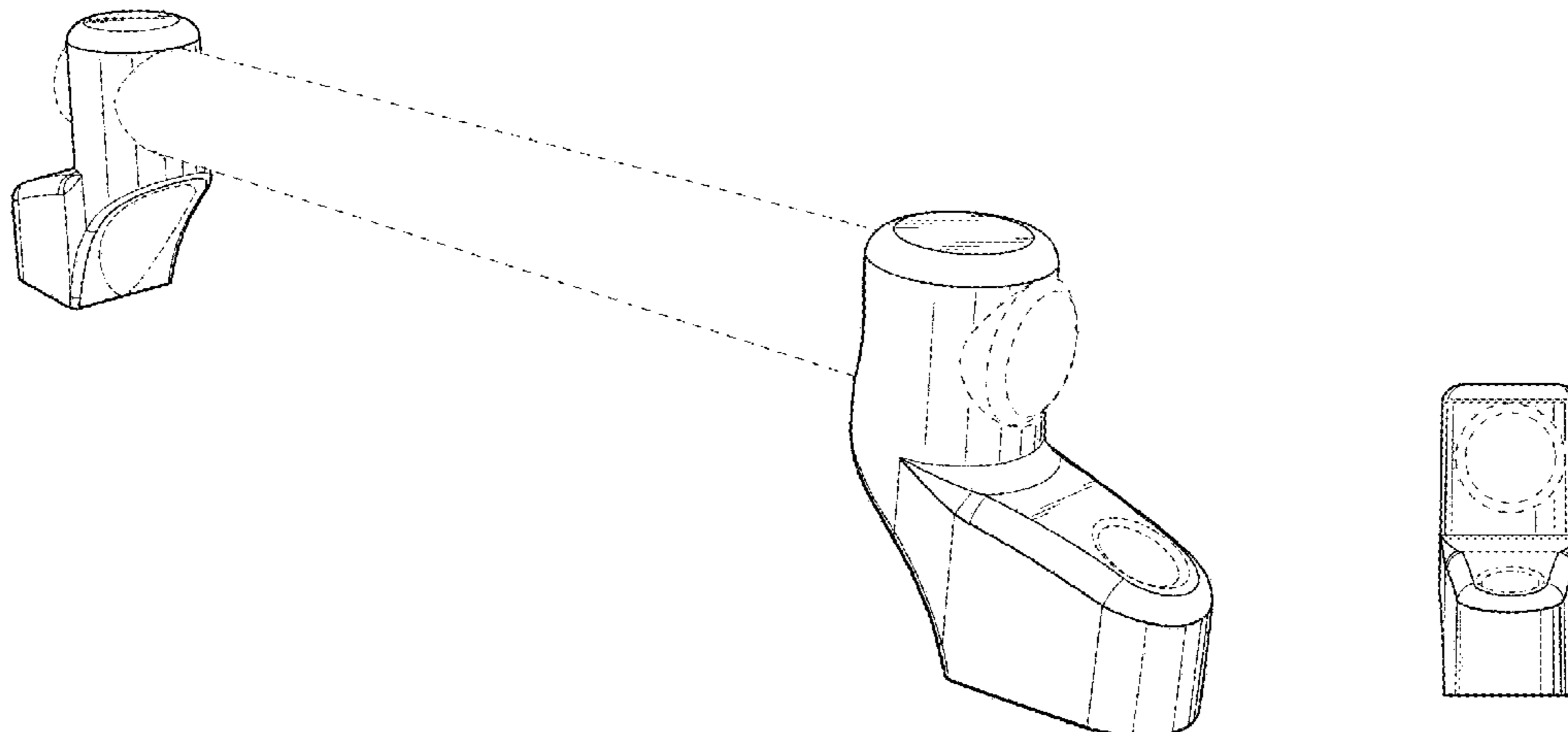
(57) **CLAIM**

I claim the ornamental design for a handle, as shown and described.

DESCRIPTION

FIG. 1 is a top perspective view of a handle showing the new design;
FIG. 2 is a front elevation view thereof, where a rear elevation view is a mirror image thereof;
FIG. 3 is a right side elevation view thereof, where the left side elevation view is identical thereto;
FIG. 4 is a top plan view thereof; and,
FIG. 5 is a bottom plan view thereof.
The dashed broken lines shown in the drawings depict portions of the handle that form no part of the claimed design.

1 Claim, 3 Drawing Sheets



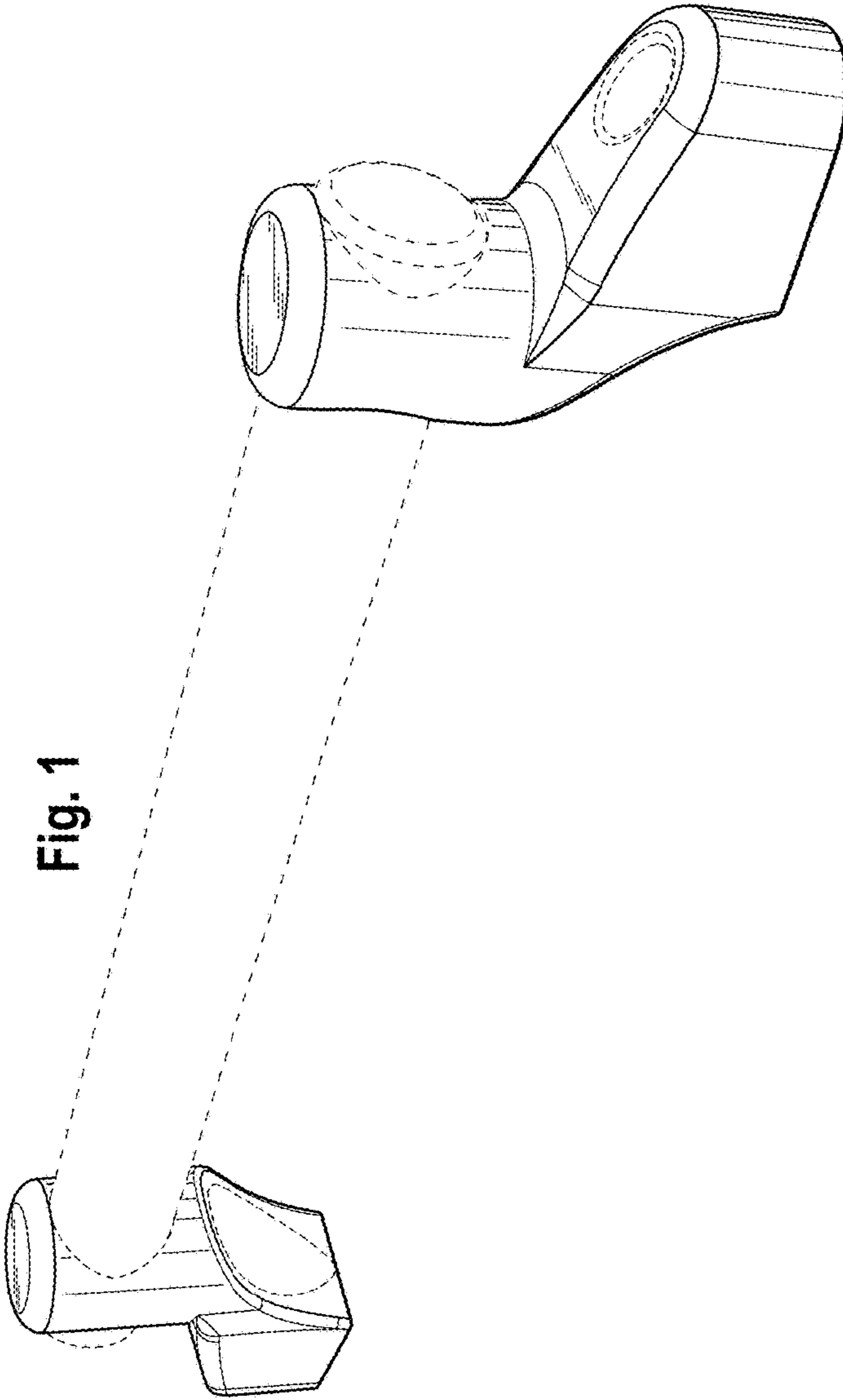


Fig. 1

Fig. 2

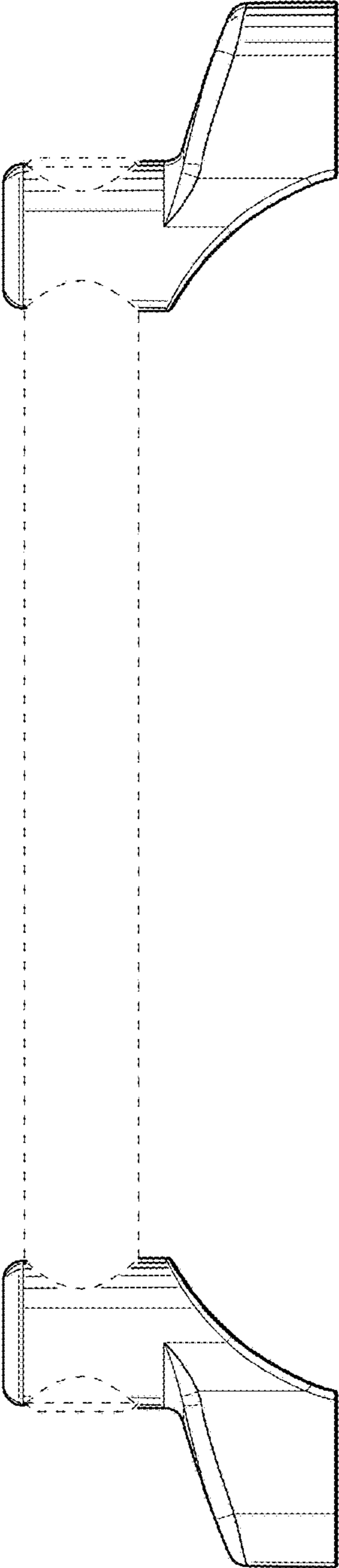


Fig. 3

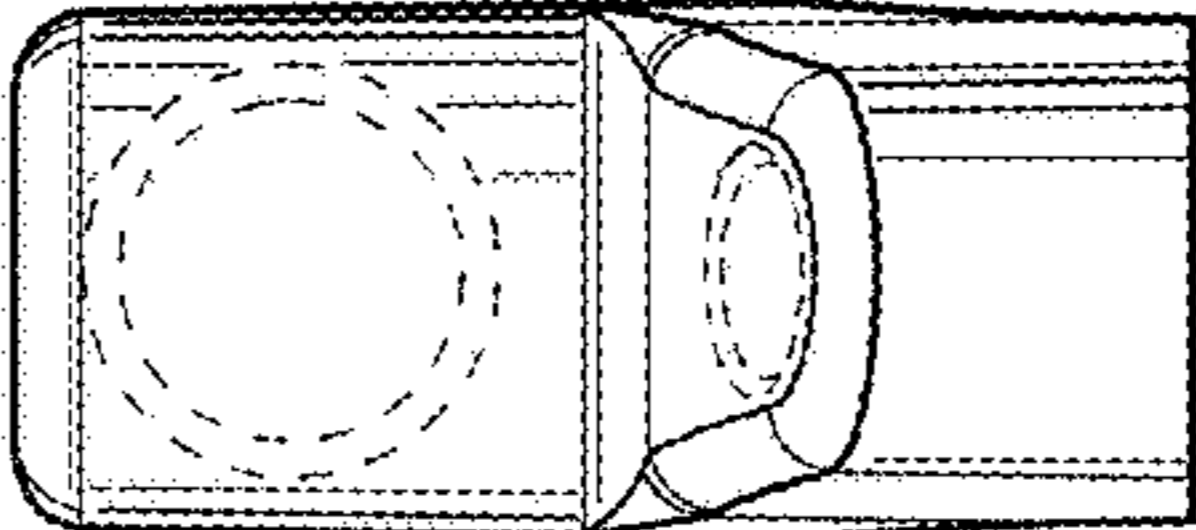


Fig. 4

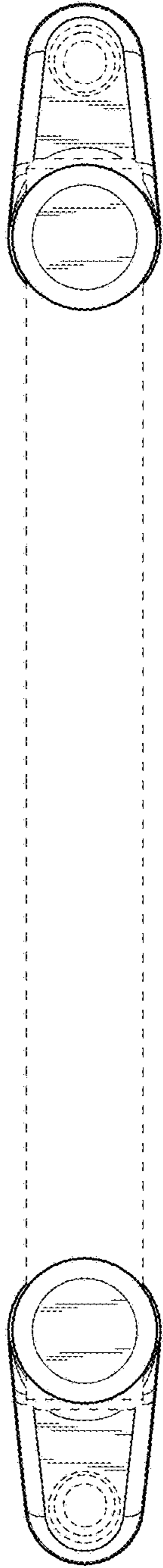


Fig. 5

