

US00D849501S

(12) **United States Design Patent**
Wilson, II

(10) **Patent No.:** **US D849,501 S**

(45) **Date of Patent:** **** May 28, 2019**

(54) **ADJUSTMENT KNOB ASSEMBLY**

(71) Applicant: **Hunter Engineering Company, St. Louis, MO (US)**

(72) Inventor: **James D. Wilson, II, Collinsville, IL (US)**

(73) Assignee: **Hunter Engineering Company, St. Louis, MO (US)**

(**) Term: **15 Years**

(21) Appl. No.: **29/639,780**

(22) Filed: **Mar. 8, 2018**

(51) **LOC (11) Cl.** **08-06**

(52) **U.S. Cl.**
USPC **D8/302; D8/312**

(58) **Field of Classification Search**
USPC D8/107, 300, 301, 307, 310, 311, 312;
D23/250, 421
CPC ... Y10T 292/57; Y10T 292/82; Y10T 16/469;
Y10T 16/44; Y10T 16/476; Y10T
74/2084; Y10T 292/85; Y10T 74/2087;
Y10T 16/4713; Y10T 16/506; Y10T
74/20876; Y10T 74/20612; Y10T
70/5765; Y10T 16/459; Y10T 74/2066;
Y10T 16/487; Y10T 74/20822

See application file for complete search history.

(56) **References Cited**

U.S. PATENT DOCUMENTS

D93,624 S *	10/1934	Kasch	D8/312
D119,892 S *	4/1940	Ressinger	D8/312
D143,807 S *	2/1946	Eastham	D8/312
D162,686 S *	3/1951	Petterson	D8/312
D176,508 S *	1/1956	Enos	D8/311
D298,410 S *	11/1988	Duke	D8/300
D423,514 S *	4/2000	Shindo	D14/240

D543,828 S *	6/2007	Strutin-Belinoff	D8/310
D588,109 S *	3/2009	Miyazato	D14/217
D589,776 S *	4/2009	Camp	D8/310
D600,094 S *	9/2009	Hwang	D8/312
D604,216 S *	11/2009	Kraus	D12/192
D632,294 S *	2/2011	Frank	D14/413
D676,551 S *	2/2013	Desai	D24/129
D715,126 S *	10/2014	Kim	D7/393
D779,454 S *	2/2017	Crescenze	D14/144
D786,650 S *	5/2017	Lira-Nunez	D8/311
D796,293 S *	9/2017	Alliss	D8/310
2009/0084220 A1 *	4/2009	Morizono	B60H 1/0065 74/501.6
2011/0035902 A1 *	2/2011	Ikeda	H01H 19/6355 16/110.1

(Continued)

Primary Examiner — Lauren R Calve

(74) *Attorney, Agent, or Firm* — Sandberg Phoenix & von Gontard, P.C.

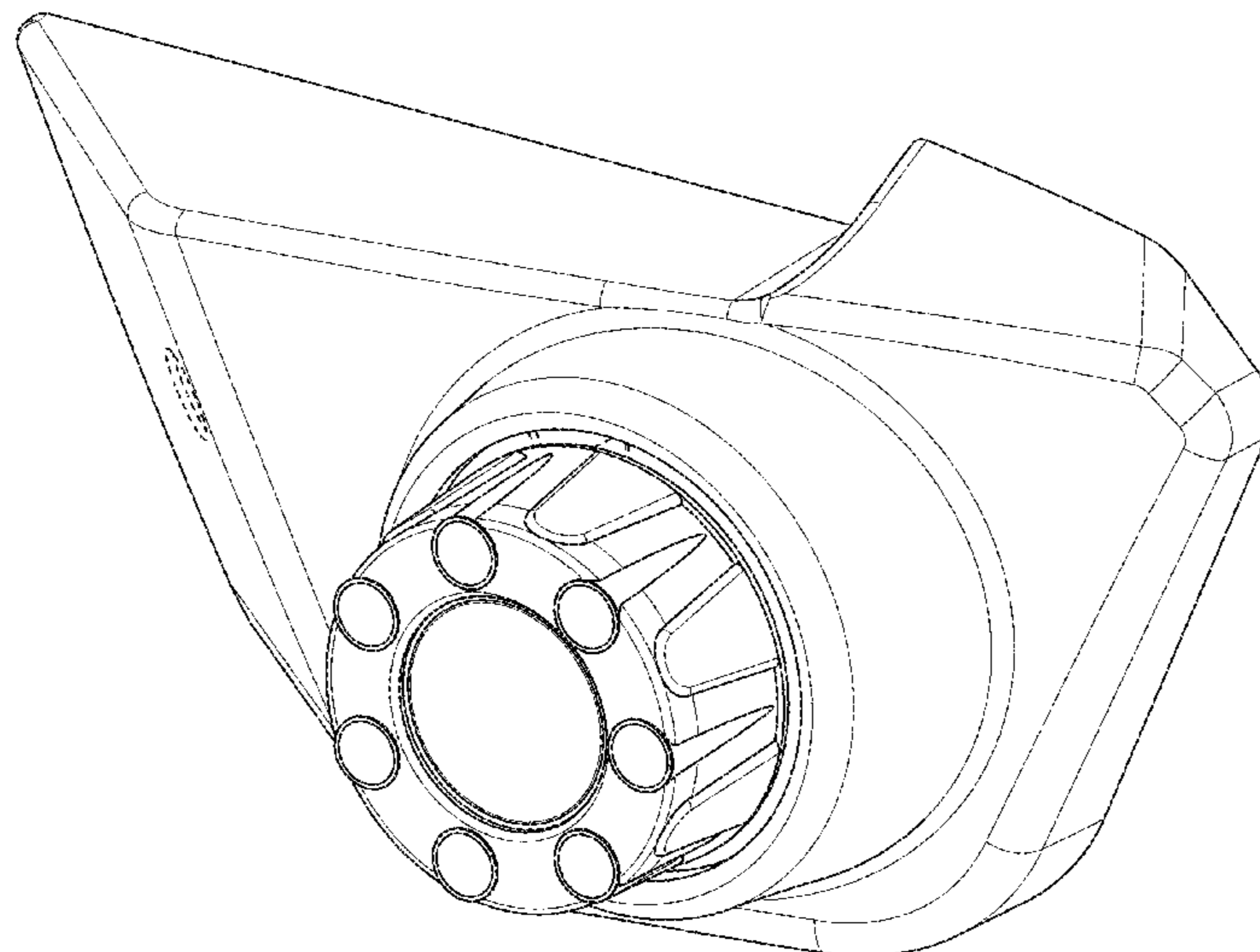
(57) **CLAIM**

The ornamental design for an adjustment knob assembly, as shown and described.

DESCRIPTION

FIG. 1 is a top perspective view of an adjustment knob assembly;
 FIG. 2 is a front view of the adjustment knob assembly;
 FIG. 3 is a rear view of the adjustment knob assembly;
 FIG. 4 is a right side view of the adjustment knob assembly;
 FIG. 5 is a left side view of the adjustment knob assembly;
 FIG. 6 is top plan view of the adjustment knob assembly;
 FIG. 7 is bottom plan view of the adjustment knob assembly;
 and,
 FIG. 8 is a perspective view of the adjustment knob assembly shown in environmental use installed on a wheel balancer system.
 The broken lines shown within the drawings illustrate features that form no part of the claimed design.

1 Claim, 7 Drawing Sheets



(56)

References Cited

U.S. PATENT DOCUMENTS

2012/0241654 A1* 9/2012 Clifford F16K 31/60
251/96
2014/0096637 A1* 4/2014 Echegaray Martinez
G05G 1/08
74/491
2014/0260776 A1* 9/2014 Burleson G05G 1/10
74/553

* cited by examiner

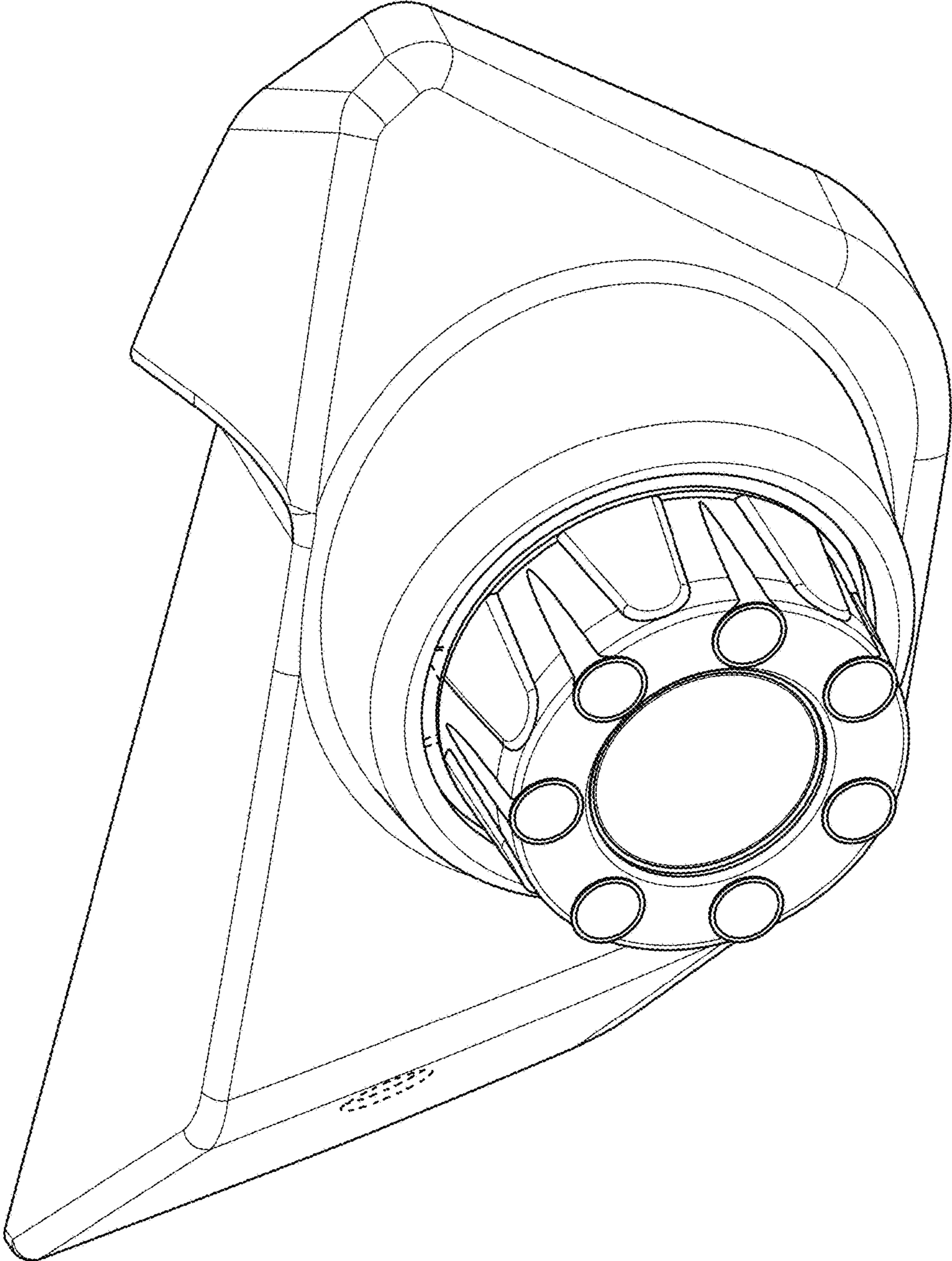


FIGURE 1

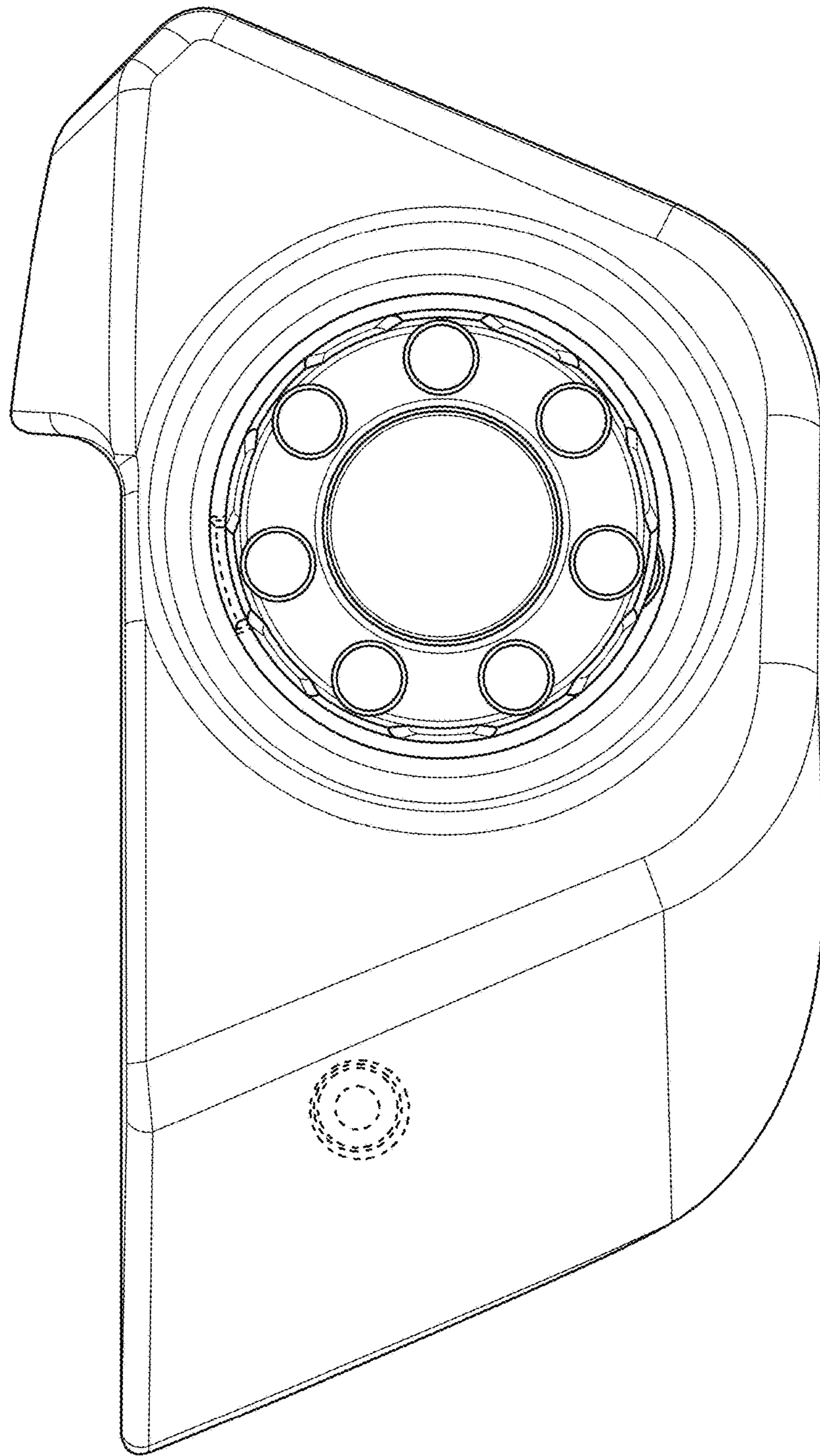


FIGURE 2

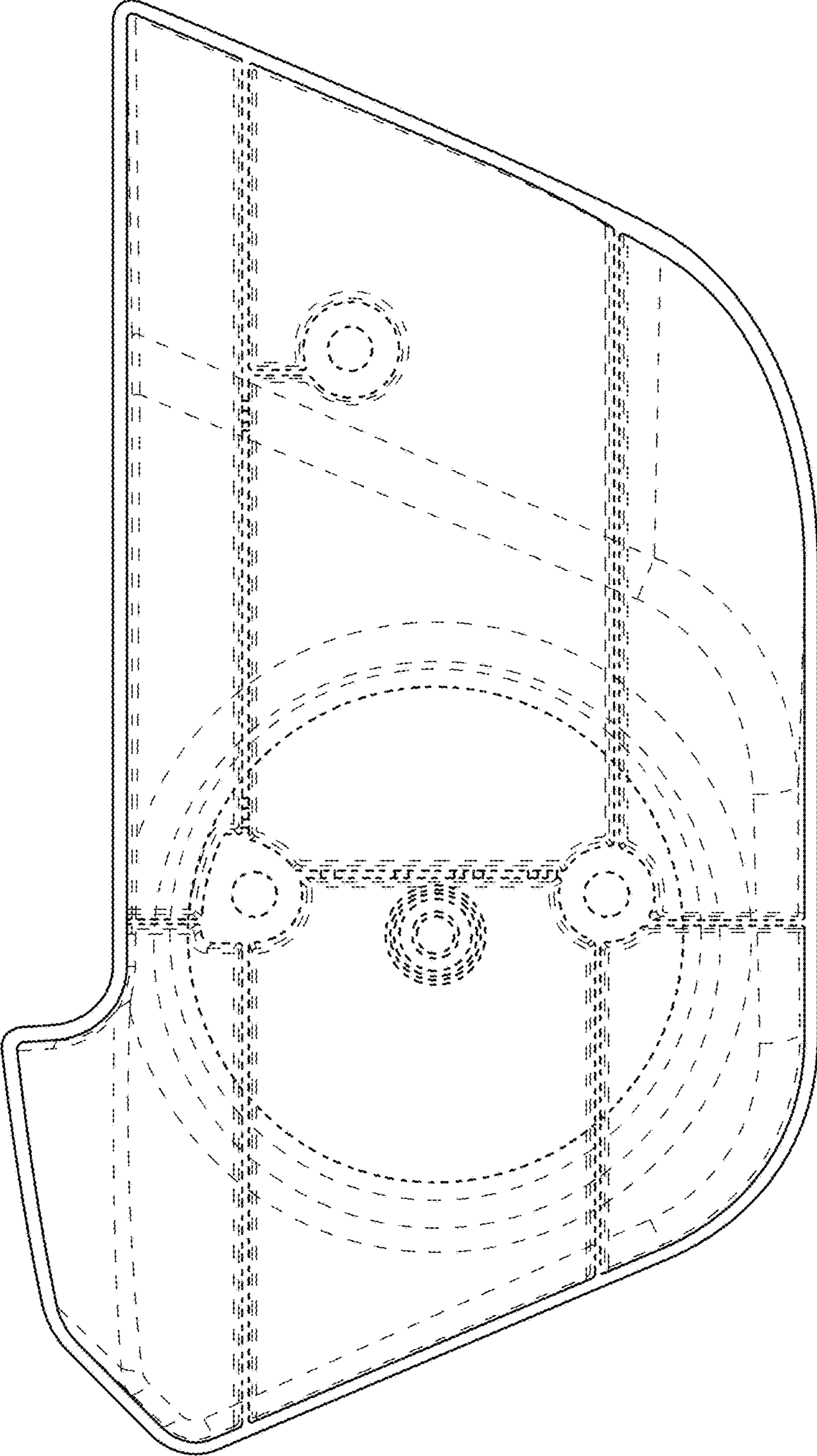


FIGURE 3

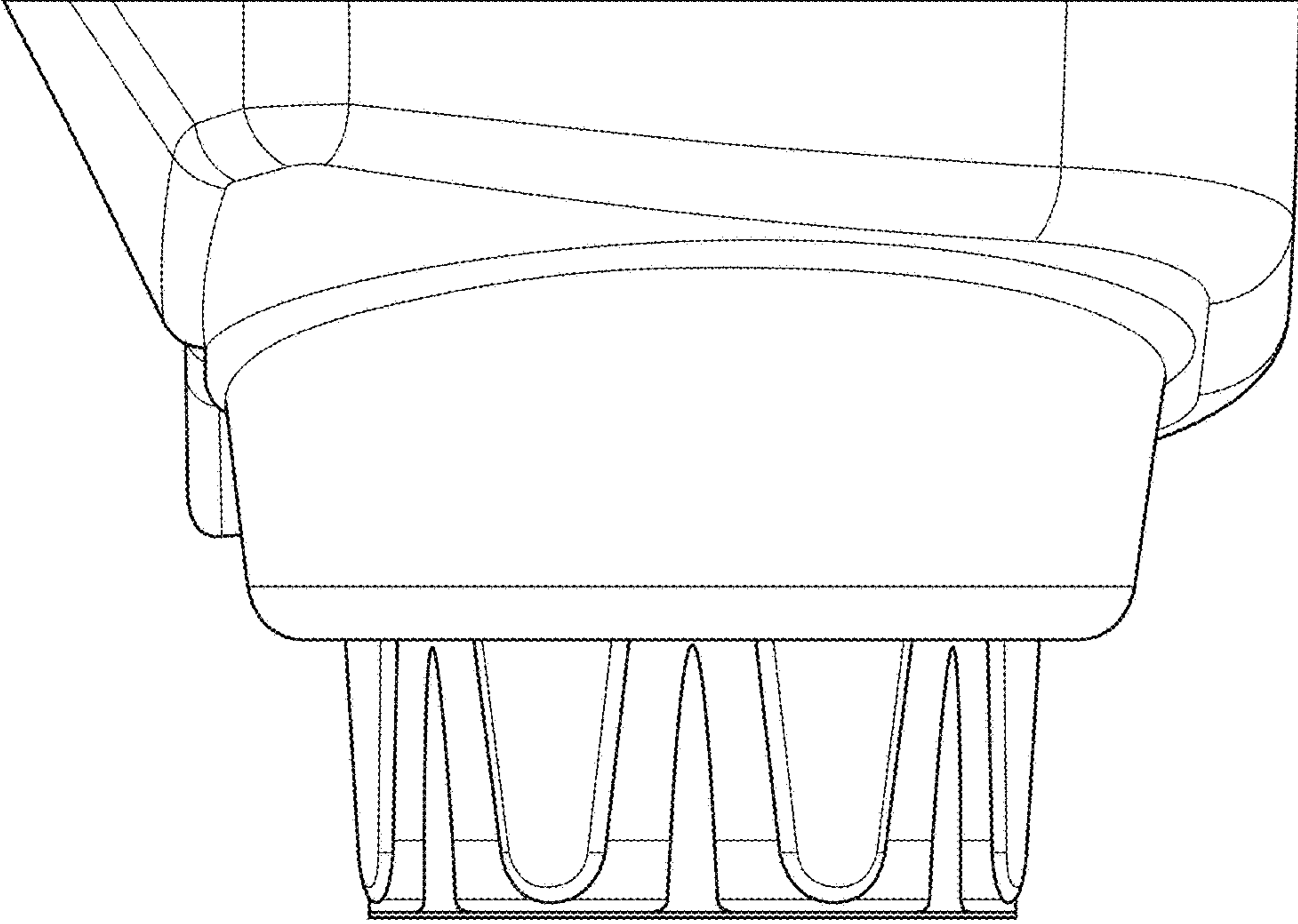


FIGURE 5

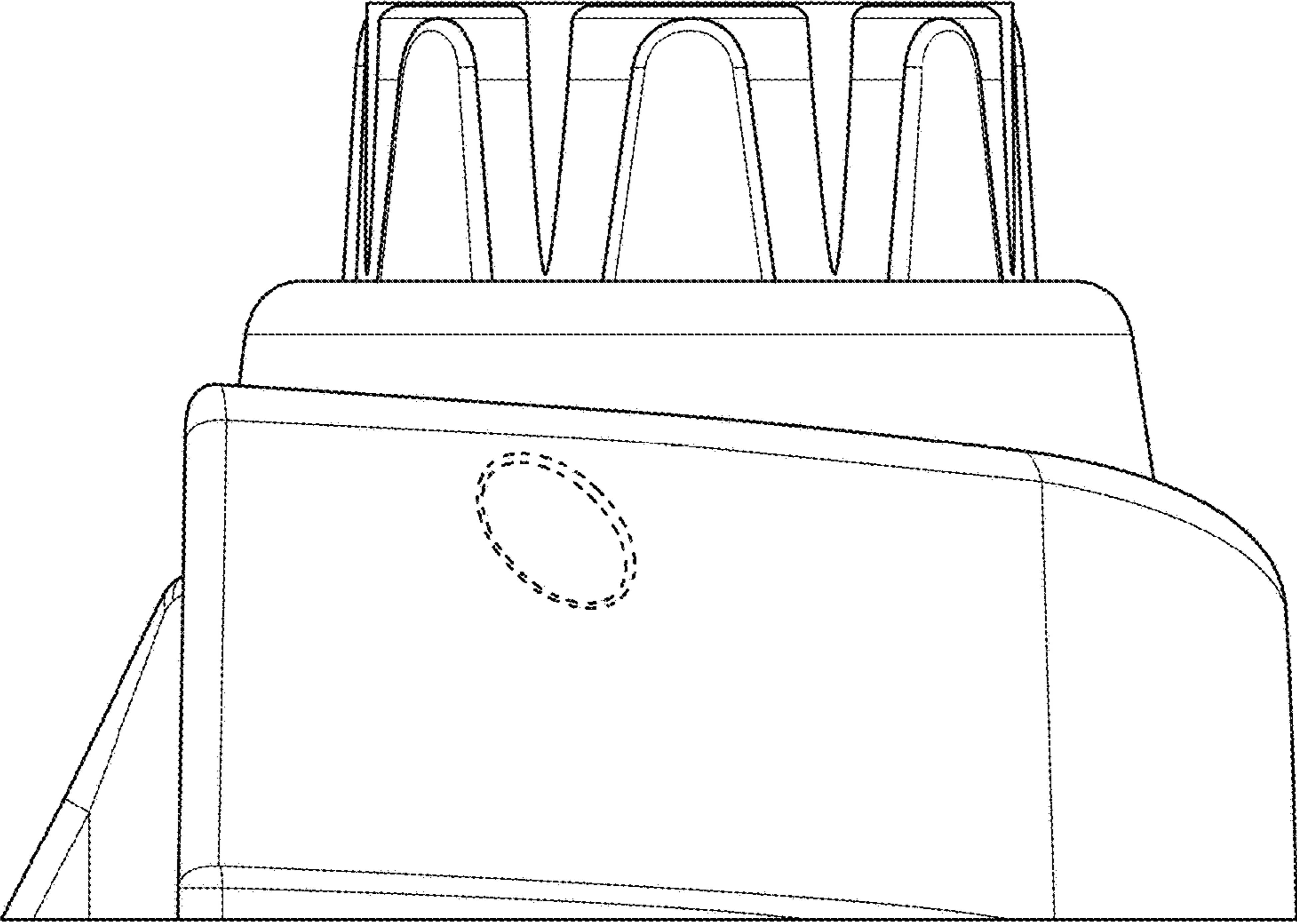


FIGURE 4

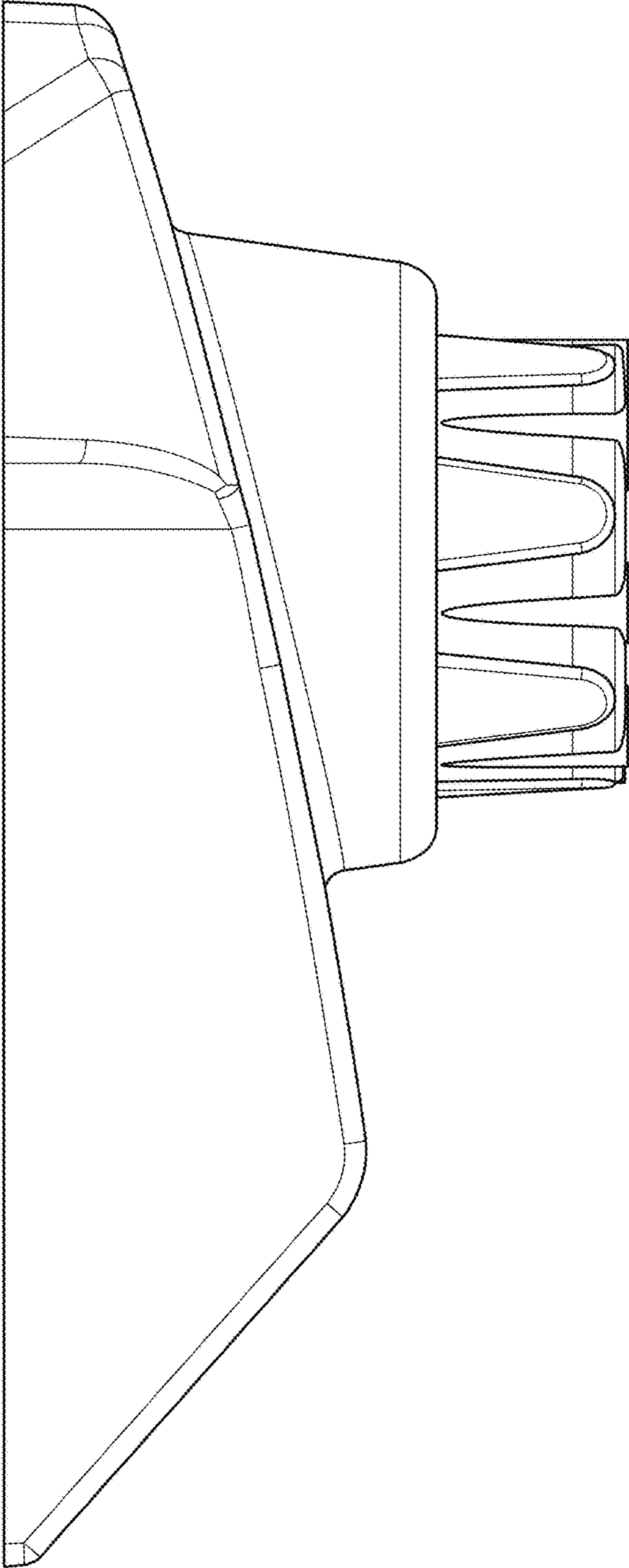


FIGURE 6

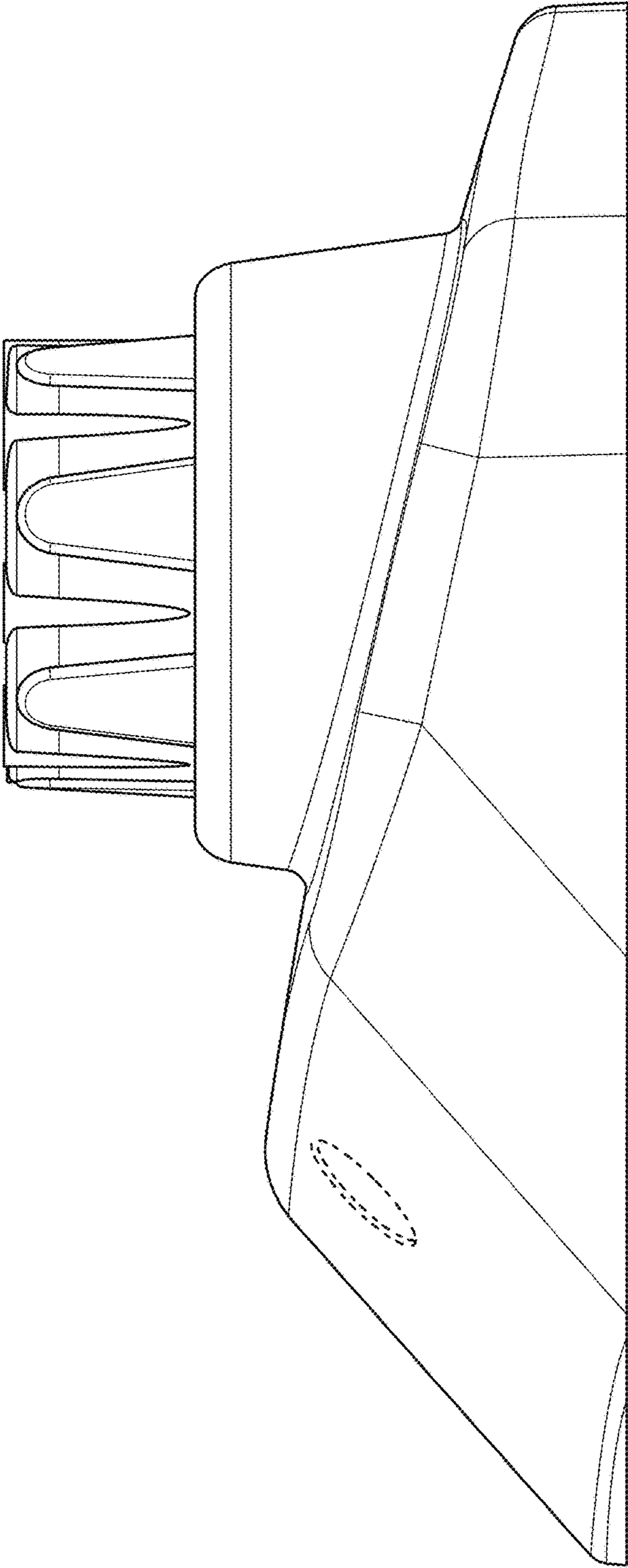


FIGURE 7

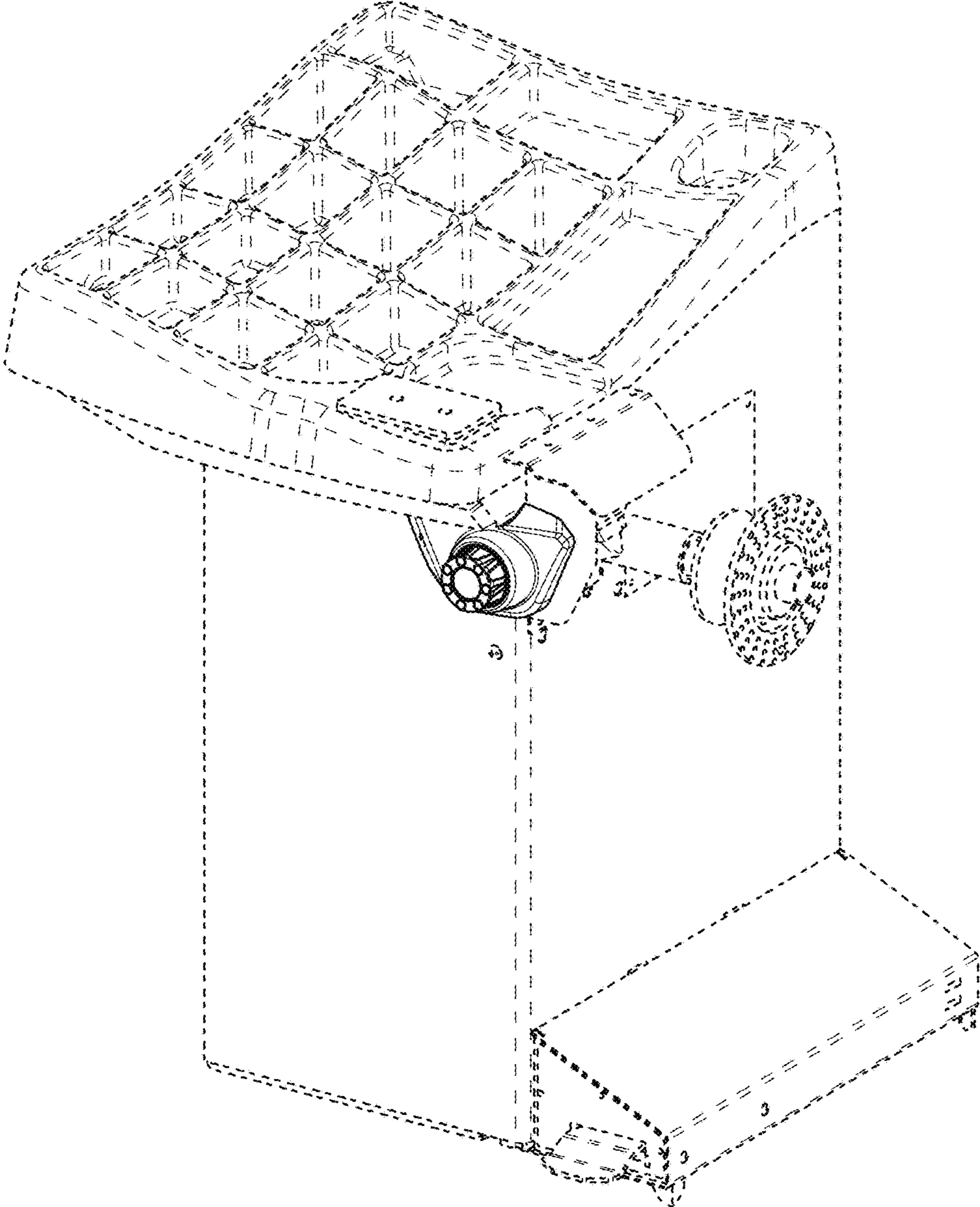


FIGURE 8