



US00D849495S

(12) **United States Design Patent**
Taniguchi et al.

(10) **Patent No.:** **US D849,495 S**

(45) **Date of Patent:** **** May 28, 2019**

(54) **PORTABLE ELECTRIC CIRCULAR SAW**

(56) **References Cited**

(71) Applicant: **Hitachi Koki Co., Ltd.**, Minato-Ku,
Tokyo (JP)

U.S. PATENT DOCUMENTS

(72) Inventors: **Takeshi Taniguchi**, Hitachinaka (JP);
Rui Akiba, Hitachinaka (JP); **Shinji Kuragano**, Hitachinaka (JP)

D705,629 S *	5/2014	Schoch	D8/66
D710,172 S *	8/2014	Tschopp	D8/66
D713,702 S *	9/2014	Perez	D8/66
D756,738 S *	5/2016	Itoh	D8/66
D790,304 S *	6/2017	Waldron	D8/66
D790,305 S *	6/2017	Waldron	D8/66
D790,306 S *	6/2017	Waldron	D8/66
D814,899 S *	4/2018	Suzuki	D8/66
D829,523 S *	10/2018	Kosugi	D8/66

(73) Assignee: **Hitachi Koki Co., Ltd.**, Minato-Ku,
Tokyo (JP)

* cited by examiner

(**) Term: **15 Years**

Primary Examiner — Austin Murphy

(21) Appl. No.: **29/631,353**

(74) *Attorney, Agent, or Firm* — Banner & Witcoff, Ltd.

(22) Filed: **Dec. 29, 2017**

(57) **CLAIM**

The ornamental design for a portable electric circular saw, as shown and described.

(30) **Foreign Application Priority Data**

DESCRIPTION

Jun. 30, 2017 (JP) 2017-014116

(51) **LOC (11) Cl.** **08-03**

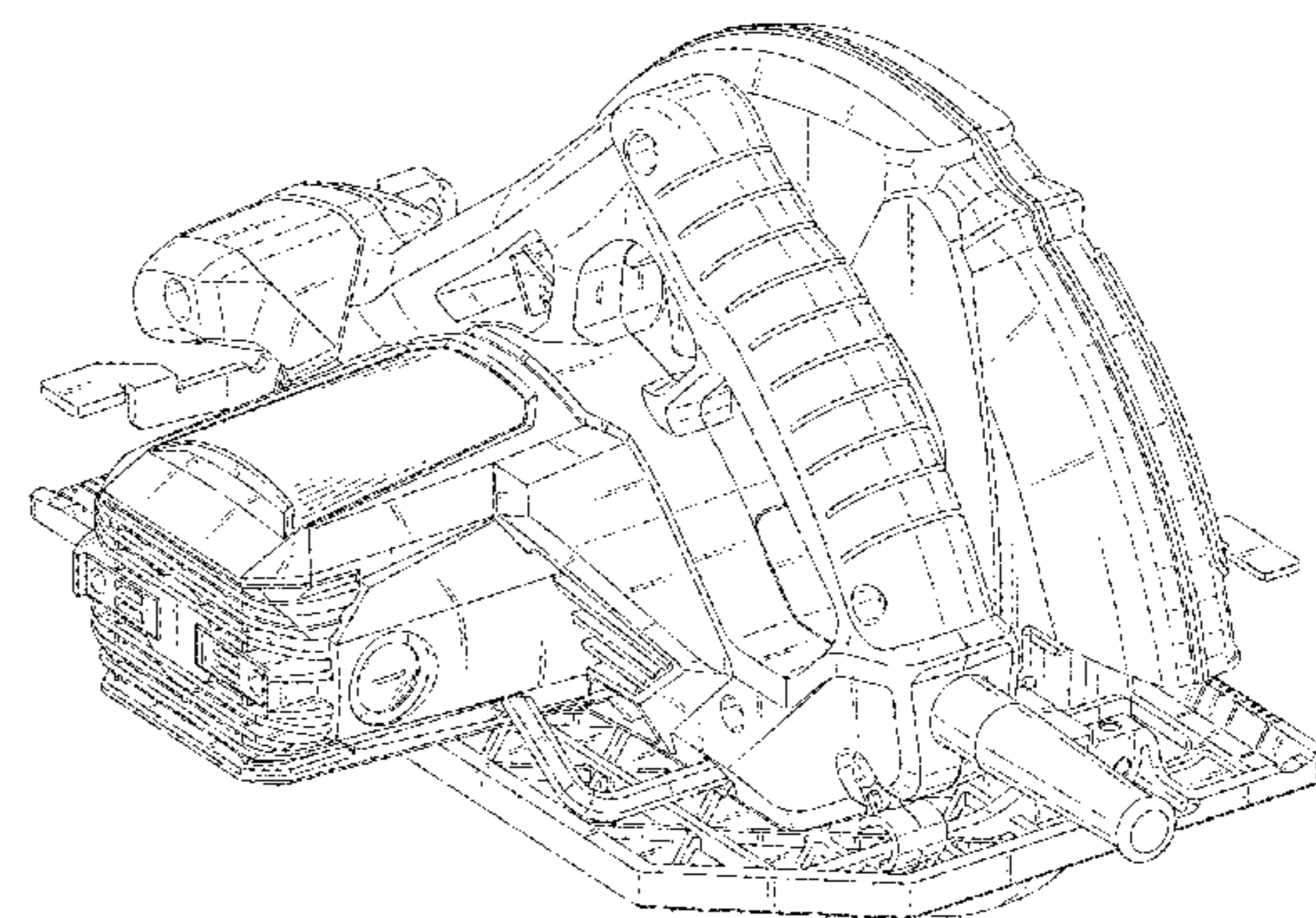
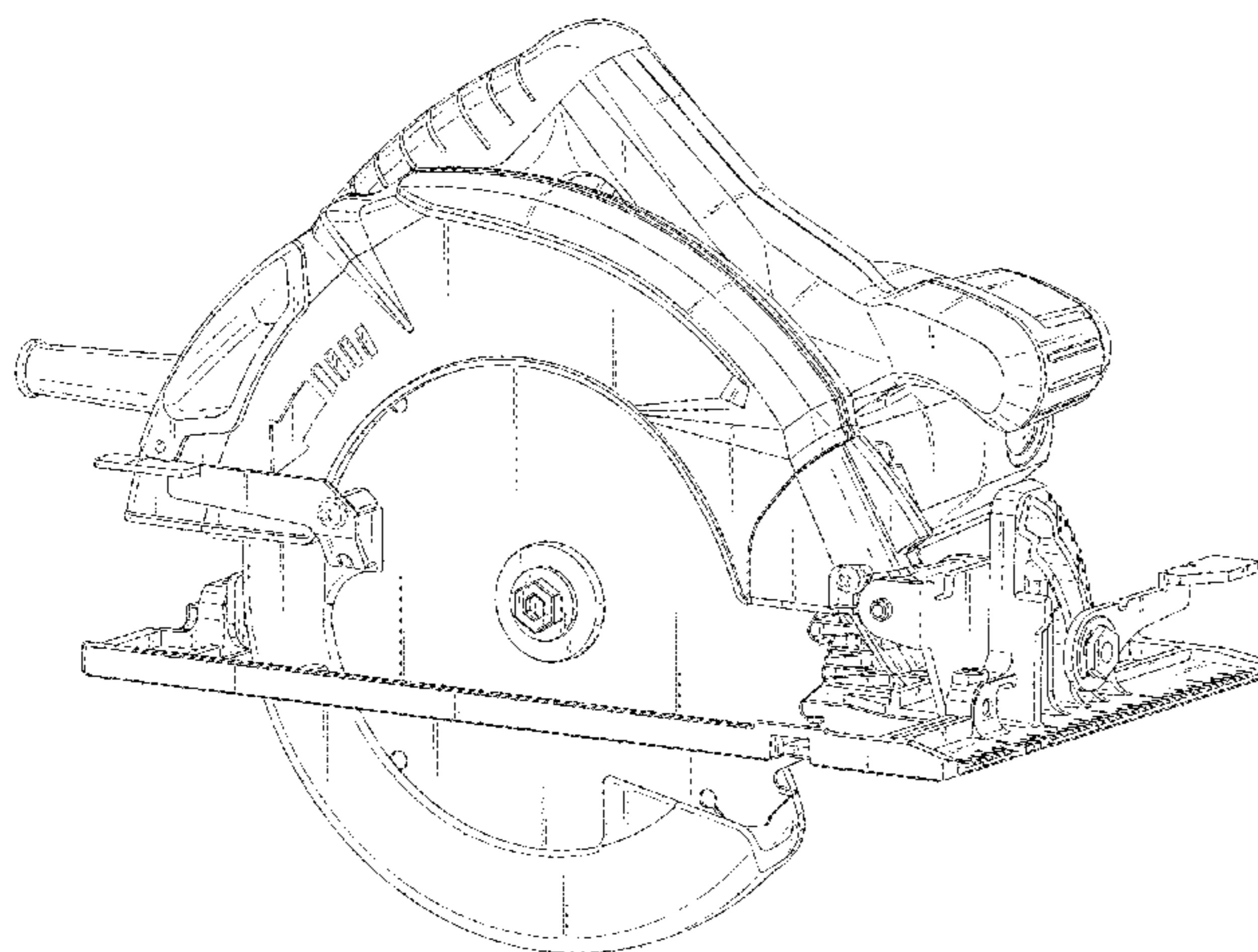
(52) **U.S. Cl.**
USPC **D8/66**

(58) **Field of Classification Search**
USPC D8/69, 68, 67, 66, 64, 61, 70; 83/698.41,
83/747, 166.3, 374, 373, 375, 376, 391,
83/377, 390, 388, 389; 125/13.01;
144/218
CPC B27B 9/00; B27B 9/02; B27B 5/02; B27B
5/18; B27B 33/08; B28D 1/04; B28D
1/045; B23D 45/00

FIG. 1 is a front, right, upper perspective view of a portable electric circular saw showing our new design;
FIG. 2 is a rear, left, upper perspective view thereof.
FIG. 3 is a front view thereof.
FIG. 4 is a rear side view thereof;
FIG. 5 is a left side view thereof;
FIG. 6 is a right side view thereof;
FIG. 7 is a top plan view thereof; and,
FIG. 8 is a bottom side view thereof.
The broken lines represent the unclaimed portions of the portable electric circular saw and form no part of the claimed design.

See application file for complete search history.

1 Claim, 8 Drawing Sheets



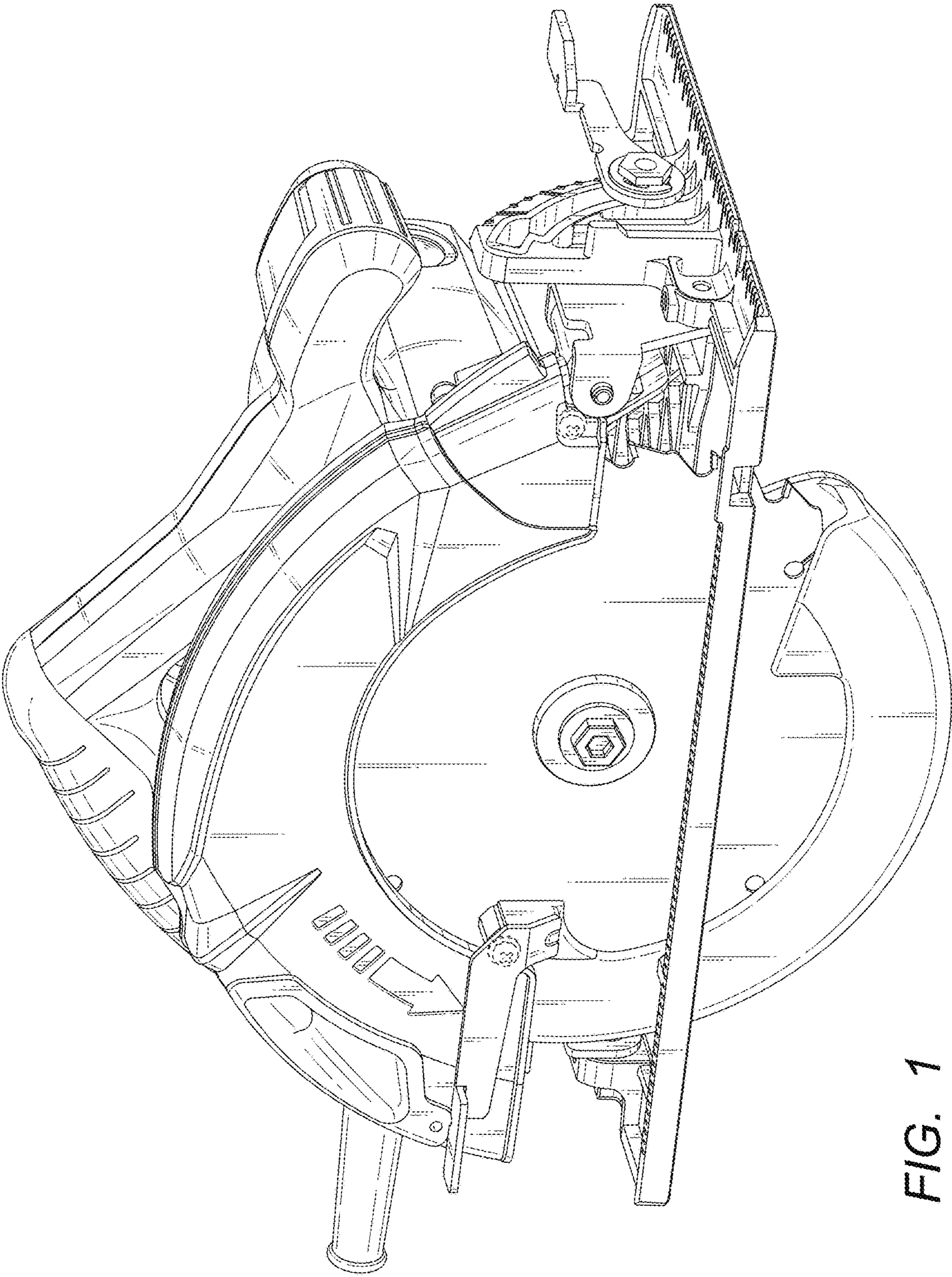


FIG. 1

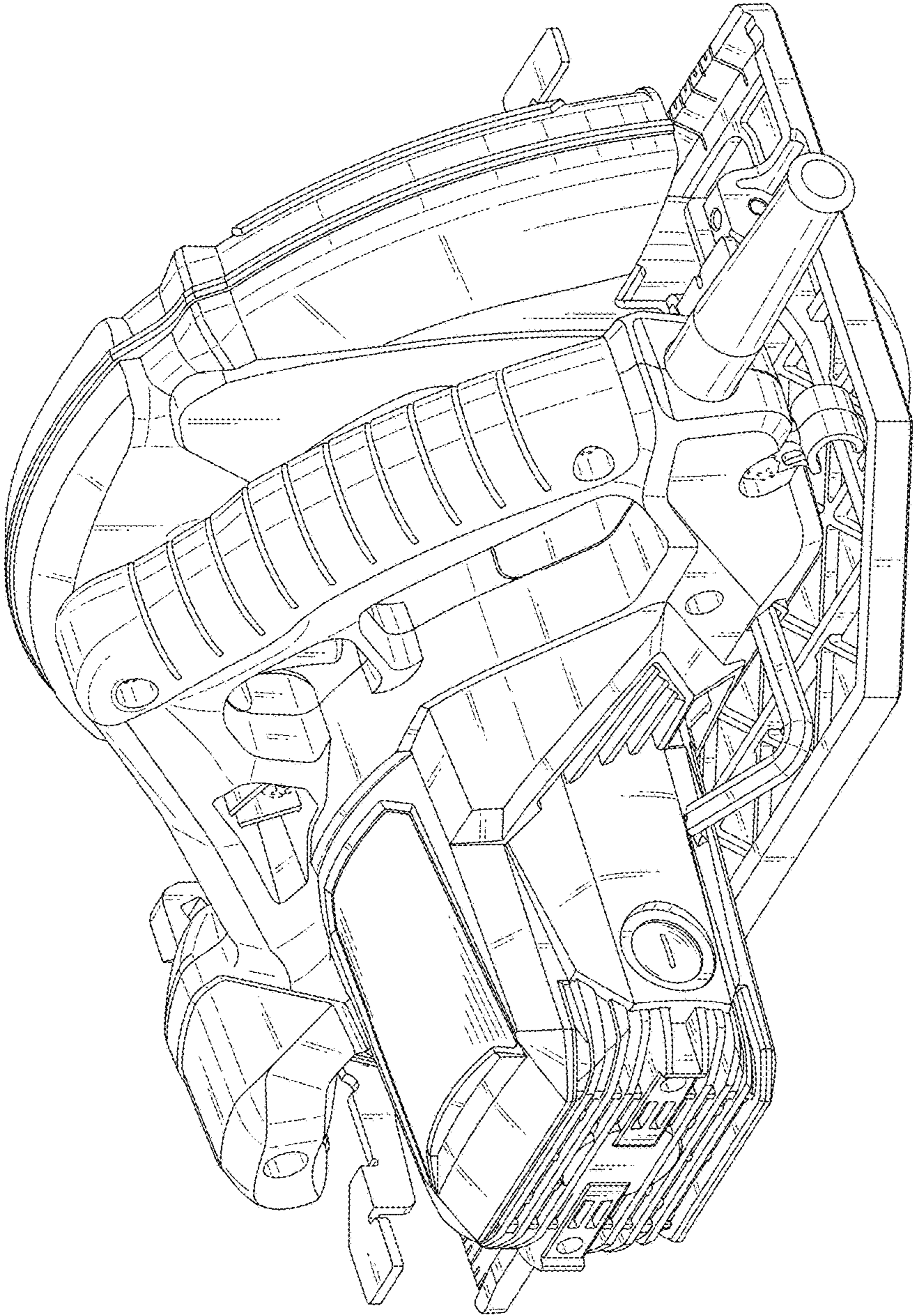


FIG. 2

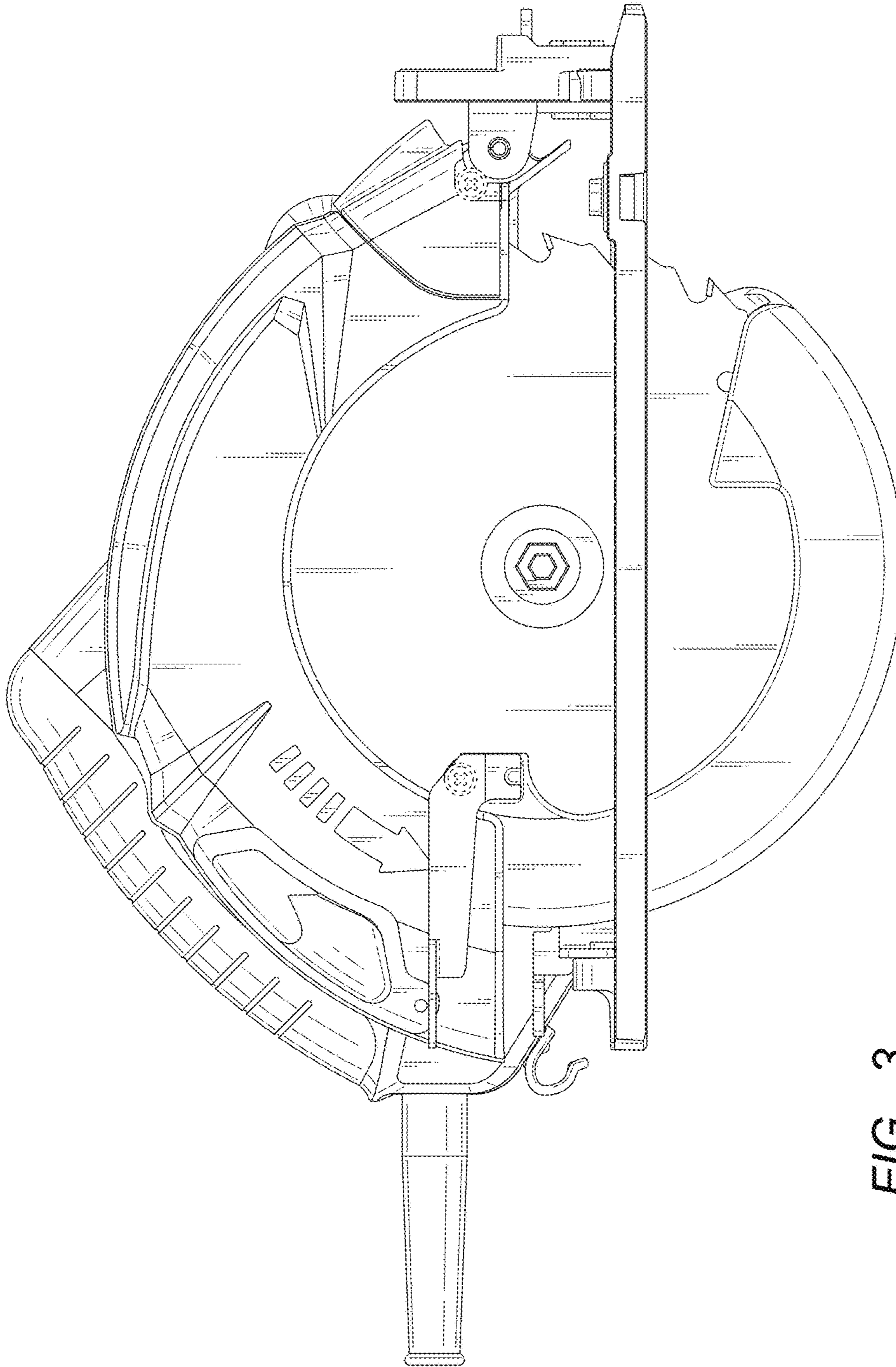


FIG. 3

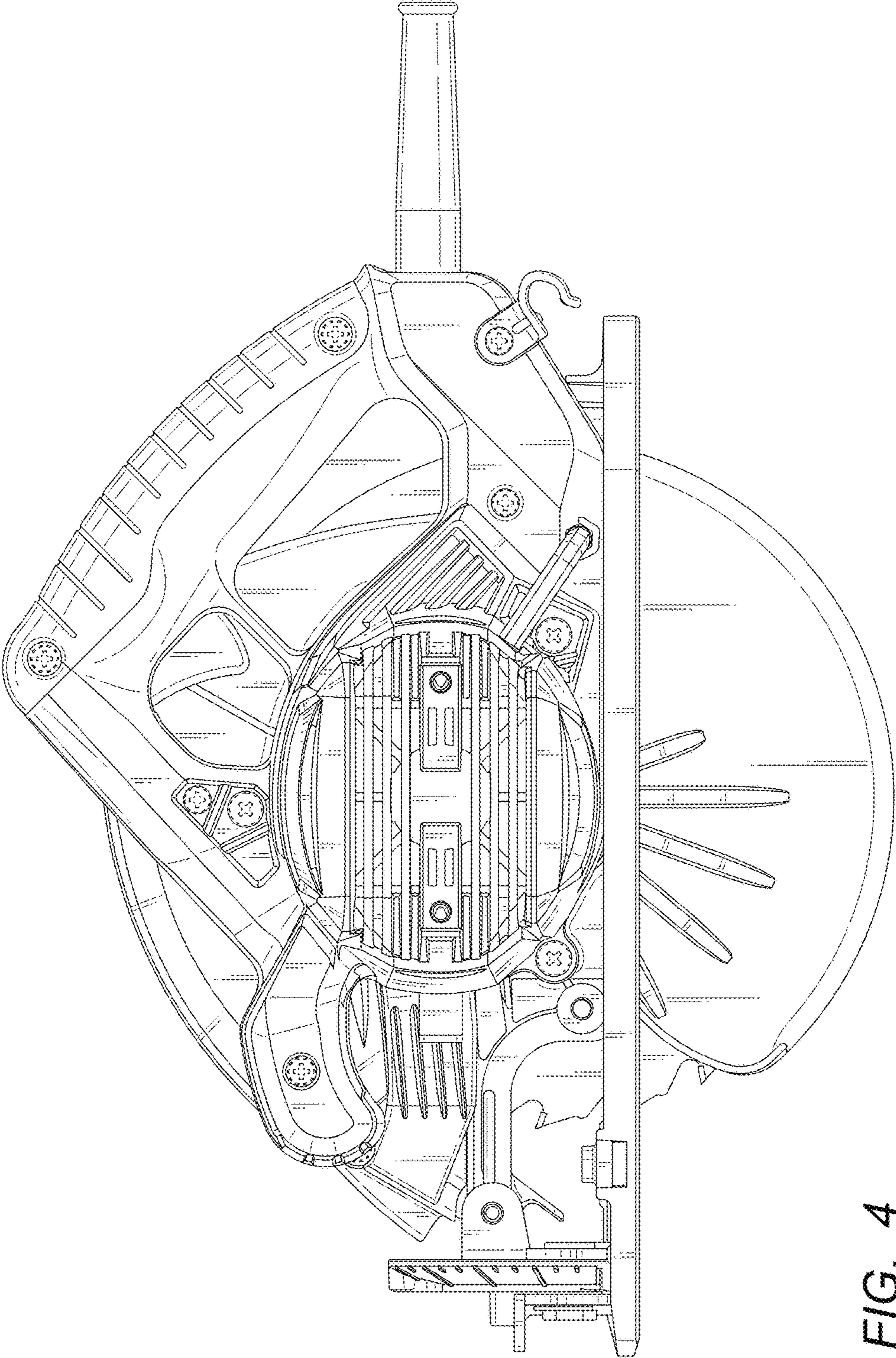


FIG. 4

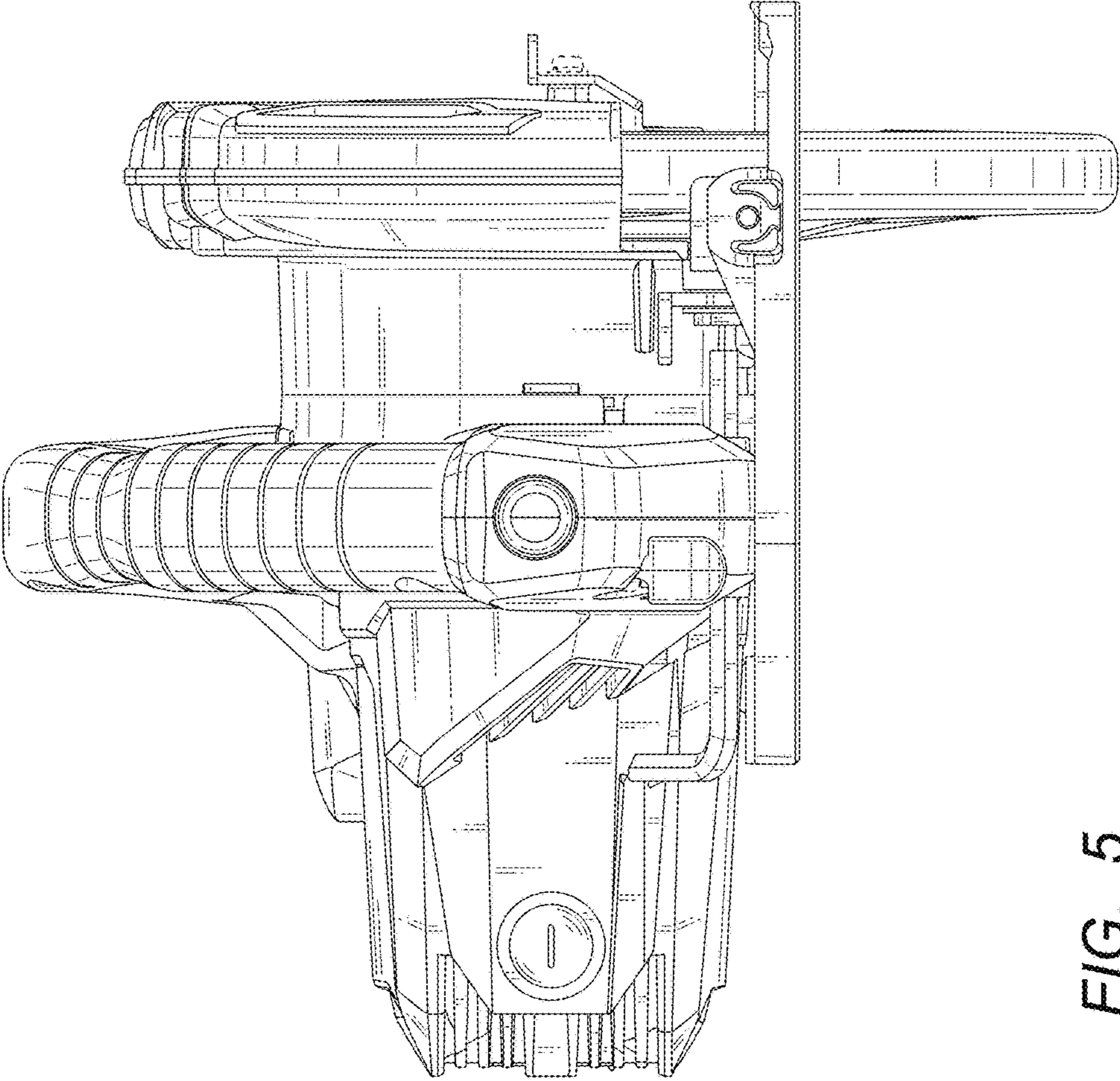


FIG. 5

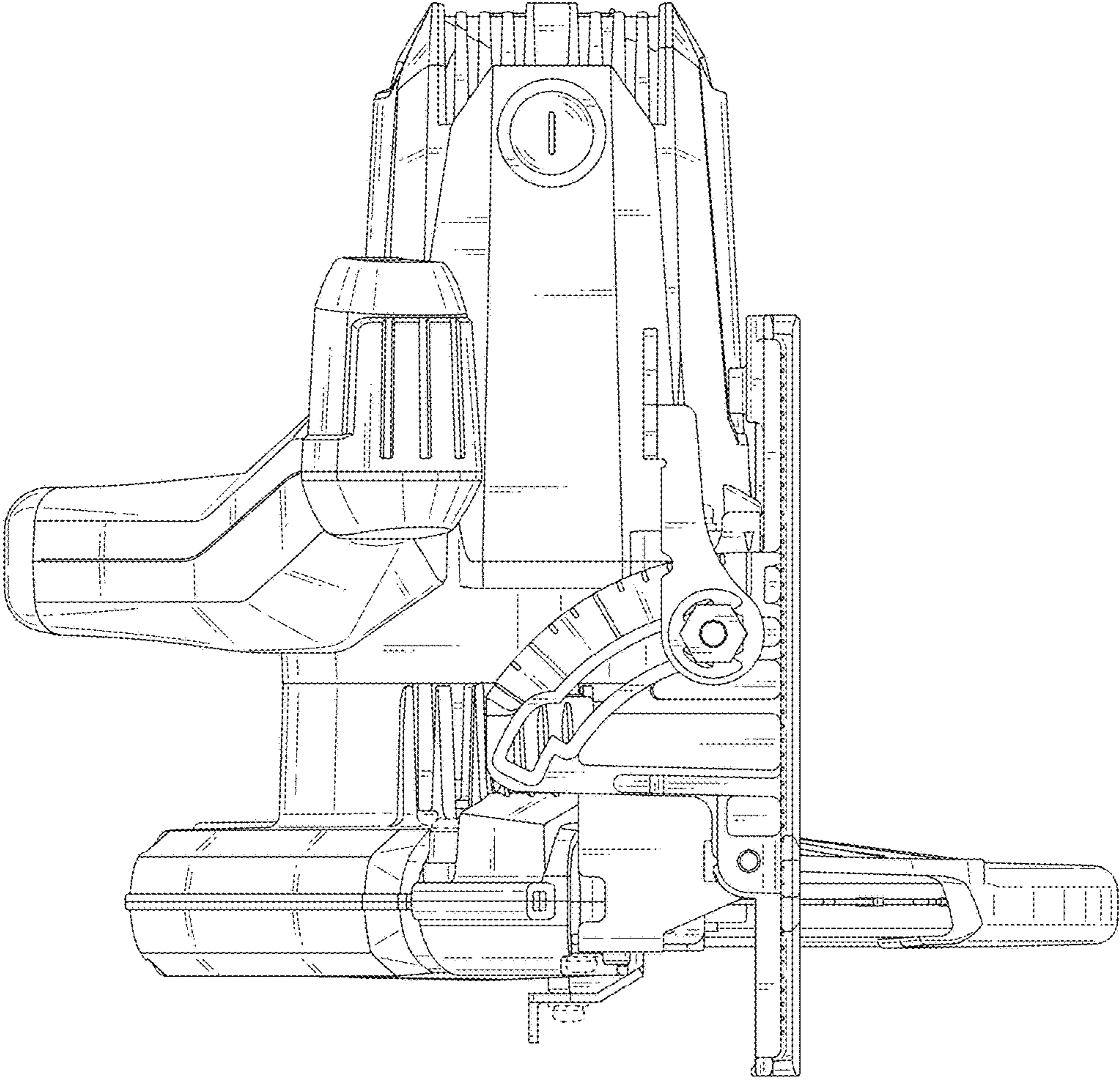


FIG. 6

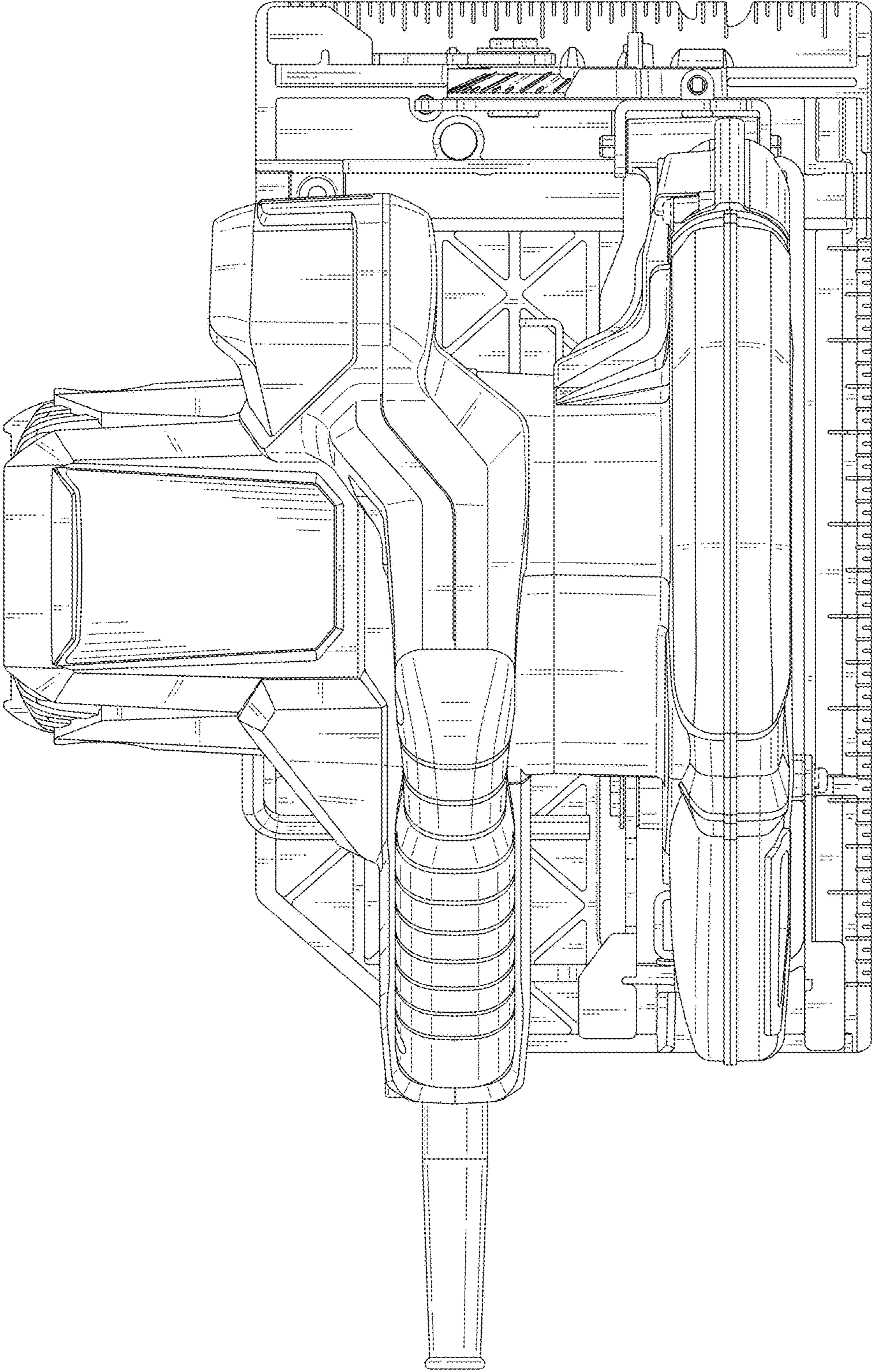


FIG. 7

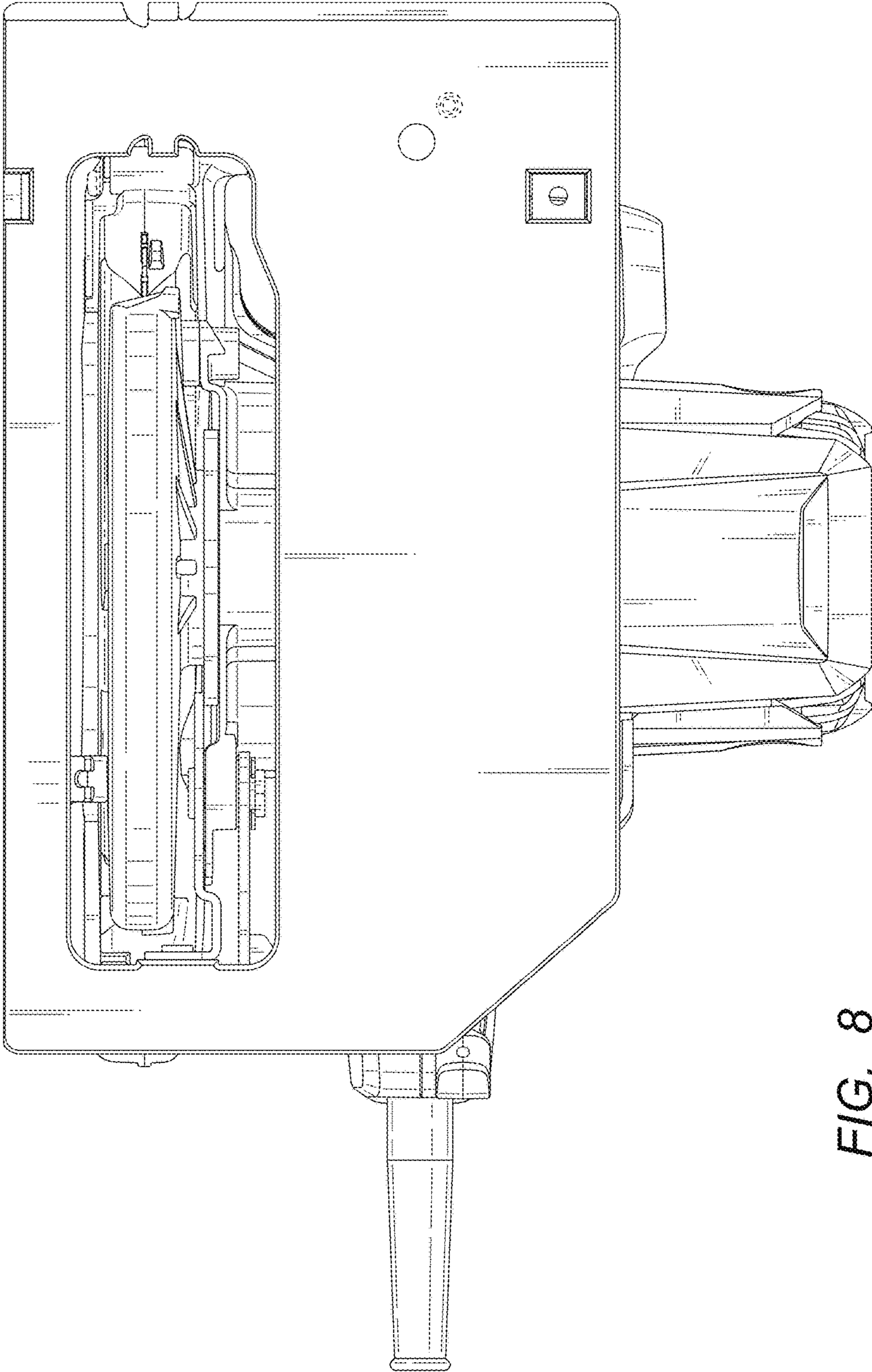


FIG. 8