



US00D849494S

(12) **United States Design Patent**
Feuerstein

(10) **Patent No.:** **US D849,494 S**

(45) **Date of Patent:** **** May 28, 2019**

- (54) **HANDHELD SCRUBBER**
- (71) Applicant: **E. MISHAN & SONS, INC.**, New York, NY (US)
- (72) Inventor: **Debbie Feuerstein**, New Rochelle, NY (US)
- (73) Assignee: **E. Mishan & Sons, Inc.**, New York, NY (US)
- (**) Term: **15 Years**
- (21) Appl. No.: **29/614,305**
- (22) Filed: **Aug. 17, 2017**
- (51) **LOC (11) Cl.** **08-05**
- (52) **U.S. Cl.**
USPC **D8/61**
- (58) **Field of Classification Search**
USPC D8/70, 82, 85-87, 105; D15/139;
81/436, 460-461
CPC B25B 13/06; B25B 13/5091; B25B 15/00;
B25B 15/001; B25B 15/002; B25B 15/004;
B25B 15/005; B25B 15/008; B25B 15/02;
B25B 15/04; B25B 17/00; B25B 21/007;
B25B 23/00; B25B 23/0035; B25B 23/005;
B25B 23/12; B25B 23/1405; B25B 27/18; B25B 31/12;
B25B 51/08; B25B 51/108; B25B 2251/66; B23P 15/00
See application file for complete search history.

5,423,102 A	6/1995	Madison	
D368,343 S	3/1996	Gebhard	
5,511,269 A	4/1996	Watson	
5,870,790 A	2/1999	Root	
5,950,268 A	9/1999	Murphy	
5,964,003 A	10/1999	Rogers	
D417,961 S	12/1999	Powis, Jr.	
6,224,287 B1	5/2001	Gieux	
D451,288 S	12/2001	Bean	
6,374,447 B1	4/2002	Armbruster	
6,688,800 B2	2/2004	Kresge	
6,984,901 B2	1/2006	Wong	
7,152,266 B1	12/2006	Naughton	
7,203,986 B2	4/2007	Pears	
D543,362 S	5/2007	Hall	
7,331,077 B1	2/2008	Henry	
7,363,673 B2	4/2008	Schonewille	
D568,609 S *	5/2008	Evans	D4/102
7,414,337 B2	8/2008	Wilkinson	
D589,257 S *	3/2009	Van Wambeke	D4/102
D600,022 S	9/2009	Busschaert	

(Continued)

Primary Examiner — Austin Murphy
(74) *Attorney, Agent, or Firm* — Notaro, Michalos & Zaccaria P.C.

(57) **CLAIM**

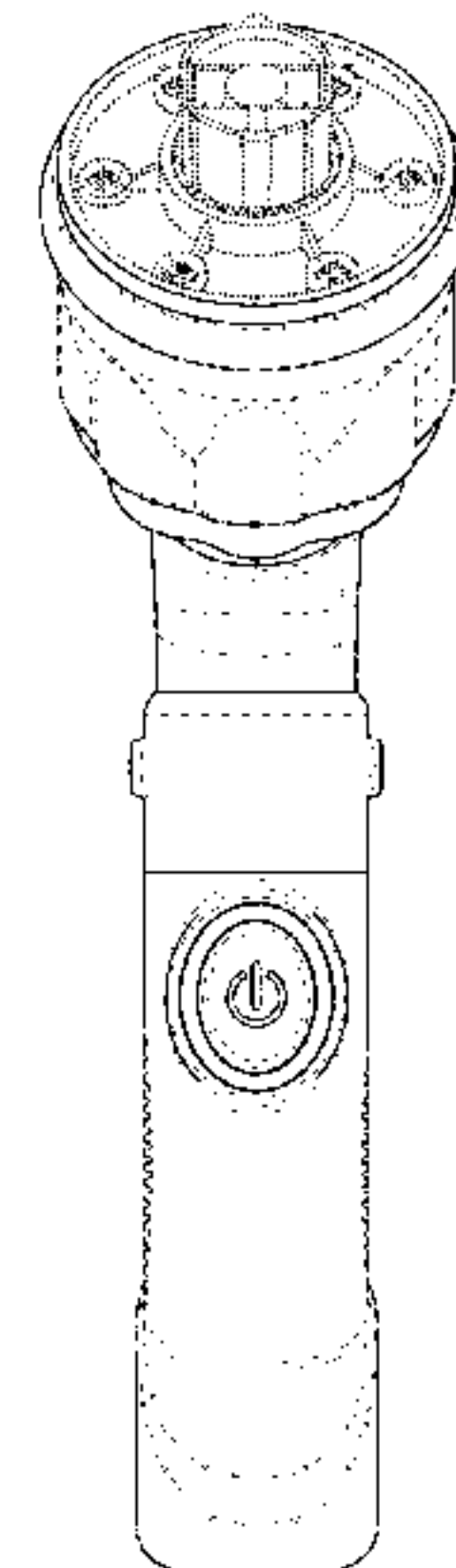
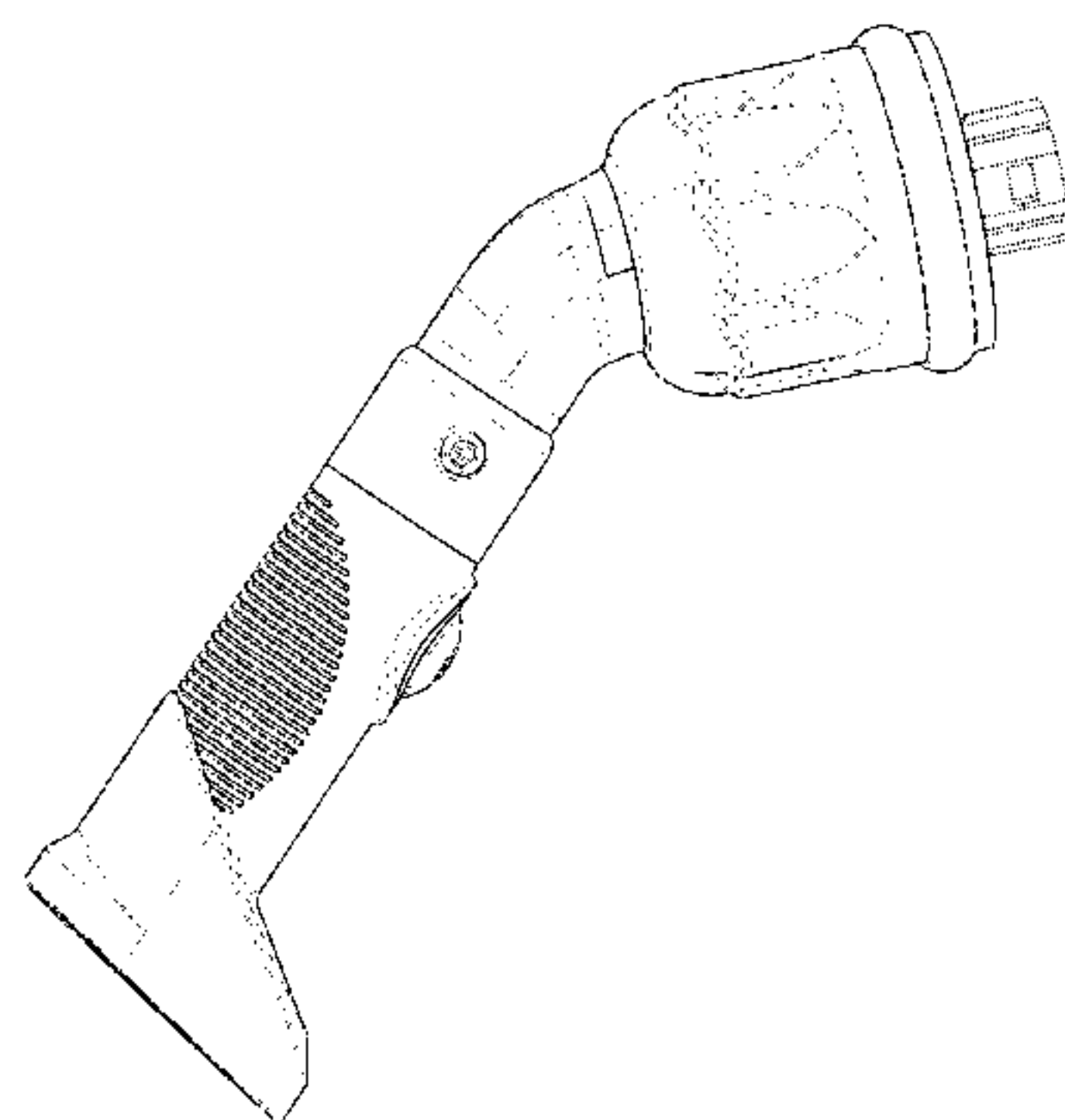
The ornamental design for a handheld scrubber, as shown and described.

DESCRIPTION

FIG. 1 is a side prospective view of a handheld scrubber showing my/our design therefor;
FIG. 2 is a right side elevational view thereof;
FIG. 3 is a top plan view thereof;
FIG. 4 is a bottom plan view thereof;
FIG. 5 is a left side elevational view thereof;
FIG. 6 is a front elevational view thereof; and,
FIG. 7 is a rear elevational view thereof.
Through out the drawings, the broken lines form no part of the design.

1 Claim, 7 Drawing Sheets

- (56) **References Cited**
U.S. PATENT DOCUMENTS
- 1,847,496 A 3/1932 Priest
- 2,801,431 A 8/1951 Eastis
- 4,158,246 A 1/1979 Meadows
- D305,480 S 1/1990 Yuen
- 5,224,231 A 7/1993 Nacar
- 5,289,605 A 3/1994 Armbruster



(56)

References Cited

U.S. PATENT DOCUMENTS

7,614,107	B2	11/2009	Cobabe	
7,707,674	B2	5/2010	Schonewille	
7,818,864	B2	10/2010	Wilkinson	
7,913,345	B2	3/2011	Dayton	
7,926,141	B2	4/2011	Dayton	
7,937,792	B2	5/2011	Munn	
8,186,000	B2	5/2012	Hettes	
8,533,886	B2	9/2013	Cobabe	
8,574,037	B2	11/2013	Kresge	
D703,825	S	4/2014	Barrett	
8,752,227	B2	6/2014	Manning	
8,801,861	B2	8/2014	Cobabe	
D712,224	S *	9/2014	Zhang	D8/61
D712,225	S *	9/2014	Larson	D8/61
D714,609	S *	10/2014	Beukema	D8/61
D718,108	S *	11/2014	Beukema	D8/61
D720,196	S *	12/2014	Hsiao	D8/61
8,984,695	B2	3/2015	Manning	
9,049,976	B2	6/2015	Blocker	
D749,325	S *	2/2016	Middendorp	D4/102
D755,032	S *	5/2016	Martinez	D8/61
D832,669	S *	11/2018	Dretzka	D8/61
D832,670	S *	11/2018	Uchiyama	D8/61
D834,908	S *	12/2018	Konnecke	D8/61
D835,487	S *	12/2018	Wason	D8/61
2004/0074025	A1	4/2004	Blaustein	
2004/0083567	A1	5/2004	Lies	
2005/0144744	A1	1/2005	Thiess	
2005/0066458	A1	3/2005	Belcastro	
2006/0248666	A1	11/2006	Lies	
2016/0138631	A1	5/2016	Kresge	

* cited by examiner

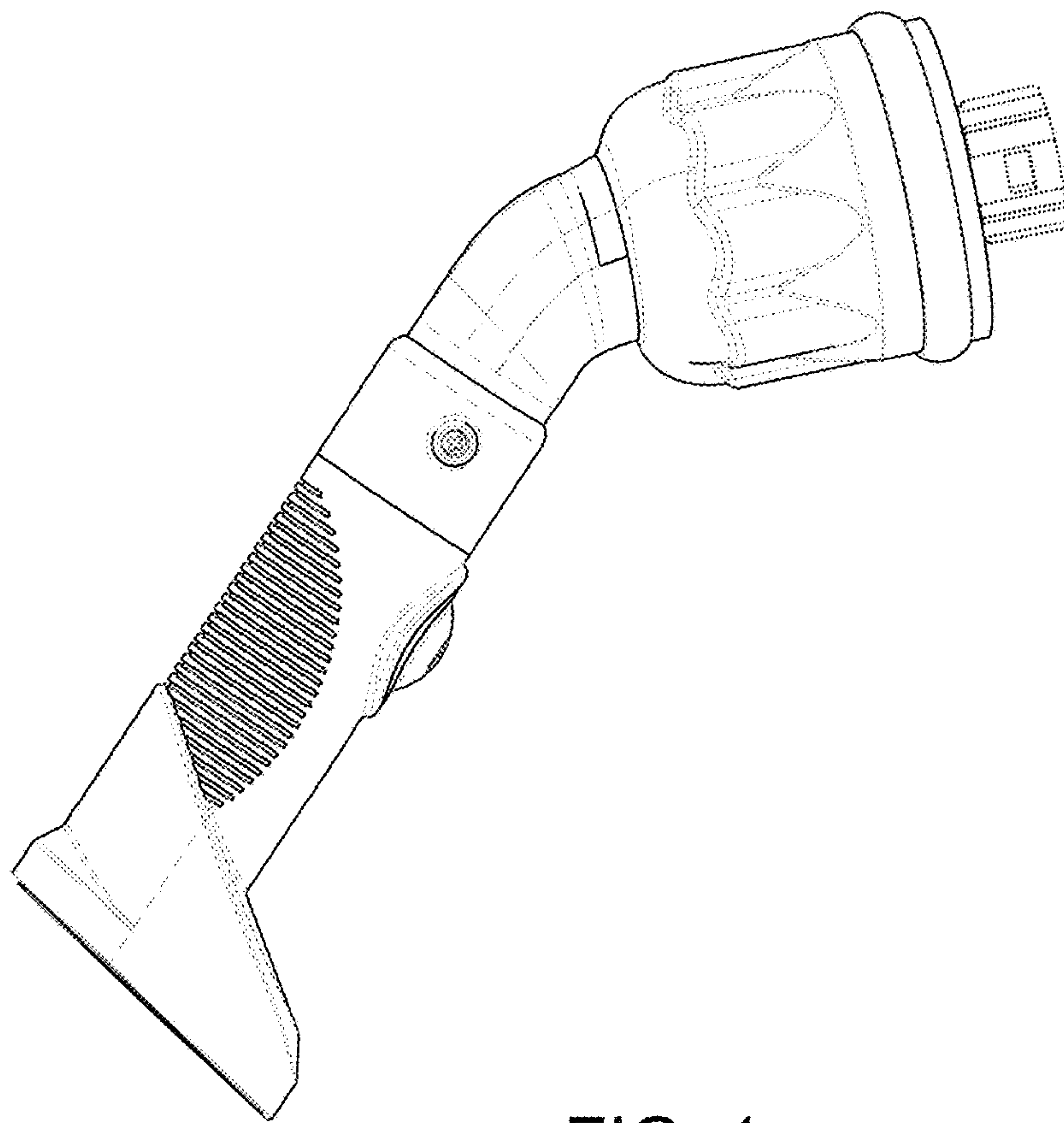


FIG. 1

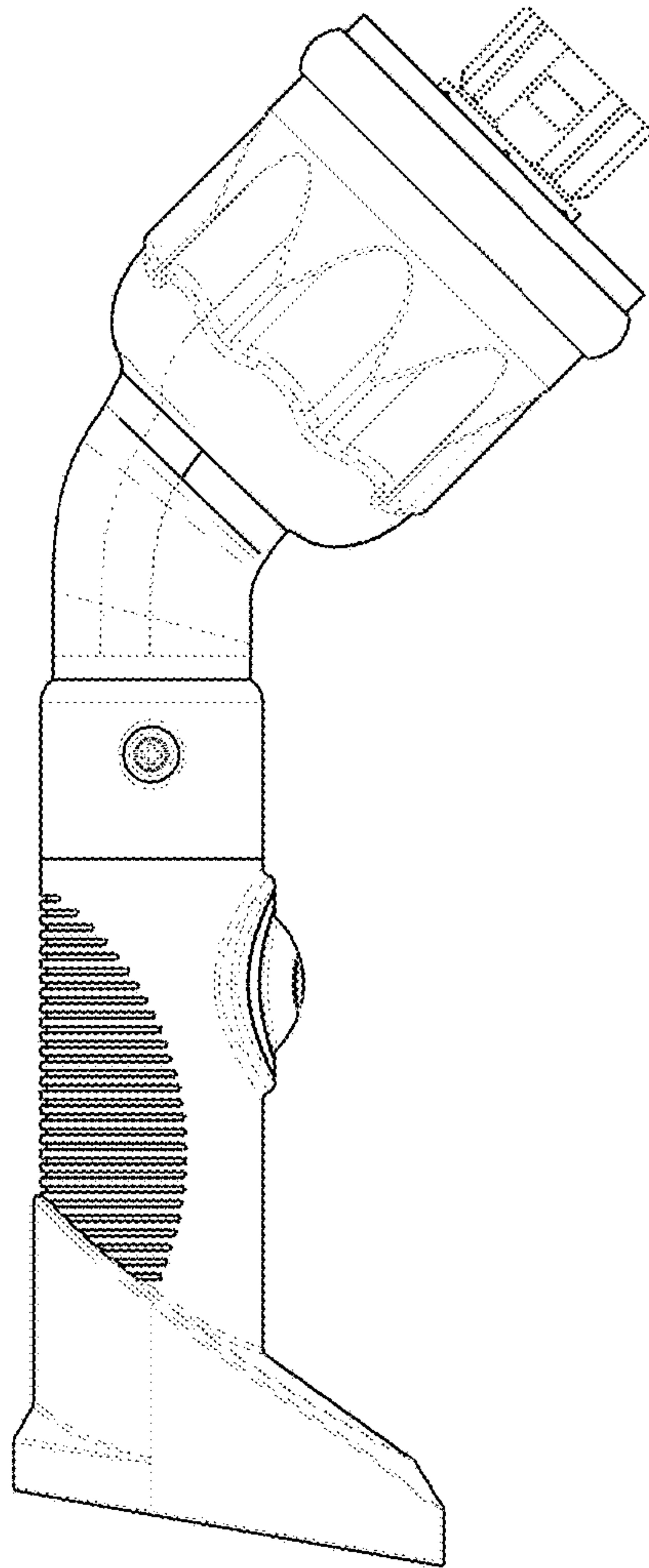


FIG. 2

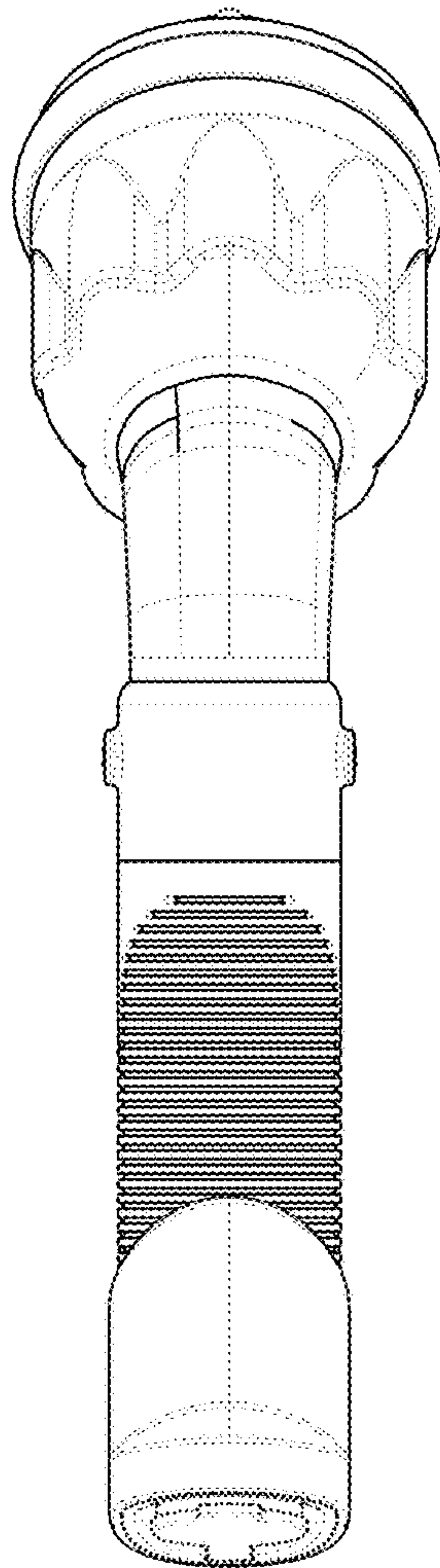


FIG. 3

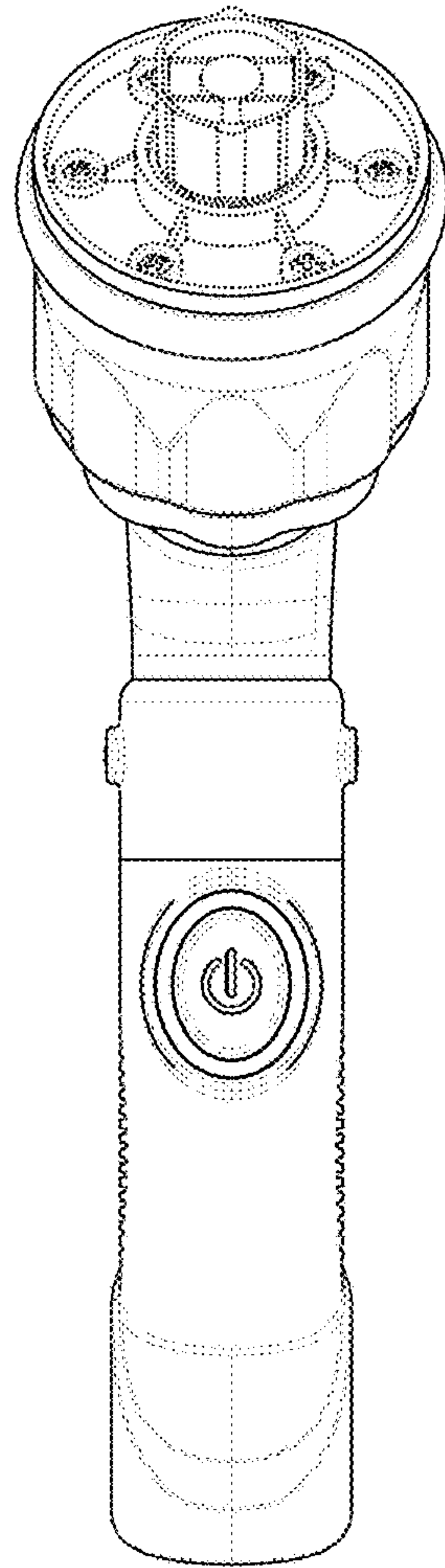


FIG. 4

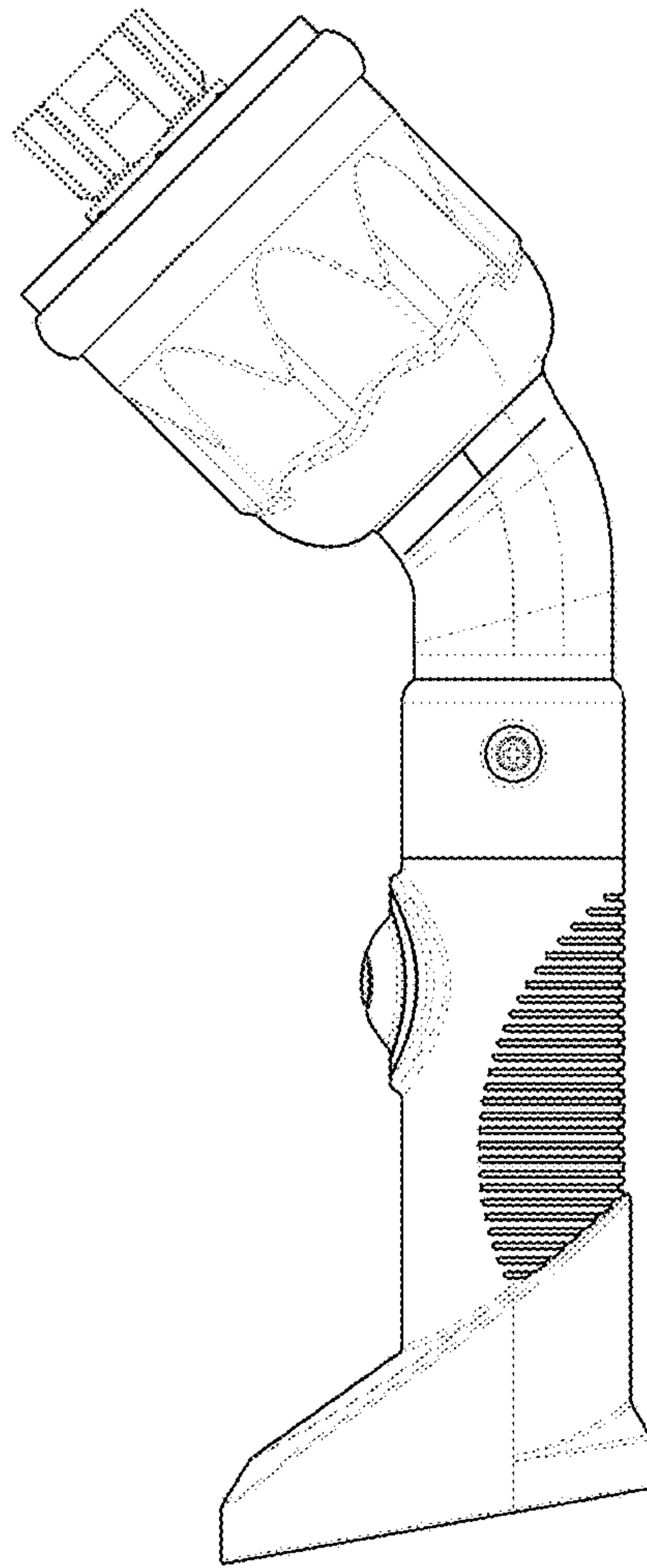


FIG. 5

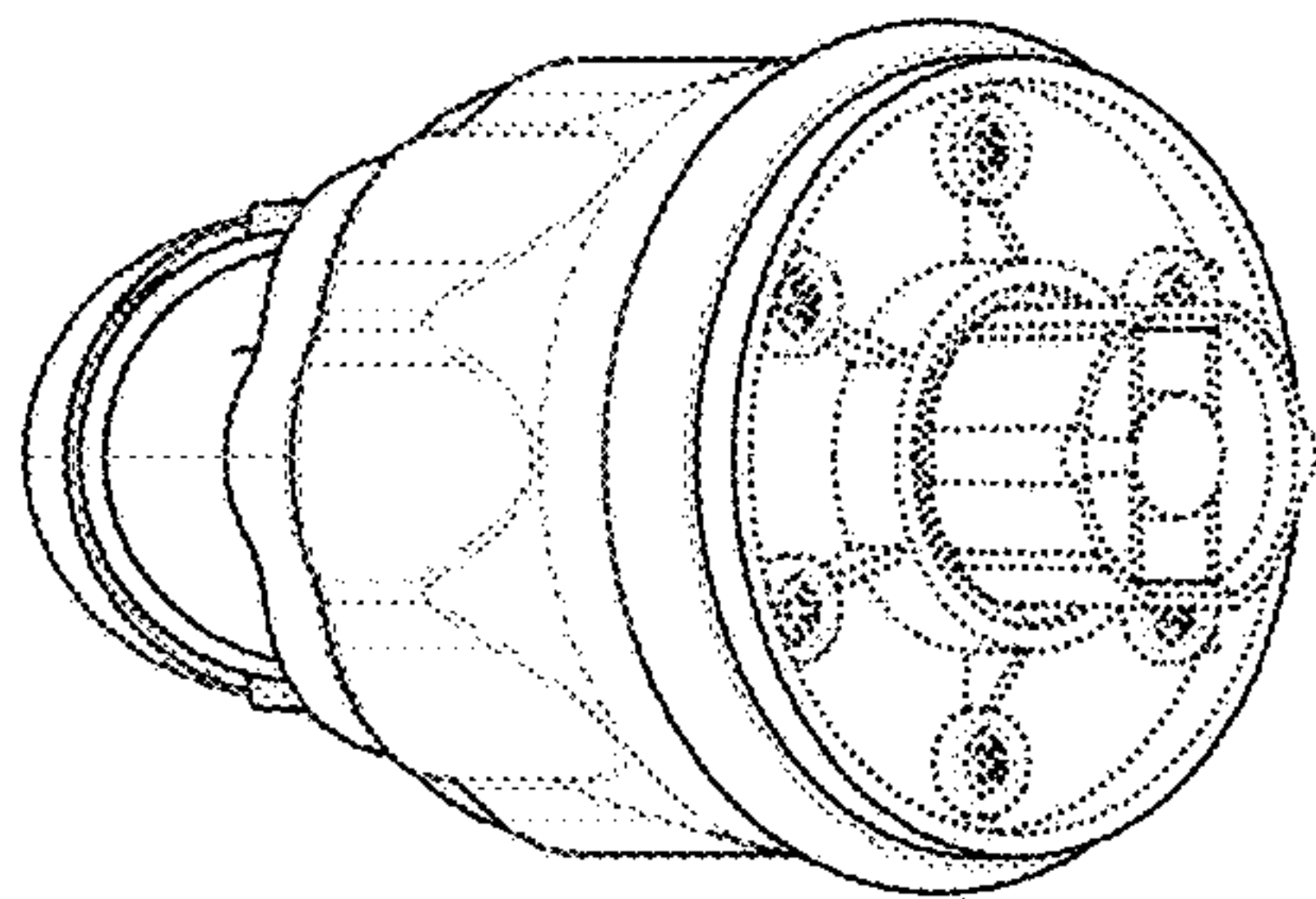


FIG. 6

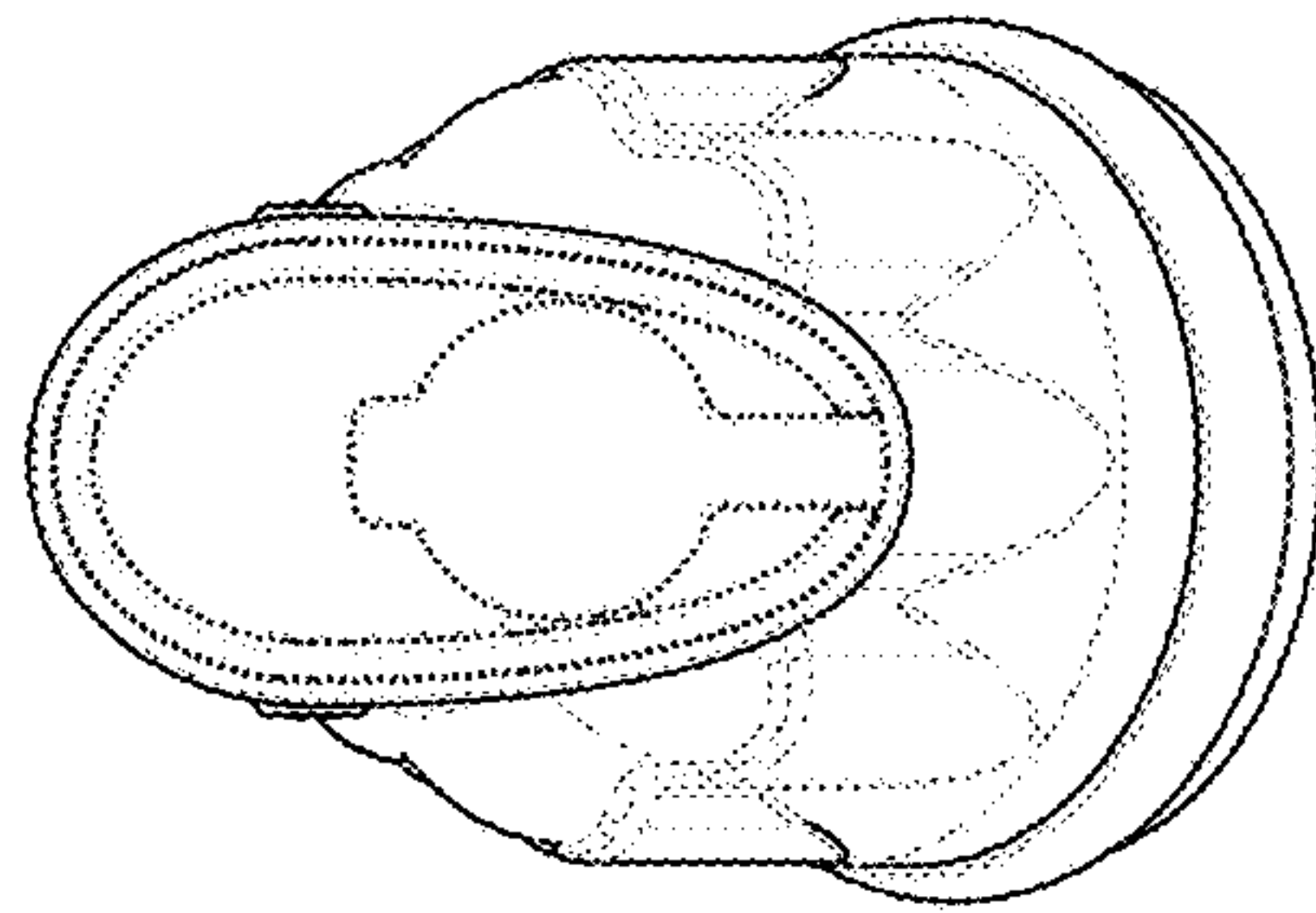


FIG. 7