



US00D849493S

(12) **United States Design Patent**
Ping

(10) **Patent No.:** **US D849,493 S**

(45) **Date of Patent:** **** May 28, 2019**

(54) **INDICATION PLATE OF SNIPS**

(71) Applicant: **Huang Chung Ping**, Taichung (TW)

(72) Inventor: **Huang Chung Ping**, Taichung (TW)

(**) Term: **15 Years**

(21) Appl. No.: **29/605,005**

(22) Filed: **May 23, 2017**

(51) **LOC (11) Cl.** **08-05**

(52) **U.S. Cl.**
USPC **D8/52; D8/499**

(58) **Field of Classification Search**
USPC D8/4, 5, 14, 51-60, 105, 499
CPC Y10S 40/913
See application file for complete search history.

(56) **References Cited**

U.S. PATENT DOCUMENTS

D409,058 S *	5/1999	Wrigley	D8/5
6,041,530 A *	3/2000	Matthews	G09F 23/00
				40/334
6,574,870 B1 *	6/2003	Huang	B23D 29/02
				30/252
D618,996 S *	7/2010	Wu	D8/1
D690,172 S *	9/2013	Rozumovich	D8/5

D695,082 S *	12/2013	Huang	D8/5
D700,029 S *	2/2014	Roberts	D8/57
D740,633 S *	10/2015	Descombes	D8/52
D763,646 S *	8/2016	Katilus	D8/51
D770,253 S *	11/2016	Huang	D8/52

* cited by examiner

Primary Examiner — Deanna L Pratt
(74) *Attorney, Agent, or Firm* — Alan D. Kamrath;
Kamrath IP Lawfirm, P.A.

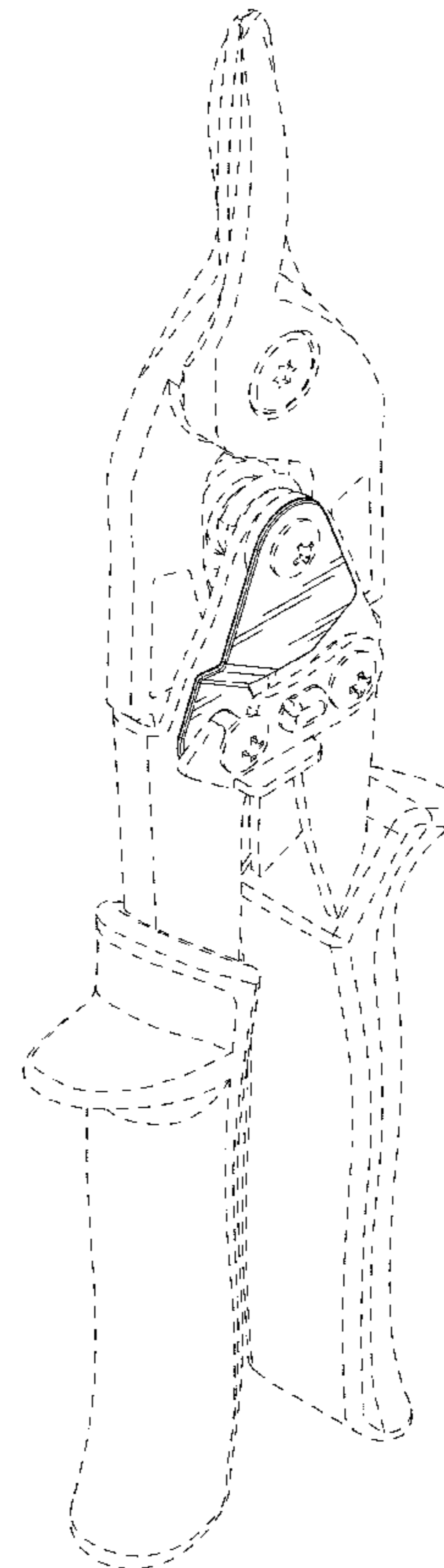
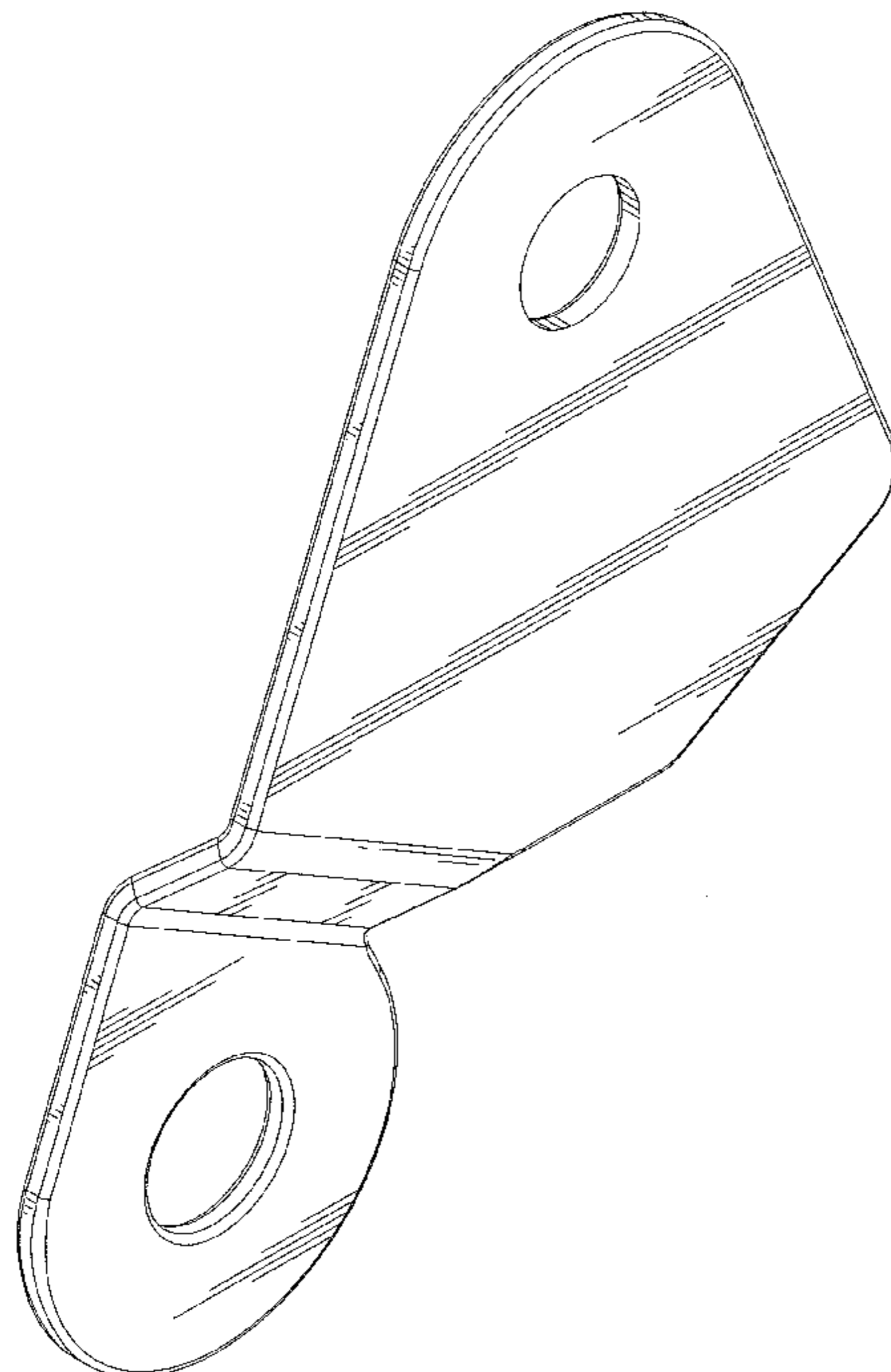
(57) **CLAIM**

The ornamental design for an indication plate of snips, as shown and described.

DESCRIPTION

FIG. 1 is a perspective view of an indication plate of snips showing my new design;
FIG. 2 is a front view thereof;
FIG. 3 is a rear view thereof;
FIG. 4 is a left view thereof;
FIG. 5 is a right view thereof;
FIG. 6 is a top view thereof;
FIG. 7 is a bottom view thereof; and,
FIG. 8 is a perspective view of the indication plate of snips, illustrating the indication plate of snips applied on the snips. The broken line showing of the snips in FIG. 8 illustrates the environment of the claimed design and forms no part thereof.

1 Claim, 8 Drawing Sheets



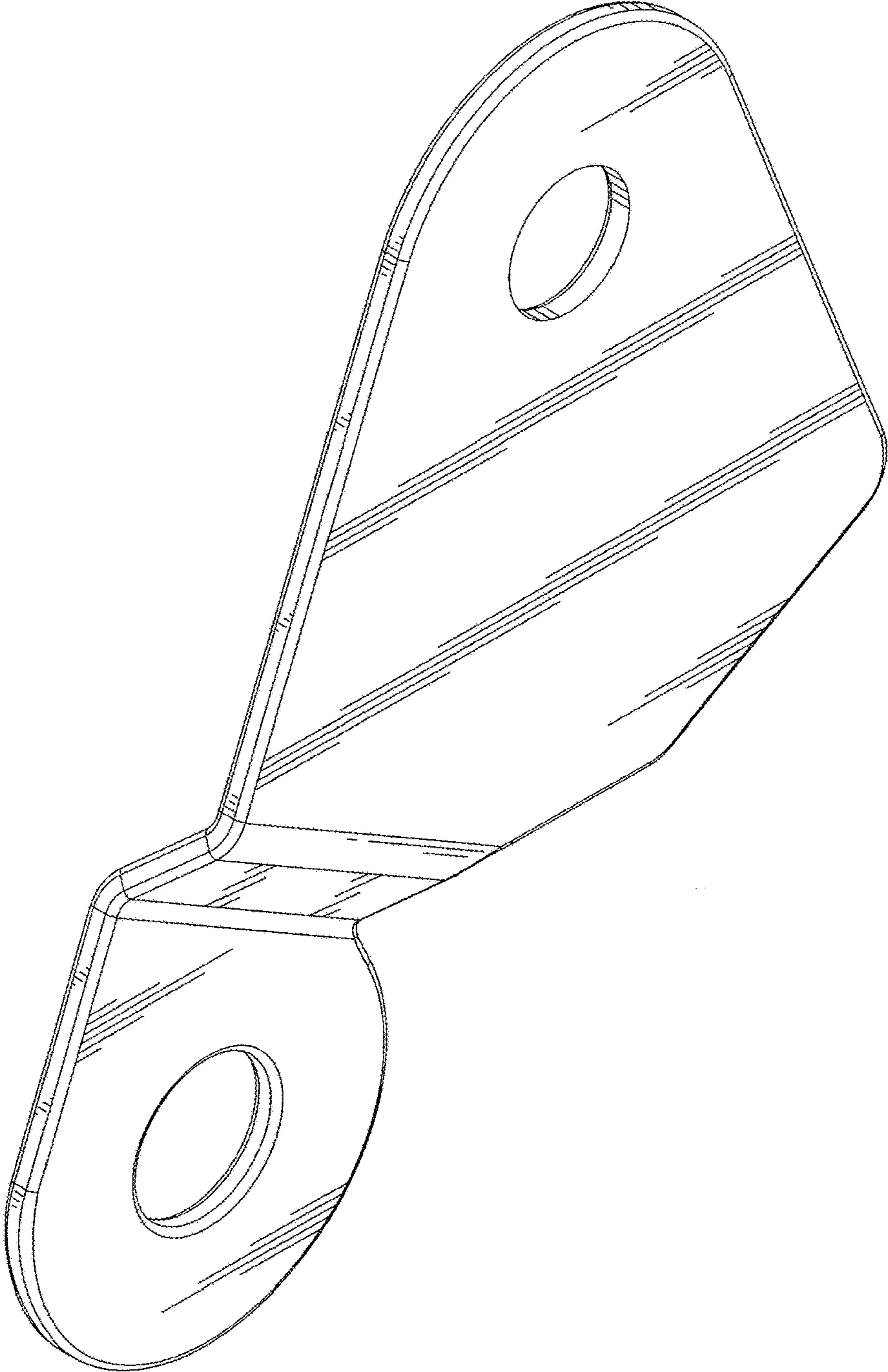


FIG. 1

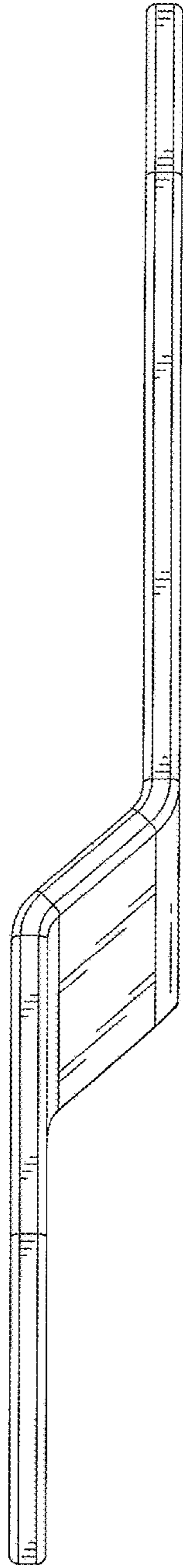


FIG. 2

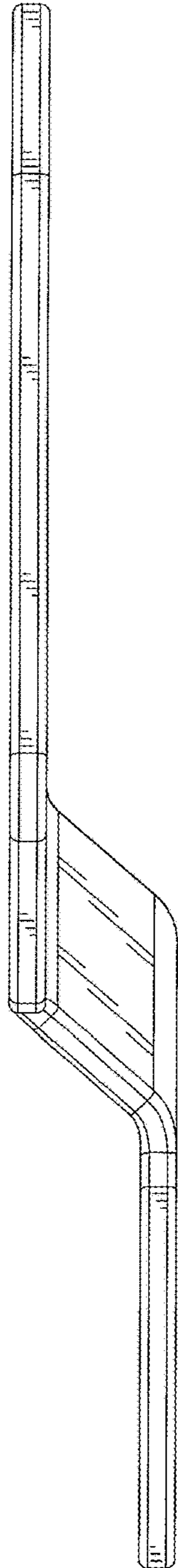


FIG. 3

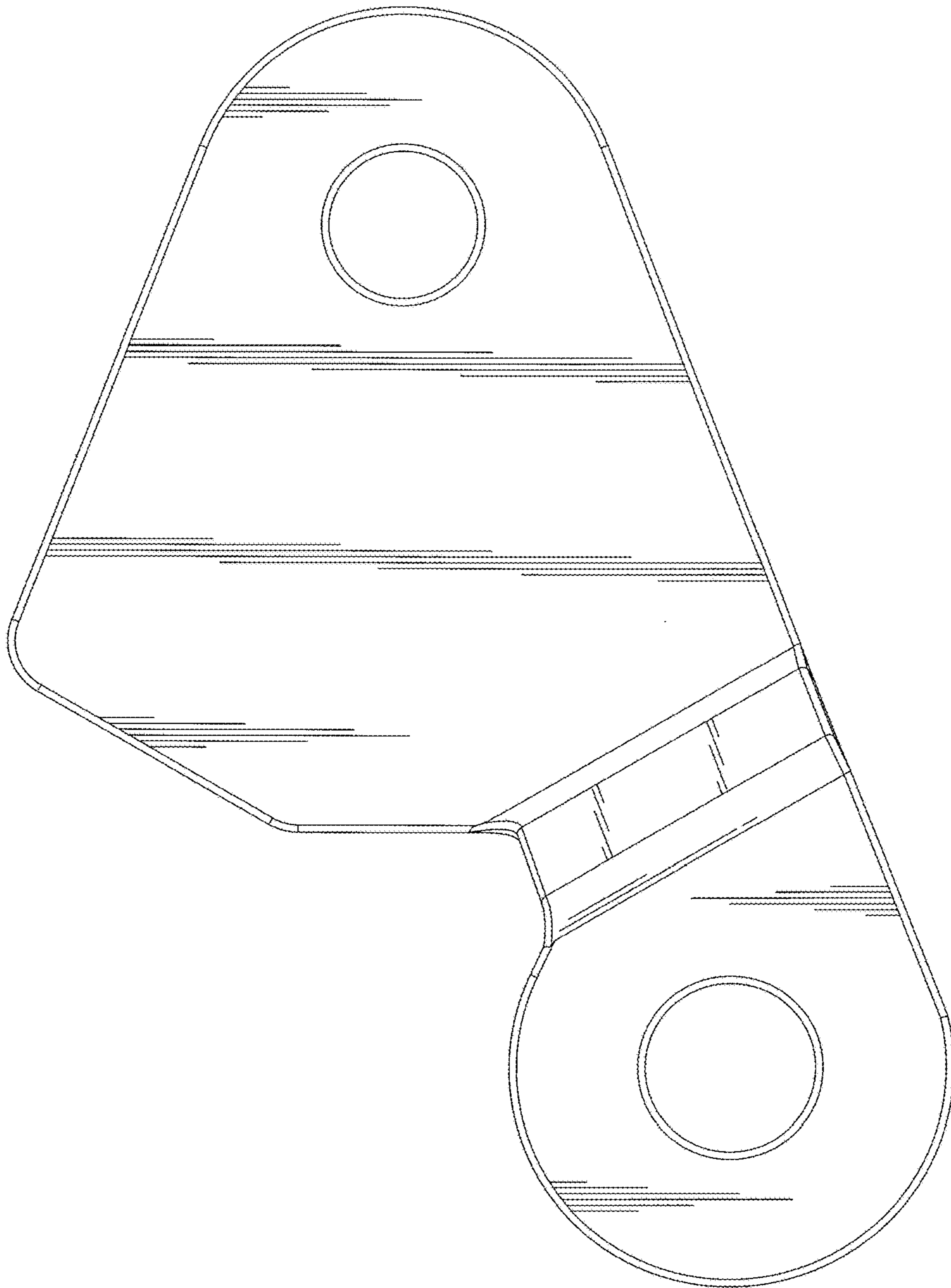


FIG. 4

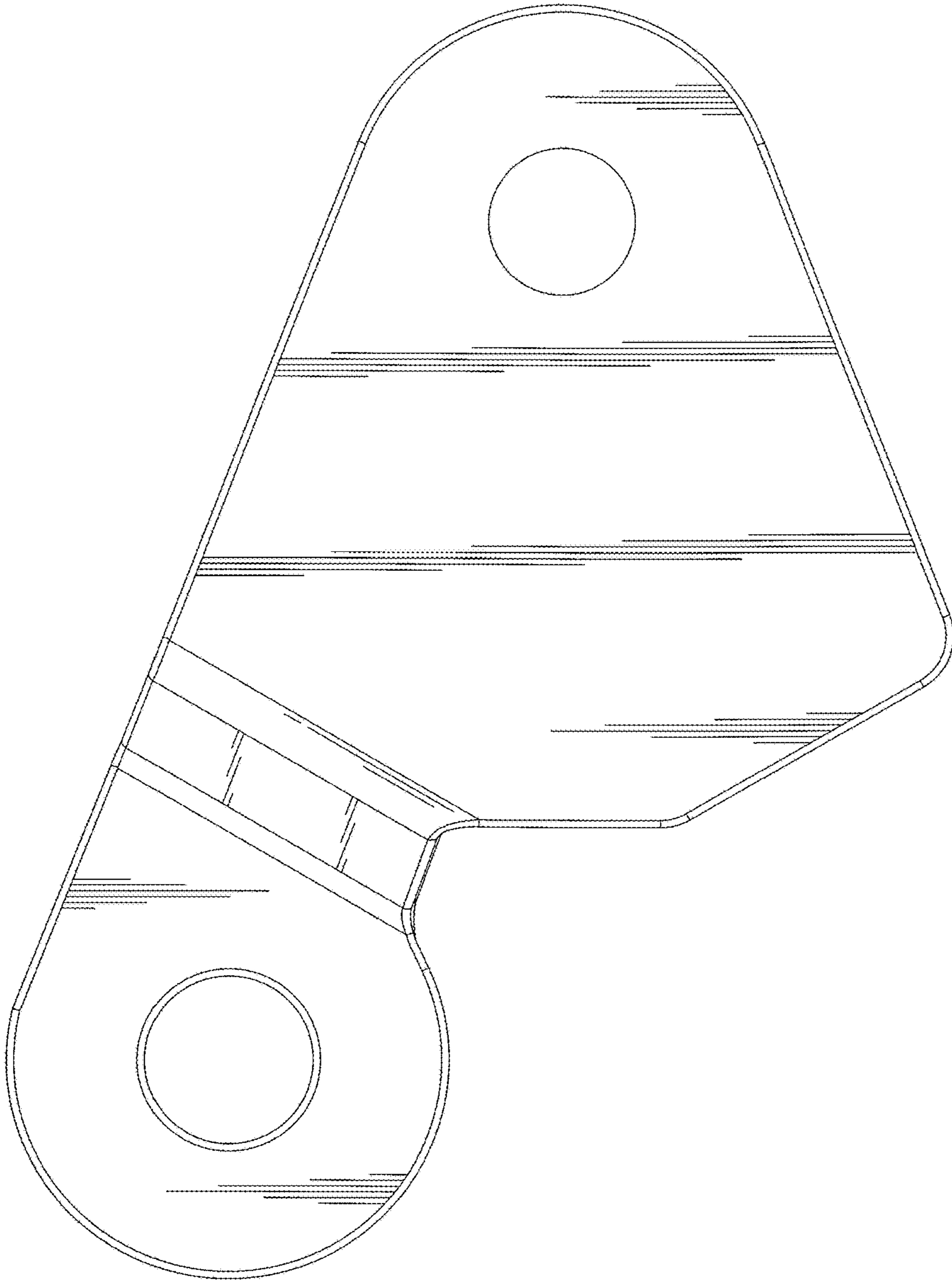


FIG. 5

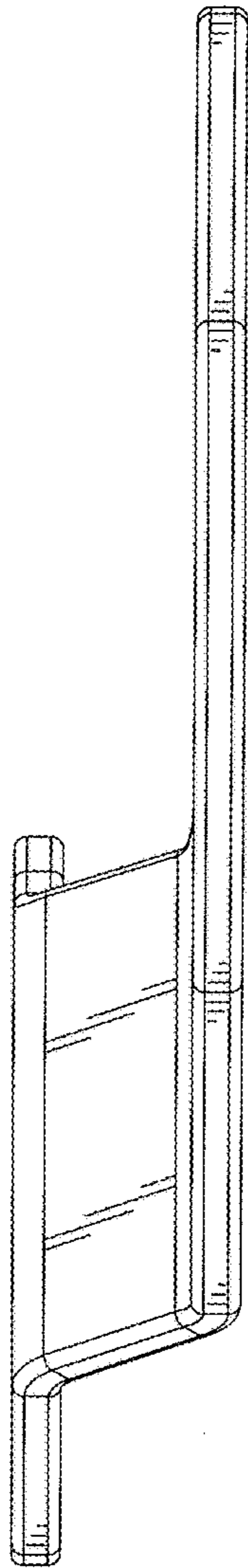


FIG. 6

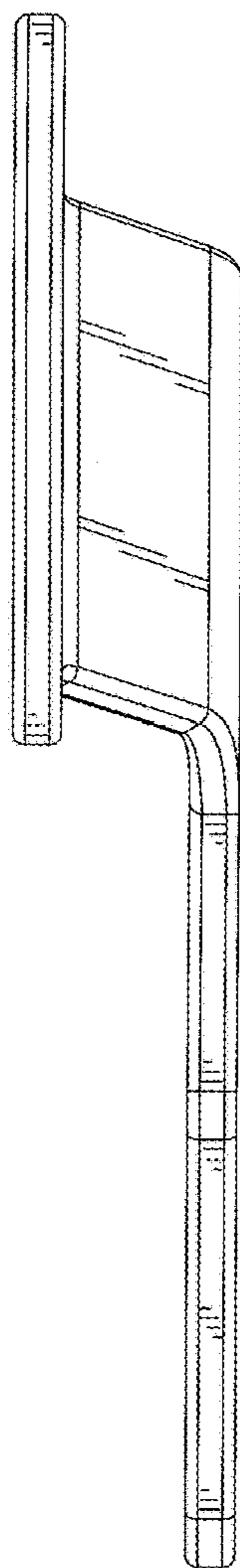


FIG. 7

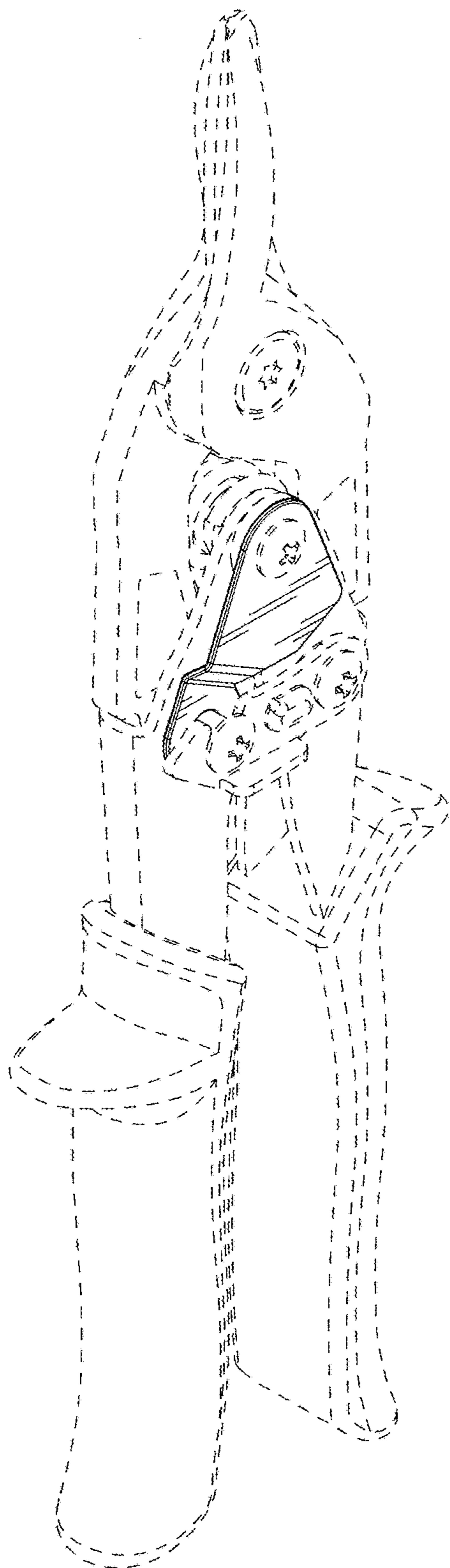


FIG. 8