



US00D849492S

(12) **United States Design Patent** (10) **Patent No.:** **US D849,492 S**
Solar (45) **Date of Patent:** **** May 28, 2019**

(54) **SOCKET WITH A COLORED BAND**

D675,496 S * 2/2013 Chang D8/29
D718,105 S * 11/2014 Tsai D8/29
D776,504 S * 1/2017 Lee D8/29

(71) Applicant: **IDEAL Industries, Inc.**, Sycamore, IL (US)

* cited by examiner

(72) Inventor: **Brenton Solar**, Genoa, IL (US)

Primary Examiner — Randall H Gholson

(73) Assignee: **IDEAL Industries, Inc.**, Sycamore, IL (US)

(74) *Attorney, Agent, or Firm* — Greenberg Traurig, LLP

(**) Term: **15 Years**

(57) **CLAIM**

The ornamental design for a socket with a colored band, as shown and described.

(21) Appl. No.: **29/604,903**

DESCRIPTION

(22) Filed: **May 22, 2017**

(51) **LOC (11) Cl.** **08-05**

(52) **U.S. Cl.**
USPC **D8/29**

(58) **Field of Classification Search**
USPC D8/29; 81/177.1, 177.85, 121.1, 124.3,
81/165-170, 110.1, 176.2, 124.6, 176.1,
81/176.15, 177.2; 16/110.1
CPC B25B 1/00; B25B 19/00; B25B 27/00
See application file for complete search history.

FIG. 1 is a perspective view of a socket with a colored band showing my new design;
FIG. 2 is another perspective view of the socket of FIG. 1;
FIG. 3 is a top plan view of the socket of FIG. 1;
FIG. 4 is a bottom plan view of the socket of FIG. 1;
FIG. 5 is a right side elevational view of the socket of FIG. 1;
FIG. 6 is a left side elevational view of the socket of FIG. 1;
FIG. 7 is a front side elevational view of the socket of FIG. 1; and,
FIG. 8 is a rear side elevational view of the socket of FIG. 1.

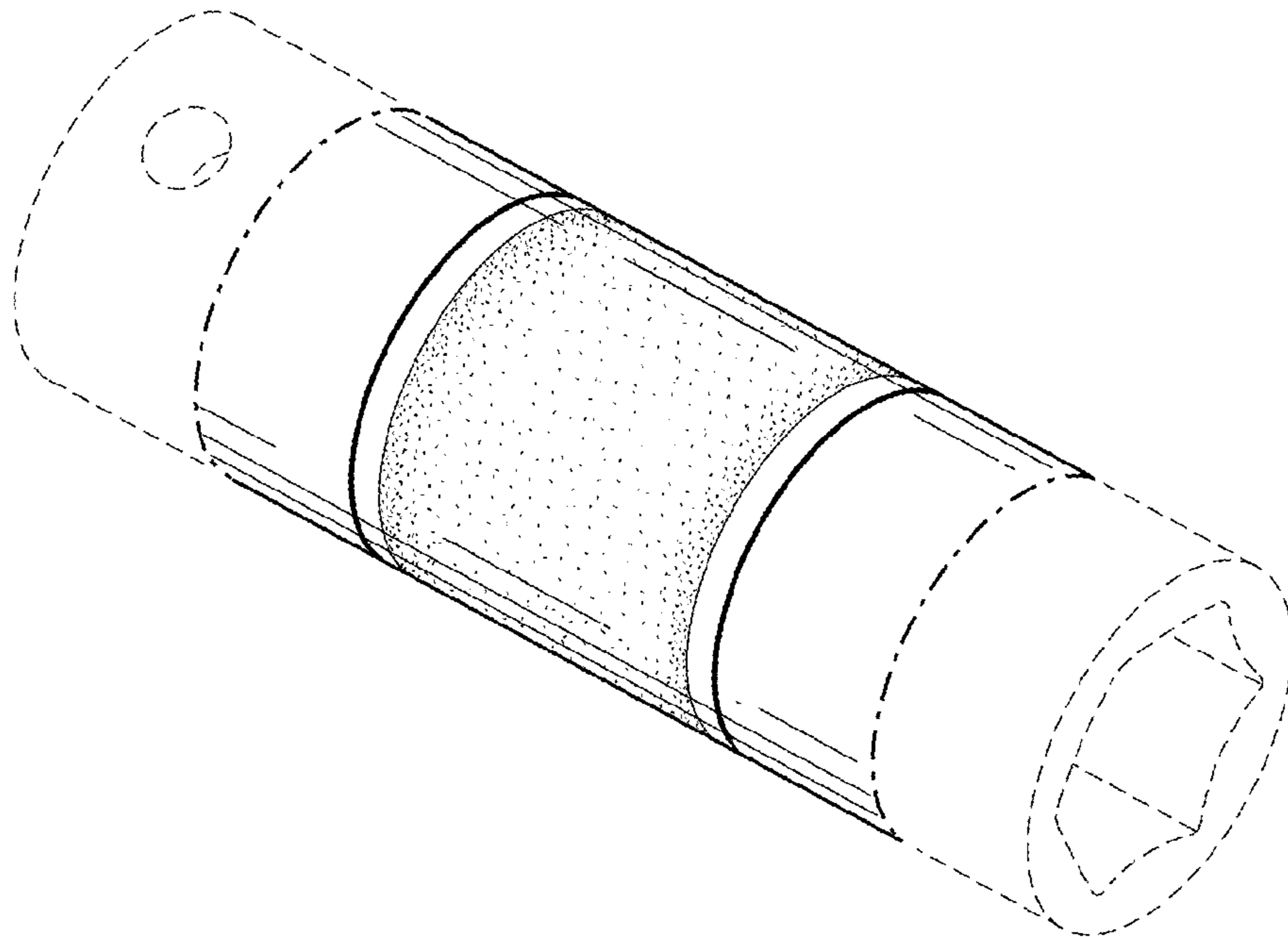
(56) **References Cited**

U.S. PATENT DOCUMENTS

7,448,121 B1 * 11/2008 Hung C25D 5/022
204/194
D588,886 S * 3/2009 Davis D8/29

The broken lines depict portions of the socket that form no part of the claimed design. The stippling shown in the drawings figures illustrate a color where the stippled portion and the remaining non-stippled portions are a different color.

1 Claim, 3 Drawing Sheets



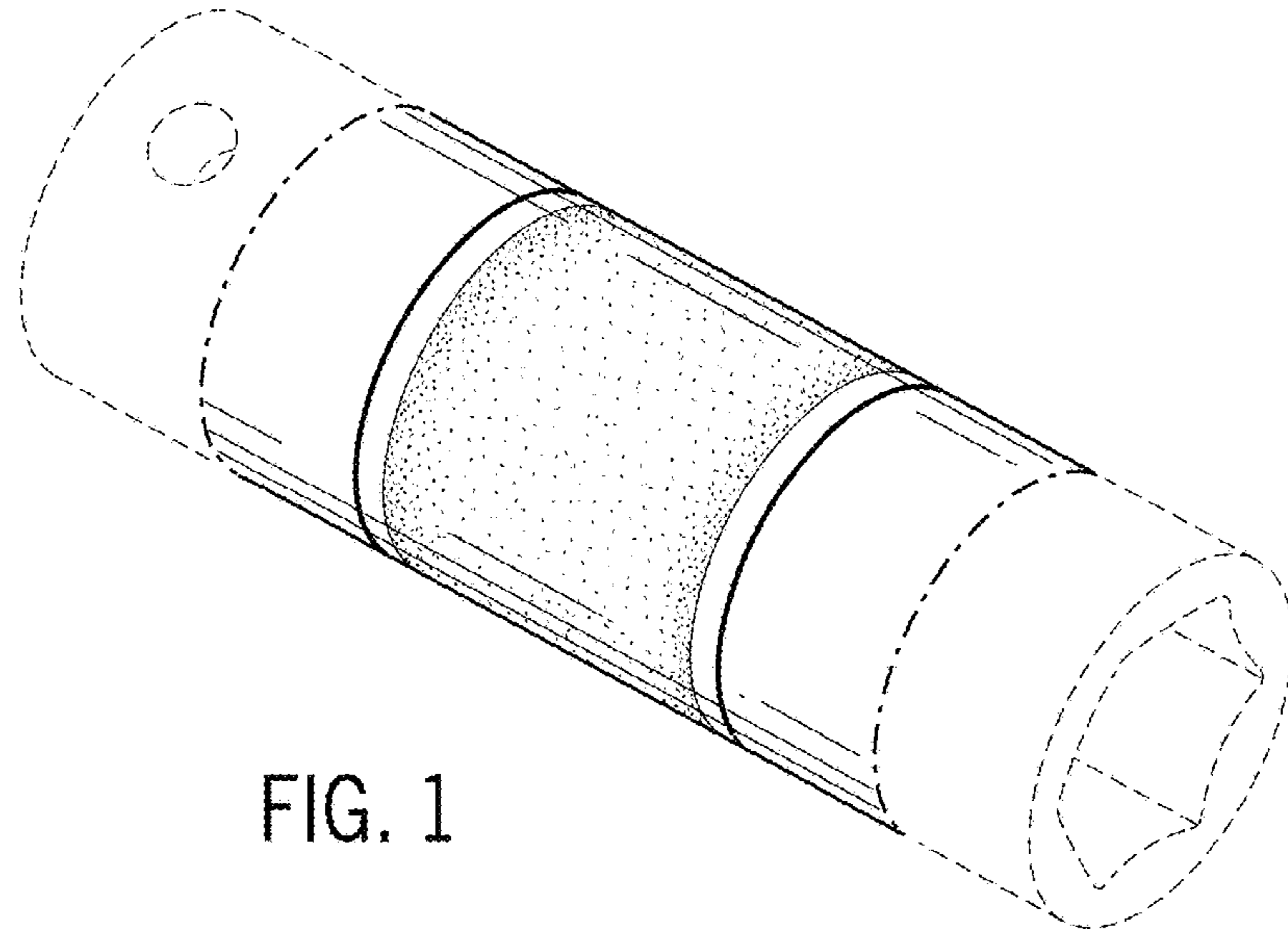


FIG. 1

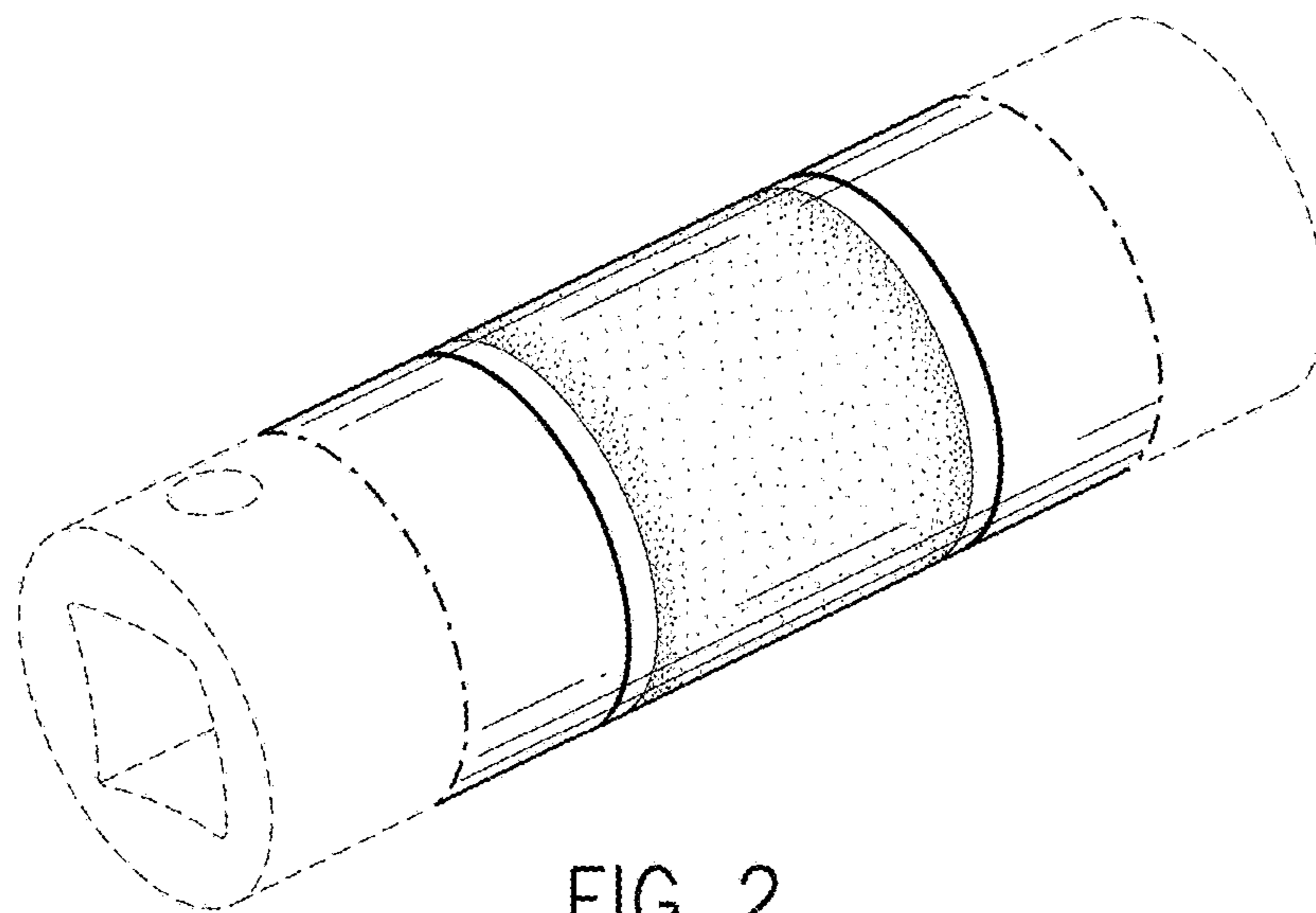


FIG. 2

FIG. 3

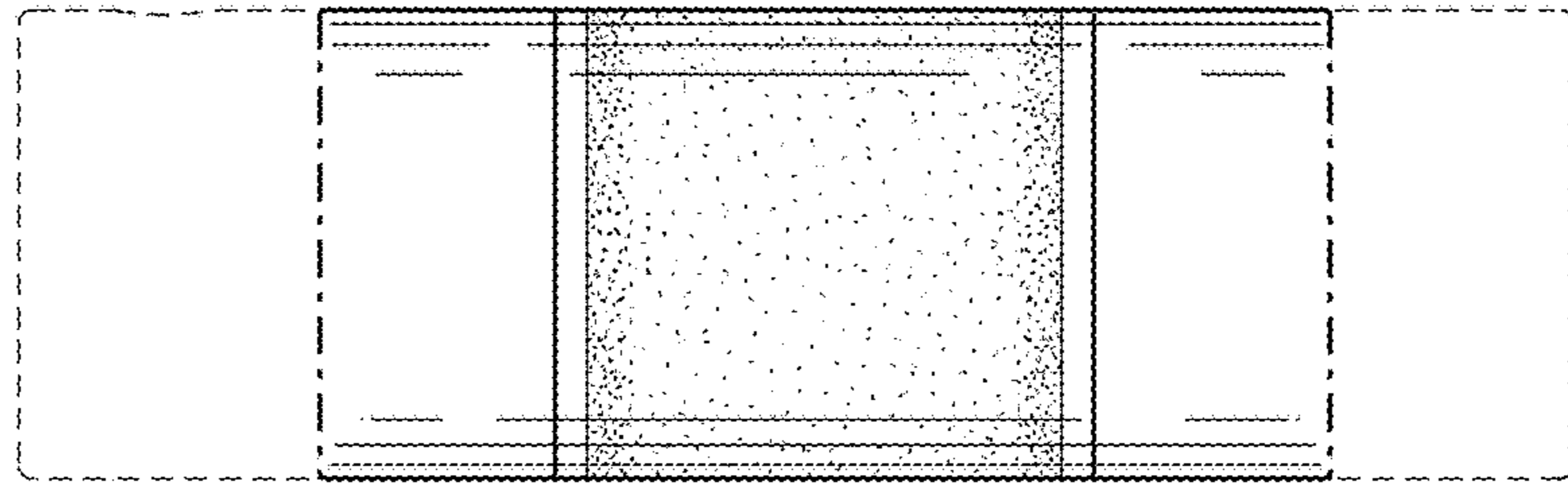


FIG. 4

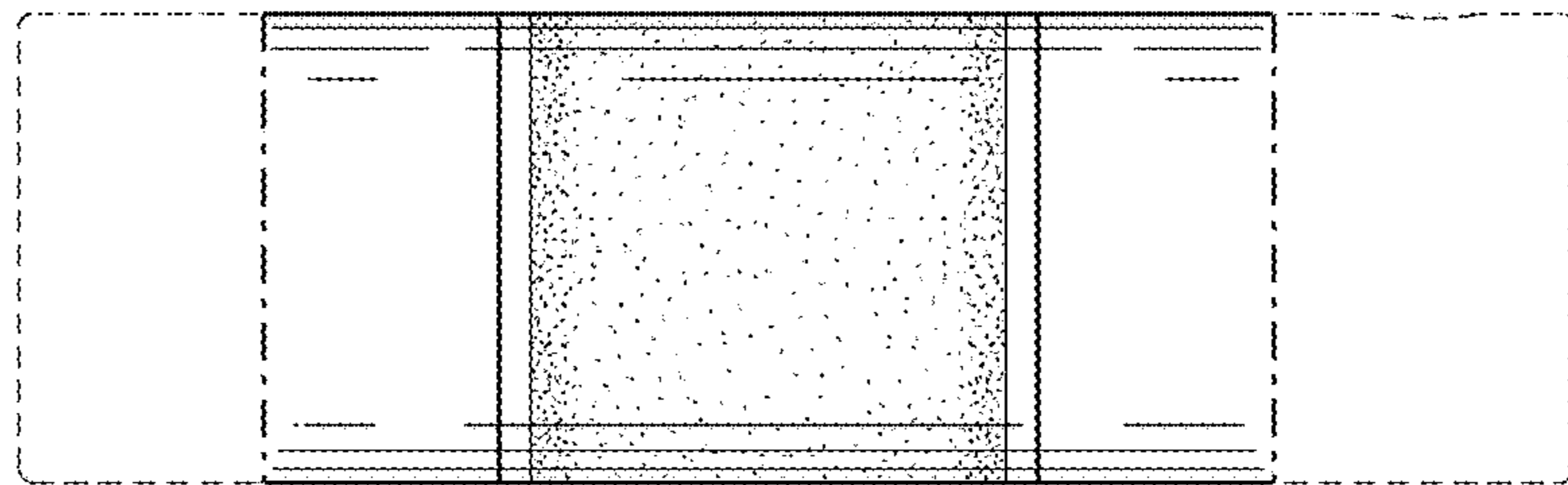


FIG. 5

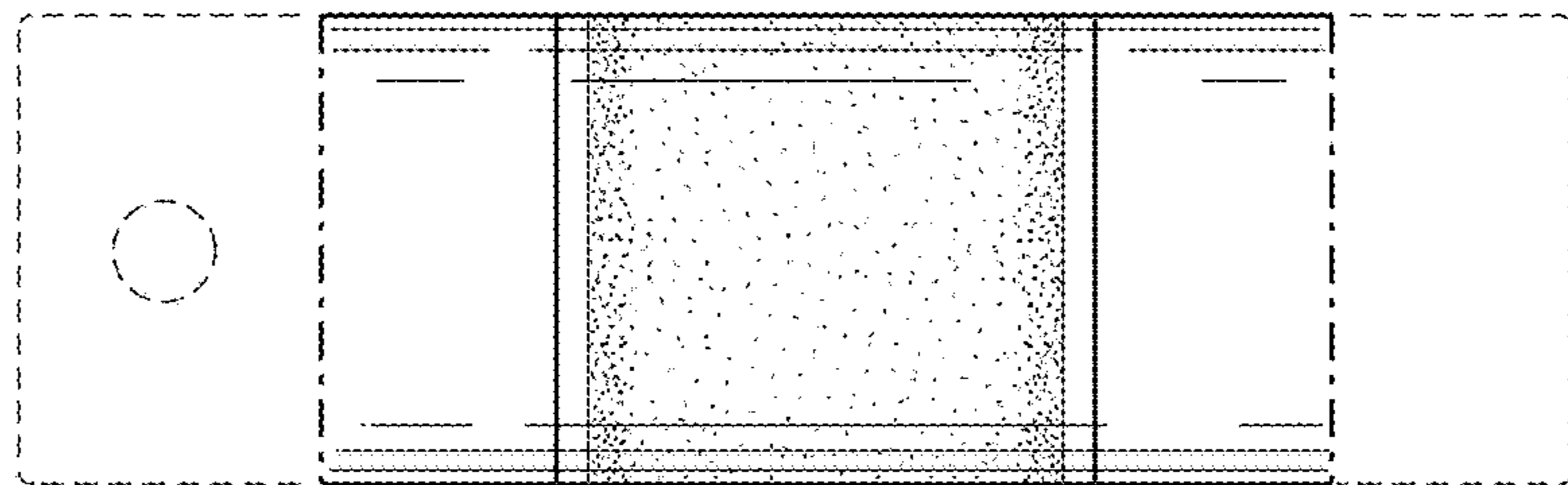
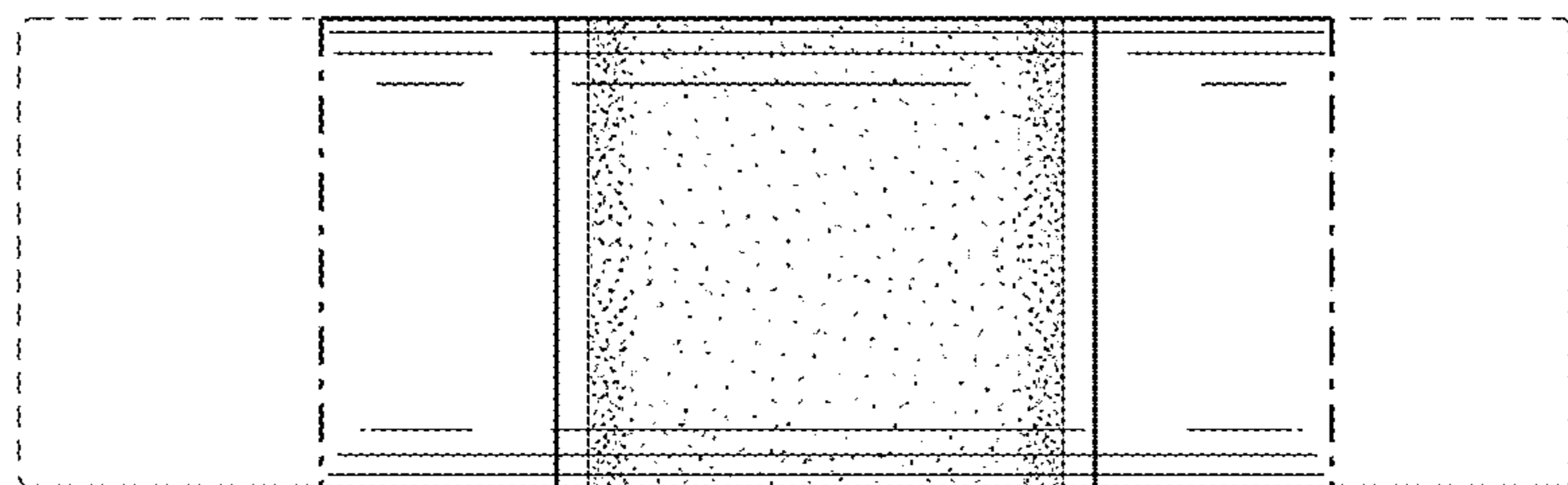


FIG. 6



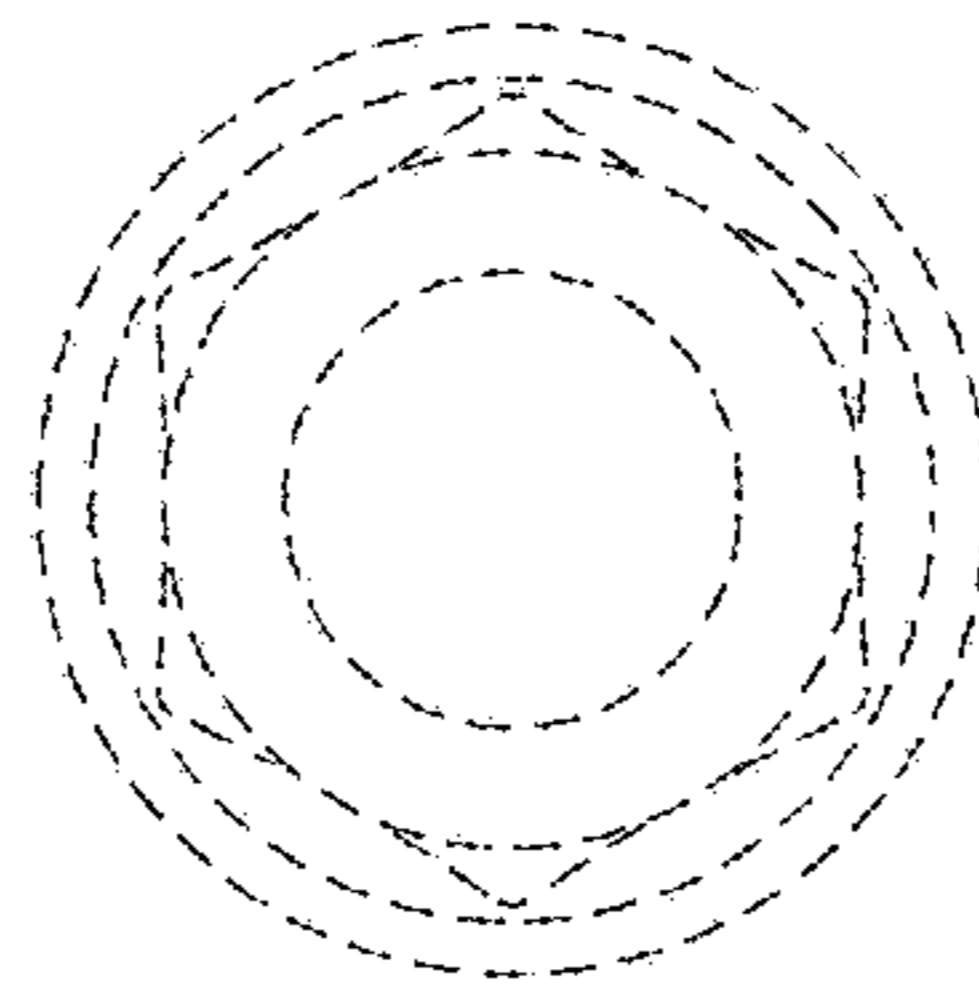


FIG. 7

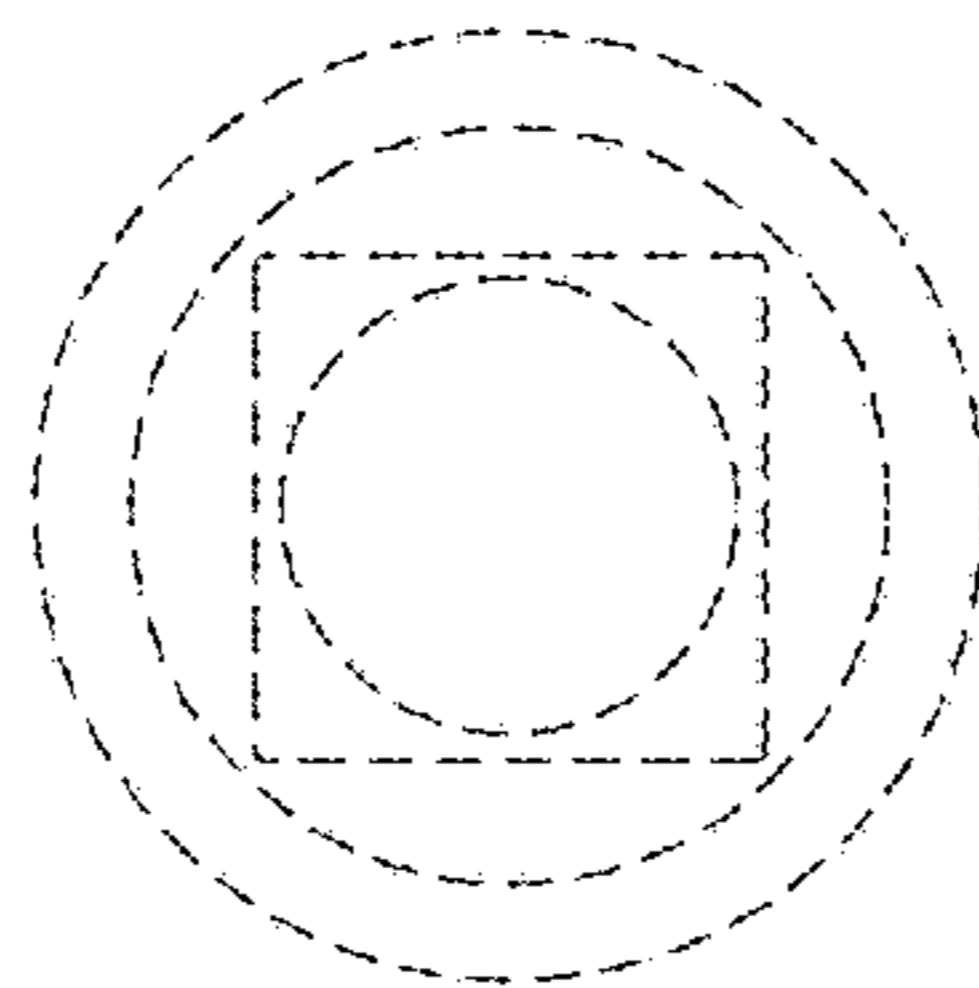


FIG. 8