

US00D849489S

(12) **United States Design Patent** (10) **Patent No.:** **US D849,489 S**  
**Evans** (45) **Date of Patent:** **\*\* May 28, 2019**

(54) **CHOPPING BOARDS**  
(71) Applicant: **JOSEPH JOSEPH, LTD**, London (GB)  
(72) Inventor: **Damian Evans**, Middlesex (GB)  
(73) Assignee: **JOSEPH JOSEPH LTD**, London (GB)  
(\*\*) Term: **15 Years**  
(21) Appl. No.: **29/633,988**  
(22) Filed: **Jan. 17, 2018**

4,133,238 A \* 1/1979 Jacobs ..... B26B 29/063  
83/466.1  
D362,374 S \* 9/1995 Roach ..... D7/673  
D573,196 S \* 7/2008 Johnson-Hunt ..... D19/90  
D623,029 S \* 9/2010 Russell, II ..... D7/698  
8,136,806 B2 \* 3/2012 Hsu ..... A47J 47/16  
269/289 R  
D665,635 S \* 8/2012 Evans ..... B42F 17/00  
D7/698  
D682,633 S \* 5/2013 Evans ..... D7/698  
D689,750 S \* 9/2013 Wang ..... B42F 19/00  
D7/698  
D757,506 S \* 5/2016 Evans ..... G03B 21/58  
D7/698  
D792,175 S \* 7/2017 Evans ..... A47J 47/16  
D19/99

(30) **Foreign Application Priority Data**  
Jul. 17, 2017 (EM) ..... 004107217-0018  
(51) **LOC (11) Cl.** ..... **07-04**  
(52) **U.S. Cl.**  
USPC ..... **D7/698; D7/699**  
(58) **Field of Classification Search**  
USPC ..... D7/543, 549, 550.1, 586, 673, 698-699;  
D19/90; D32/55-57  
CPC ..... A47J 47/00; A47J 47/005; A47J 47/16;  
A47J 47/20; B26D 7/0006; B26D 7/018;  
B26D 7/20; B23D 21/00; B23K 37/04;  
B23K 37/053; B23Q 16/001; B25H 1/00;  
B26B 29/063; B42F 17/00; B42F 19/00;  
G03B 21/58  
See application file for complete search history.

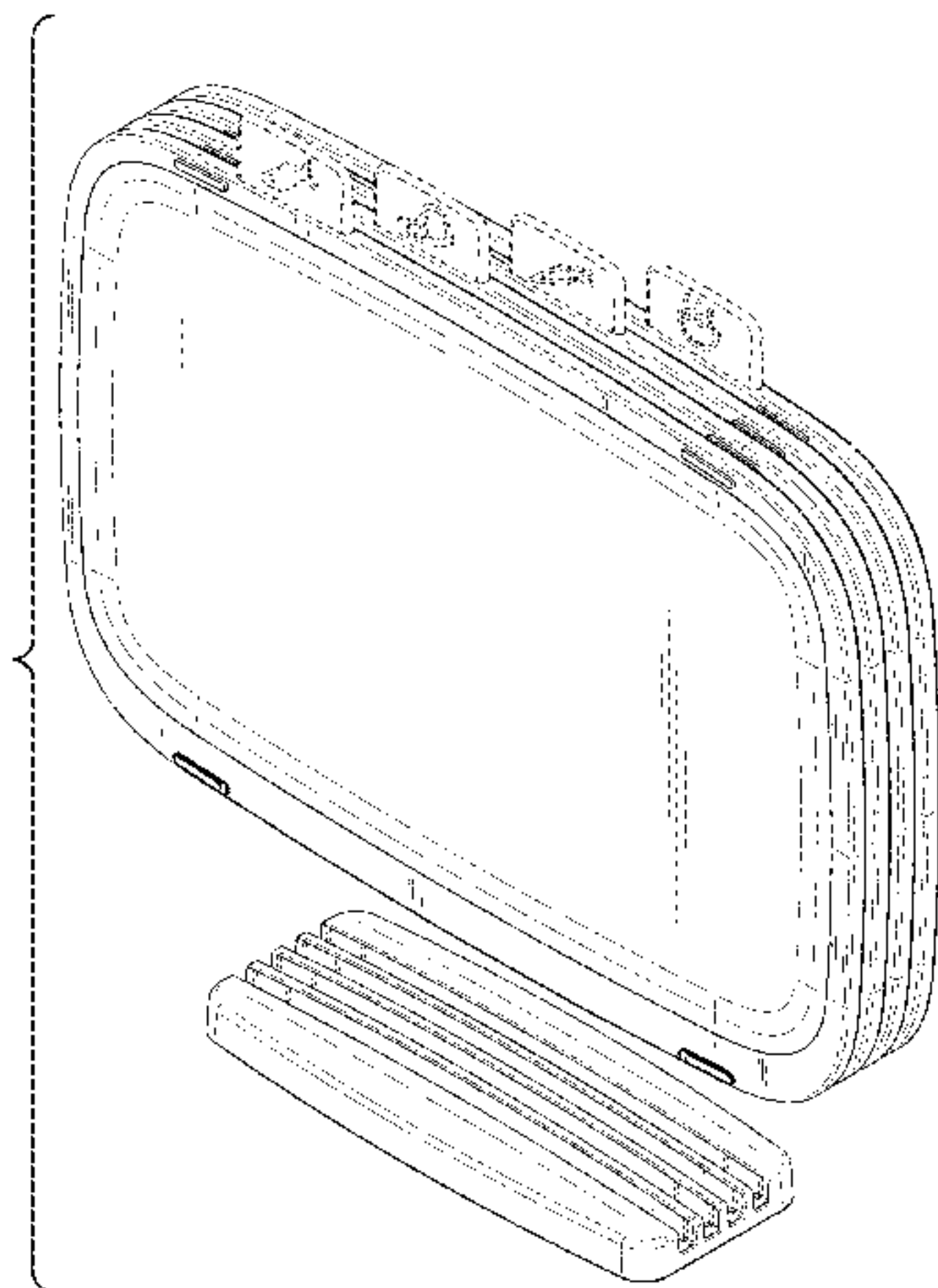
\* cited by examiner  
*Primary Examiner* — Ricky Pham  
(74) *Attorney, Agent, or Firm* — Millen, White, Zelano & Branigan, PC

(56) **References Cited**  
U.S. PATENT DOCUMENTS  
1,771,740 A \* 7/1930 Zion ..... B42F 17/00  
40/359  
1,864,077 A \* 6/1932 Lewis ..... G03B 21/58  
160/351  
2,480,686 A \* 8/1949 Aigner ..... B42F 19/00  
101/405

(57) **CLAIM**  
The ornamental design for a chopping boards, as shown and described.

**DESCRIPTION**  
FIG. 1 is a perspective view of the chopping boards showing my new design.  
FIG. 2 is a front view thereof.  
FIG. 3 is a back side view thereof.  
FIG. 4 is a side view thereof.  
FIG. 5 is another side view thereof.  
FIG. 6 is top side view thereof.  
FIG. 7 is a bottom view thereof; and,  
FIG. 8 is an exploded perspective view thereof.  
The broken lines in the drawings illustrate portions of the chopping boards which form no part of the claimed design.

**1 Claim, 8 Drawing Sheets**



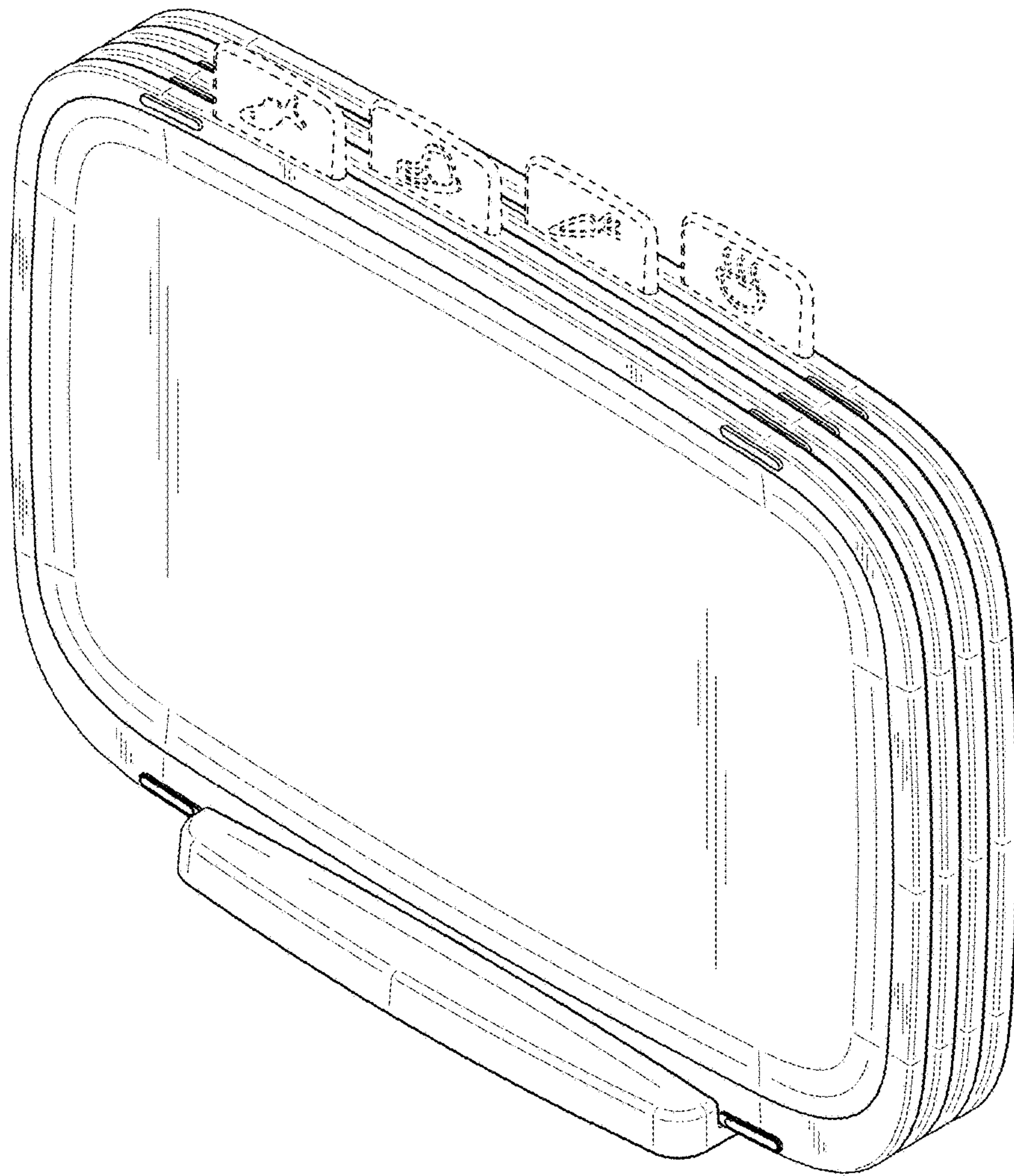


FIG. 1

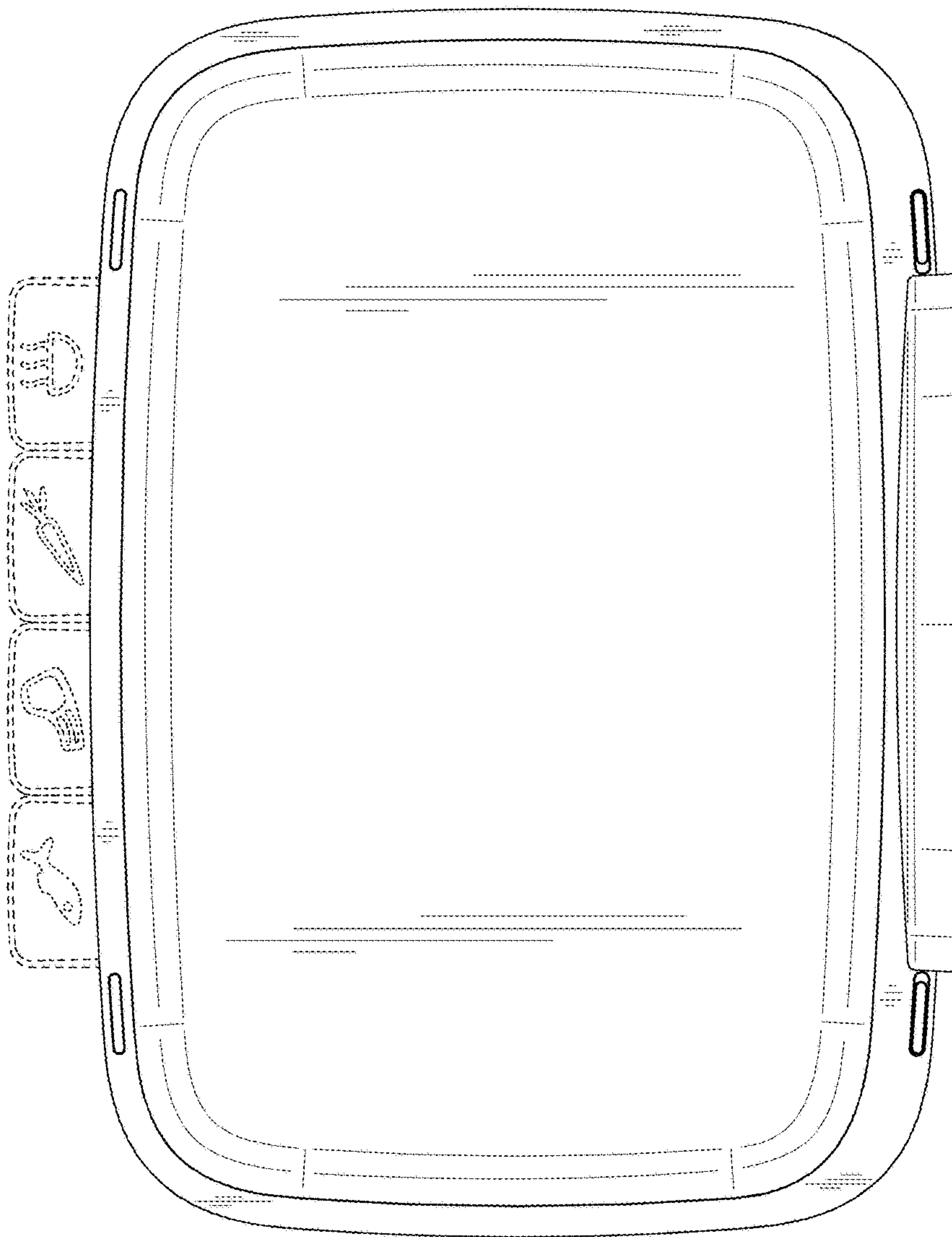


FIG. 2

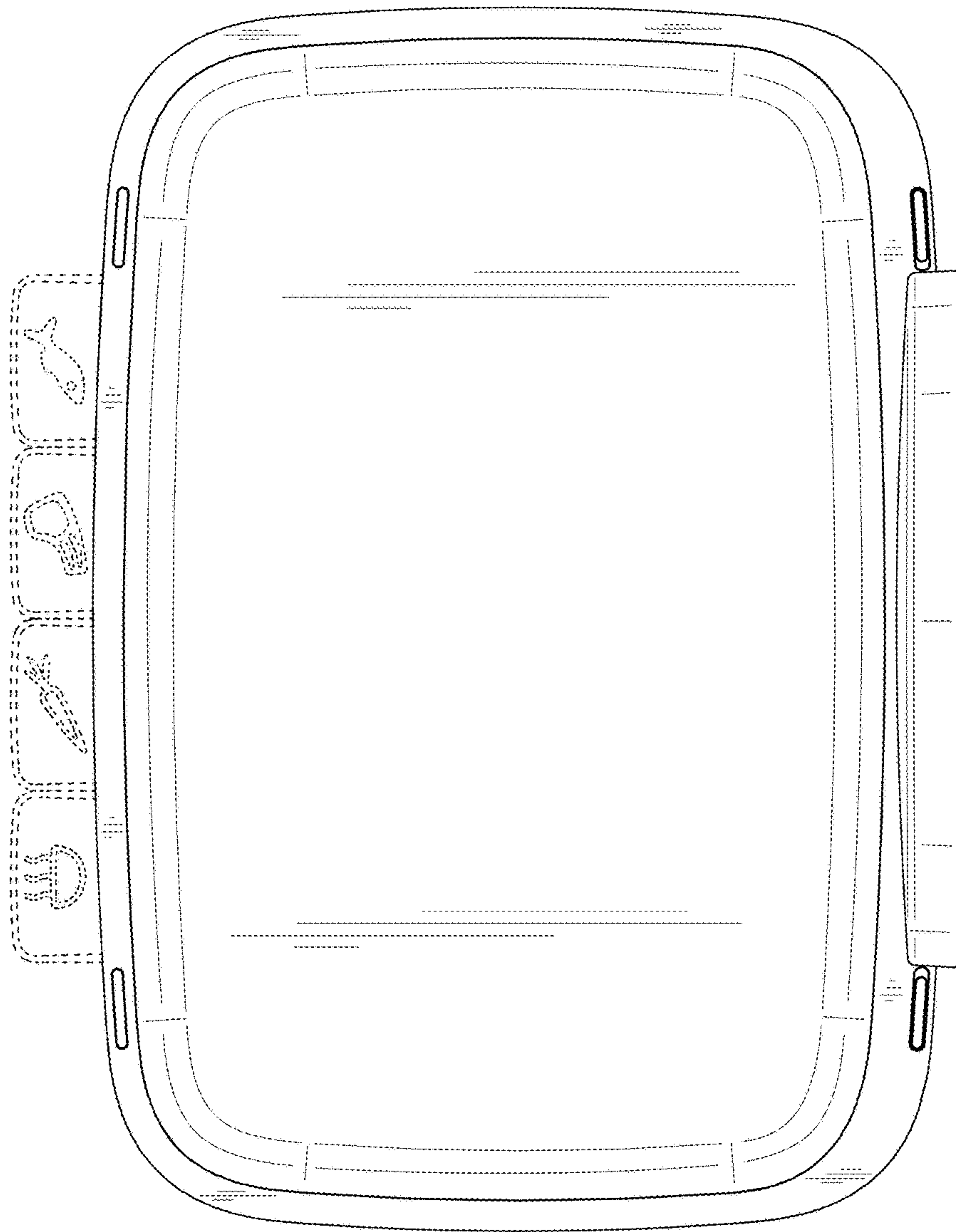


FIG. 3

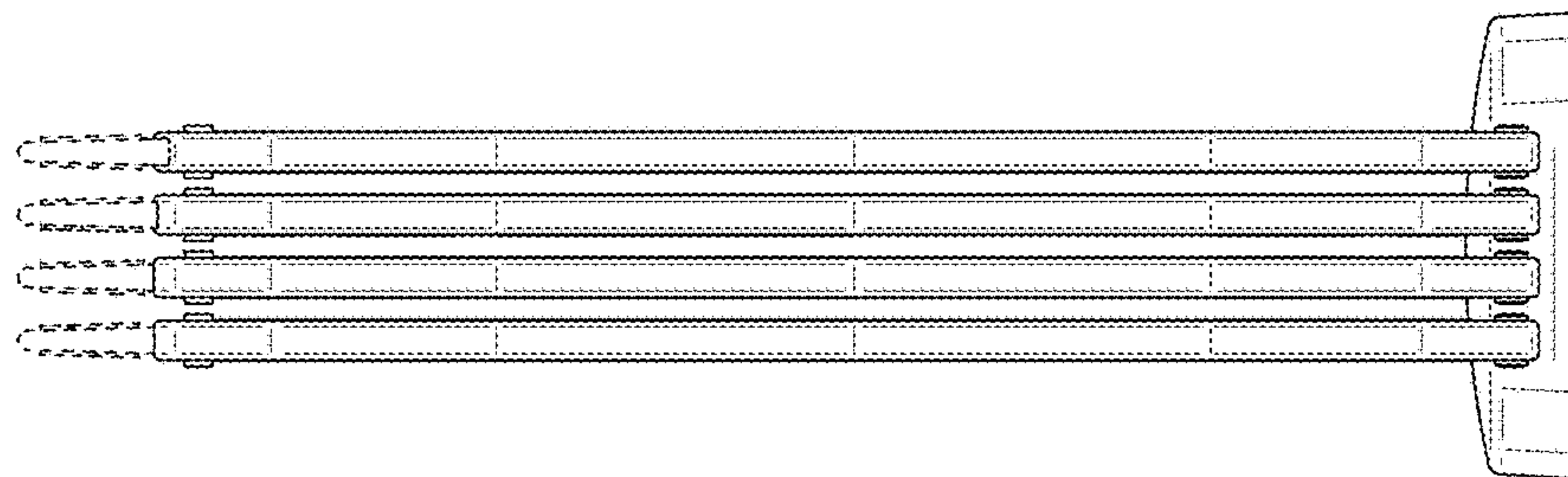


FIG. 4



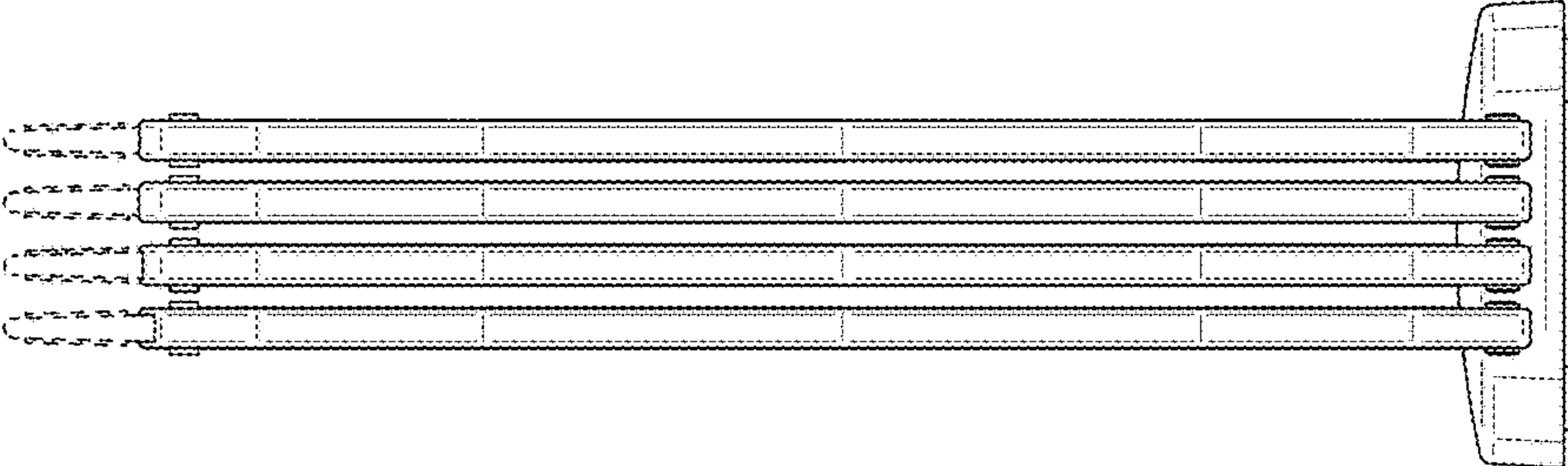


FIG. 5

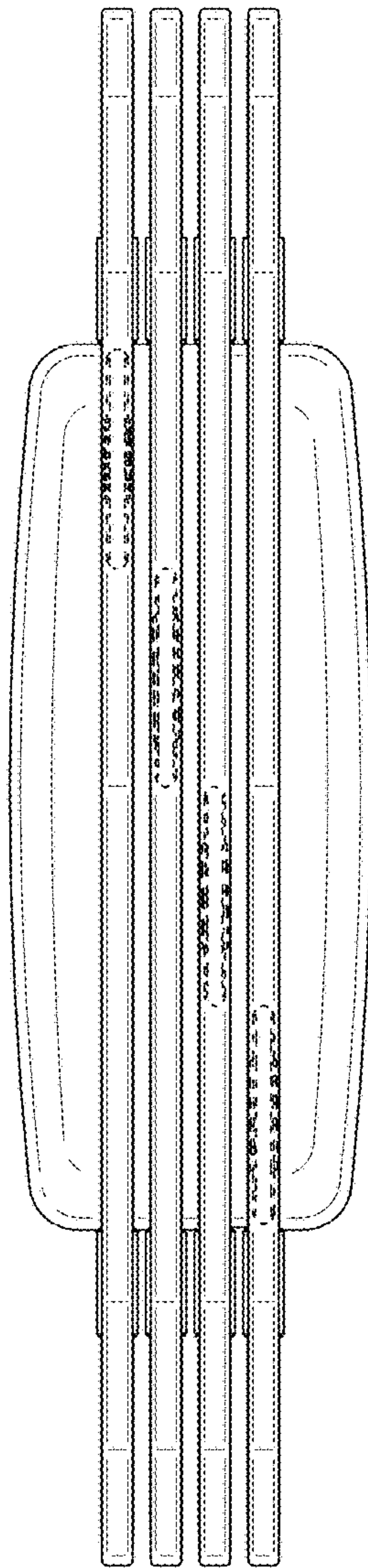


FIG. 6

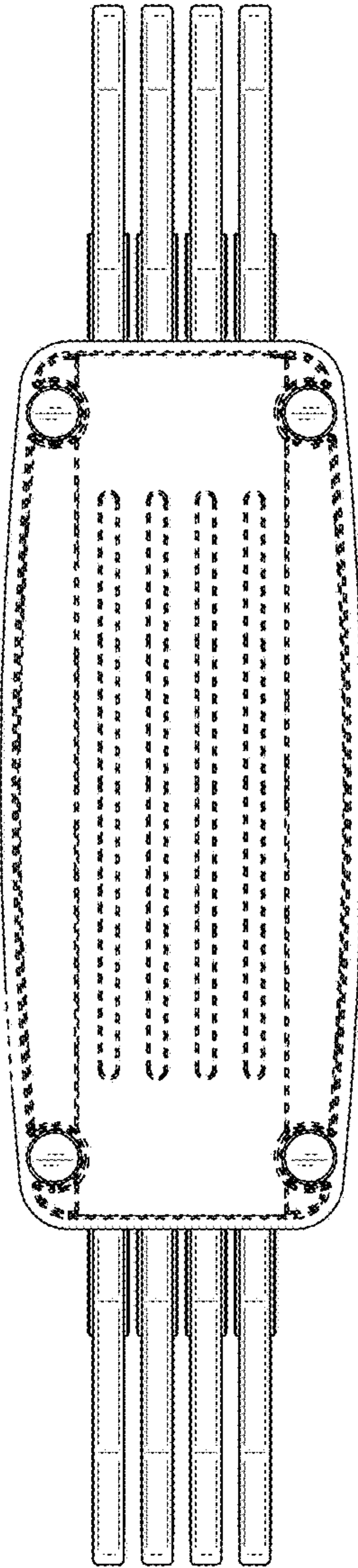


FIG. 7



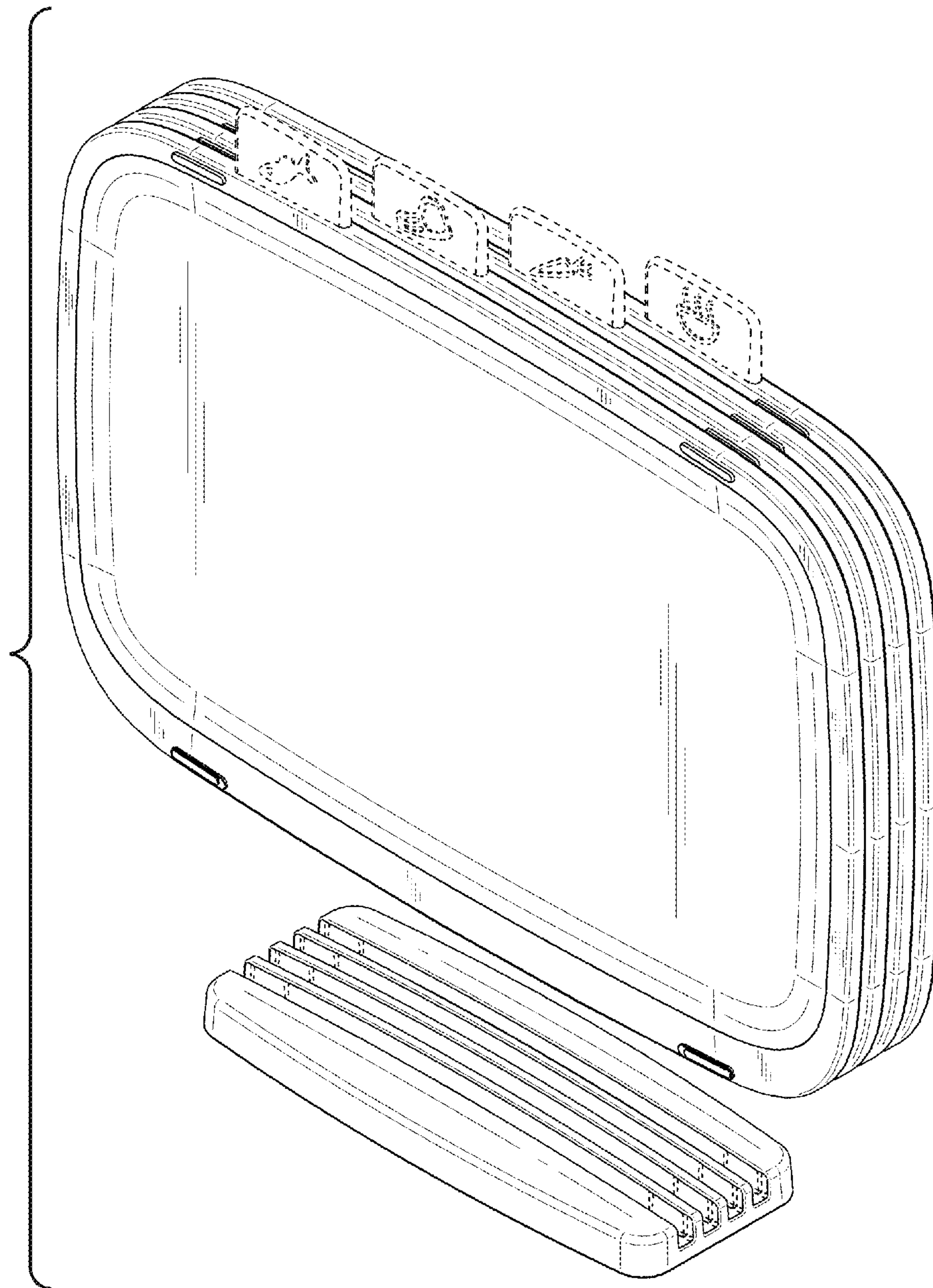


FIG. 8