



US00D849488S

(12) **United States Design Patent** (10) **Patent No.:** **US D849,488 S**
 Holding et al. (45) **Date of Patent:** **** May 28, 2019**

(54) **GARLIC PRESS**
 (71) Applicant: **JOSEPH JOSEPH LTD.**, London (GB)
 (72) Inventors: **Bill Holding**, London (GB); **Ben Cox**, London (GB)
 (73) Assignee: **JOSEPH JOSEPH LTD**, London (GB)
 (**) Term: **15 Years**

5,101,720 A * 4/1992 Bianchi A47J 19/06
 100/112
 5,165,335 A * 11/1992 Bianchi A47J 19/06
 100/112
 5,463,941 A * 11/1995 Gibson A47J 19/06
 100/112
 D425,762 S * 5/2000 Short D7/666
 D499,941 S * 12/2004 Levien D7/666
 D530,162 S * 10/2006 Hussey D7/666
 8,534,190 B2 * 9/2013 Ericsson A47J 19/06
 100/112
 2016/0220056 A1 * 8/2016 Wong A47J 19/06

(21) Appl. No.: **29/633,985**
 (22) Filed: **Jan. 17, 2018**

* cited by examiner
 Primary Examiner — Terry A Wallace
 (74) Attorney, Agent, or Firm — Millen, White, Zelano & Branigan, PC

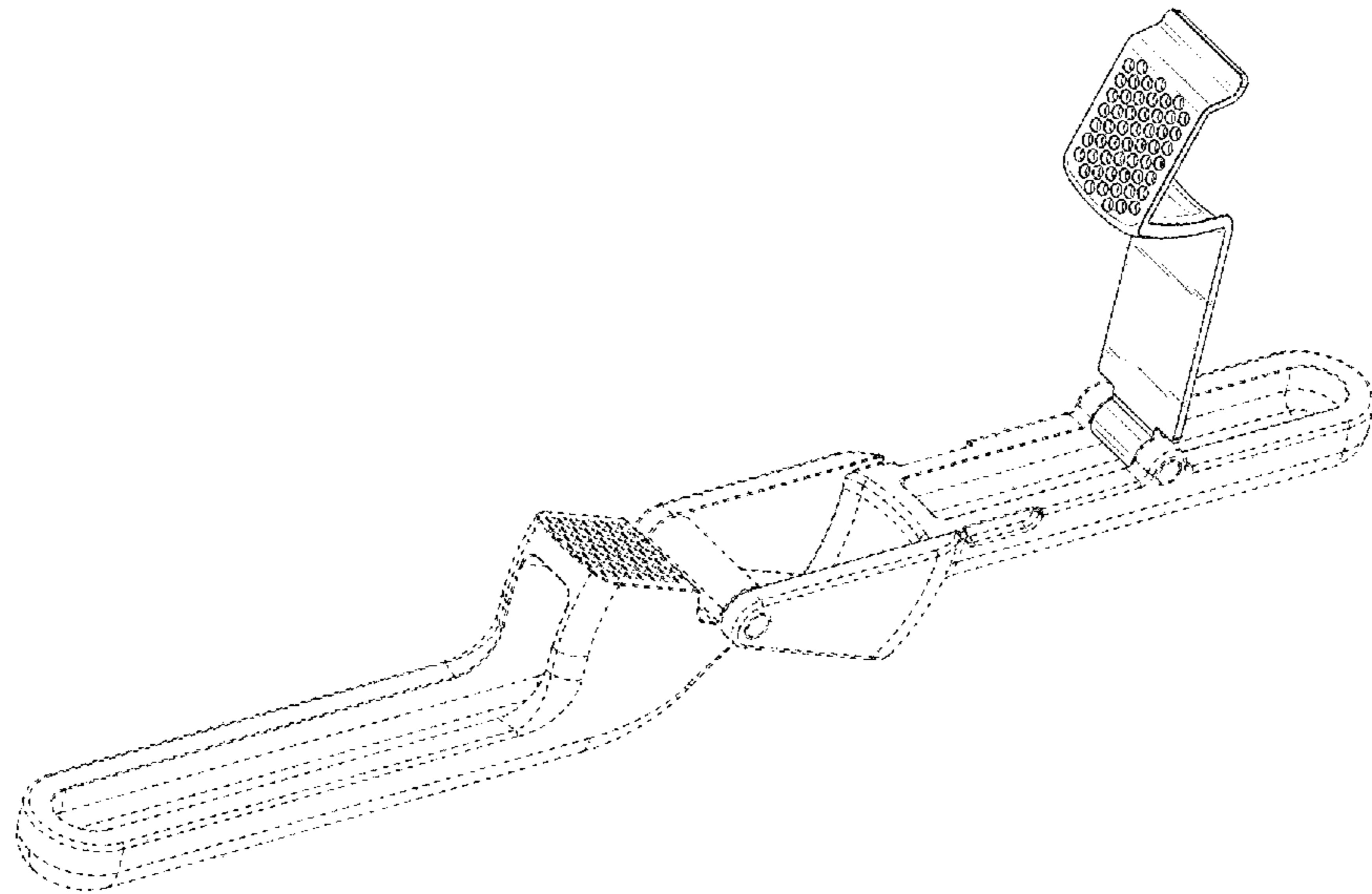
(30) **Foreign Application Priority Data**
 Jul. 17, 2017 (EM) 004107217-0009
 (51) **LOC (11) Cl.** **07-04**
 (52) **U.S. Cl.**
 USPC **D7/666**
 (58) **Field of Classification Search**
 USPC D7/665, 666, 678, 669, 693; D8/51-55
 CPC . B26B 13/06; B26B 5/008; B30B 9/04; A47J
 19/06; A47J 19/005; A47J 19/022; A47J
 43/286; A22C 9/008
 See application file for complete search history.

(57) **CLAIM**
 The ornamental design for a garlic press, as shown and described.

(56) **References Cited**
 U.S. PATENT DOCUMENTS
 2,776,616 A * 1/1957 Sarossy A47J 19/06
 100/125
 4,466,346 A * 8/1984 Gemelli A47J 19/06
 100/112
 4,545,299 A * 10/1985 Ahner A47J 19/06
 100/112

DESCRIPTION
 FIG. 1 is a right side view of the garlic press showing my new design.
 FIG. 2 is as front view thereof.
 FIG. 3 is a left side view thereof.
 FIG. 4 is a rear view thereof.
 FIG. 5 is a top plan view thereof.
 FIG. 6 is a bottom plan view thereof.
 FIG. 7 is a front perspective view thereof.
 FIG. 8 is a perspective view thereof in an open position.
 FIG. 9 is a perspective view thereof in an open position.
 FIG. 10 is a side view of FIG. 8; and,
 FIG. 11 is a side view of FIG. 9.
 The broken lines in the drawings illustrate portions of the garlic press which form no part of the claimed design.

1 Claim, 11 Drawing Sheets



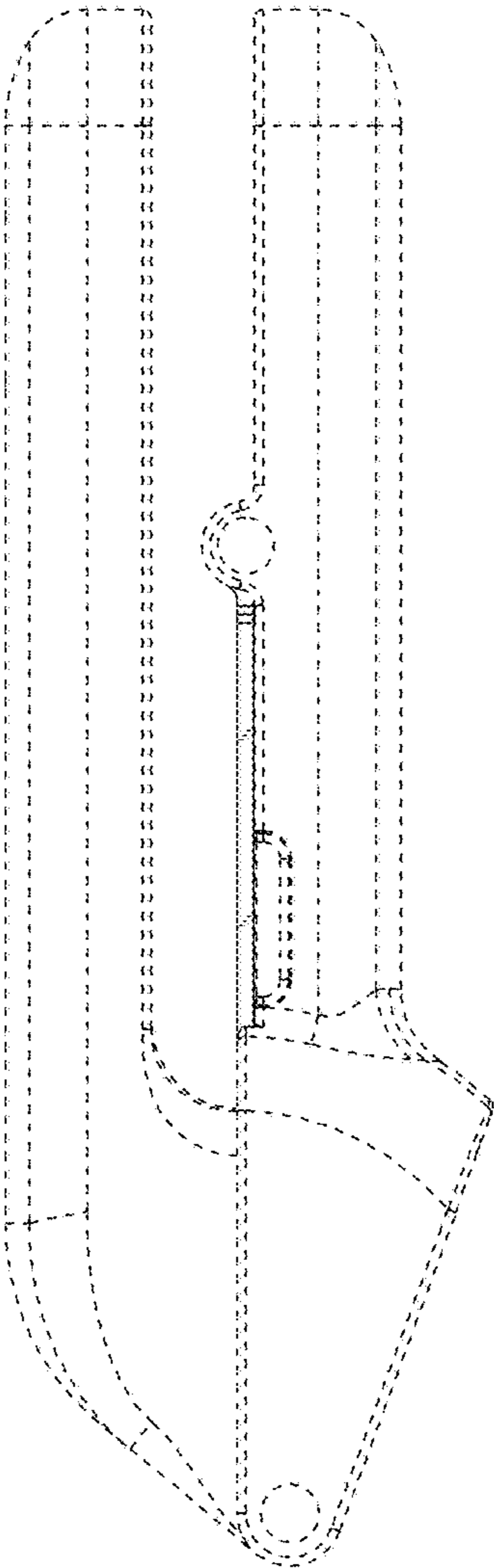


FIG. 1

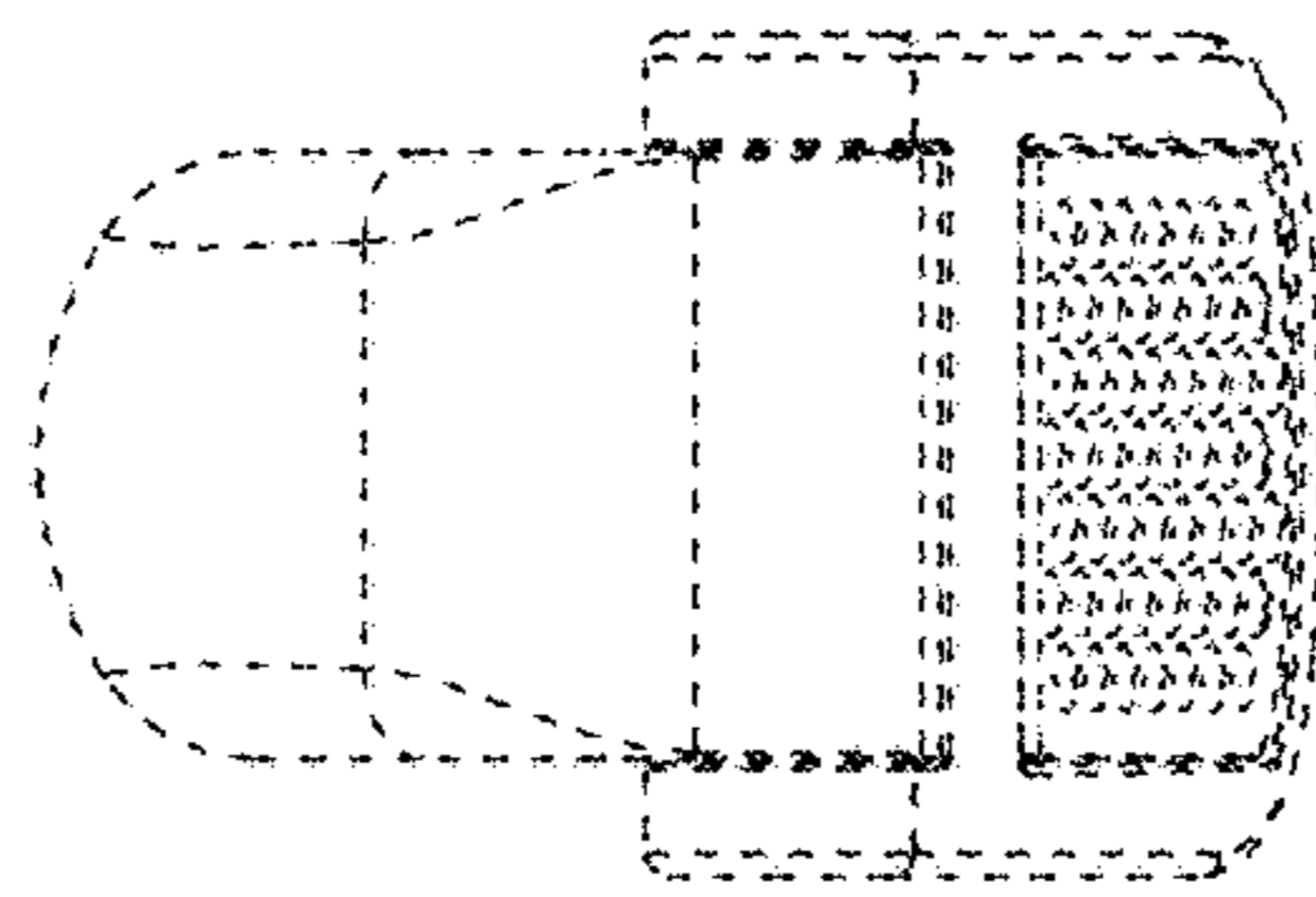


FIG. 2

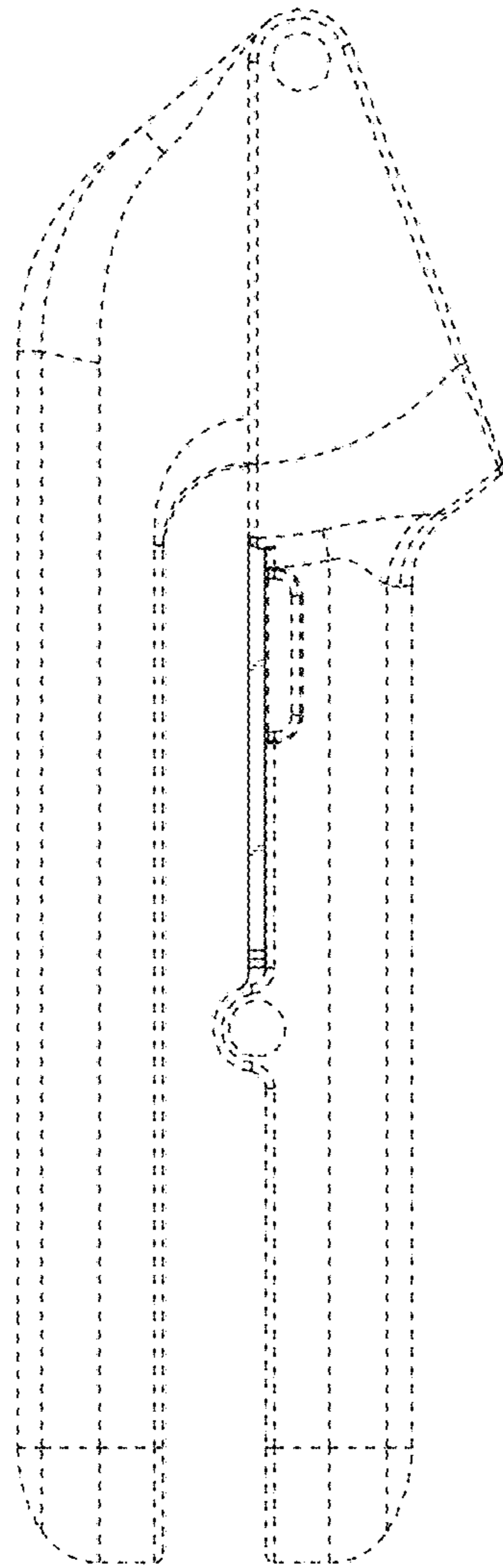


FIG. 3

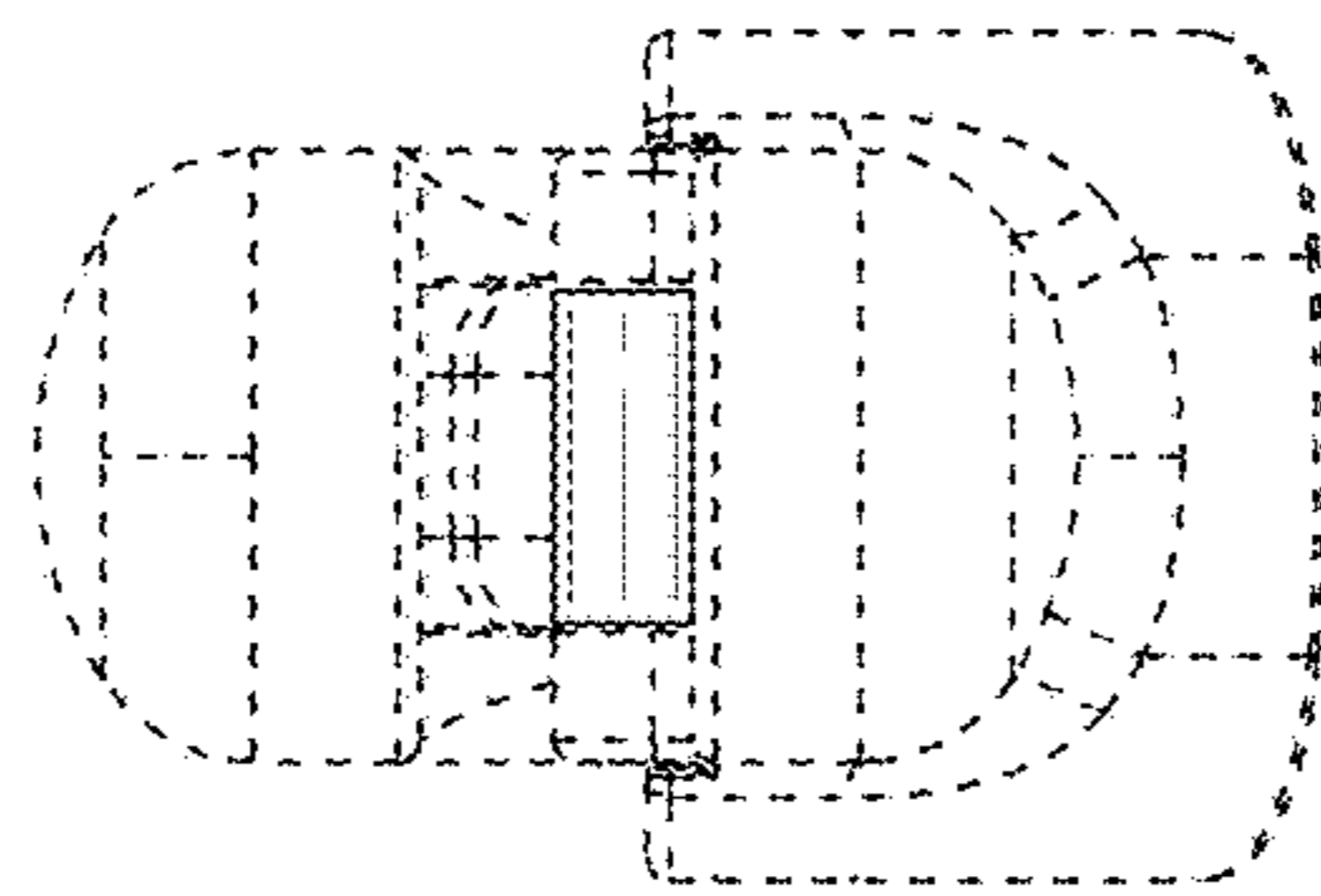


FIG. 4

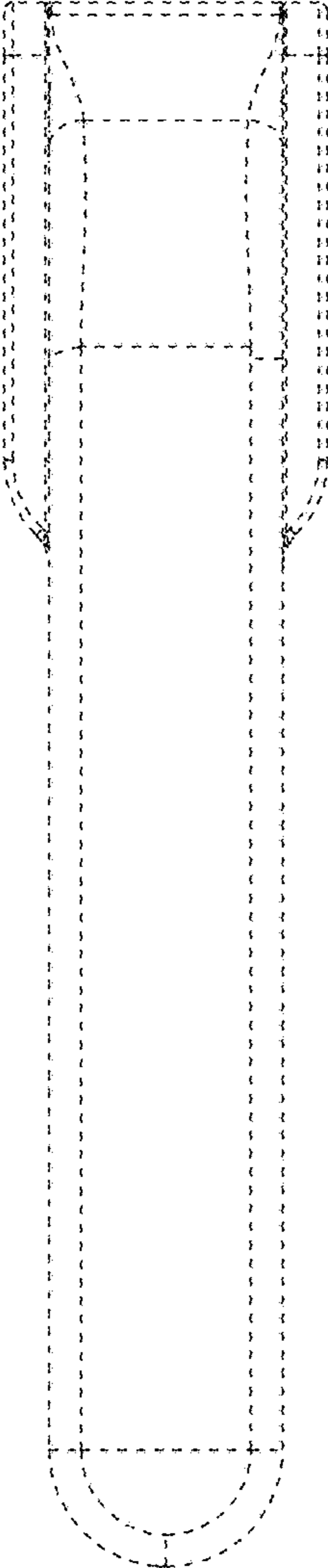


FIG. 5

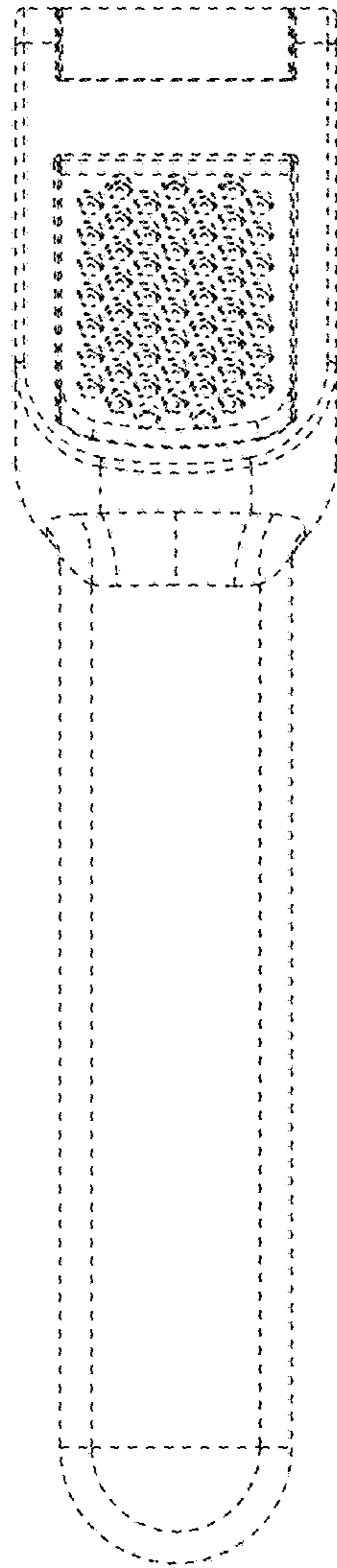


FIG. 6

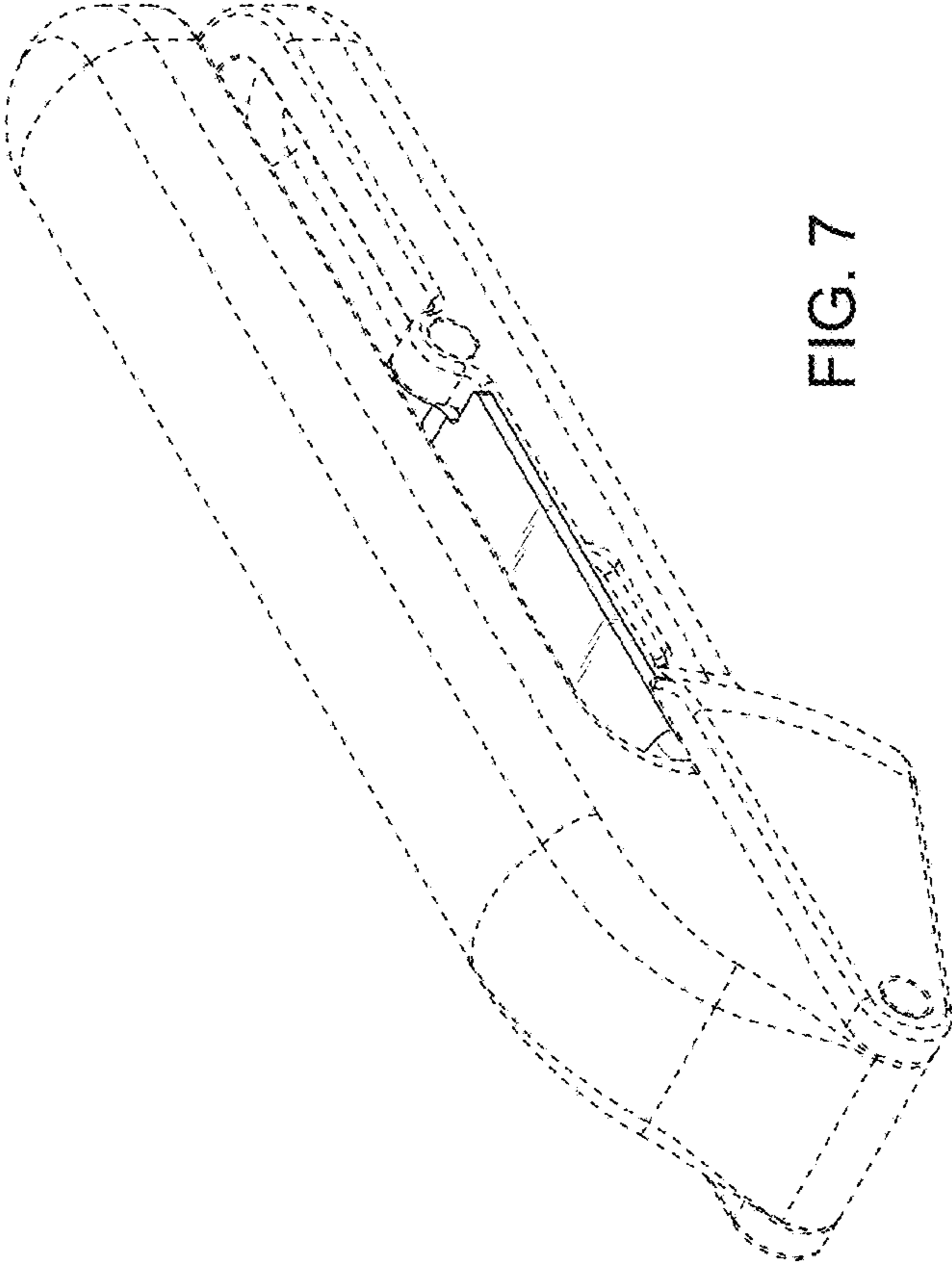


FIG. 7

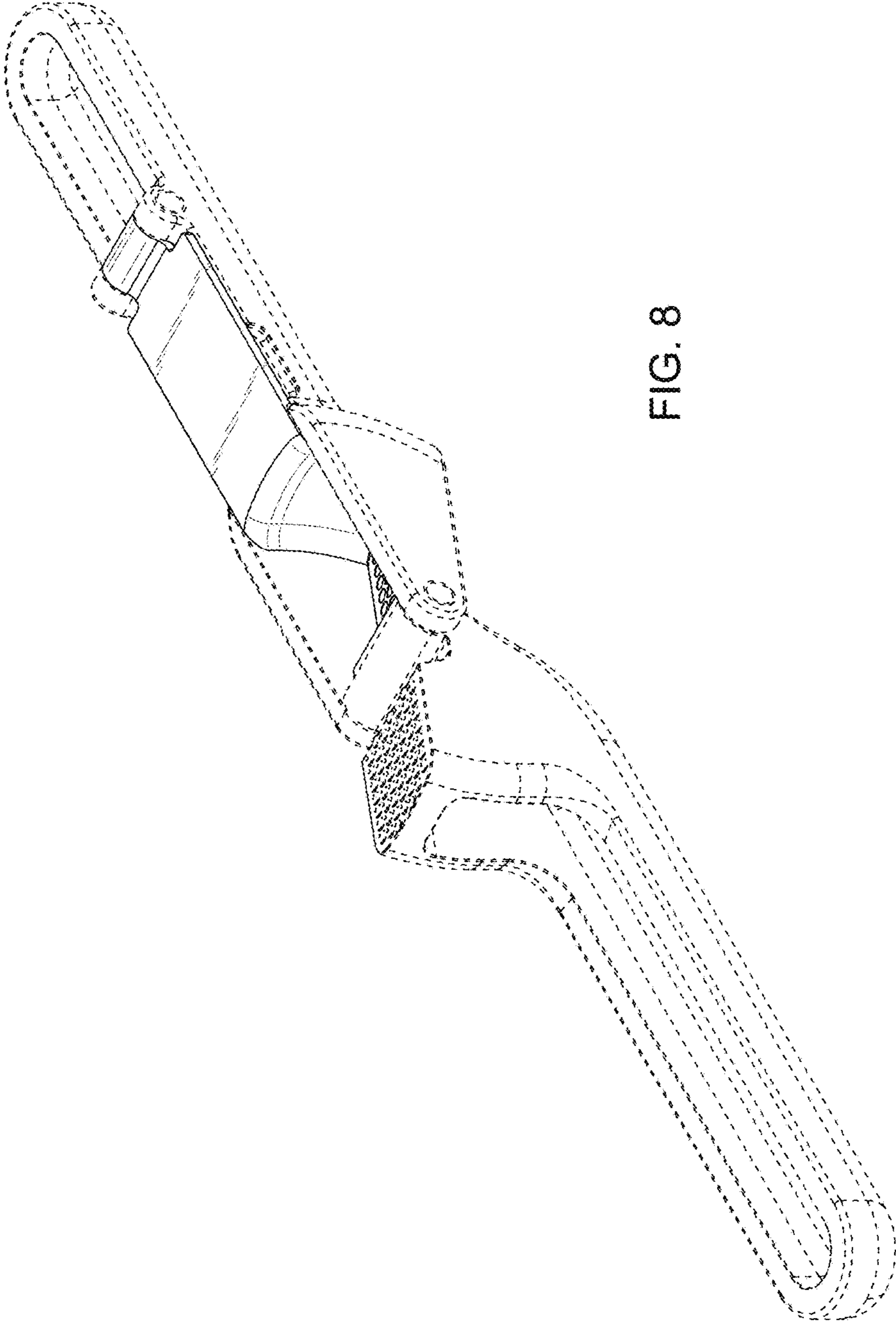


FIG. 8

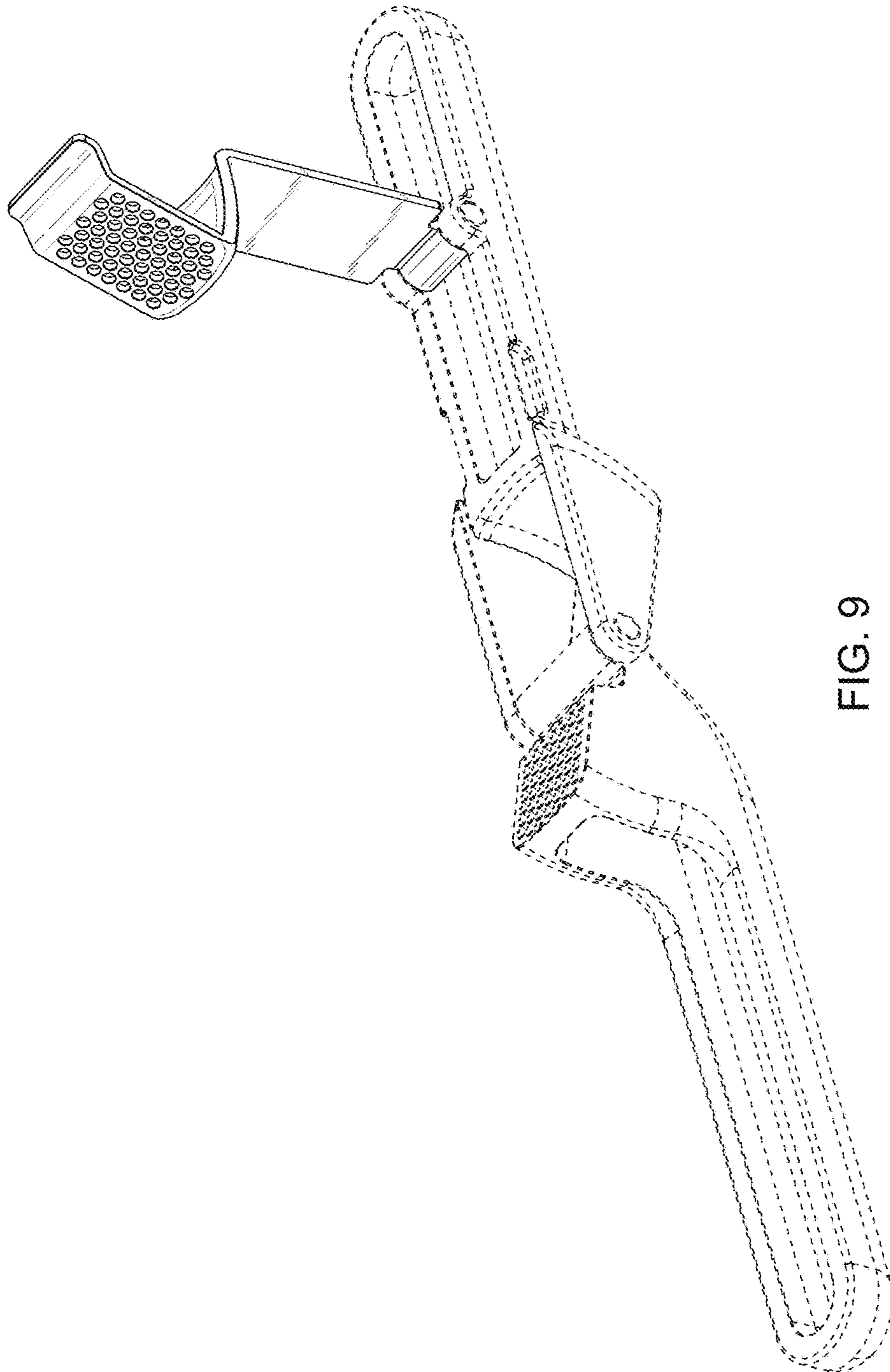


FIG. 9

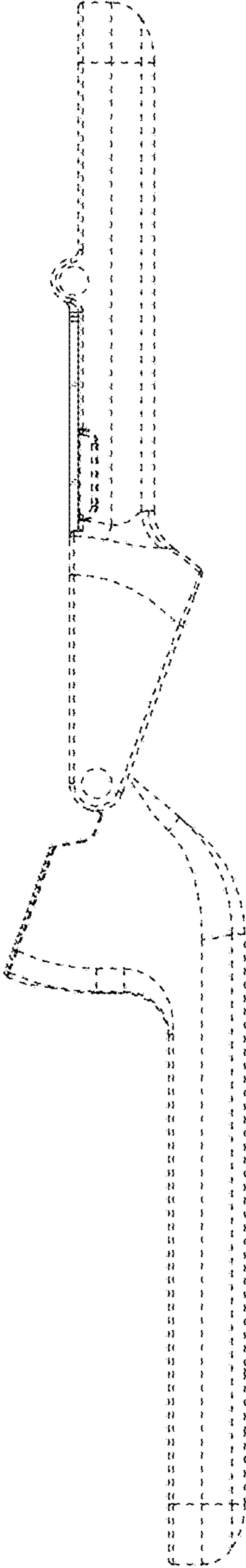


FIG. 10

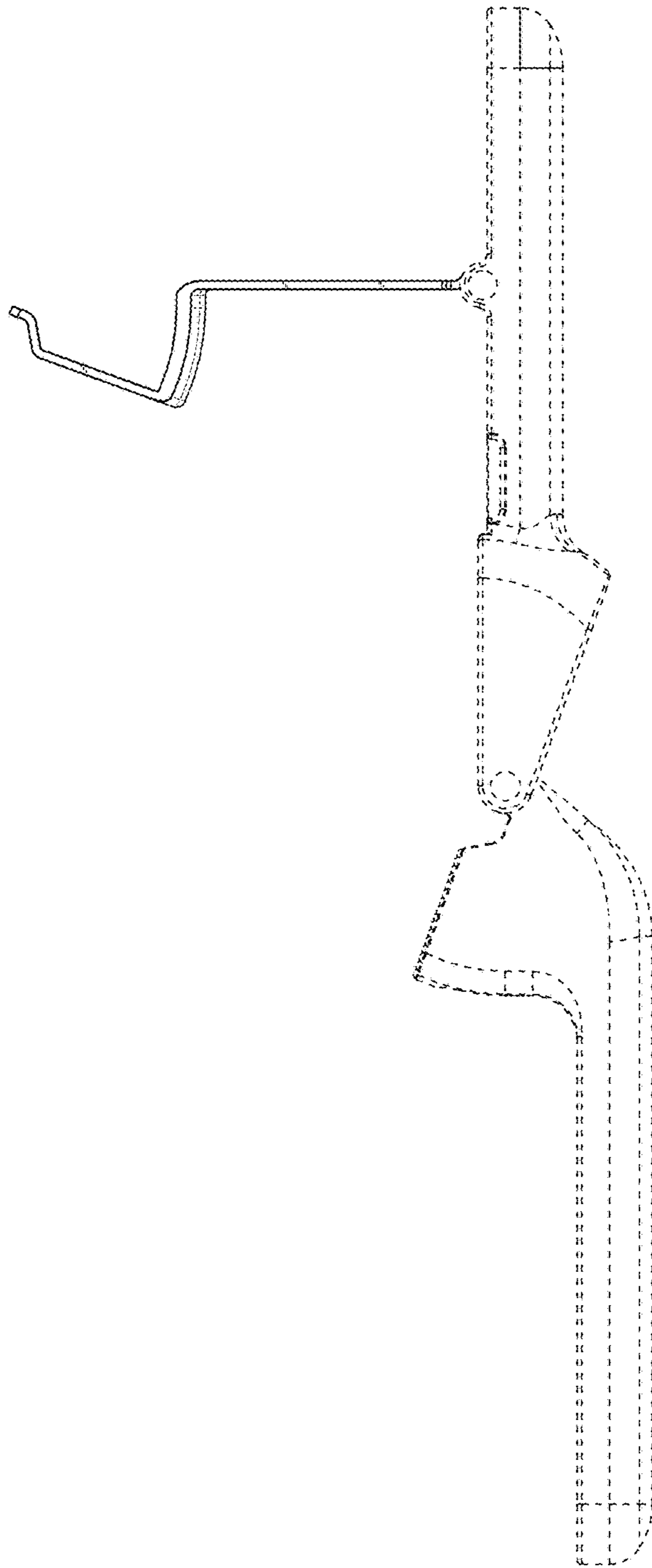


FIG. 11