



US00D849487S

(12) **United States Design Patent** (10) **Patent No.:** **US D849,487 S**  
**Berger** (45) **Date of Patent:** **\*\* May 28, 2019**

(54) **KNIFE AND KNIFE HANDLE**  
(71) Applicant: **Ed. Wüsthof Dreizackwerk KG**, Solingen (DE)  
(72) Inventor: **Björn Berger**, Berlin (DE)  
(73) Assignee: **Ed. Wüsthof Dreizackwerk KG**, Solingen (DE)  
(\*\*) Term: **15 Years**  
(21) Appl. No.: **29/607,060**  
(22) Filed: **Jun. 9, 2017**

(30) **Foreign Application Priority Data**  
Dec. 15, 2016 (EM) ..... 003520410-0007  
Dec. 15, 2016 (EM) ..... 003520410-0009  
(51) **LOC (11) Cl.** ..... **07-03**  
(52) **U.S. Cl.**  
USPC ..... **D7/649; D7/401.2**  
(58) **Field of Classification Search**  
USPC ..... D7/393-395, 401.2, 642-652, 693, D7/695-696; D8/93, 97-100, 107, 300, D8/321; D22/117-118  
CPC ..... A01B 1/20; A01B 1/22; A22C 25/006; A47G 21/06; A47G 21/065; A61B 17/3211; A61B 17/3213; B21D 53/64; B25G 1/102; B25G 3/32; B25G 3/36; B26B 1/00; B26B 1/04; B26B 1/08; B26B 1/10; B26B 3/00; B26B 3/02; B26B 3/03; B26B 3/04; B26B 3/06; B26B 5/00; B26B 5/001; B26B 5/003; B26B 5/007; B26B 7/00; B26B 7/005; B26B 9/00; B26B 9/02; B26B 11/00; B26B 11/006; B26B 17/00; B26B 17/006; B26B 29/02

See application file for complete search history.

(56) **References Cited**  
U.S. PATENT DOCUMENTS

5,081,770 A	1/1992	Fierthaler	
6,625,890 B2	9/2003	Hufnagel et al.	
D499,301 S	12/2004	Chen	
D539,082 S *	3/2007	Molayem .....	D7/393
D539,616 S	4/2007	Taylor et al.	
D553,916 S	10/2007	Ono	
D557,081 S	12/2007	Hadj-Chikh et al.	
D624,369 S *	9/2010	Gerlach .....	D7/649
D632,934 S	2/2011	Thun	
D633,345 S	3/2011	Ranieri	
D643,258 S	8/2011	Spiegel	
D643,263 S	8/2011	Spiegel	
D649,411 S	11/2011	Lo	
D649,841 S	12/2011	Lo	
D661,553 S	6/2012	Bauer	
D674,670 S	1/2013	Thun	
D706,085 S	6/2014	Tarrerias	
D710,158 S	8/2014	Berger	
D749,915 S *	2/2016	Haas .....	D7/649
D764,867 S	8/2016	Haas	

(Continued)

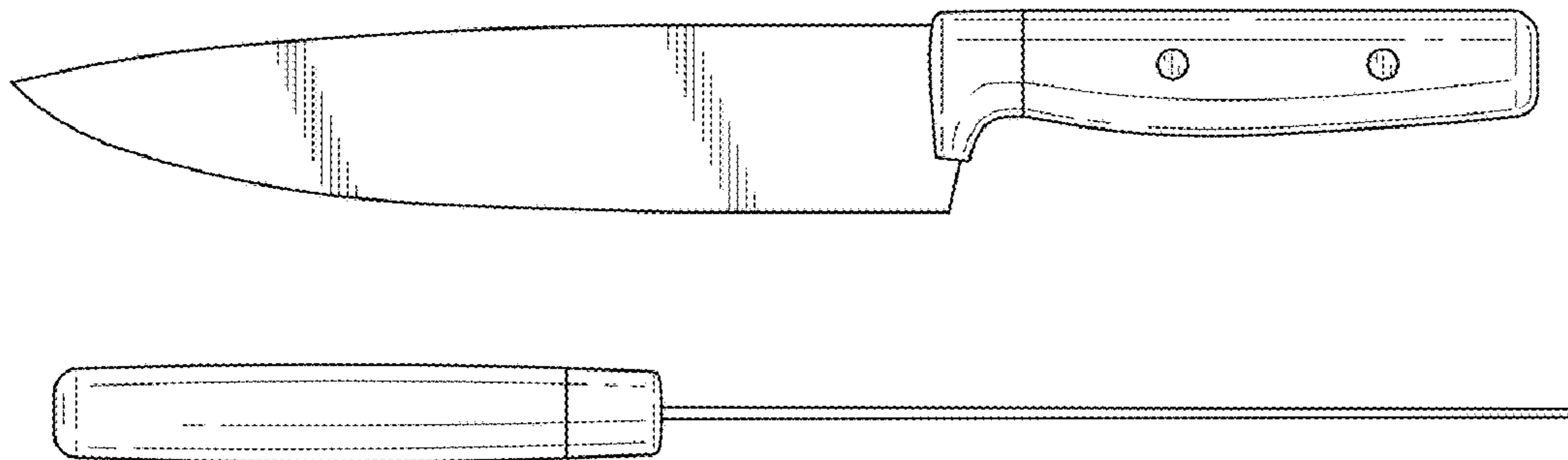
*Primary Examiner* — Ricky Pham  
(74) *Attorney, Agent, or Firm* — Cahn & Samuels, LLP

(57) **CLAIM**  
The ornamental design for a knife and knife handle, as shown and described.

**DESCRIPTION**

FIG. 1 is a left side view of a knife according to the present invention.  
FIG. 2 is a top view of the knife of FIG. 1.  
FIG. 3 is a right side view of the knife of FIG. 1.  
FIG. 4 is a bottom view of a knife of FIG. 1.  
FIG. 5 is a front view of the knife of FIG. 1.  
FIG. 6 is a rear view of the knife of FIG. 1; and,  
FIG. 7 is a bottom perspective view of the knife of FIG. 1.  
Color forms no part of the design sought to be claimed.

**1 Claim, 2 Drawing Sheets**



(56)

**References Cited**

U.S. PATENT DOCUMENTS

D770,849 S	11/2016	de la Coussaye	
D773,886 S *	12/2016	McConnell .....	D7/401.2
D773,891 S *	12/2016	Liu .....	D7/401.2
D792,151 S *	7/2017	Berger .....	D7/401.2
D807,696 S *	1/2018	Liu .....	D7/401.2
D809,339 S *	2/2018	Lo .....	D7/401.2

\* cited by examiner

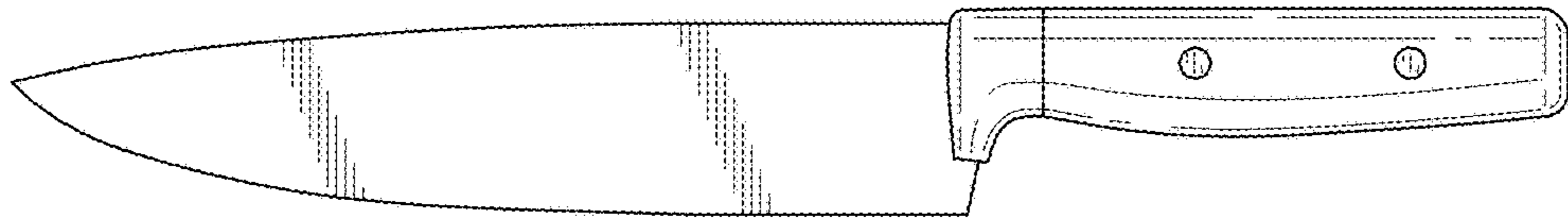


FIG. 1

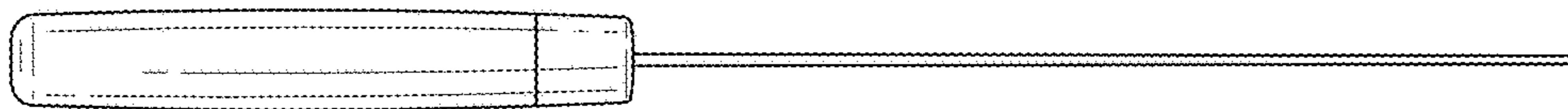


FIG. 2

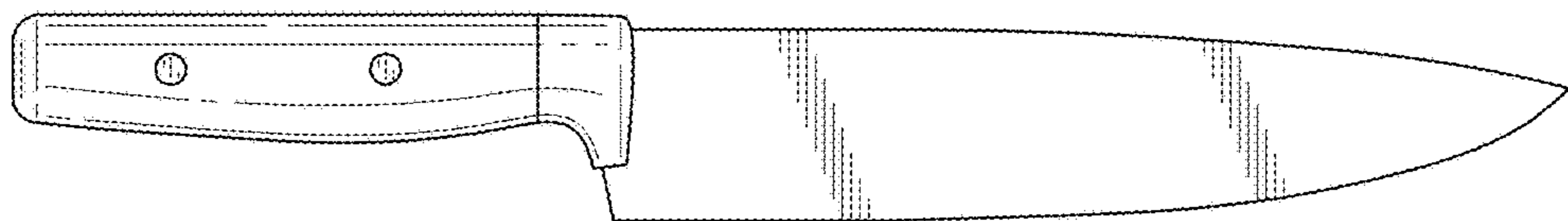


FIG. 3



FIG. 4

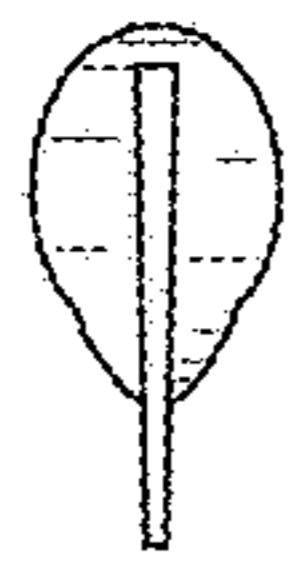


FIG. 5

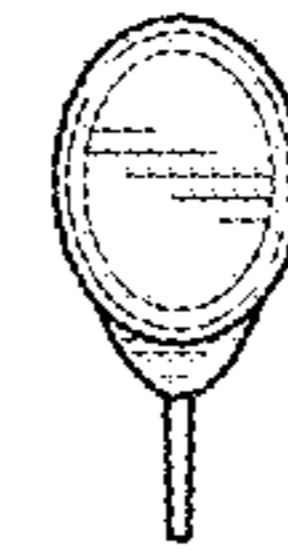


FIG. 6

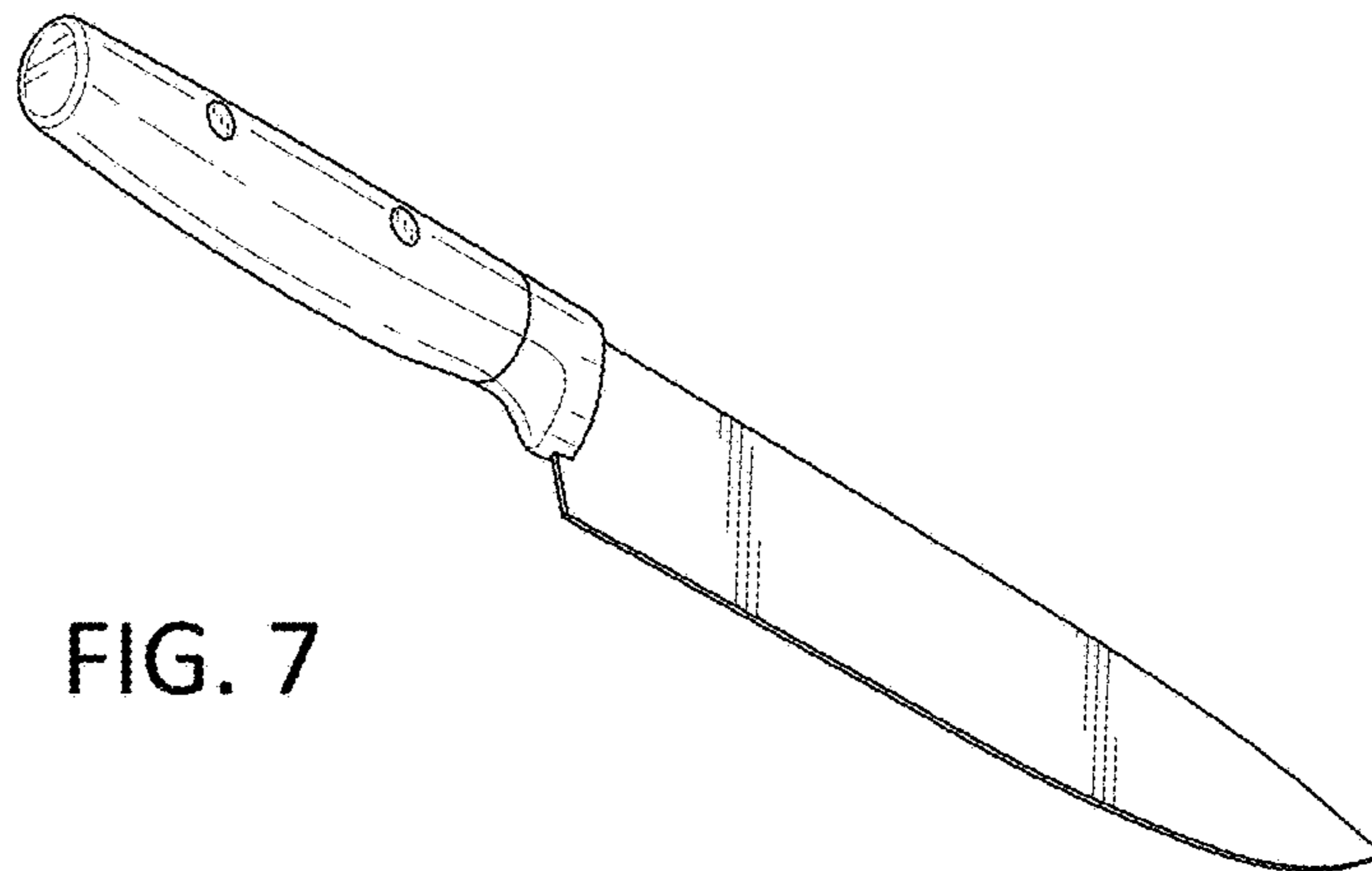


FIG. 7