



US00D849486S

(12) **United States Design Patent**  
**Munie et al.**

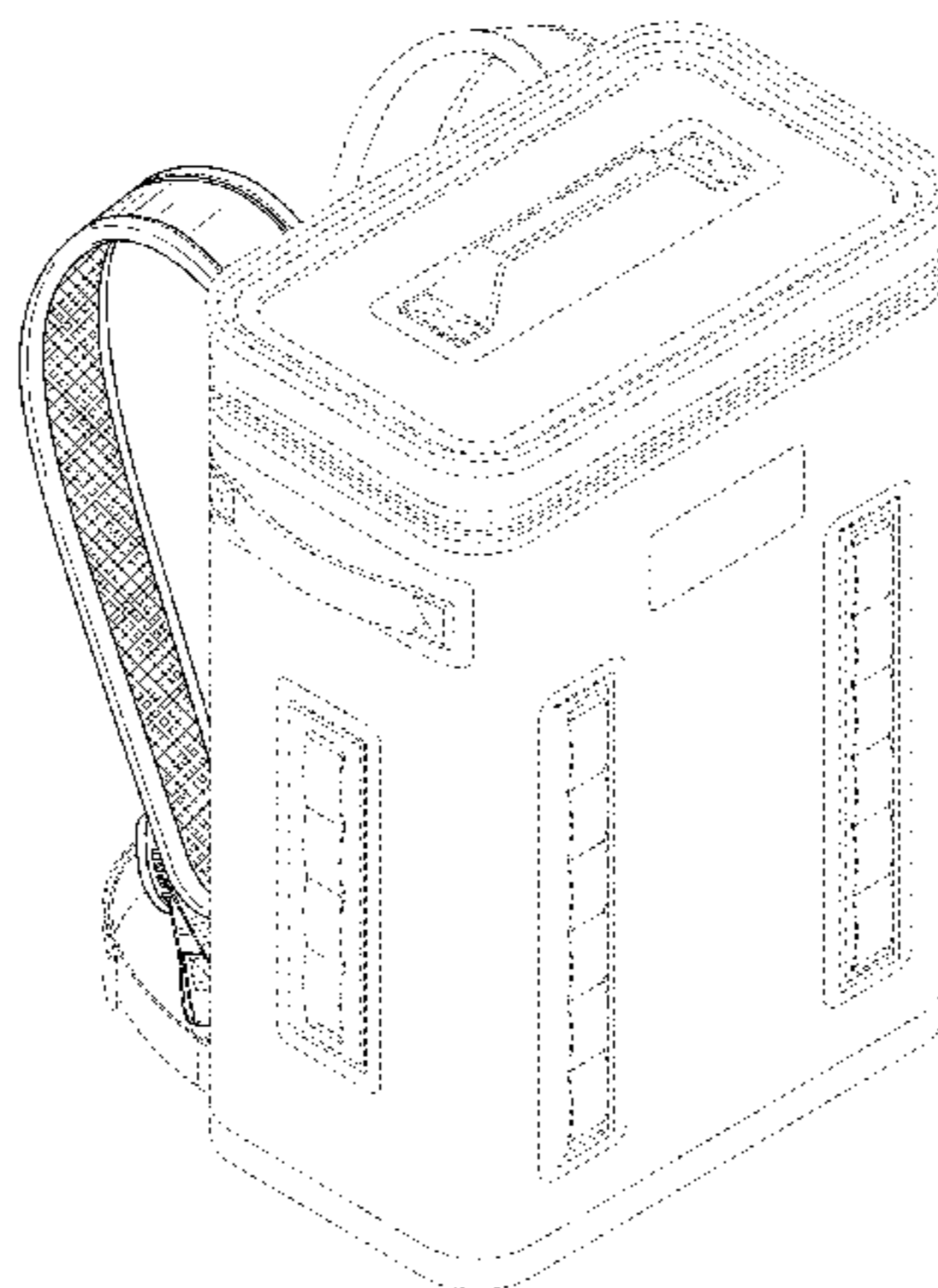
(10) **Patent No.:** **US D849,486 S**

(45) **Date of Patent:** **\*\* May 28, 2019**

- (54) **BACKPACK COOLER**
- (71) Applicant: **YETI Coolers, LLC**, Austin, TX (US)
- (72) Inventors: **Jeffrey Charles Munie**, Austin, TX (US); **Kyle Edward Rogers**, Austin, TX (US); **Donald Edward Desroches**, Austin, TX (US); **John Loudenslager**, Austin, TX (US); **Derek G. Sullivan**, Austin, TX (US); **Alex Baires**, Austin, TX (US)
- (73) Assignee: **YETI Coolers, LLC**, Austin, TX (US)
- (\*\*) Term: **15 Years**
- (21) Appl. No.: **29/624,156**
- (22) Filed: **Oct. 30, 2017**
- (51) **LOC (11) Cl.** ..... **07-01**
- (52) **U.S. Cl.**  
USPC ..... **D7/607; D3/216**
- (58) **Field of Classification Search**  
USPC ..... D7/605-607, 709, 710; D3/215-217, D3/315, 318, 276, 268, 273, 267, 233, D3/283, 289  
CPC ..... B65D 81/3858; B65D 81/3823; B65D 81/3888; B65D 81/3897; B65D 81/38; B65D 30/08; B65D 31/04; B65D 8/14; A45F 3/04; A45F 3/02; A45F 3/16; A45F 3/042; A45F 3/047; A45F 3/00; A45F 3/12; A45F 3/14; A45F 2003/045; A45F 2003/122; A45F 2003/142; A45F 2003/144; A45F 2003/146; A45F 2003/148; A45F 5/00; A45F 5/02; F25D 2331/801; F25D 2331/804  
See application file for complete search history.

2,119,621 A	6/1938	Ferrone
2,253,598 A	8/1941	Africa
2,289,254 A	7/1942	Eagles
2,522,381 A	9/1950	Kramer
2,575,191 A	11/1951	Seipp
2,575,893 A	11/1951	Seaman
2,633,223 A	3/1953	Zeamer
2,651,485 A	9/1953	Schutz
2,661,785 A	12/1953	Daust
2,685,385 A	8/1954	Kuss
2,808,093 A	10/1957	Gilman
2,954,891 A	10/1960	Imber
3,066,846 A	12/1962	Domigan
3,454,197 A	7/1969	Thompson
3,801,425 A	4/1974	Cook
3,814,288 A	6/1974	Westrich
3,905,511 A	9/1975	Groendal
4,125,212 A	11/1978	Courchesne
4,127,155 A	11/1978	Hydom
4,143,695 A	3/1979	Hoehn
4,194,627 A	3/1980	Christensen
4,196,817 A	4/1980	Moser
4,197,890 A	4/1980	Simko
4,210,186 A	7/1980	Belenson
4,211,091 A	7/1980	Campbell
4,211,267 A	7/1980	Skovgaard
4,248,366 A	2/1981	Christiansen
D265,948 S	8/1982	Stark
4,344,303 A	8/1982	Kelly, Jr.
4,372,453 A	2/1983	Branscum
4,375,828 A	3/1983	Biddison
D268,879 S	5/1983	Outcalt
4,399,668 A	8/1983	Williamson
4,468,933 A	9/1984	Christopher
4,513,895 A	4/1985	Leslie
4,521,910 A	6/1985	Keppel et al.
4,537,313 A	8/1985	Workman
4,541,540 A	9/1985	Gretz et al.
D281,122 S	10/1985	Bomes et al.
D281,546 S	12/1985	Bradshaw
D281,646 S	12/1985	Bomes et al.
D282,602 S	2/1986	Allen
4,571,338 A	2/1986	Okonogi et al.
4,595,101 A	6/1986	Rivera
4,596,370 A	6/1986	Adkins
4,598,746 A	7/1986	Rabinowitz
4,637,063 A	1/1987	Sullivan et al.
D289,128 S	4/1987	Bradshaw
4,673,117 A	6/1987	Calton
4,679,242 A	7/1987	Brockhaus
4,708,254 A	11/1987	Byrns
4,746,028 A	5/1988	Bagg
4,759,077 A	7/1988	Leslie

- (56) **References Cited**  
U.S. PATENT DOCUMENTS  
210,994 A 12/1878 Carnagy  
1,587,655 A 6/1926 Kidwell  
1,949,677 A 3/1934 Crawford



# US D849,486 S

4,765,476 A	8/1988	Lee	D424,417 S	5/2000	Axelsson	
4,796,937 A	1/1989	Andrea	6,059,140 A	5/2000	Hicks	
4,802,344 A	2/1989	Livingston et al.	6,065,873 A	5/2000	Fowler	
4,802,602 A	2/1989	Evans et al.	6,068,402 A *	5/2000	Freese .....	A45C 11/20
4,812,054 A	3/1989	Kirkendall				383/108
4,826,060 A	5/1989	Hollingsworth	6,073,796 A	6/2000	Mogil	
4,858,444 A	8/1989	Scott	6,082,589 A	7/2000	Ash et al.	
4,867,214 A	9/1989	Fuller	6,082,896 A	7/2000	Pulli	
4,871,069 A	10/1989	Guimont	6,089,038 A	7/2000	Tattam	
4,886,183 A	12/1989	Fleming	6,092,266 A	7/2000	Lee	
4,941,603 A	7/1990	Creamer et al.	6,092,661 A *	7/2000	Mogil .....	A63B 55/408
4,984,906 A	1/1991	Little				150/106
4,986,089 A	1/1991	Raab	6,116,045 A	9/2000	Hodosh et al.	
4,989,418 A	2/1991	Hewlett	6,128,915 A	10/2000	Wagner	
5,004,091 A	4/1991	Natho et al.	6,139,188 A	10/2000	Marzano	
5,005,679 A	4/1991	Hjelle	6,145,715 A	11/2000	Slonim	
5,042,664 A	8/1991	Shyr et al.	6,149,305 A	11/2000	Fier	
5,048,734 A	9/1991	Long	6,193,034 B1	2/2001	Fournier	
5,062,557 A	11/1991	Mahvi et al.	6,209,343 B1	4/2001	Owen	
5,190,376 A	3/1993	Book	6,220,473 B1	4/2001	Lehman et al.	
5,216,900 A	6/1993	Jones	6,234,677 B1	5/2001	Mogil	
5,221,016 A	6/1993	Karpal	6,237,776 B1	5/2001	Mogil	
5,237,838 A	8/1993	Merritt-Munson	6,247,328 B1	6/2001	Mogil	
5,244,136 A	9/1993	Collaso	6,253,570 B1	7/2001	Lustig	
D339,979 S	10/1993	Wehrley	6,276,579 B1	8/2001	DeLoach	
D340,387 S	10/1993	Melk	D447,667 S	9/2001	Schneider et al.	
D340,621 S	10/1993	Melk	6,286,709 B1	9/2001	Hudson	
D340,840 S	11/1993	Melk	6,296,134 B1	10/2001	Cardinale	
5,269,368 A	12/1993	Schneider et al.	6,296,165 B1 *	10/2001	Mears .....	A45C 3/00
D343,992 S	2/1994	Melk				150/107
5,297,870 A	3/1994	Weldon	6,298,993 B1	10/2001	Kalozdi	
5,313,807 A	5/1994	Owen	6,336,577 B1	1/2002	Harris et al.	
5,325,991 A	7/1994	Williams	6,353,215 B1	3/2002	Revels et al.	
5,354,131 A	10/1994	Mogil	D455,934 S	4/2002	Culp et al.	
5,355,684 A	10/1994	Guice	6,363,739 B1	4/2002	Hodosh et al.	
5,398,848 A	3/1995	Padamsee	6,409,066 B1	6/2002	Schneider et al.	
5,400,610 A	3/1995	Macedo	6,422,032 B1	7/2002	Greene	
5,403,095 A	4/1995	Melk	6,439,389 B1	8/2002	Mogil	
5,421,172 A	6/1995	Jones	D464,235 S	10/2002	Jeong	
5,447,764 A	9/1995	Langford	D465,134 S	11/2002	Joss	
5,472,279 A	12/1995	Lin	6,481,239 B2	11/2002	Hodosh et al.	
5,490,396 A	2/1996	Morris	D466,291 S	12/2002	Ng	
D370,599 S	6/1996	Christopher et al.	6,495,194 B2	12/2002	Sato et al.	
D371,052 S	6/1996	Melk	6,505,479 B2	1/2003	Defelice et al.	
5,529,217 A	6/1996	Siegel	6,511,695 B1	1/2003	Paquin et al.	
D373,515 S	9/1996	Melk	6,513,661 B1	2/2003	Mogil	
5,562,228 A	10/1996	Ericson	D472,431 S	4/2003	Spence, Jr.	
5,564,568 A	10/1996	Rankin, Sr.	6,554,155 B1	4/2003	Beggins	
5,569,401 A	10/1996	Gilliland et al.	D474,649 S	5/2003	Spence, Jr.	
5,595,320 A	1/1997	Aghassipour	6,582,124 B2	6/2003	Mogil	
D382,771 S	8/1997	Mogil	D476,481 S	7/2003	Gilbert	
D383,360 S	9/1997	Melk	6,595,687 B2	7/2003	Godshaw et al.	
5,680,944 A	10/1997	Rueter	D478,782 S	8/2003	Li	
5,680,958 A	10/1997	Mann et al.	6,604,649 B1	8/2003	Campi	
D386,310 S	11/1997	Smith	6,605,311 B2	8/2003	Villagran et al.	
5,687,874 A	11/1997	Omori et al.	6,619,447 B1	9/2003	Garcia, III et al.	
D387,249 S	12/1997	Mogil	6,629,430 B2	10/2003	Mills et al.	
5,706,969 A	1/1998	Yamada et al.	D482,241 S	11/2003	Tyler	
D394,553 S	5/1998	Lin	6,652,933 B2	11/2003	Hall	
D395,555 S	6/1998	Ursitti	6,655,543 B2	12/2003	Beuke	
5,758,513 A	6/1998	Smith	D485,131 S	1/2004	Lanman et al.	
5,779,089 A	7/1998	West	D485,732 S	1/2004	Lanman et al.	
D397,273 S	8/1998	Collie	D486,038 S	2/2004	Lanman et al.	
5,816,709 A	10/1998	Demus	6,688,470 B2	2/2004	Dege et al.	
D401,063 S	11/1998	Yamamoto et al.	6,729,758 B1	5/2004	Carter	
5,842,571 A	12/1998	Rausch	D492,160 S	6/2004	Lanman et al.	
5,845,514 A	12/1998	Clarke et al.	D497,518 S	10/2004	Bellofatto, Jr. et al.	
5,848,734 A	12/1998	Melk	6,799,693 B2	10/2004	Meza	
5,857,778 A	1/1999	Elis	D498,924 S	11/2004	Karl	
5,909,821 A	6/1999	Guridi	D501,600 S	2/2005	Guyon	
5,913,448 A	6/1999	Mann et al.	D502,599 S	3/2005	Cabana et al.	
5,915,580 A	6/1999	Melk	D503,279 S	3/2005	Smith	
5,931,583 A	8/1999	Collie	6,874,356 B2	4/2005	Komfeldt et al.	
D414,379 S	9/1999	Haberkom	D506,645 S	6/2005	Bellofatto, Jr. et al.	
5,988,468 A	11/1999	Murdoch et al.	D512,274 S	12/2005	Cabey	
5,988,879 A	11/1999	Bredderman et al.	D515,362 S	2/2006	Chan	
6,019,245 A	2/2000	Foster et al.	D516,099 S	2/2006	Maruyama	
6,027,249 A	2/2000	Bielinski	D517,801 S	3/2006	Woo	
6,029,847 A	2/2000	Mahoney, Jr. et al.	D520,306 S	5/2006	Peterson	



# US D849,486 S

D523,243 S	6/2006	Nashmy	D682,635 S	5/2013	Boroski
D527,226 S	8/2006	Maldonado	8,453,899 B1	6/2013	Calkin
D530,089 S	10/2006	Silverman	D686,412 S	7/2013	Guichot
7,153,025 B1	12/2006	Jackson et al.	8,474,640 B2	7/2013	Armstrong
D534,352 S	1/2007	Delafontaine	8,516,848 B2	8/2013	White et al.
D534,771 S	1/2007	Zorn	8,544,678 B1	10/2013	Hughes
D535,820 S	1/2007	Kamiya	8,573,002 B2	11/2013	Ledoux et al.
7,162,890 B2	1/2007	Mogil et al.	D695,568 S	12/2013	Hayes
D539,033 S	3/2007	Cassegrain	8,622,235 B2	1/2014	SucHECKI
7,201,285 B2	4/2007	Beggins	D699,940 S	2/2014	Robert
7,207,716 B2	4/2007	Buchanan et al.	D699,941 S	2/2014	Robert
7,219,814 B2	5/2007	Lown et al.	D703,946 S	5/2014	Tweedie
7,240,513 B1	7/2007	Conforti	8,720,739 B2	5/2014	Bollis
D548,459 S	8/2007	Harvey	8,777,045 B2	7/2014	Mitchell et al.
D550,448 S	9/2007	Boje et al.	D710,085 S	8/2014	Szewczyk
7,264,134 B2	9/2007	Tulp	D711,096 S	8/2014	Hanna
D557,667 S	12/2007	Kawamura et al.	D712,555 S	9/2014	Berg
7,302,810 B2	12/2007	McCrorry	8,827,109 B1	9/2014	Sheehan
D560,102 S	1/2008	Sumter	8,844,756 B2	9/2014	Beyburg
7,313,927 B2	1/2008	Barker	D715,544 S	10/2014	Levine
7,344,028 B2	3/2008	Hanson	8,857,654 B2	10/2014	Mogil et al.
7,353,952 B2	4/2008	Swartz et al.	D717,041 S	11/2014	Pulliam
D570,603 S	6/2008	Wu et al.	D718,931 S	12/2014	Brundl
D573,422 S	7/2008	Tagliati et al.	D719,303 S	12/2014	Anderson
D574,667 S	8/2008	Grabijas, III et al.	8,899,071 B2	12/2014	Mogil et al.
D578,401 S	10/2008	Perry et al.	D725,908 S	4/2015	Zwetzg
D582,151 S	12/2008	Gonzalez	D728,942 S	5/2015	Byham
7,481,065 B2	1/2009	Krieger	D732,348 S	6/2015	Seiders et al.
D598,194 S	8/2009	Turvey et al.	D732,349 S	6/2015	Seiders et al.
7,597,478 B2	10/2009	Pruchnicki et al.	D732,350 S	6/2015	Seiders et al.
D603,606 S	11/2009	Wang	D732,899 S	6/2015	Seiders et al.
7,634,919 B2	12/2009	Bernhard, Jr. et al.	D734,643 S	7/2015	Boroski
D607,697 S	1/2010	Whitlock et al.	D734,992 S	7/2015	Boroski
D608,096 S	1/2010	Noble	9,084,463 B2	7/2015	Merrill
D608,159 S	1/2010	Whitlock et al.	D738,108 S	9/2015	Adler et al.
D610,795 S	3/2010	Dejadon	D739,654 S	9/2015	Brouard
D611,706 S	3/2010	Angles et al.	9,139,352 B2	9/2015	Seiders et al.
7,669,436 B2	3/2010	Mogil et al.	9,146,051 B2	9/2015	Kamin et al.
7,682,080 B2	3/2010	Mogil	D747,104 S	1/2016	Ford
D617,560 S	6/2010	Wu	9,226,558 B2	1/2016	Armstrong
7,730,739 B2	6/2010	Fuchs	D749,653 S	2/2016	Carnes
D618,966 S	7/2010	Koehler et al.	D750,140 S	2/2016	Cross
D619,423 S	7/2010	Koehler et al.	9,254,022 B2	2/2016	Meldeau et al.
D619,854 S	7/2010	Koehler et al.	9,254,023 B2	2/2016	Su et al.
D619,855 S	7/2010	Koehler et al.	9,265,318 B1	2/2016	Williams et al.
7,757,878 B2	7/2010	Mogil et al.	D752,347 S	3/2016	Seiders et al.
D620,707 S	8/2010	Mogil	9,271,553 B2	3/2016	Ponx
D620,708 S	8/2010	Sanz	9,272,475 B2	3/2016	Ranade et al.
7,775,388 B2	8/2010	Murrer, III	9,290,313 B2	3/2016	De Lesseux et al.
7,784,759 B2	8/2010	Farrell	D752,860 S	4/2016	Barilaro et al.
7,791,003 B2	9/2010	Lockhart et al.	D756,109 S	5/2016	Hayashi
7,811,620 B2	10/2010	Merrill et al.	D756,638 S	5/2016	Frisoni
7,815,069 B1	10/2010	Bellofatto et al.	9,366,467 B2	6/2016	Kiedaisch et al.
D626,329 S	11/2010	Chapelier	D760,494 S	7/2016	Harvey-Pankey
D627,199 S	11/2010	Pruchnicki	D761,561 S	7/2016	Cheng
7,841,207 B2	11/2010	Mogil et al.	D763,570 S	8/2016	Potts
D629,612 S	12/2010	Weldon	D764,791 S	8/2016	Patel
7,874,177 B2	1/2011	Azamy	D764,873 S *	8/2016	Collie ..... D7/607
7,900,816 B2	3/2011	Kastanek et al.	D768,987 S	10/2016	Blumenfeld
D638,220 S	5/2011	Chu et al.	D770,761 S	11/2016	Deioma et al.
D642,870 S	8/2011	Whitlock et al.	D770,763 S	11/2016	Joo et al.
7,988,006 B2	8/2011	Mogil et al.	D771,372 S	11/2016	Kelly et al.
D645,662 S	9/2011	Perez	D772,562 S	11/2016	Petre
8,016,090 B2	9/2011	McCoy et al.	D778,045 S	2/2017	Ruddis
8,043,004 B2	10/2011	Mogil	D782,820 S	4/2017	Thompson
D648,532 S	11/2011	Sosnovsky	D784,010 S	4/2017	Dumas
8,061,159 B2	11/2011	Mogil et al.	D785,325 S	5/2017	Samrelius et al.
D650,169 S	12/2011	Klifa	D786,559 S	5/2017	Seiders et al.
8,096,442 B2	1/2012	Ramundi	D786,560 S	5/2017	Seiders et al.
8,191,747 B2	6/2012	Pruchnicki	D786,561 S	5/2017	Seiders et al.
D664,261 S	7/2012	Kravitz et al.	D786,562 S	5/2017	Seiders et al.
8,209,995 B2	7/2012	Kieling et al.	D787,187 S	5/2017	Seiders et al.
D666,896 S	9/2012	Pinholster, Jr. et al.	D789,080 S	6/2017	Caffagni
D667,043 S	9/2012	Couch, III	D792,167 S	7/2017	Bradley
8,281,950 B2	10/2012	Potts et al.	D792,486 S	7/2017	Li et al.
8,302,749 B2	11/2012	Melmon et al.	D796,185 S	9/2017	Masten
D673,363 S	1/2013	Crandall	D797,454 S	9/2017	Seiders et al.
D674,664 S *	1/2013	Collie ..... D7/607	D797,455 S	9/2017	Seiders et al.
8,424,713 B2	4/2013	Bolland	D798,670 S	10/2017	Seiders et al.







CN	302623771	11/2013
CN	302623775	11/2013
CN	302769710	3/2014
CN	302956550	10/2014
CN	303100086	2/2015
CN	303342902	8/2015
DE	3539626 A1	5/1987
DE	20002689 U1	8/2000
DE	202011050174 U1	7/2011
DE	202013101115 U1	3/2013
EP	0037545 A2	10/1981
EP	0082131 A2	6/1983
EP	85534 A1	8/1983
EP	0158634 A1	10/1985
EP	0174159 A2	3/1986
EP	0238932 A1	9/1987
FR	1269009 A	8/1961
FR	2440886 A1	6/1980
GB	1600133 A	10/1981
GB	2249717 A	5/1992
GB	2335972 A	10/1999
GB	3004135	9/2002
GB	3006367	10/2002
JP	11051532	2/1999
JP	3275477 B2	4/2002
JP	D1160335	12/2002
JP	2003026258 A	1/2003
JP	D1213384	8/2004
JP	D1242111	6/2005
JP	2010023926 A	2/2010
JP	D1445624	7/2012
KR	20020027739 A	4/2002
KR	20040092730 A	11/2004
KR	300778570.0000	1/2015
KR	300808669.0000	8/2015
KR	300835242.0000	1/2016
KR	300853718.0000	5/2016
WO	9524146 A2	9/1995
WO	9812954 A1	4/1998
WO	02058500 A1	8/2002
WO	2006007266 A2	1/2006
WO	2006058538 A1	6/2006
WO	2007016092 A2	2/2007
WO	2010106296 A2	9/2010
WO	2010120199 A1	10/2010
WO	2012003543 A1	1/2012
WO	2014033450 A1	3/2014
WO	2014066026 A1	5/2014
WO	2016066817 A1	5/2016

## OTHER PUBLICATIONS

Aug. 29, 2018 (WO)—International Search Report and Written Opinion—App. No. PCT/US18/36608.  
 Stopper Dry Bag, <http://www.seatosummit.com/products/display/181>, published date unknown, Sea To Summit, United States.  
 Icemule Classic Cooler—Large (20L), <http://www.icemulecooler.com/icemule-classic-cooler-large-20l/>, published date unknown, Icemule, United States.  
 Devonbuy.com: Thule Gauntlet 13" MacBook Pro Attaché. Published on Jul. 28, 2014. Retrieved from the internet at (<http://www.devonbuy.com/thule-gauntlet-13-macbook-pro-attache/>), Feb. 24, 2016. 9 pages.  
 United States District Court for the Western District of Texas, Austin Division, “Defendants’ Answer and Counterclaims o Yeti’s Complaint,” *Yeti Coolers, LLC*, vs. *RTIC Soft Sided Coolers, LLC, RTIC Coolers, LLC, RTIC Web Services, LLC, and Corporate Support and Fulfillment, LLC*, Case 1:16-cv-00909-RP, Document 11, Filed Aug. 18, 2016, 44 pages.  
 United States District Court Western District of Texas, Austin Division, “Complaint,” *YETI Coolers, LLC*, v. *RTIC Soft Side Coolers, RTIC Coolers, LLC, RTIC Web Services, LLC, and Corporate Support and Fulfillment, LLC*, Case 1:16-cv-00909, Document 1, Filed Jul. 27, 2016, 66 pages.  
 United States District Court Western District of Texas, Austin Division, “Complaint for Damages and Injunctive Relief,” *YETI*

*Coolers, LLC* v. *Jennifer Leverne Bootz Evans d/b/a Bling and Burlap Buy In’s and Blanks*, Case 1:15-cv-00995, Document 1, Filed Nov. 2, 2015, 128 pages.  
 United States District Court Western District of Texas, Austin Division, “Order,” *YETI Coolers, LLC* v. *Jennifer Leverne Bootz Evans d/b/a Bling and Burlap Buy In’s and Blanks*, Case 1:15-cv-00995-RP, Document 18, Filed Apr. 18, 2016, 1 page.  
 United States District Court Western District of Texas, Austin Division, “Defendant’s Reply in Support of Their Rule 12 (B)(6) Motion to Dismiss for Failure to State a Claim” *Yeti Coolers, LLC* v. *RTIC Soft Sided Coolers, LLC, RTIC coolers, LLC, RTIC Web Services, LLC, and Corporate Support and Fulfillment, LLC*, Case 1:16-cv-00909-RP, Document 15, Filed Sep. 8, 2016, 13 pages.  
 United States District Court Western District of Texas, Austin Division, “YETI’s Answer to RTIC’s Counterclaims,” *YETI coolers, LLC* v. *RTIC Soft Sided Coolers, LLC, RTIC Coolers, LLC, RTIC Web Services, LLC, and Corporate Support and Fulfillment, LLC*, Case 1:16-cv-00909-RP, Document 14, Filed Sep. 2, 2016, 16 pages.  
 United States District Court Western District of Texas, Austin Division, “Yeti’s Opposition to RTIC’s Motion to Dismiss,” *YETI Coolers, LLC* v. *RTIC Soft Sided Coolers, LLC, RTIC Coolers, LLC, RTIC Web Services, LLC, and Corporate Support and Fulfillment, LLC*, Case 1:16-cv-00909-RP, Document 13, Filed Sep. 1, 2016, 17 pages.  
 United States District Court for the Western District of Texas, Austin Division, “Defendants’ Rule 12(6)(6) Motion to Dismiss for Failure to State a Claim,” *YETI Coolers, LLC*, vs. *RTIC Soft Sided Coolers, LLC, RTIC Coolers, LLC, RTIC Web Services, LLC, and Corporate Support and Fulfillment, LLC*, Case 1:16-cv-00909-RP, Document 10, Filed Aug. 18, 2016, 12 pages.  
 United States District Court for the Western District of Texas, Austin Division, “Joint Rule 26(f) Report and Discovery Plan,” *Yeti Coolers, LLC*, vs. *RTIC Soft Sided Coolers, LLC, RTIC Coolers, LLC, RTIC Web Services, LLC, and Corporate Support and Fulfillment, LLC*, Case 1:16-cv-00909-RP, Document 19, Filed Oct. 11, 2016, 9 pages.  
 Petition for Inter Partes Review of U.S. Pat. No. 9,139,352, filed on Dec. 13, 2016, 1616 pages.  
 TheGadgeteer.com: Tom Bihn Camera I-O Bag Review. Published Jul. 9, 2012. Retrieved from the internet at <<http://the-gadgeteer.com/2012/07/09/tom-bihn-camera-i-o-bag-review/>>, Jan. 11, 2016. 7 pages.  
 YouTube-com: Patagonia Black Hole Duffel 60L. Published Aug. 26, 2013. Retrieved from the internet at <<https://www.youtube.com/watch?v=W-PWEmZmVv8>>, Dec. 19, 2016. 1 page.  
 Youtube, “Yeti Hopper Cooler At ICast 2014”, Uploaded by user TackleDirect on Jul. 17, 2014, Accessed Jan. 31, 2017. (<https://www.youtube.com/watch?v=A2rKRdyZcZ4>).  
 Ebags, Picnic Pack Picnic Pack Large Insulated Cooler Tote, First reviewed on Jul. 20, 2016. Accessed Feb. 7, 2017. (<http://www.ebags.com/product/picnic-pack/picnic-pack-large-insulated-cooler-tote/313704?productid=10428840>).  
 United States Patent and Trademark Office Before the Patent Trial and Appeal Board, Decisions Joint Motions to Terminate Inter Partes Review, Entered Mar. 22, 2017—(4 pgs).  
 Jan. 31, 2017—(WO) International Search Report and Written Opinion—App. PCT/US2016/060135.  
 Mar. 31, 2017—(WO) International Search Report and Written Opinion—App PCT/US2017/016552.  
 May 8, 2017—U.S. Non-Final Office Action—U.S. Appl. No. 15/154,626.  
 2015 May 22, 2015—U.S. Non-Final Office Action—U.S. Appl. No. 14/479,607.  
 United States District Court Western District of Texas Austin Division, “Complaint,” *Yeti Coolers, LLC* v. *Glacier coolers, LLC, and Tecomate Holdings, LLC*, Case 1:17-cv-00586, Document 1, filed Jun. 15, 2017, 161 pages.  
 May 30, 2017—(WO) ISR—App. No. PCT/US17/32351.  
 May 30, 2017—(WO) Written Opinion—App. No. PCT/US17/32351.

Vimeo, "Cleaning Your YETI Hopper uploaded by user YETI Coolers" on Nov. 4, 2014, Accessed Sep. 27, 2017. (<https://vimeo.com/110890075>).

Sep. 13, 2017—(U.S.) Final Office Action—U.S. Appl. No. 15/137,838.

Nov. 24, 2017—(U.S.) Final Office Action—U.S. Appl. No. 15/154,626.

Good Housekeeping, "Lands' End Zip Top Cooler Tote #433786", Reviewed on Apr. 2014, Accessed Nov. 18, 2017. (<http://www.goodhousekeeping.com/travel-products/food-cooler-reviews/a33270/lands-end-zip-top-cooler-tote-4337861>).

Home Shopping Network, "Built New York Large Welded Cooler Bag", Accessed Nov. 18, 2017. (<https://www.hsn.com/products/built-new-york-large-welded-cooler-bag/8561033>).

Feb. 9, 2018—(U.S.) Non-Final Office Action—U.S. Appl. No. 15/451,064.

\* cited by examiner

*Primary Examiner* — Terry A Wallace

(74) *Attorney, Agent, or Firm* — Banner & Witcoff, Ltd.

(57) **CLAIM**

The ornamental design for a backpack cooler, as shown and described.

**DESCRIPTION**

FIG. 1 is a top, front, right perspective view of a backpack cooler showing our new design;

FIG. 2 is a front view thereof;

FIG. 3 is a rear view thereof;

FIG. 4 is a left side view thereof;

FIG. 5 is a right side view thereof;

FIG. 6 is a top view thereof;

FIG. 7 is a bottom view thereof; and,

FIG. 8 is a top, back, left perspective view thereof.

The even-length broken lines within the shaded area represent unclaimed stitching. The uneven-length broken lines immediately adjacent to the shaded area define the bounds of the claimed design and form no part thereof. The even-length broken lines showing the remainder of the backpack cooler represent unclaimed subject matter and form no part of the claimed design.

**1 Claim, 8 Drawing Sheets**



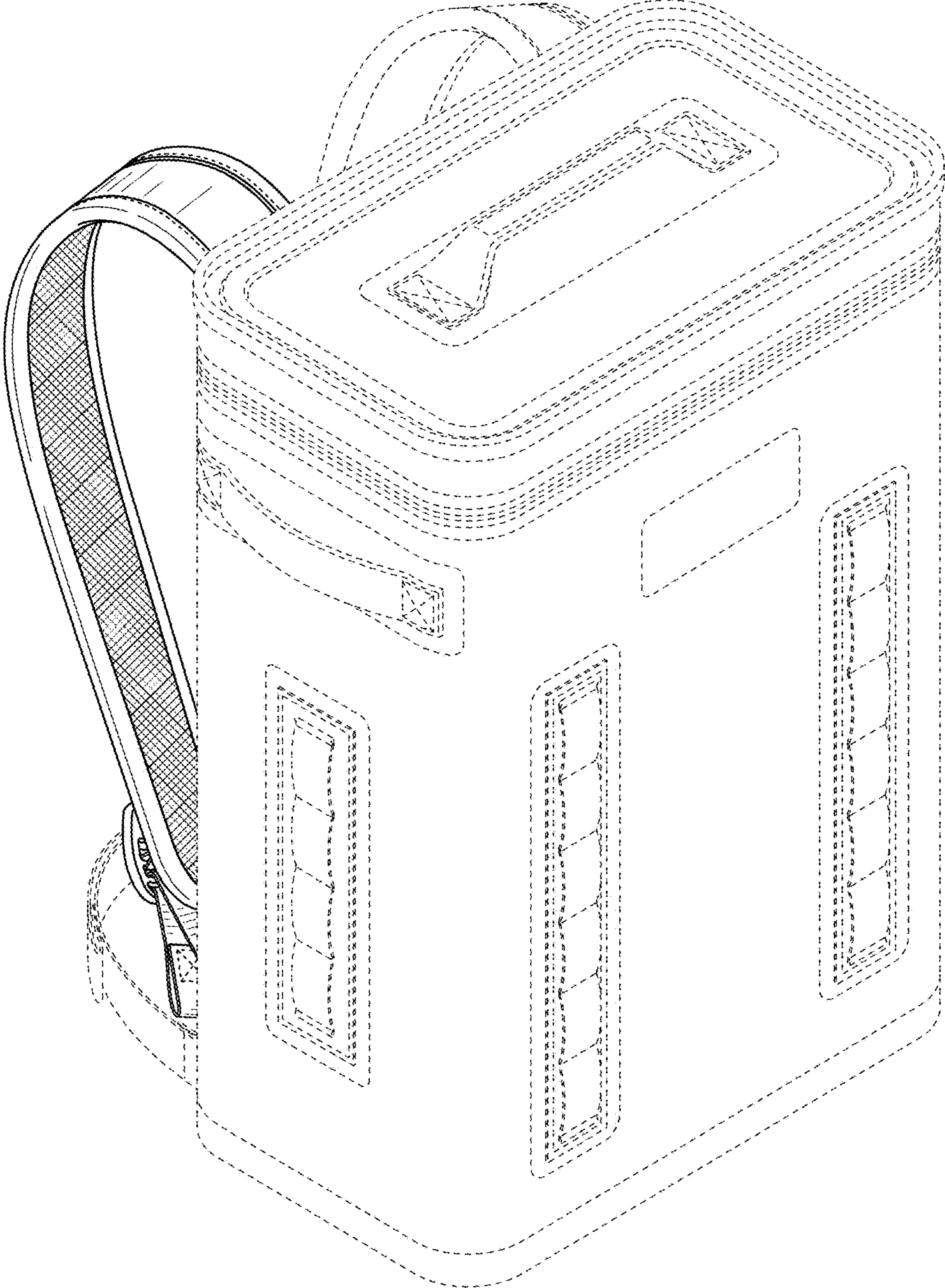


FIG. 1

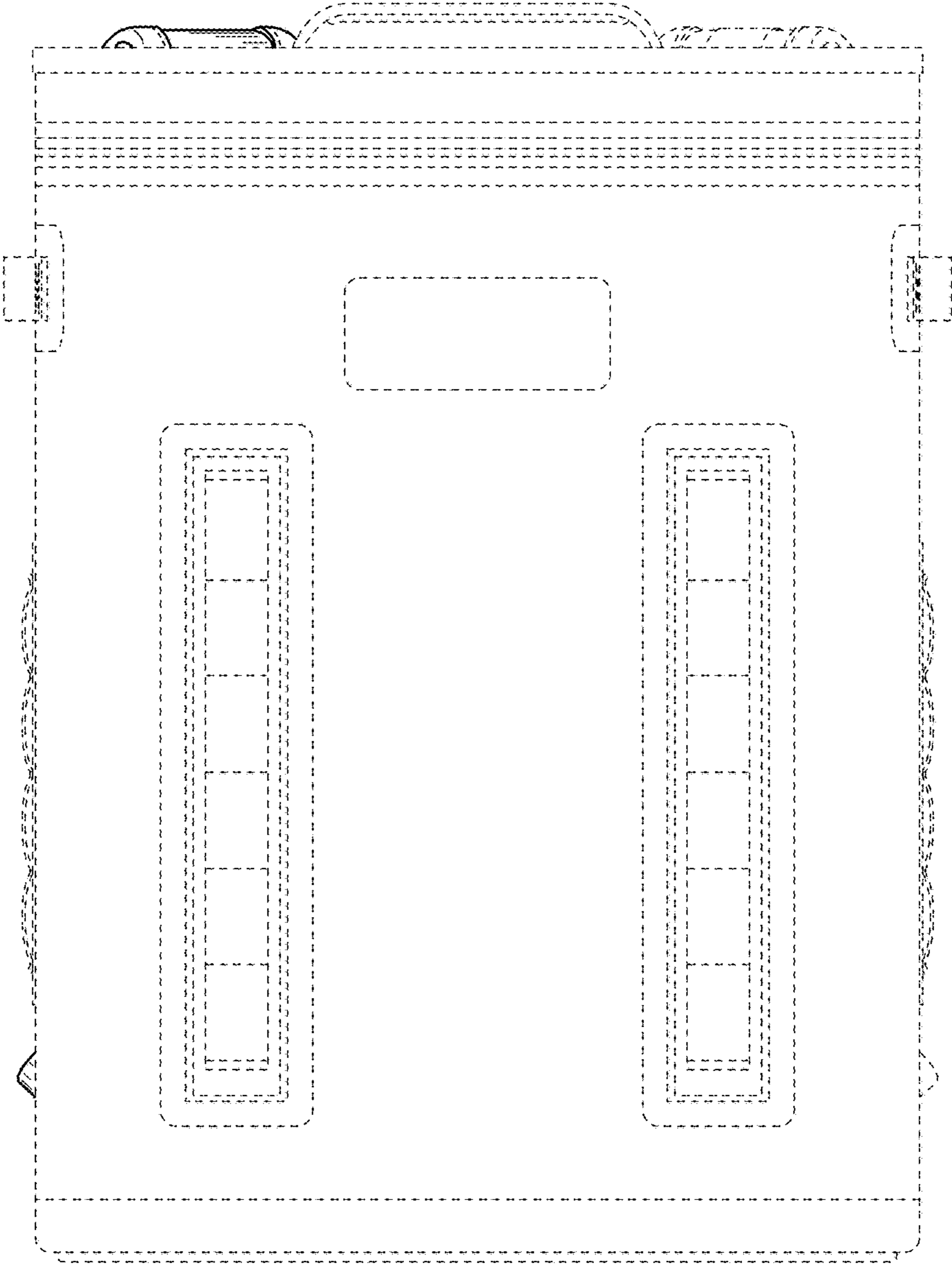


FIG. 2



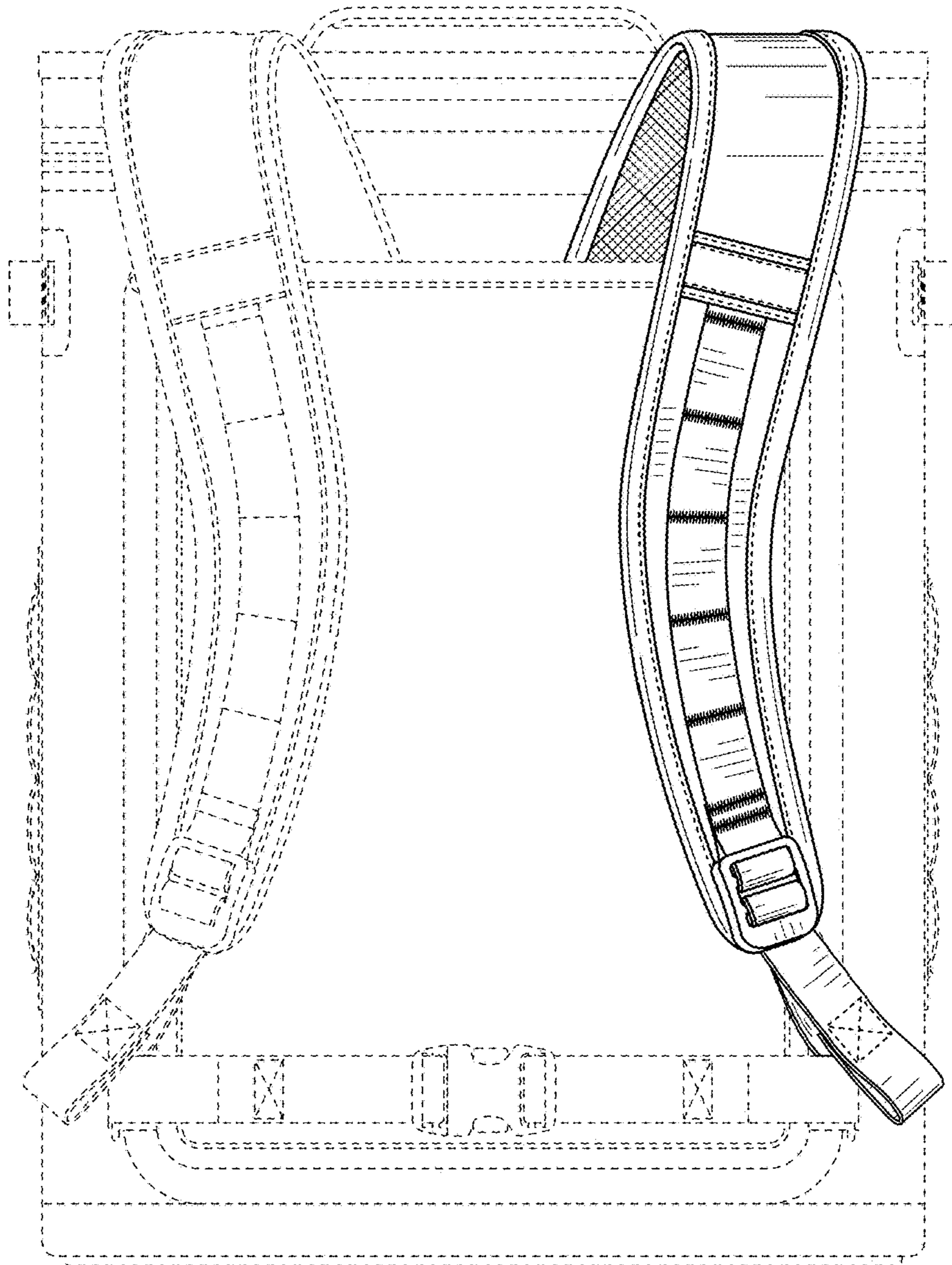


FIG. 3

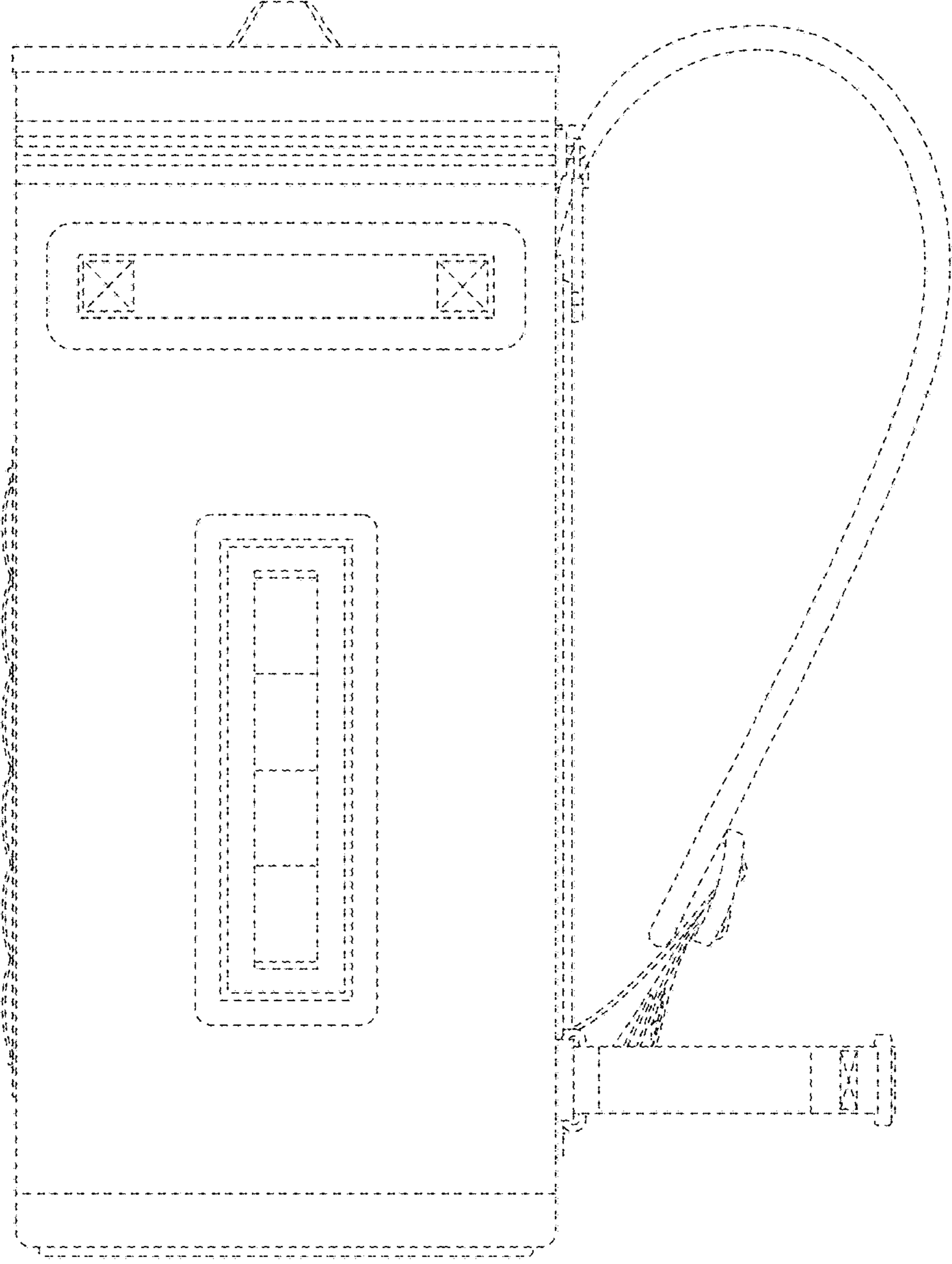


FIG. 4



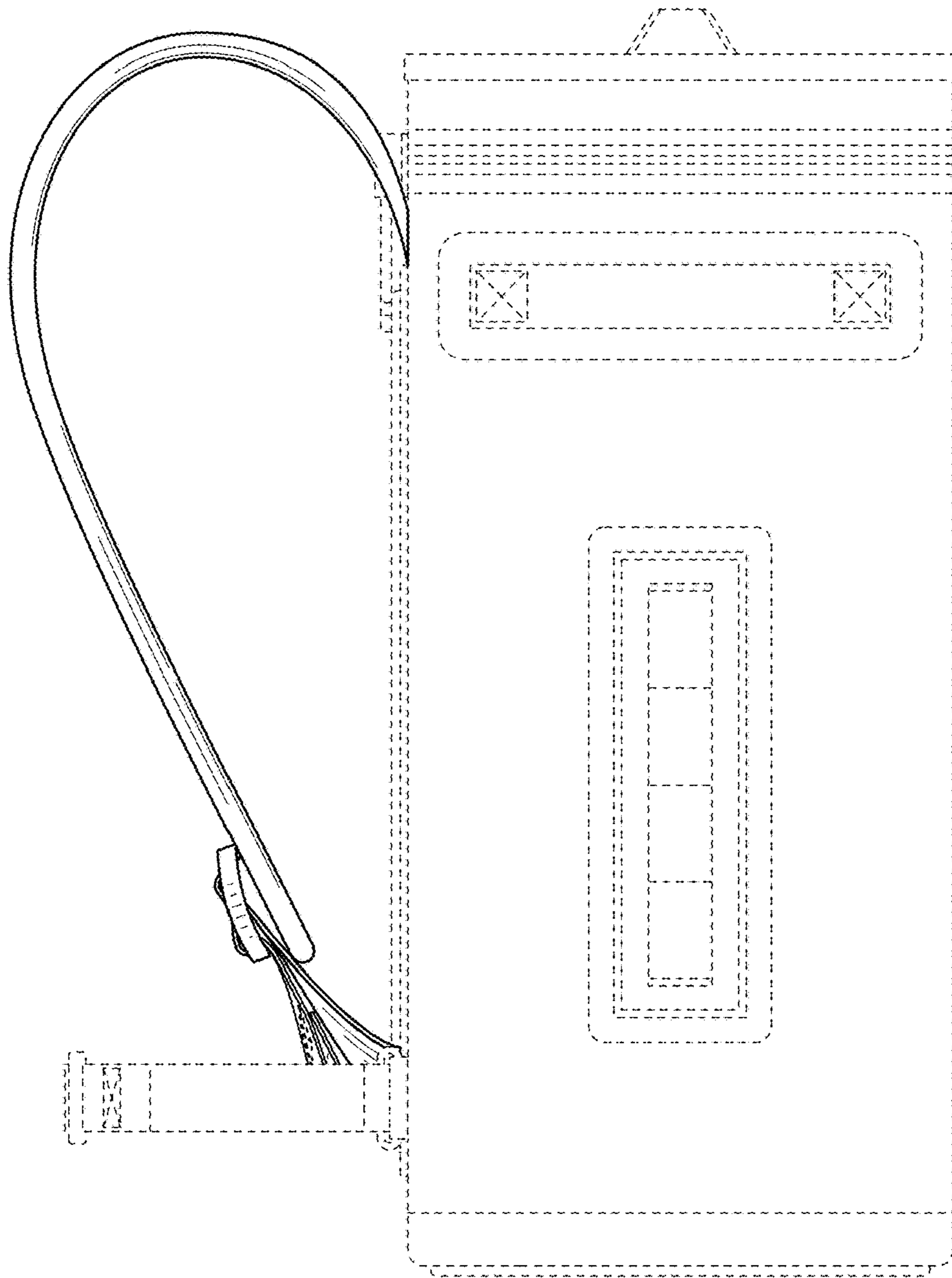


FIG. 5

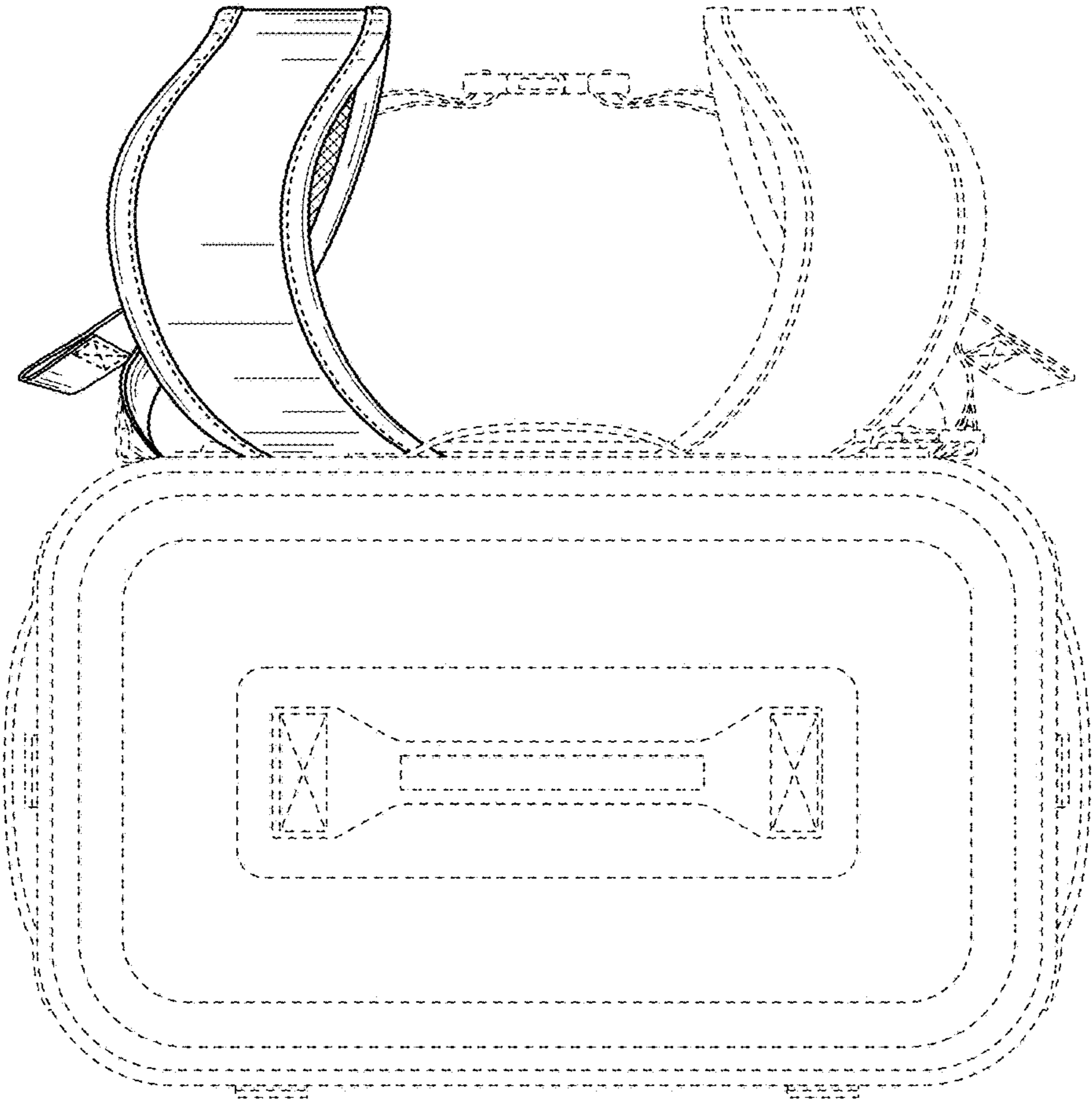


FIG. 6



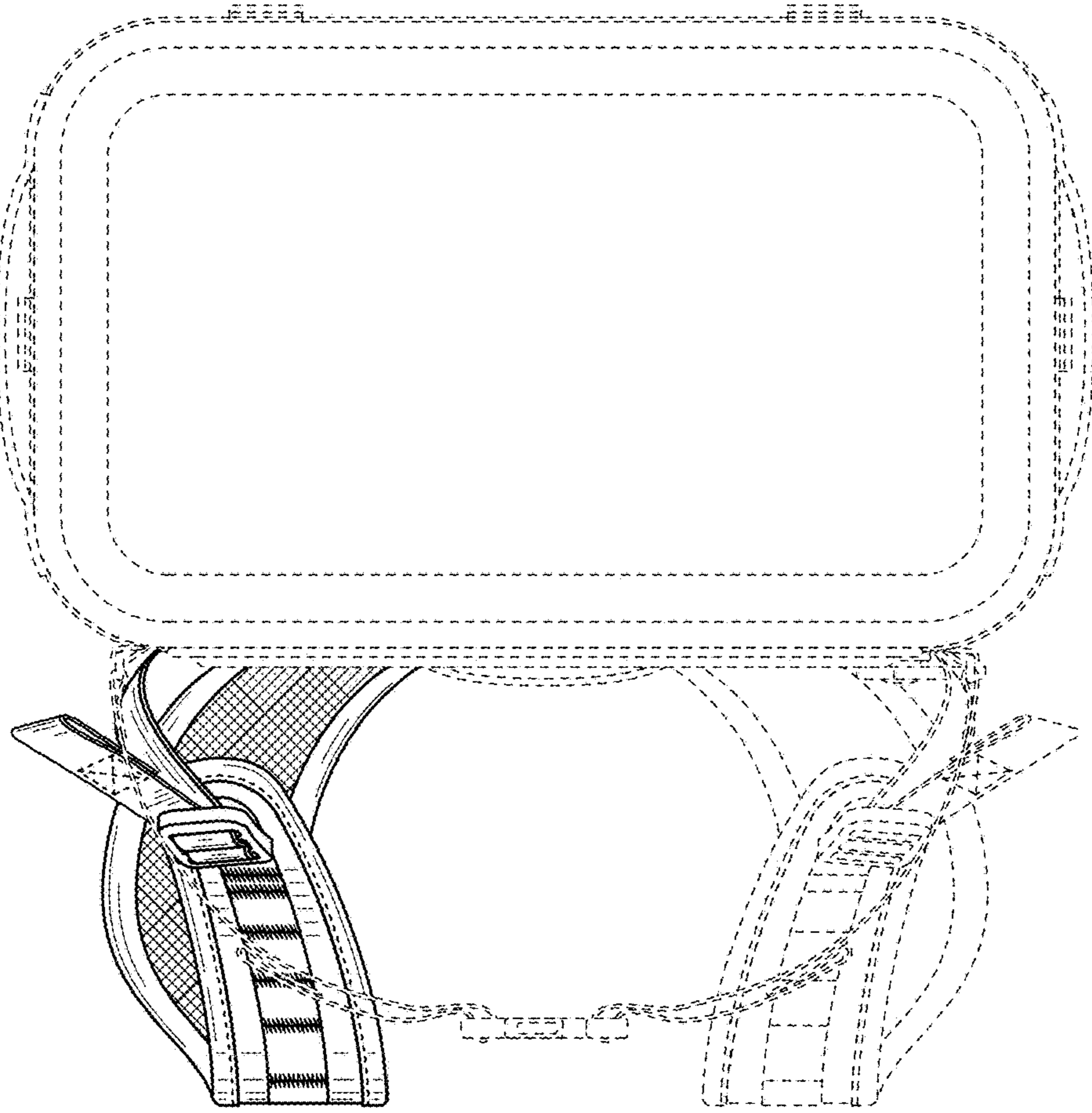


FIG. 7

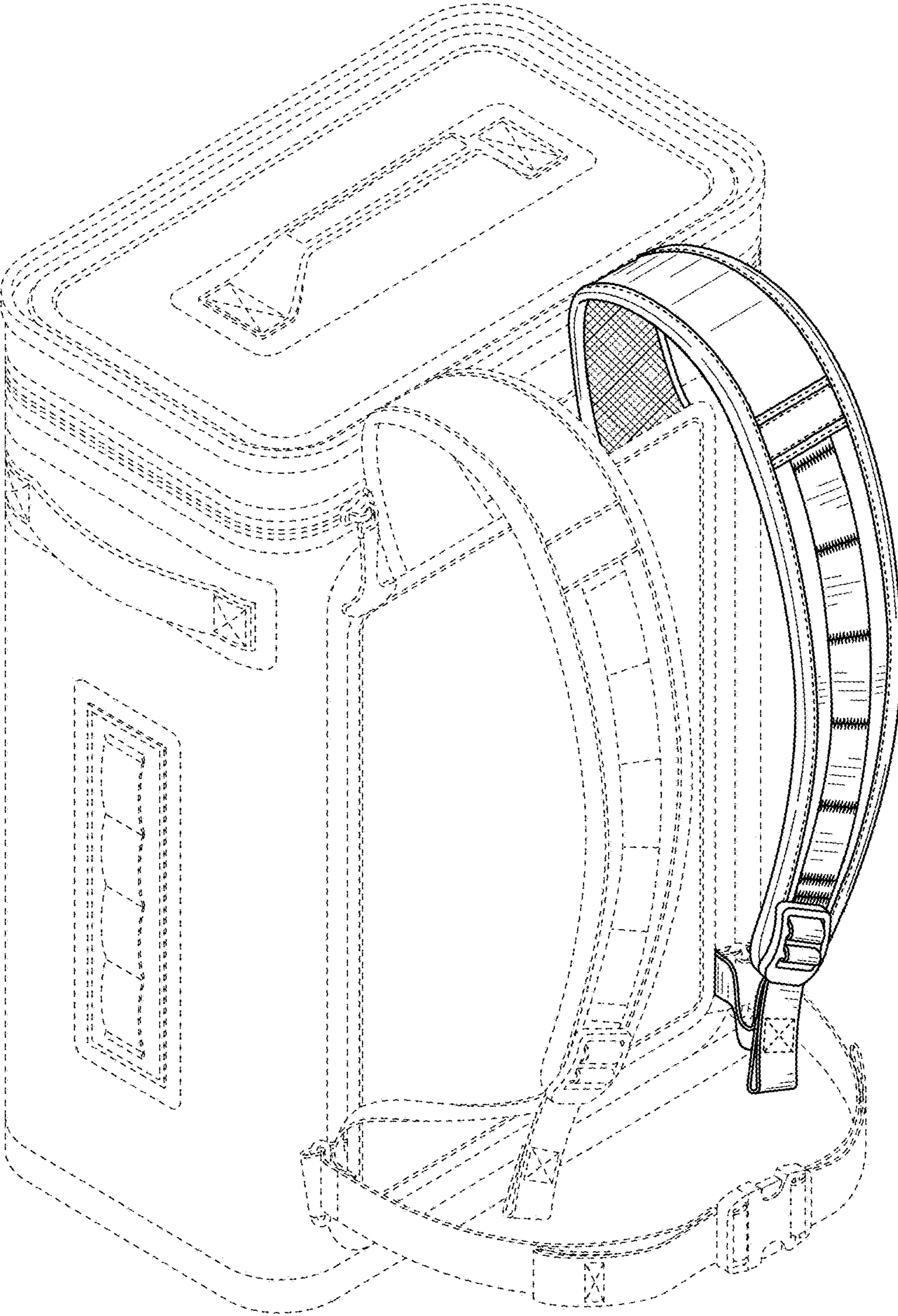


FIG. 8