



US00D849485S

(12) **United States Design Patent** (10) **Patent No.:** **US D849,485 S**
Allen et al. (45) **Date of Patent:** **** *May 28, 2019**

- (54) **INTEGRAL TRAY AND CUP**
- (71) Applicants: **Ralph Allen**, Grand Haven, MI (US);
Matt Hintz, Grand Haven, MI (US)
- (72) Inventors: **Ralph Allen**, Grand Haven, MI (US);
Matt Hintz, Grand Haven, MI (US)
- (73) Assignee: **Traycups, LLC**, Grand Haven, MI (US)
- (*) Notice: This patent is subject to a terminal disclaimer.
- (**) Term: **15 Years**
- (21) Appl. No.: **29/611,023**
- (22) Filed: **Jul. 18, 2017**
- (51) **LOC (11) Cl.** **07-01**
- (52) **U.S. Cl.**
USPC **D7/554.2**
- (58) **Field of Classification Search**
USPC D7/500, 505, 550.1, 553.1, 553.2, 553.6,
D7/554.2, 553.7-553.8
CPC A47G 19/02; A47G 23/06; A47G 23/0641;
A47J 43/00; A47J 47/14
See application file for complete search history.

- D326,588 S * 6/1992 Meisel D7/549
- D342,421 S * 12/1993 DuBow D7/708
- D359,885 S * 7/1995 Yanuzzi D7/549
- 5,711,595 A * 1/1998 Gerbe A47G 23/06
362/154
- 5,769,264 A * 6/1998 Lipkowitz A47G 23/0625
220/23.83
- 5,772,050 A * 6/1998 Shih B41K 1/58
211/163
- D410,820 S * 6/1999 Lofrano D7/507
- D415,930 S * 11/1999 Schmidt D7/553.1
- 6,021,914 A * 2/2000 Schmidt A47G 19/06
220/23.83
- D442,830 S * 5/2001 Raucci D7/553.5
- D453,891 S * 2/2002 Sussman D7/553.1
- D506,357 S * 6/2005 Price D7/553.6
- D508,373 S * 8/2005 Corrieri D7/553.6
- D509,104 S * 9/2005 Price D7/553.4
- 6,964,443 B1 * 11/2005 Newton A47G 23/0208
206/217
- D524,108 S * 7/2006 Price D7/553.4
- D560,973 S * 2/2008 Parlowski D7/553.8
- 7,334,908 B1 * 2/2008 Figueroa A47G 23/0208
362/101

(Continued)

Primary Examiner — Kelly A Donnelly
(74) *Attorney, Agent, or Firm* — Varnum, Riddering,
Schmidt & Howlett LLP

(57) **CLAIM**

We claim the ornamental design for the integral tray and cup, as shown and described.

DESCRIPTION

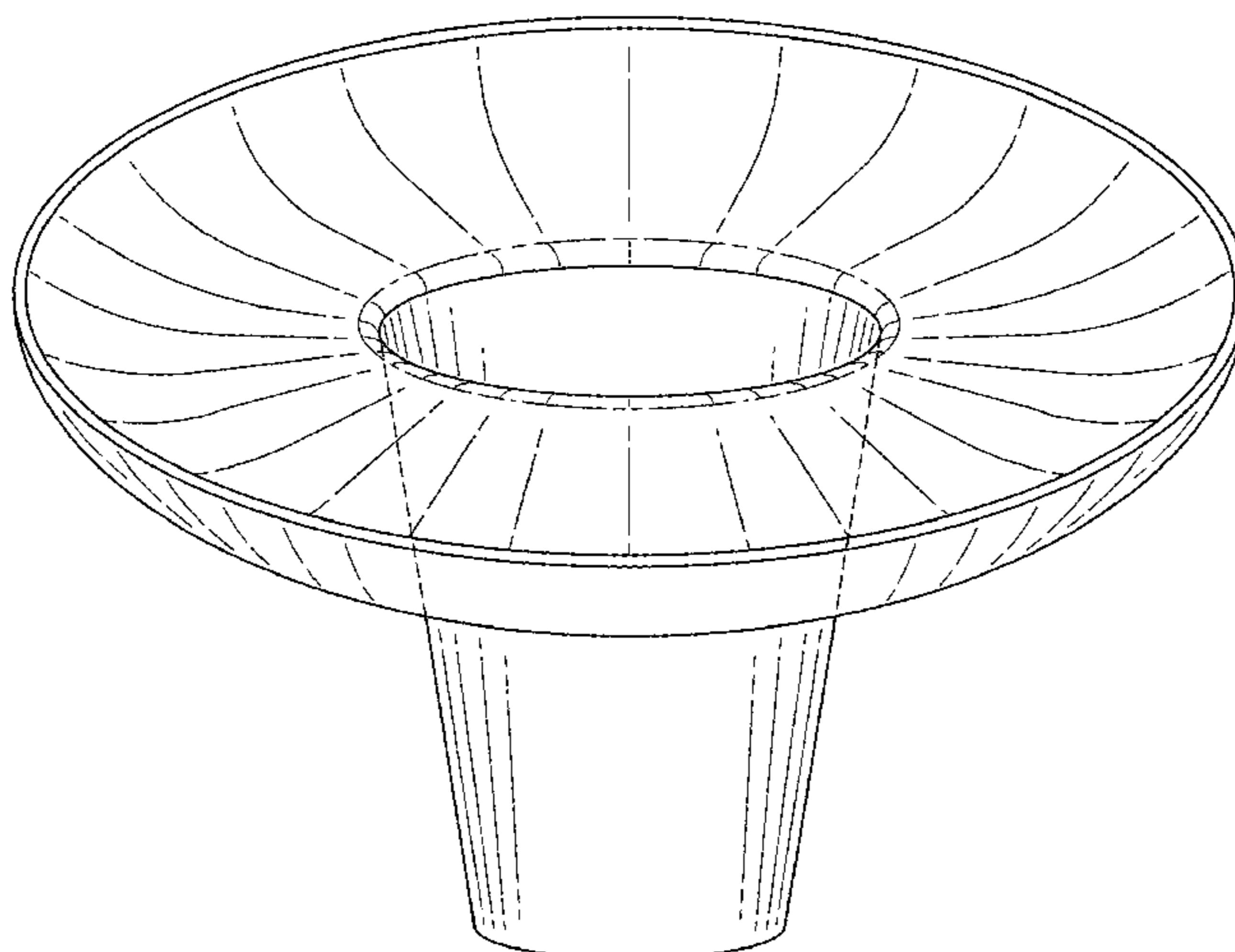
FIG. 1 is a top perspective view of an integral tray and cup; FIG. 2 is a bottom perspective view of an integral tray and cup; FIG. 3 is a side view of an integral tray and cup; FIG. 4 is a top view of an integral tray and cup; and, FIG. 5 is an bottom view of an integral tray and cup.

1 Claim, 5 Drawing Sheets

(56) **References Cited**

U.S. PATENT DOCUMENTS

- D87,682 S * 8/1932 Porter D7/543
- D105,687 S * 8/1937 Bode D7/702
- 3,491,893 A * 1/1970 Morris A47B 13/16
211/162
- 4,334,623 A * 6/1982 Geary A47G 23/0208
211/131.1
- D270,324 S * 8/1983 French D7/505
- 4,516,685 A * 5/1985 French A47G 19/06
206/563
- D298,296 S * 11/1988 Washburn D7/553.6



(56)

References Cited

U.S. PATENT DOCUMENTS

D563,726 S * 3/2008 Fraser D7/553.1
 D575,600 S * 8/2008 Mayer D7/553.1
 D576,455 S * 9/2008 Siddle D7/701
 D594,280 S * 6/2009 Wolhendler D7/549
 D594,281 S * 6/2009 Luft D7/549
 D594,705 S * 6/2009 McComas D7/546
 D595,093 S * 6/2009 McComas D7/546
 D595,094 S * 6/2009 Vernes D7/553.4
 7,562,785 B2 * 7/2009 Meissen B65D 11/1866
 220/4.28
 D604,993 S * 12/2009 Vernes D7/545
 D606,810 S * 12/2009 Clark D7/545
 D614,926 S * 5/2010 Cox D7/708
 D620,761 S * 8/2010 Boudreau D7/549
 D623,020 S * 9/2010 De Bretton Gordon D7/555
 D623,478 S * 9/2010 Hayashi D7/551.1
 D625,958 S * 10/2010 Deming D7/553.6
 D650,237 S * 12/2011 McComas D7/546
 D651,028 S * 12/2011 Grimaldi D6/707.2
 8,146,737 B2 * 4/2012 D'Agostino B65D 71/0007
 206/162

8,186,524 B2 * 5/2012 Siahpush A47F 5/02
 211/133.4
 8,272,512 B2 * 9/2012 Joseph A47G 23/0641
 206/563
 D686,459 S * 7/2013 Maggio D7/553.1
 D686,460 S * 7/2013 Maggio D7/553.1
 D704,512 S * 5/2014 Kellow, Jr. D7/553.8
 D708,062 S * 7/2014 Musi Navarro D7/702
 D712,204 S * 9/2014 Hatcher D7/553.5
 D730,124 S * 5/2015 Tollen D7/552.1
 D737,633 S * 9/2015 Breton D7/553.6
 D750,441 S * 3/2016 Hartmann D7/553.5
 D766,665 S * 9/2016 Shames D7/554.2
 D778,116 S * 2/2017 Cao D7/554.2
 D807,705 S * 1/2018 Laurain D7/555
 D808,222 S * 1/2018 Shames D7/554.2
 D819,408 S * 6/2018 Floco D7/553.6
 2005/0017134 A1 * 1/2005 Hooper A47G 23/0208
 248/103
 2008/0264822 A1 * 10/2008 Faiola A47G 19/06
 206/561
 2012/0031806 A1 * 2/2012 Riley A47G 23/0208
 206/563
 2012/0097574 A1 * 4/2012 Parsons A47G 19/065
 206/557

* cited by examiner

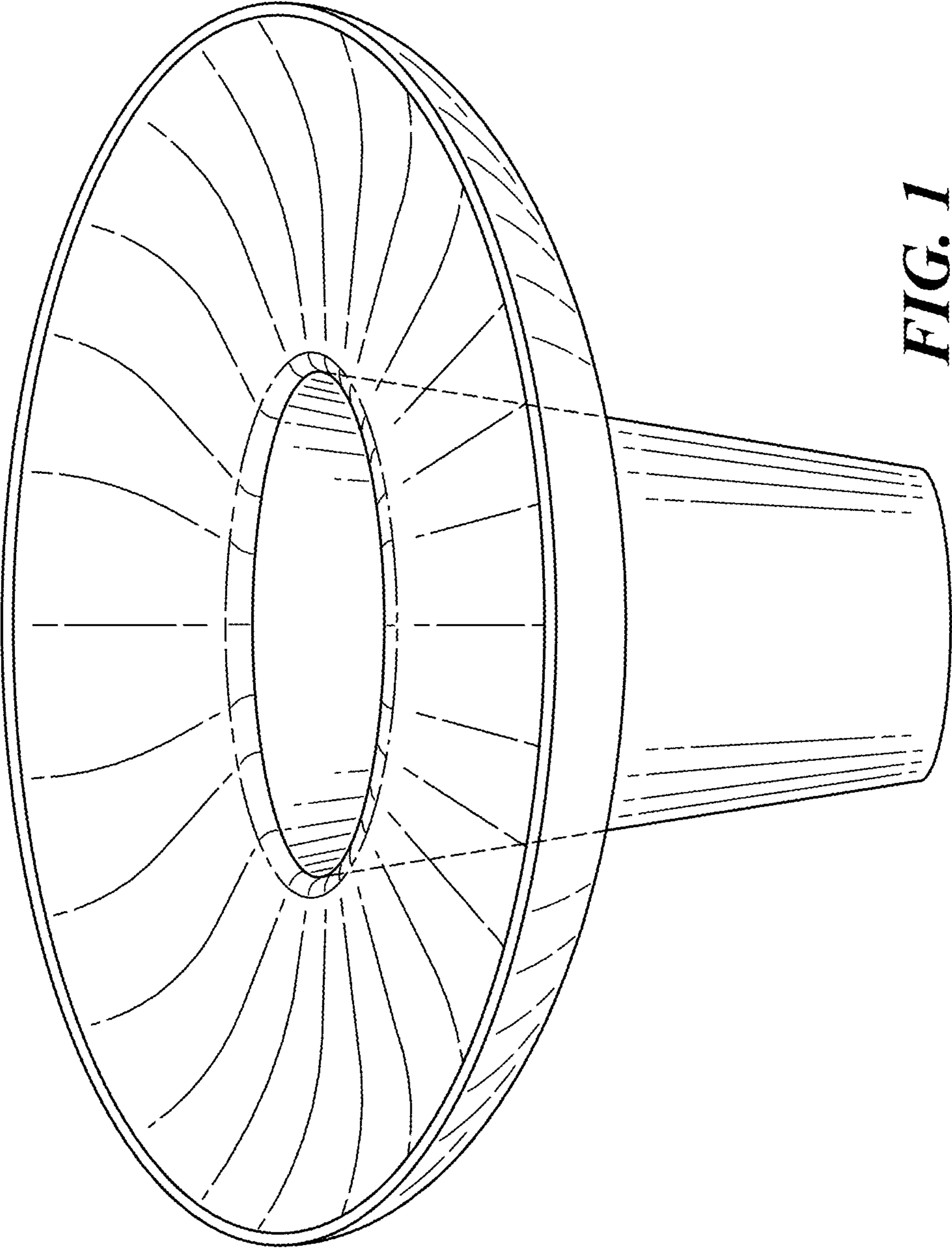


FIG. 1

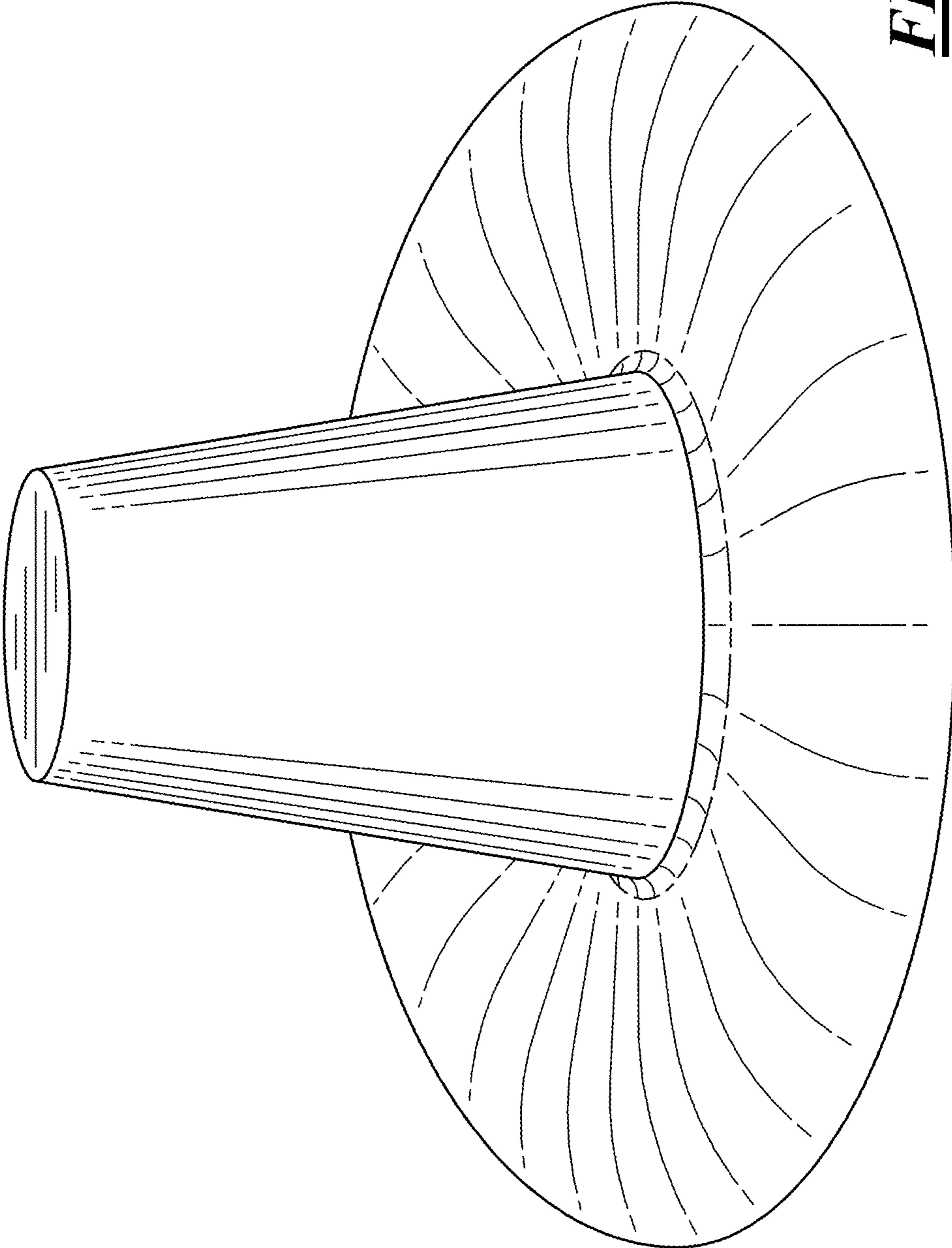


FIG. 2

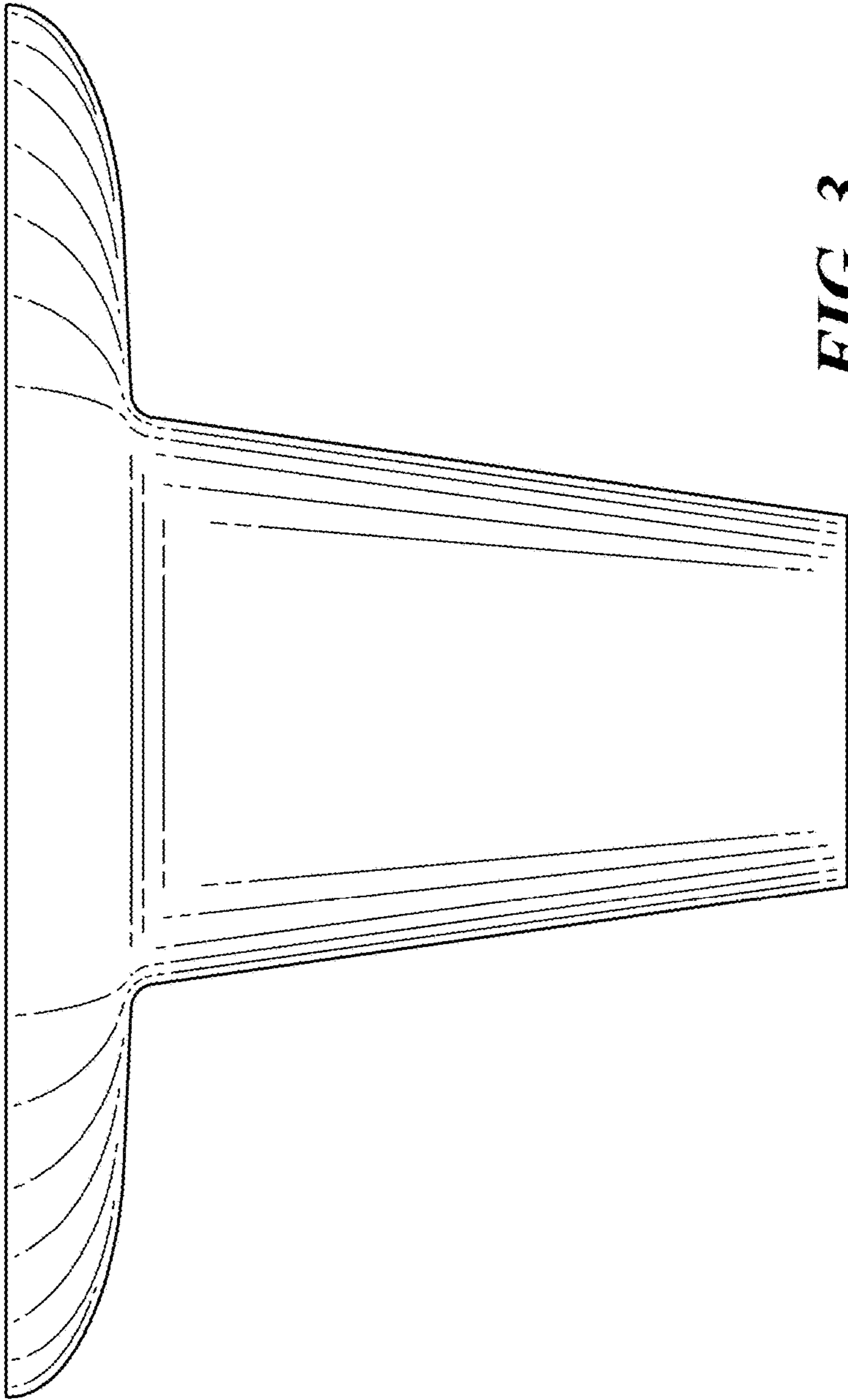


FIG. 3

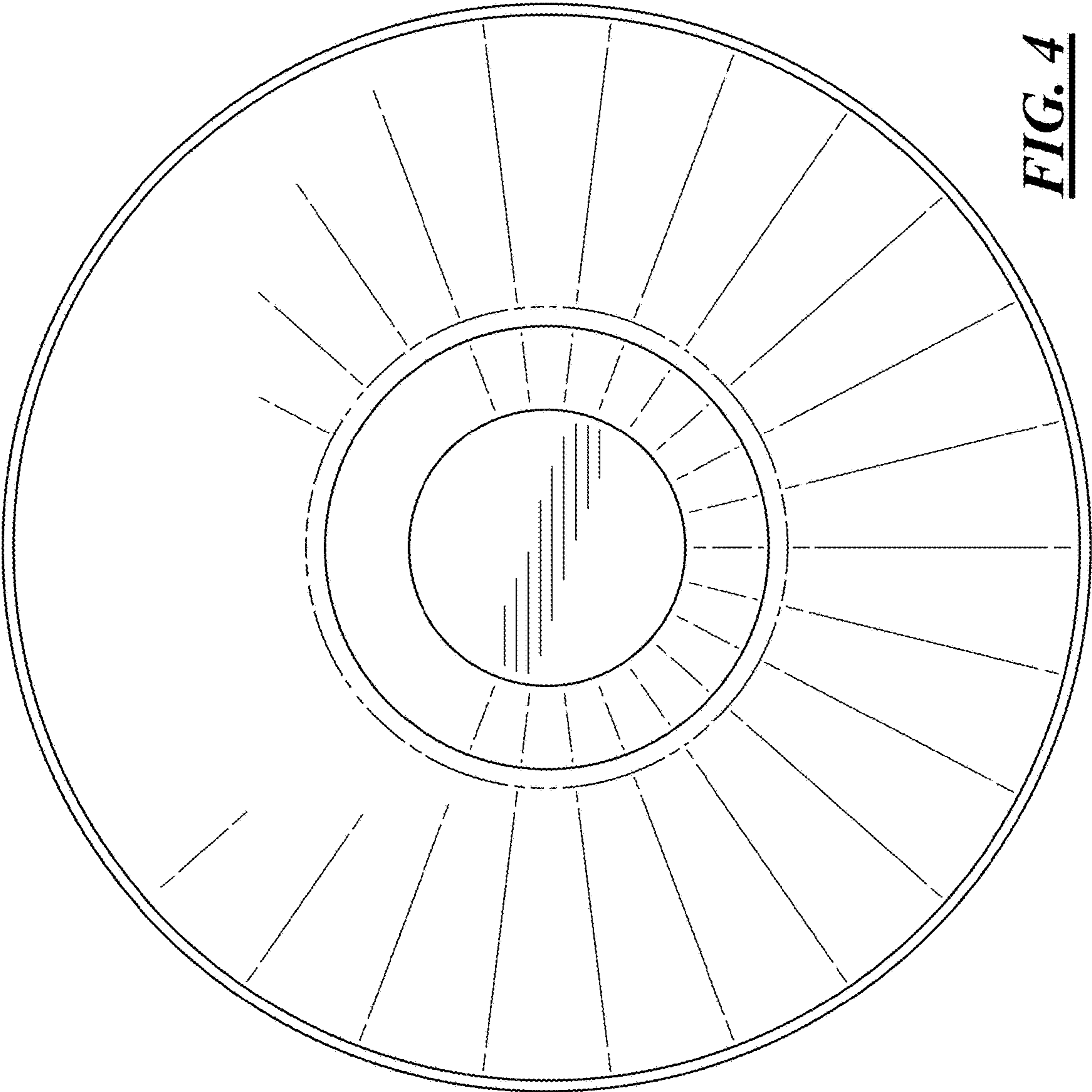


FIG. 4

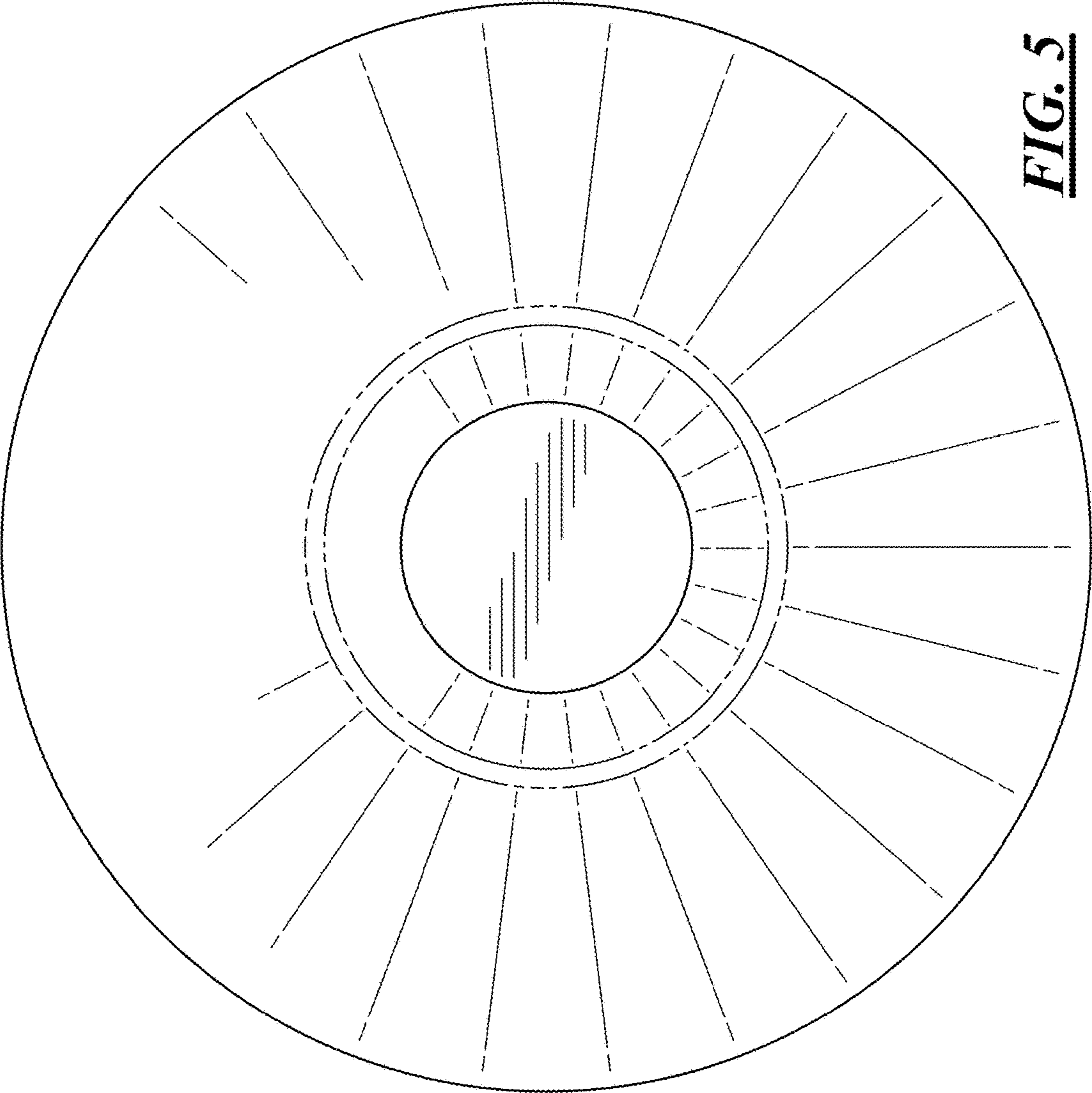


FIG. 5