



US00D849484S

(12) **United States Design Patent** (10) **Patent No.:** **US D849,484 S**
Kestenbaum et al. (45) **Date of Patent:** **** May 28, 2019**

- (54) **CONTAINER**
- (71) Applicant: **SharkNinja Operating LLC**, Newton, MA (US)
- (72) Inventors: **Daniel Kestenbaum**, Auburndale, MA (US); **Devin Coakley**, Brookline, MA (US)
- (73) Assignee: **SHARKNINJA OPERATING LLC**, Needham, MA (US)
- (**) Term: **15 Years**
- (21) Appl. No.: **29/601,792**
- (22) Filed: **Apr. 26, 2017**

Related U.S. Application Data

- (62) Division of application No. 29/532,028, filed on Jul. 1, 2015, now Pat. No. Des. 788,530.
- (51) **LOC (11) Cl.** **07-01**
- (52) **U.S. Cl.**
USPC **D7/532; D7/523**
- (58) **Field of Classification Search**
USPC D7/507, 509, 510, 511, 523, 529, 530, D7/531, 532, 533, 536, 300.1, 300.2; 220/592.16, 592.17, 495.03; D9/503, 504
CPC A47G 19/22; A47G 19/2205; A47G 19/02; A47G 19/00; A47J 43/27
See application file for complete search history.

(56) **References Cited**

U.S. PATENT DOCUMENTS

D88,252 S	11/1932	Nash	
D283,596 S	4/1986	Fortuna et al.	
D283,677 S	5/1986	Fortuna et al.	
D285,656 S	9/1986	Champion	
D289,484 S *	4/1987	Forquer	D7/532
D329,782 S	9/1992	Narsutis	
D381,869 S *	8/1997	Jeppesen	D7/523

D476,193 S *	6/2003	Janky	D7/510
D488,672 S	4/2004	Oas	
D505,592 S	5/2005	Liu	
D548,534 S	8/2007	Sullivan	
D570,158 S	6/2008	Massi et al.	
D573,404 S	7/2008	Wahl	
D581,739 S	12/2008	Bodum	
D590,662 S	4/2009	Cheng	
D614,448 S	4/2010	Cahen	

(Continued)

FOREIGN PATENT DOCUMENTS

JP	2007030984 A	2/2007
KR	300677647 S	2/2013

OTHER PUBLICATIONS

Notice of Allowance; Japanese Design Application No. 2016-000033; dated Jul. 14, 2017; 2 Pages.
(Continued)

Primary Examiner — Marianne N Pandozzi
Assistant Examiner — Jae Liang
(74) *Attorney, Agent, or Firm* — Cantor Colburn LLP

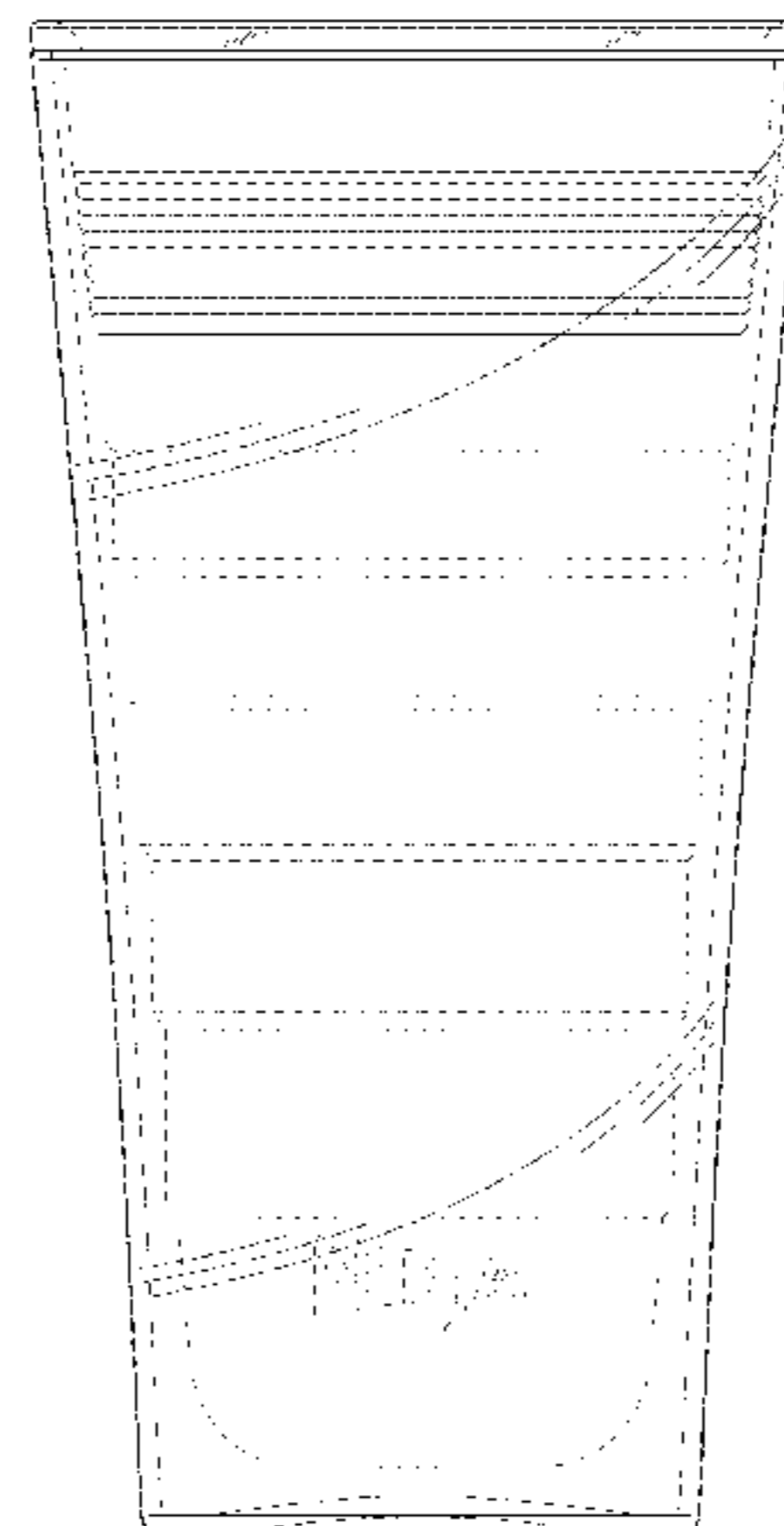
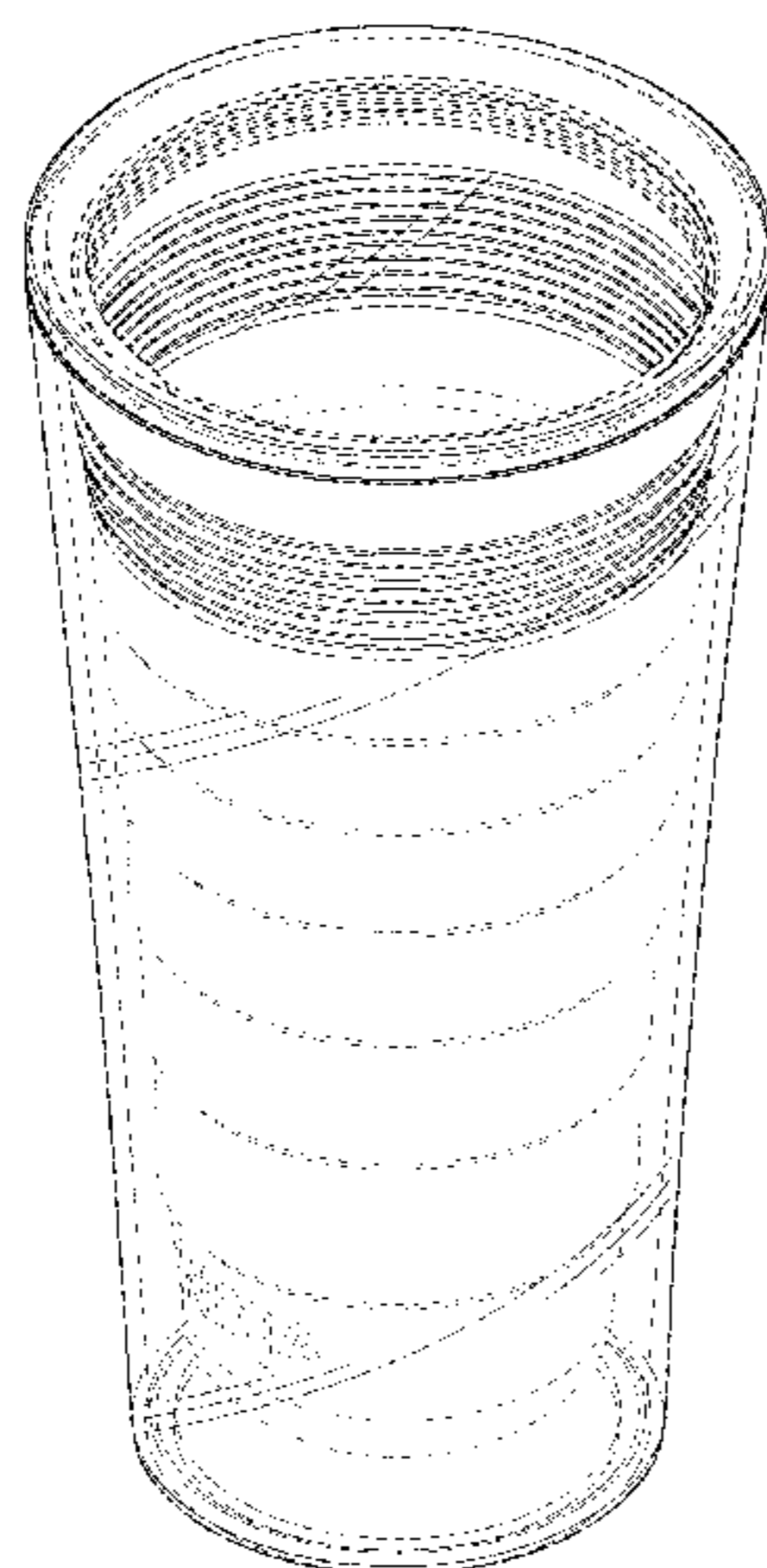
(57) **CLAIM**

The ornamental design for a container, as shown and described.

DESCRIPTION

FIG. 1 is a perspective view of a container showing our new design;
FIG. 2 is a front elevational view thereof;
FIG. 3 is a rear elevational view thereof;
FIG. 4 is a left side elevational view thereof;
FIG. 5 is a right side elevational view thereof;
FIG. 6 is a bottom plan view thereof; and,
FIG. 7 is a top plan view thereof.
The broken lines in the drawings depict portions of the container that form no part of the claimed design.

1 Claim, 7 Drawing Sheets



(56)

References Cited

U.S. PATENT DOCUMENTS

D622,547 S * 8/2010 Carreno D7/510
 D631,294 S 1/2011 Ross
 D664,001 S 7/2012 Liu
 D669,310 S * 10/2012 Barreto D7/510
 D674,663 S 1/2013 Cahen
 D688,521 S * 8/2013 Lees D7/510
 D688,523 S 8/2013 Lees
 D698,200 S 1/2014 Lauwagie
 D698,496 S 1/2014 Smith
 D701,425 S * 3/2014 Pearson D7/510
 D713,685 S 9/2014 Eyal
 D732,895 S * 6/2015 McClellan D7/529
 D736,034 S 8/2015 Spivey et al.
 D740,073 S * 10/2015 Zorovich D7/507
 D742,173 S * 11/2015 Perman D7/507
 D742,177 S * 11/2015 Morris, II D7/523
 D744,286 S 12/2015 Morris, II et al.
 D751,345 S * 3/2016 Lane D7/510
 D751,863 S 3/2016 Eyal
 D755,013 S * 5/2016 Khubani D7/507
 D760,544 S * 7/2016 Anzalone D21/322
 D773,895 S * 12/2016 Dai D7/507
 D773,896 S * 12/2016 Dai D7/507
 D778,112 S * 2/2017 Szymanski D7/510
 D779,884 S * 2/2017 Karussi D7/523
 D781,103 S * 3/2017 Karussi D7/507
 D784,079 S * 4/2017 Szymanski D7/507
 D784,080 S * 4/2017 Szymanski D7/507
 D784,081 S * 4/2017 Szymanski D7/507
 D784,082 S * 4/2017 Yao D7/507

D788,530 S * 6/2017 Kestenbaum D7/509
 D789,743 S * 6/2017 Washburn D7/507
 D790,278 S * 6/2017 Szymanski D7/510
 D796,905 S * 9/2017 Kestenbaum D7/510
 2003/0076671 A1 4/2003 Diak/Ghanem
 2013/0119065 A1* 5/2013 Buck A47G 19/2205
 220/523
 2015/0344178 A1* 12/2015 Szymanski A47G 19/065
 206/514

OTHER PUBLICATIONS

Notice of Allowance; Japanese Design Application No. 2016-000034; dated Jul. 14, 2017; 2 Pages.
 amazon.com, Inc.; “Reusable Double Wall Insulated Acrylic Tumbler Cups with Straw and Lid, 2 Set Package (24 Oz, Candy Cane Straws)”; JPO Publicly Known Design No. HJ26058795; JPO Collection Date: Jul. 14, 2017; URL Accessed: https://www.amazon.com/Reusable-Insulated-Acrylic-Tumbler-Package/dp/B00PUI2EJM/ref=zg_bsnr_13217501_; 6 Pages.
 Global Sources; Gifts & Premiums; “Emblem & Label Pins”; No. 7, vol. 5; Published: Aug. 2011; 2 Pages; JPO Publicly Known Design No. H623004175.
 Japanese Design Patent No. D1511085 (S); Publication Date: Nov. 10, 2014; Machine Translation; 8 Pages.
 Notice of References; Japanese Design Application No. 2016-000033; dated Jul. 14, 2017; 4 Pages.
 Notice of References; Japanese Design Application No. 2016-000034; dated Jul. 14, 2017; 4 Pages.

* cited by examiner

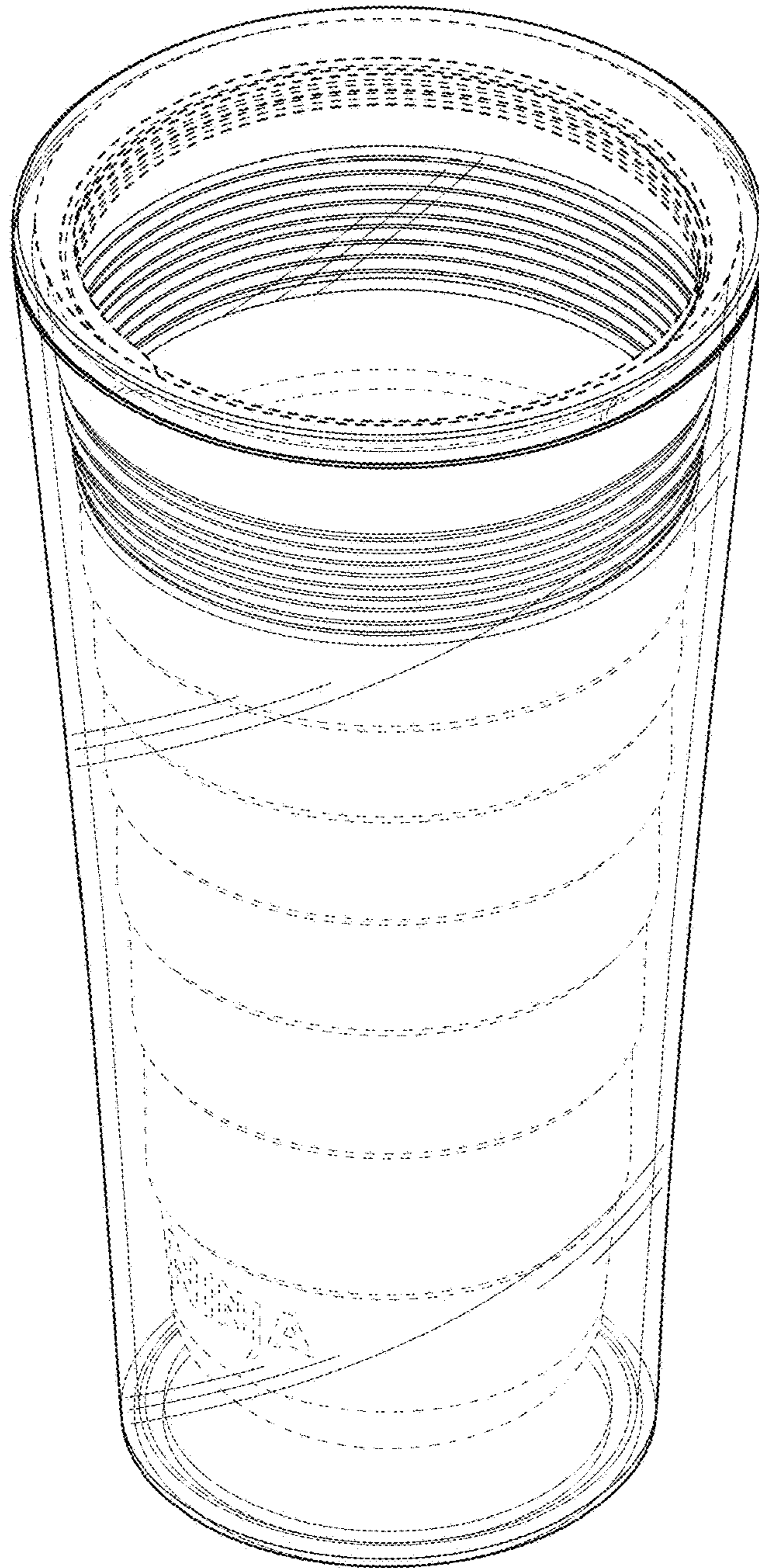


FIG. 1

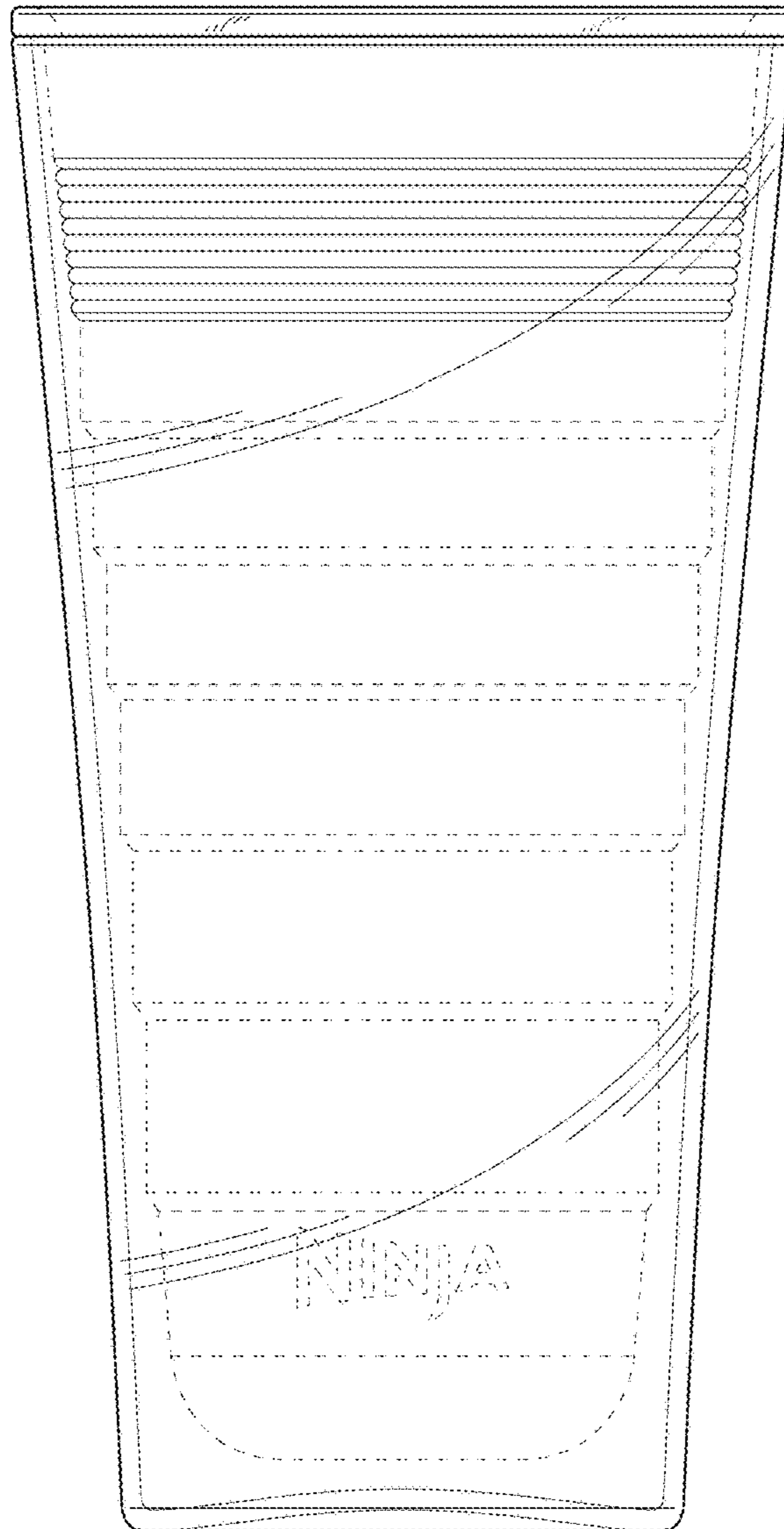


FIG. 2

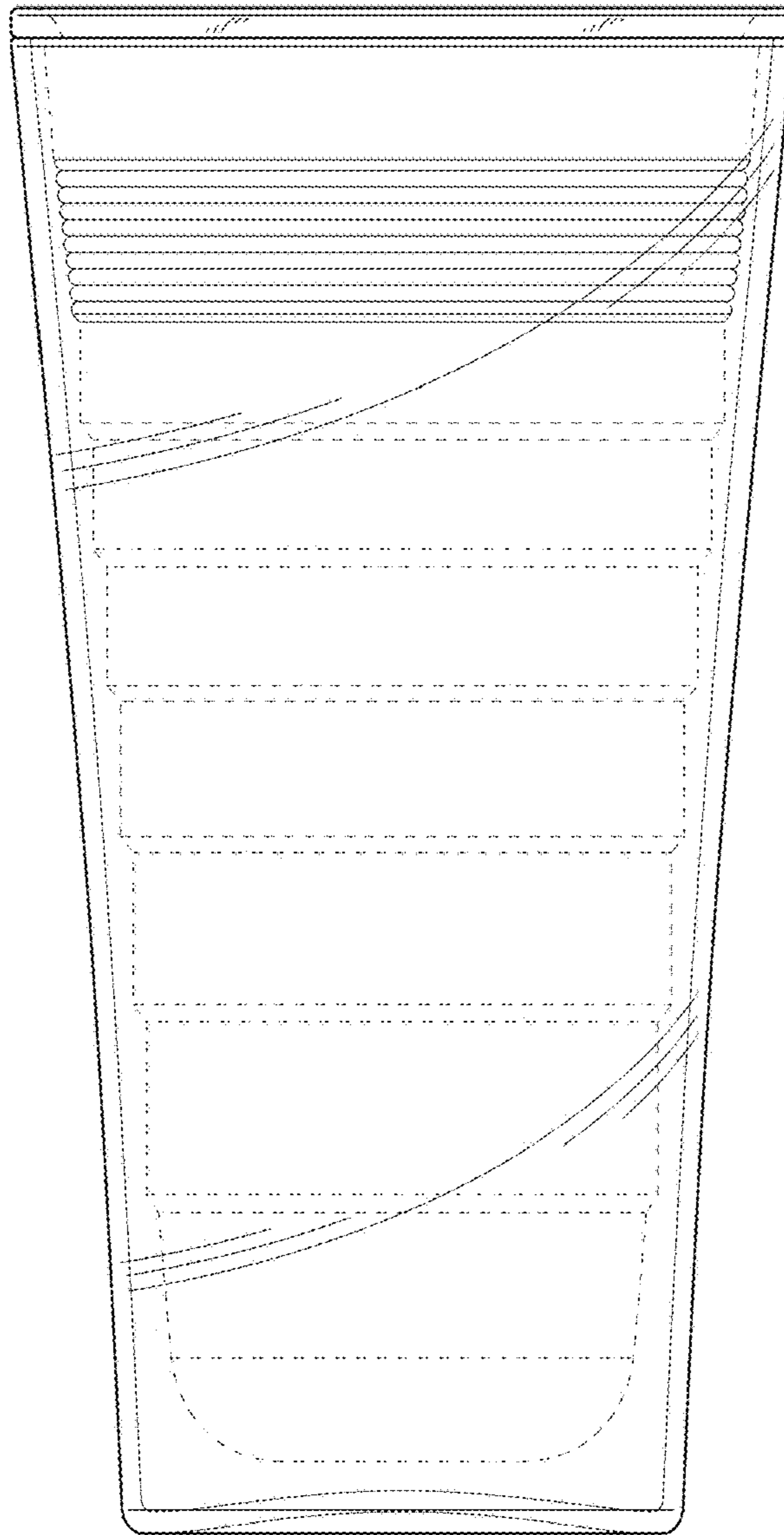


FIG. 3

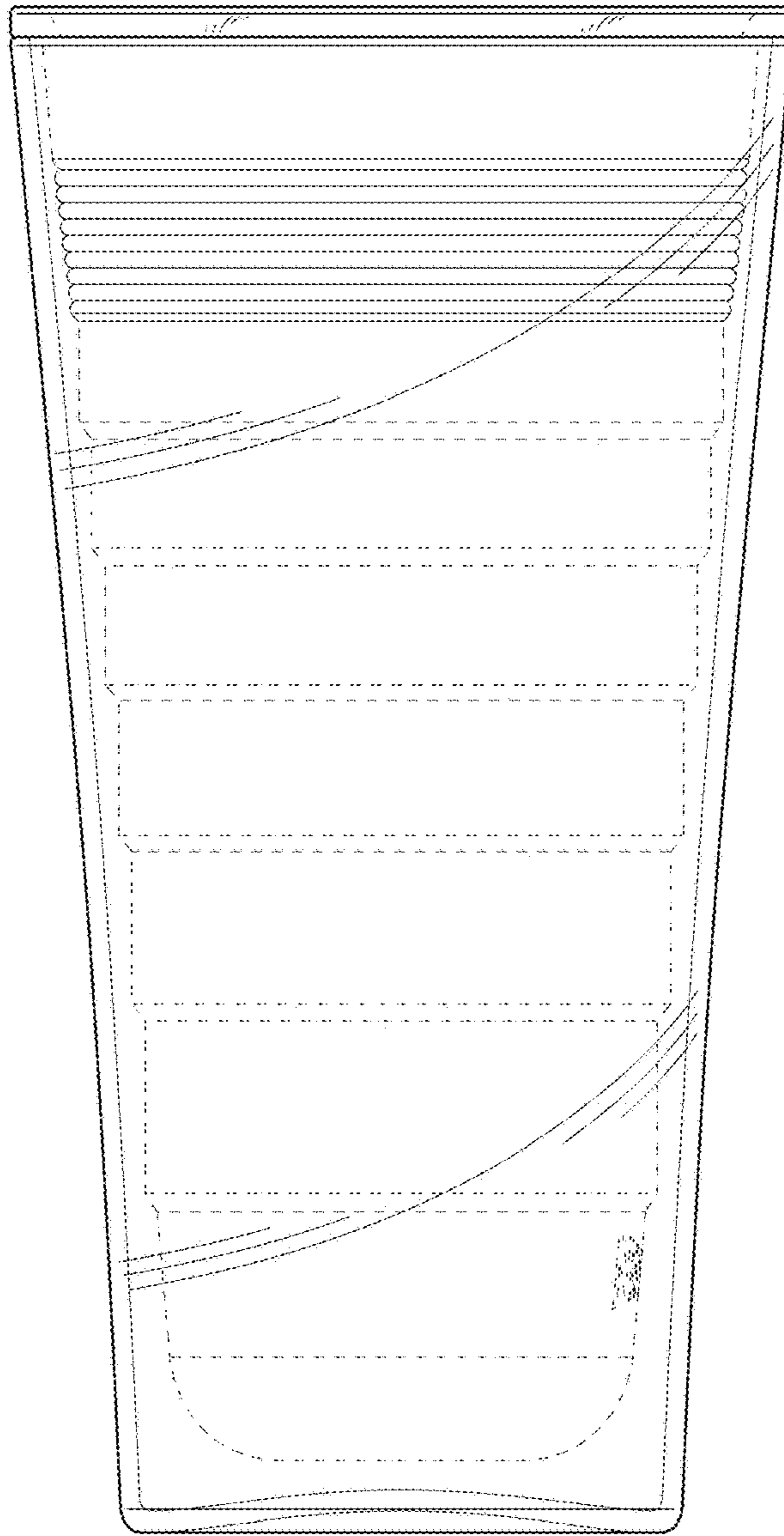


FIG. 4

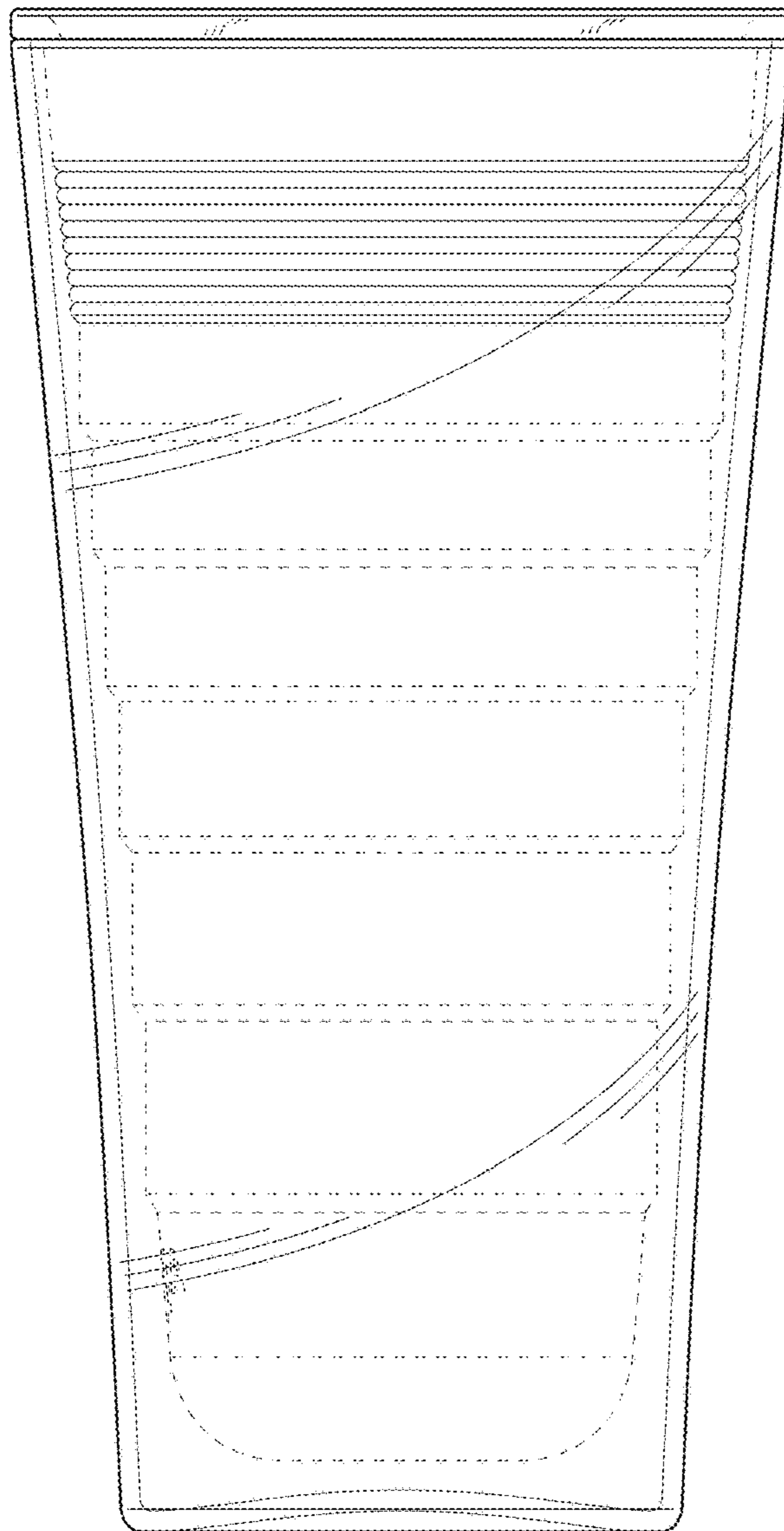


FIG. 5

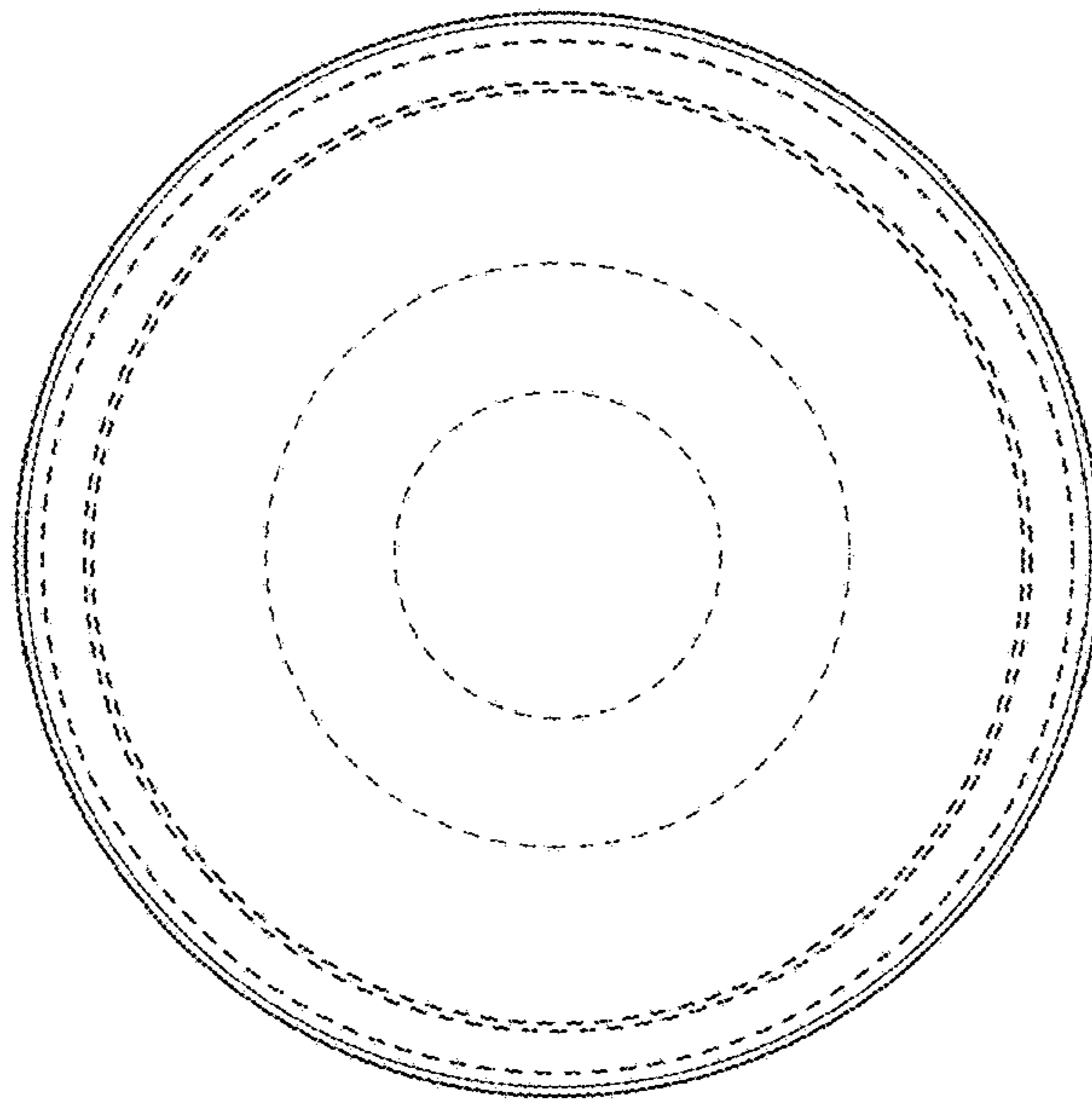


FIG. 6

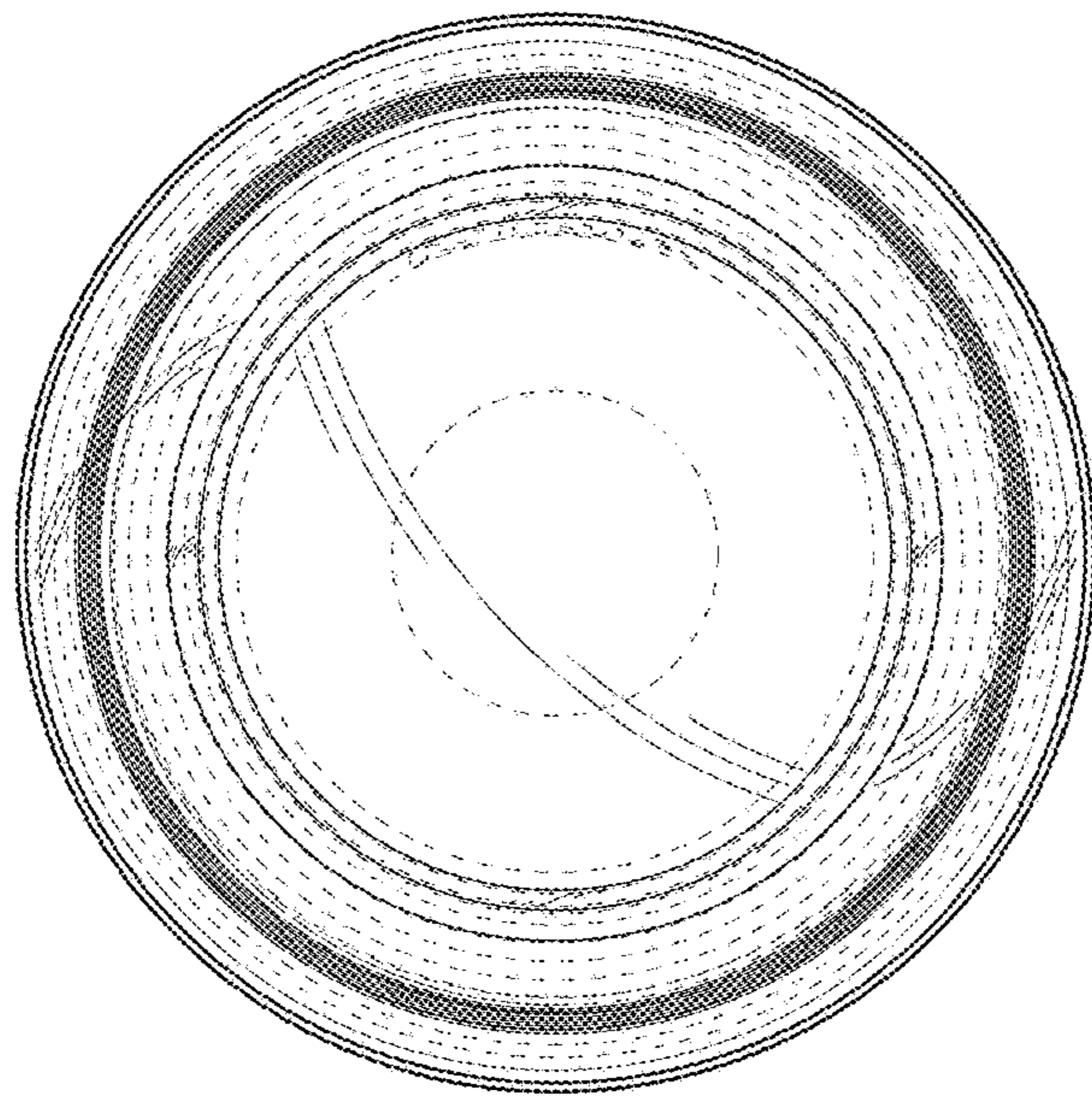


FIG. 7