



US00D849483S

(12) **United States Design Patent** (10) **Patent No.:** **US D849,483 S**
Watson (45) **Date of Patent:** **** *May 28, 2019**

- (54) **HOODIE MUG**
- (71) Applicant: **Rachel Watson**, Akron, OH (US)
- (72) Inventor: **Rachel Watson**, Akron, OH (US)
- (*) Notice: This patent is subject to a terminal disclaimer.
- (**) Term: **15 Years**
- (21) Appl. No.: **29/589,738**
- (22) Filed: **Jan. 4, 2017**
- (51) **LOC (11) Cl.** **07-01**
- (52) **U.S. Cl.**
USPC **D7/515**
- (58) **Field of Classification Search**
USPC D7/509, 514, 515, 533, 534, 536, 612;
D9/631, 632, 530, 531
CPC . A47G 19/22; A47G 19/2205; A47G 19/2272
See application file for complete search history.

7,806,044	B2	10/2010	Lin
D657,197	S	4/2012	McCleary
D685,226	S	7/2013	Aylward
D686,038	S	7/2013	Eubank et al.
D692,212	S	10/2013	Coward
D708,014	S	7/2014	Marini
D710,651	S	8/2014	Obioha
D746,109	S	* 12/2015	Wilson D7/534

OTHER PUBLICATIONS

Banksy Hoodie Mug, <http://www.amazon.com/Banksy-Tshirts-PP-Hoodie-Mug/dp/B0068OHX66>.

* cited by examiner

Primary Examiner — Derrick Holland
Assistant Examiner — Andrew Kerr
(74) *Attorney, Agent, or Firm* — Emerson Thomson Bennett LLC; Timothy D. Bennett

(57) **CLAIM**

The ornamental design for a hoodie mug, as shown and described.

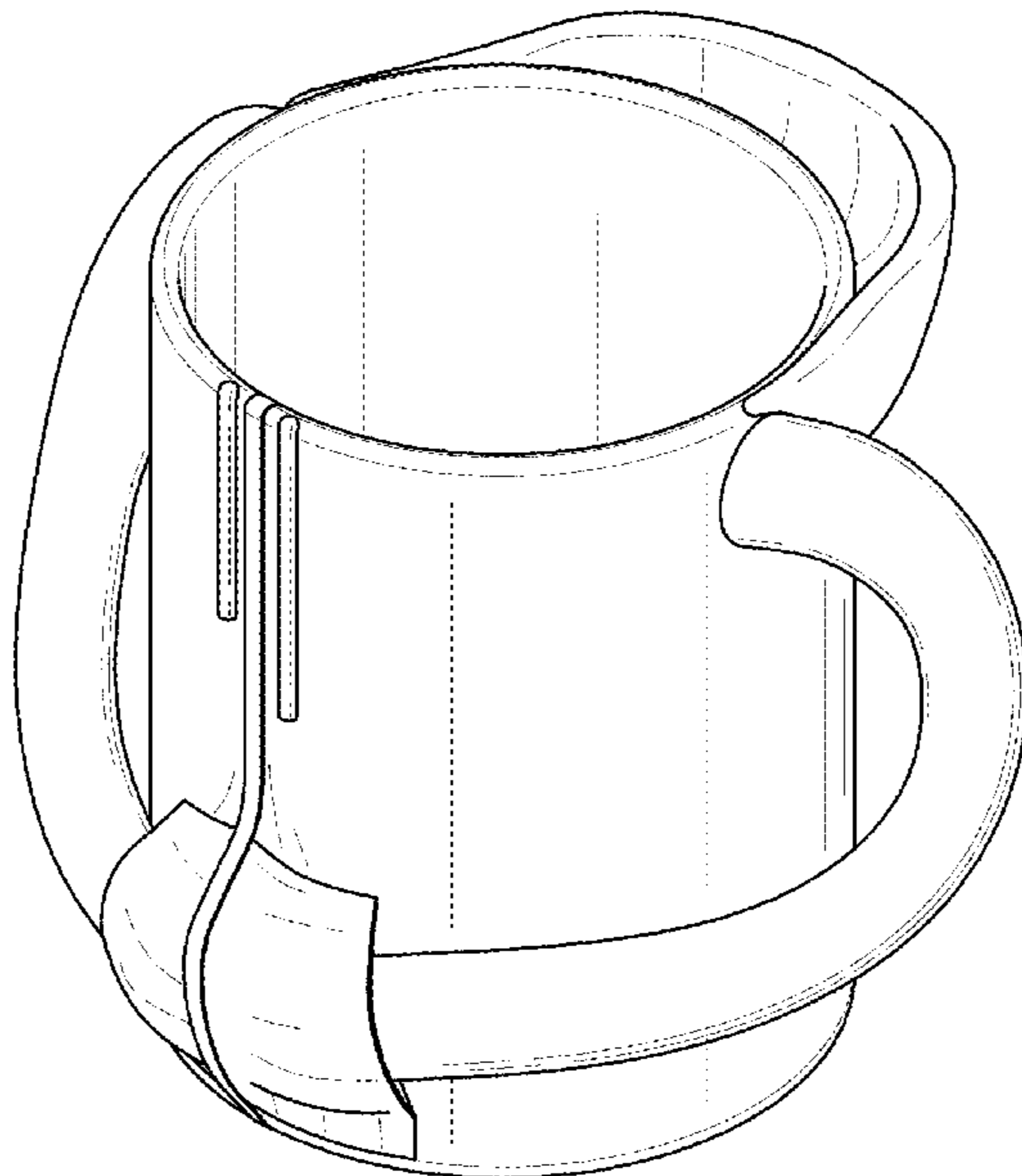
DESCRIPTION

FIG. 1 is a top front perspective view of a hoodie mug. FIG. 2 is a front view of the hoodie mug shown in FIG. 1. FIG. 3 is a back view of the hoodie mug shown in FIG. 1. FIG. 4 is a left side view of the hoodie mug shown in FIG. 1. FIG. 5 is a right side view of the hoodie mug shown in FIG. 1. FIG. 6 is a top view of the hoodie mug shown in FIG. 1. FIG. 7 is a bottom view of the hoodie mug shown in FIG. 1; and, FIG. 8 is a top back perspective view of the hoodie mug shown in FIG. 1.

(56) **References Cited**
U.S. PATENT DOCUMENTS

D277,354	S	1/1985	Levine
D282,615	S	2/1986	Levine
D283,385	S	4/1986	Mansueto
4,864,921	A	9/1989	Ross
D306,387	S	* 3/1990	Junkman D7/534
D307,229	S	4/1990	Grolman
D338,773	S	8/1993	Ilde
D351,530	S	10/1994	Petrasek
D359,655	S	6/1995	Hurst et al.
D480,269	S	10/2003	Currier
D489,229	S	5/2004	Yamane
D507,153	S	7/2005	Trombly
D615,731	S	5/2010	Oneto, Sr.
D621,221	S	8/2010	Henry

1 Claim, 8 Drawing Sheets



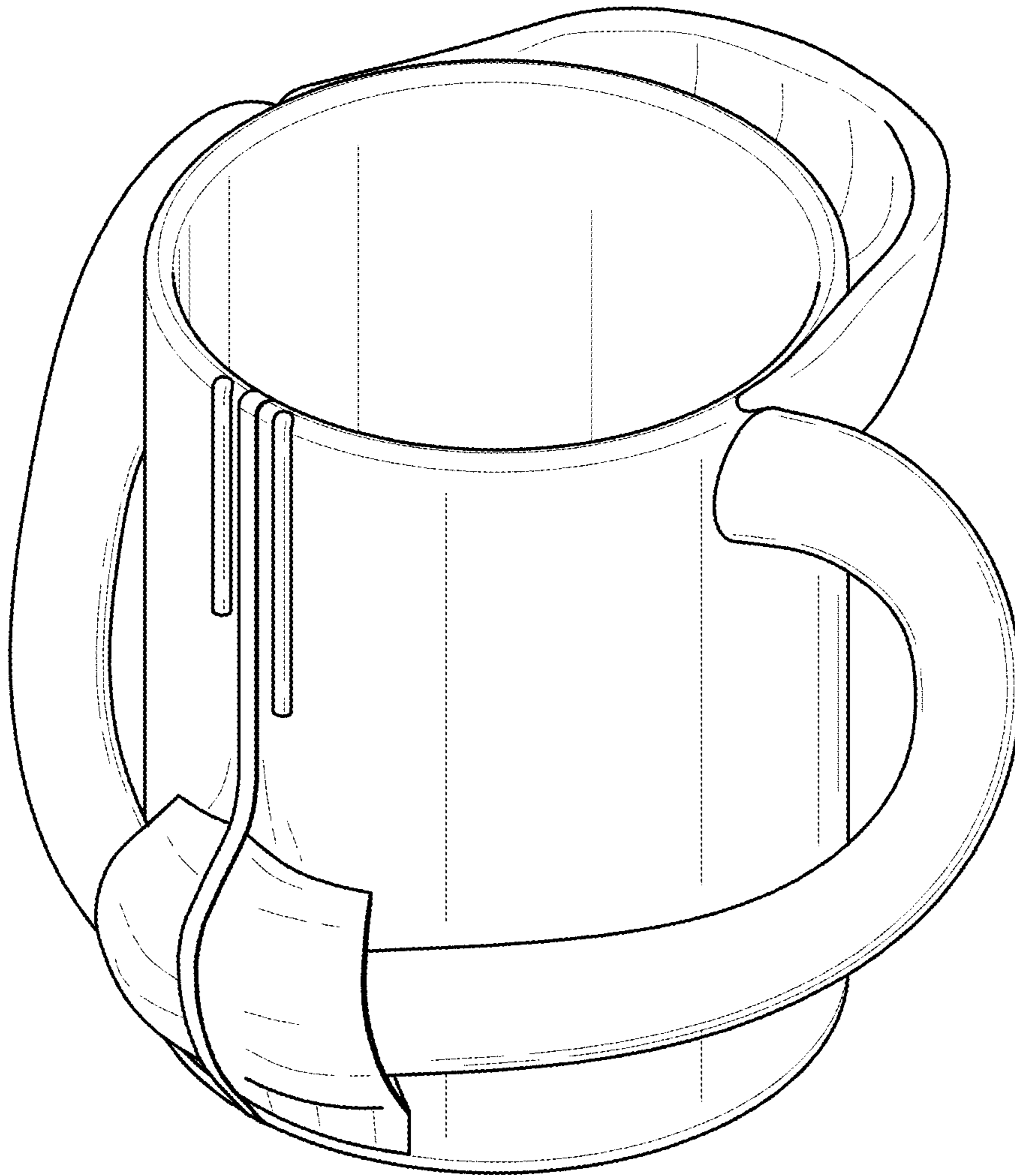


FIG. 1

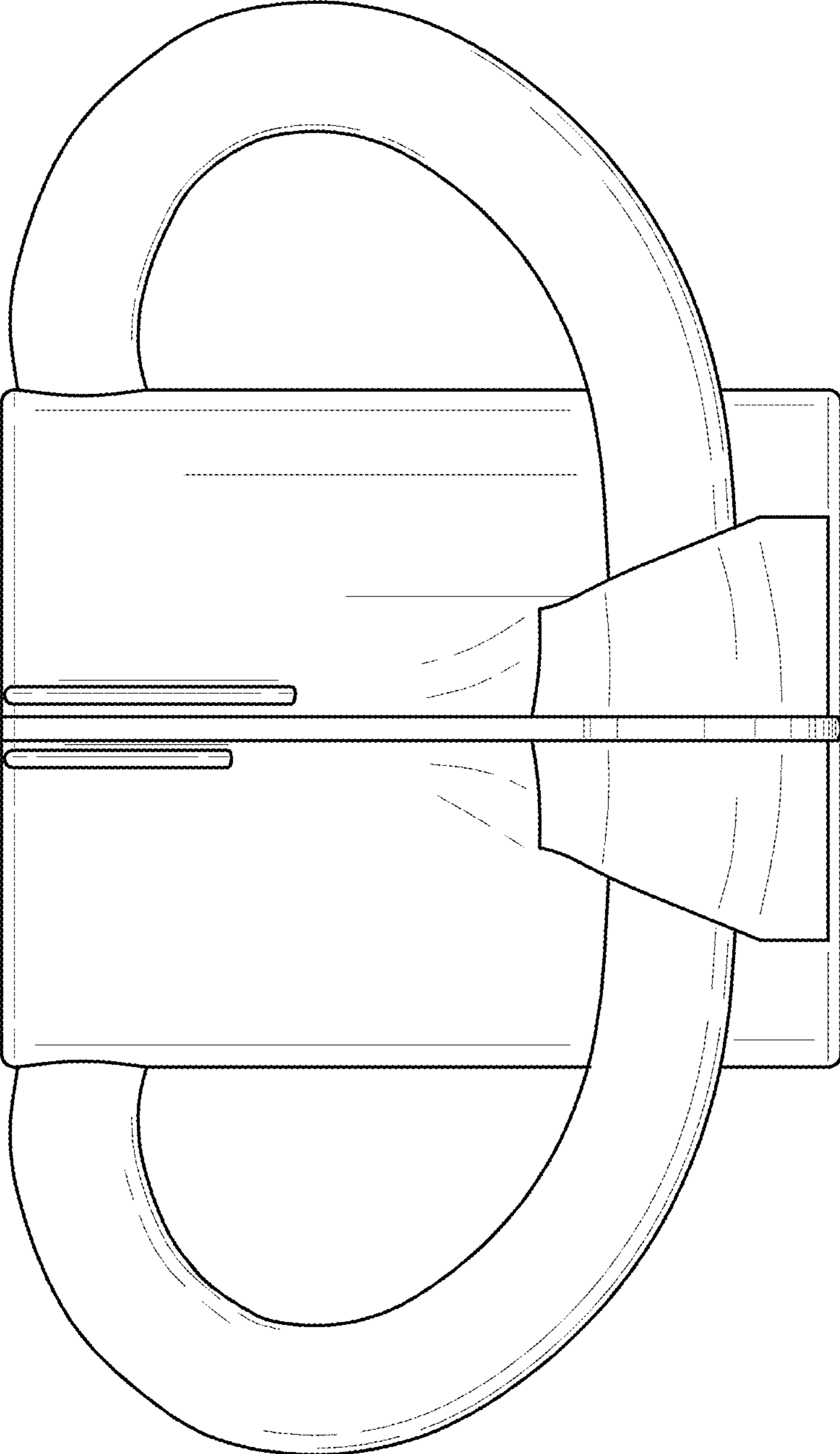


FIG. 2

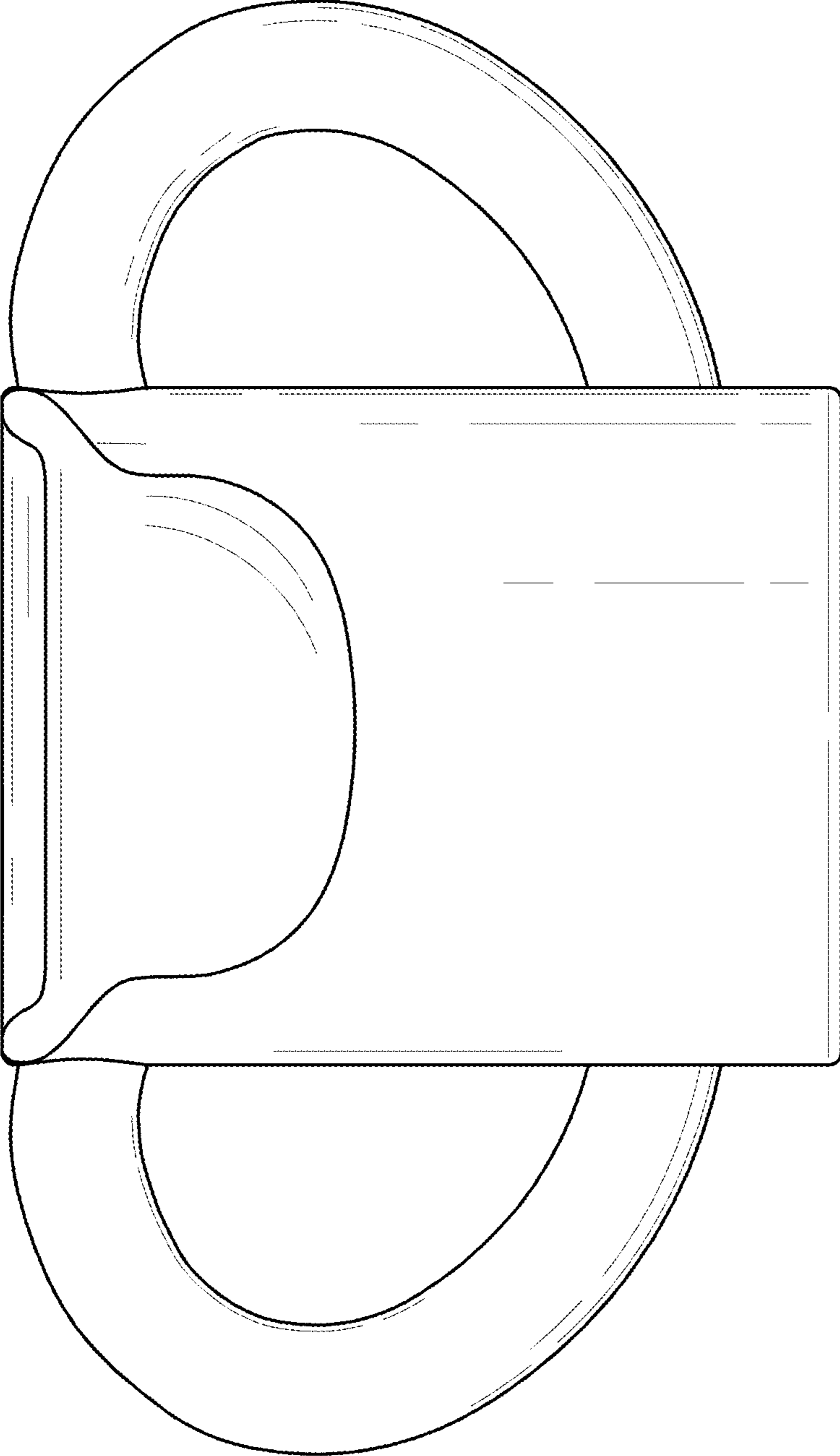


FIG. 3

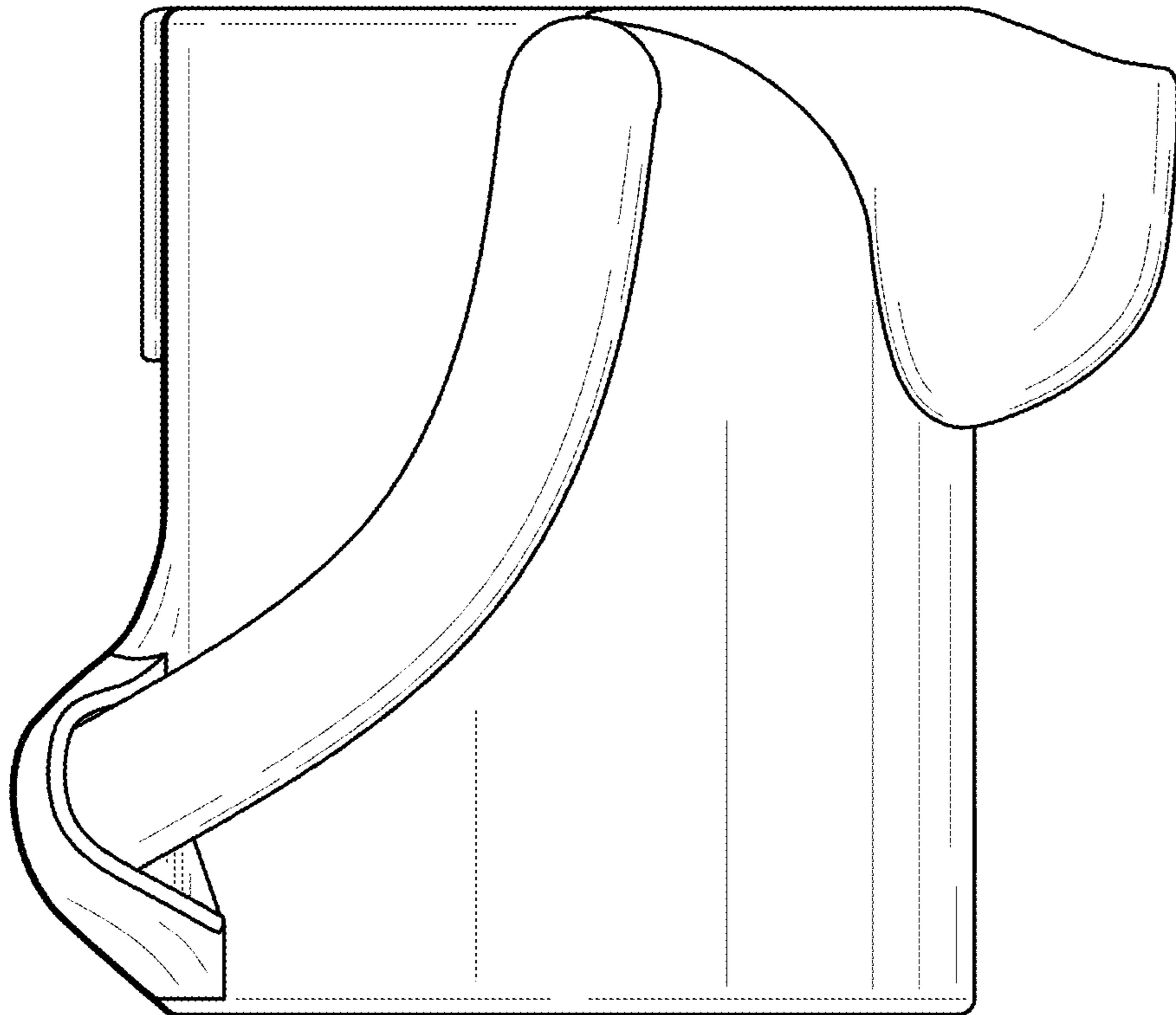


FIG. 4

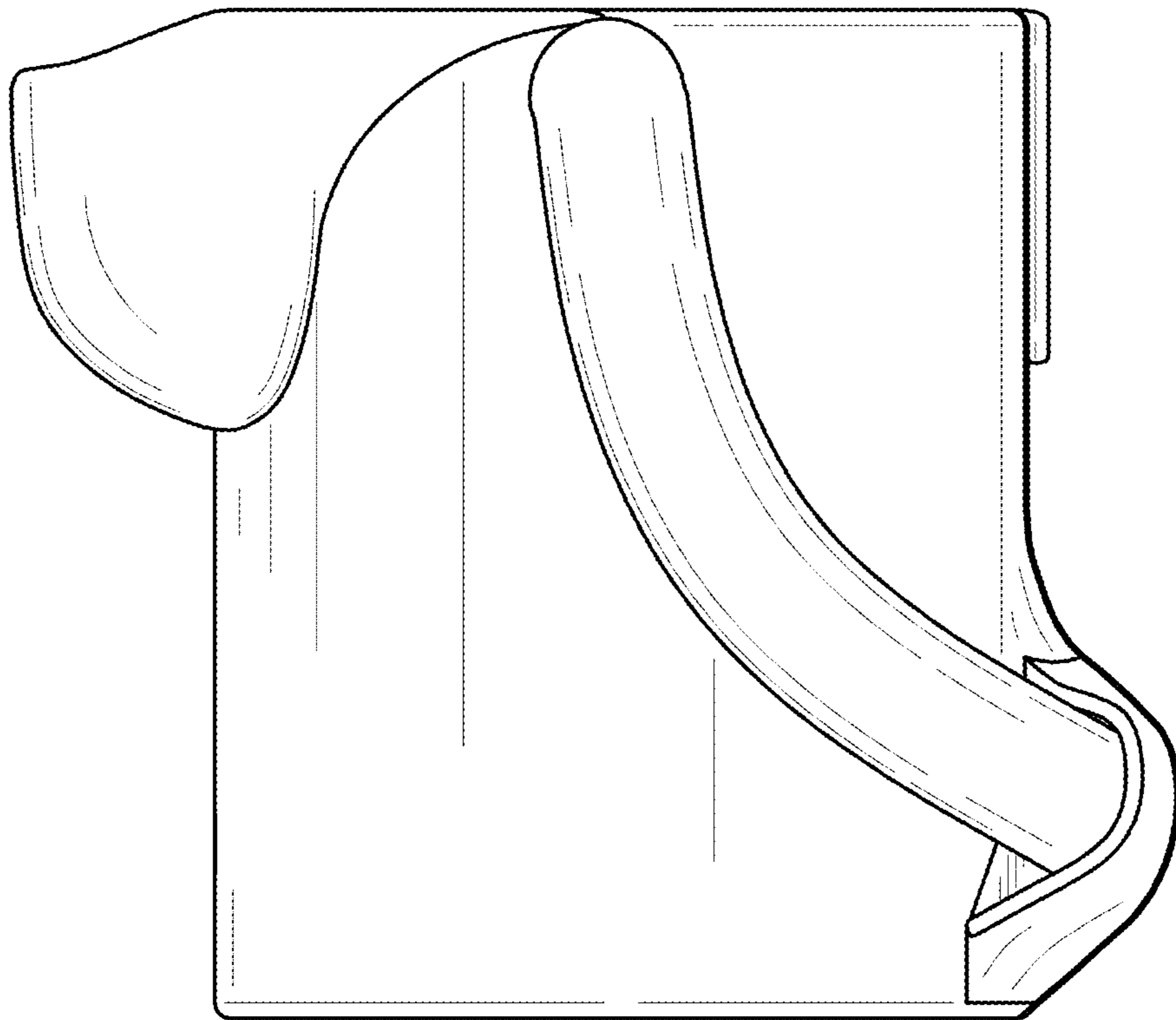


FIG. 5

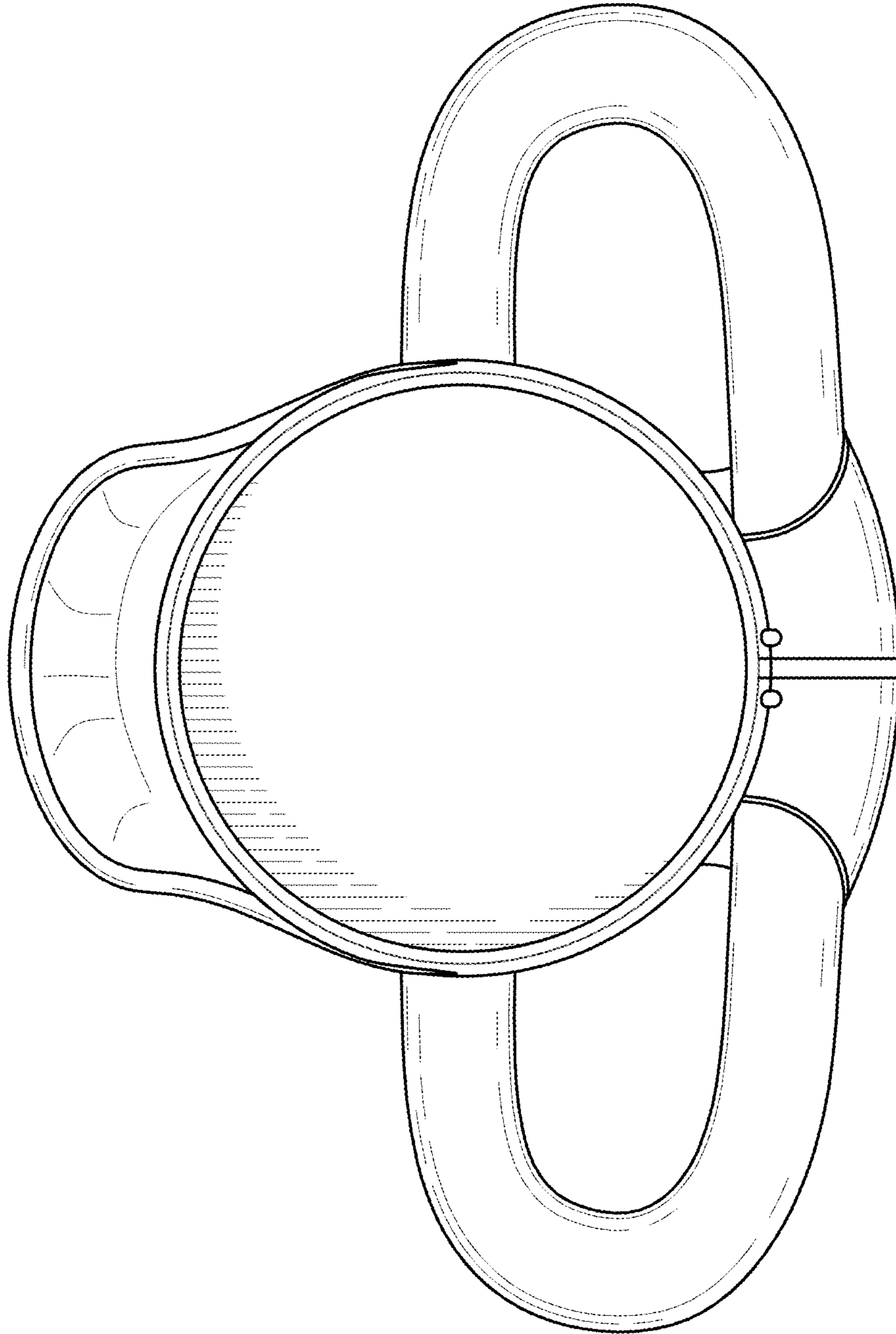


FIG. 6

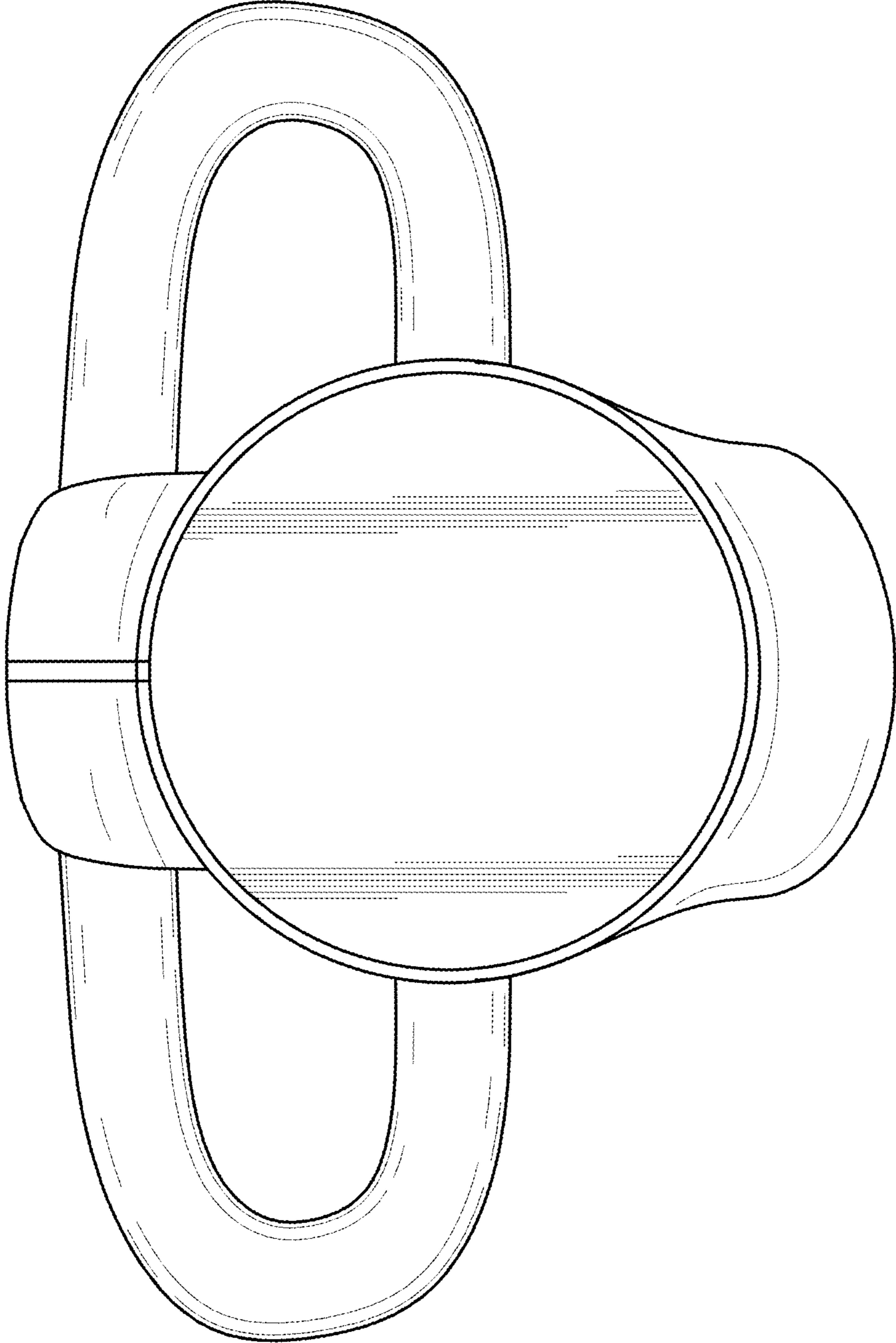


FIG. 7

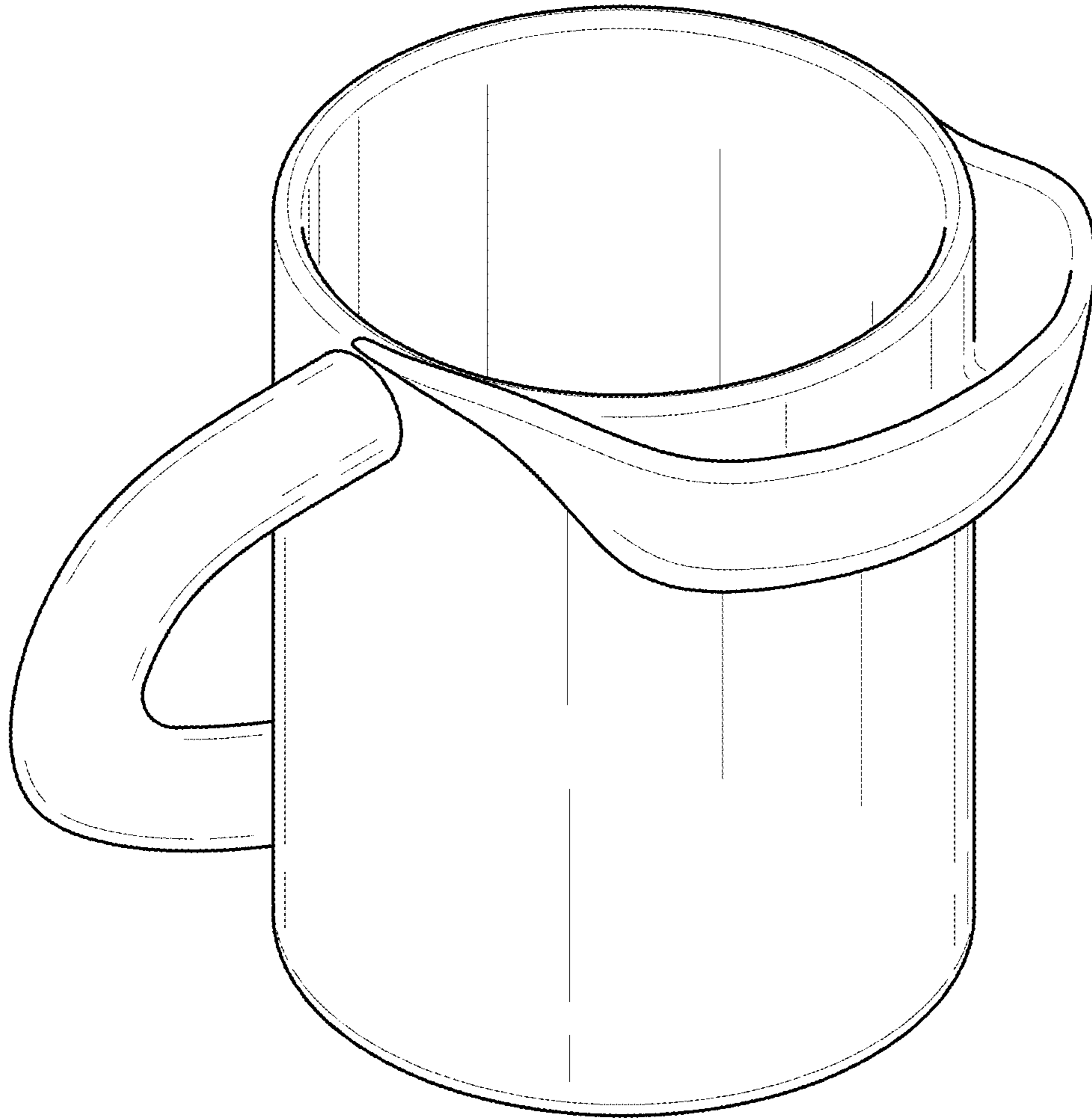


FIG. 8