



US00D849482S

(12) **United States Design Patent**  
**Diener et al.**

(10) **Patent No.:** **US D849,482 S**  
(45) **Date of Patent:** **\*\* May 28, 2019**

- (54) **VESSEL WITH ENCLOSURE**
- (71) Applicants: **Ryan Diener**, Bend, OR (US); **Mike Allen**, Bend, OR (US)
- (72) Inventors: **Ryan Diener**, Bend, OR (US); **Mike Allen**, Bend, OR (US)
- (73) Assignee: **HELEN OF TROY LIMITED**, St. Michael (BB)
- (\*\*) Term: **15 Years**
- (21) Appl. No.: **29/617,806**
- (22) Filed: **Sep. 15, 2017**
- (51) **LOC (11) Cl.** ..... **07-01**
- (52) **U.S. Cl.**  
USPC ..... **D7/510; D7/511; D7/536**
- (58) **Field of Classification Search**  
USPC ..... D7/505, 507, 509, 510, 511, 523, 532, D7/608, 300.1, 213, 392.1, 396.2, 387, D7/396.6, 624.1, 624.2, 529, 396.4, 533, D7/536, 320; D9/500, 501, 502, 503, D9/504, 505, 516, 530, 556, 569, 537, D9/549, 557, 546, 517; 220/529.16, 220/529.17; D24/197; 215/381; D23/207, 209; D14/212, 214, 216  
CPC ..... A47G 19/2205; A47G 19/2272; A47G 19/2266; A47J 43/27; A47J 41/02; A45F 3/16  
See application file for complete search history.

- D338,130 S \* 8/1993 Costello ..... D7/300
- D518,335 S \* 4/2006 Naft ..... A47G 19/2266  
D7/320
- D526,827 S \* 8/2006 Allen ..... D7/306
- D622,089 S \* 8/2010 Daniel ..... D7/313
- D625,560 S \* 10/2010 Olson ..... D7/300.1
- D641,594 S \* 7/2011 Huang ..... D7/608
- D660,084 S \* 5/2012 Gilbert ..... D7/510
- D669,740 S \* 10/2012 Ruotsalainen ..... D7/615
- D671,372 S \* 11/2012 Zou ..... D7/608
- D675,100 S \* 1/2013 Herbst ..... D7/511
- D702,892 S \* 4/2014 Duvigneau ..... D30/121
- D703,403 S \* 4/2014 Dey ..... D32/35
- D736,563 S \* 8/2015 George ..... D7/510
- D759,902 S \* 6/2016 Kim ..... D29/125
- D766,668 S \* 9/2016 Garcia ..... D7/608
- D782,253 S \* 3/2017 Boroski ..... D7/608
- D784,093 S \* 4/2017 Boroski ..... D7/608
- D786,012 S \* 5/2017 Hein ..... D7/396.2
- D808,731 S \* 1/2018 Boroski ..... D7/608
- D816,399 S \* 5/2018 Burns ..... D7/392.1
- D816,400 S \* 5/2018 Beckman ..... D7/396.2
- D824,218 S \* 7/2018 Seiders ..... D7/608

(Continued)

*Primary Examiner* — Marianne N Pandozzi  
*Assistant Examiner* — Jae Liang

(57) **CLAIM**

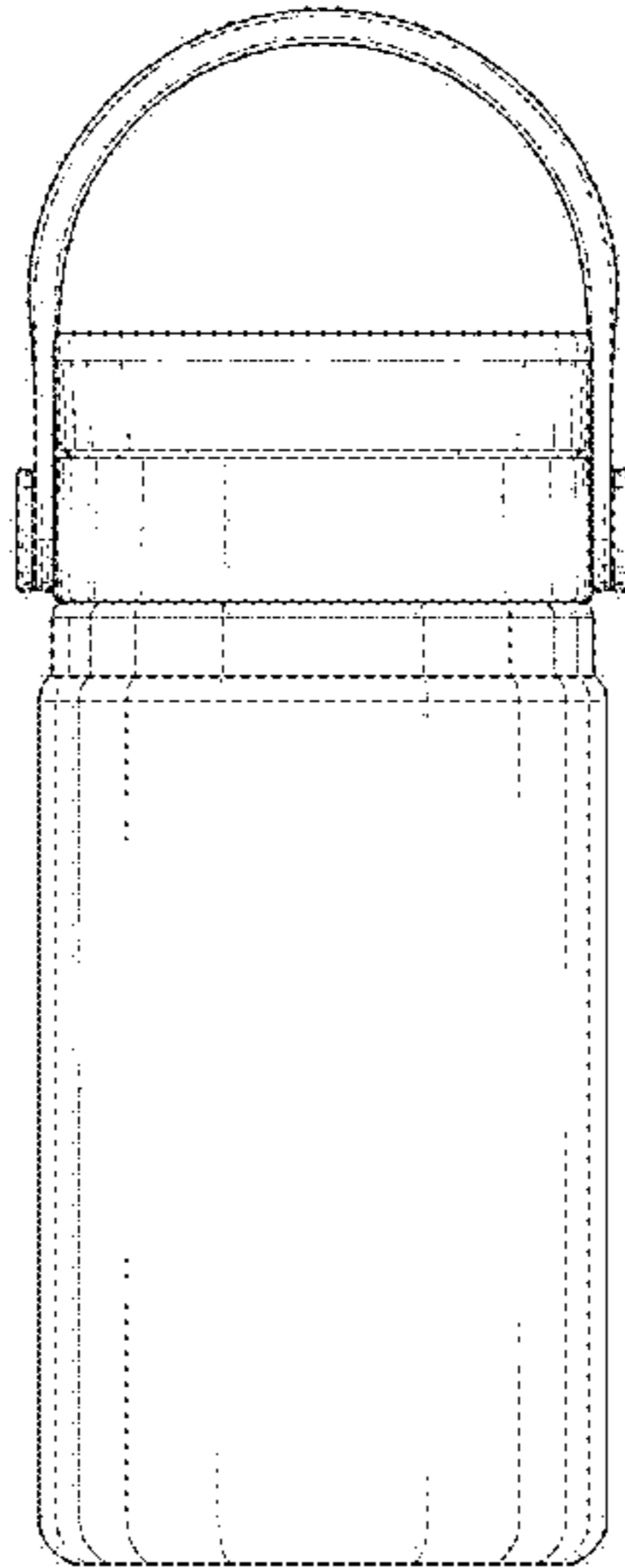
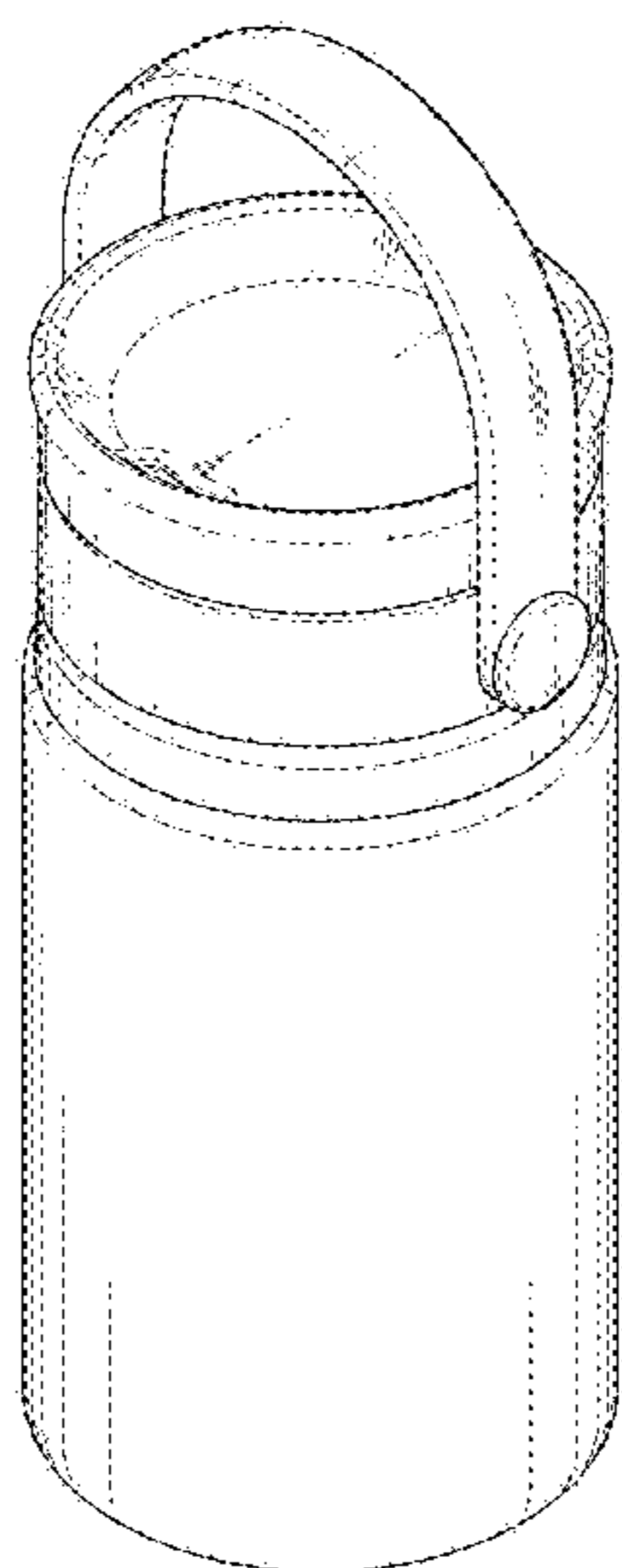
The ornamental design for a vessel with enclosure, as shown, and described.

**DESCRIPTION**

FIG. 1 is a perspective view of a vessel with enclosure showing our new design;  
FIG. 2 is a front elevational view thereof, the rear elevational view being a mirror image thereof;  
FIG. 3 is a left side view thereof, the right side view being a mirror image thereof;  
FIG. 4 is a top view thereof; and,  
FIG. 5 is a bottom view thereof.

**1 Claim, 5 Drawing Sheets**

- (56) **References Cited**  
U.S. PATENT DOCUMENTS  
4,269,322 A \* 5/1981 Larson ..... B65D 23/003  
215/397  
D262,856 S \* 2/1982 MacTavish ..... D7/320  
D269,059 S \* 5/1983 Steyn ..... D7/608  
4,537,044 A \* 8/1985 Putnam ..... A45C 11/20  
220/902



(56)

**References Cited**

U.S. PATENT DOCUMENTS

10,093,460 B2 \* 10/2018 Seiders ..... B65D 47/14  
2014/0263441 A1 \* 9/2014 Maruyama ..... B65D 83/0072  
222/95  
2016/0318693 A1 \* 11/2016 Hein ..... B65D 41/0442

\* cited by examiner

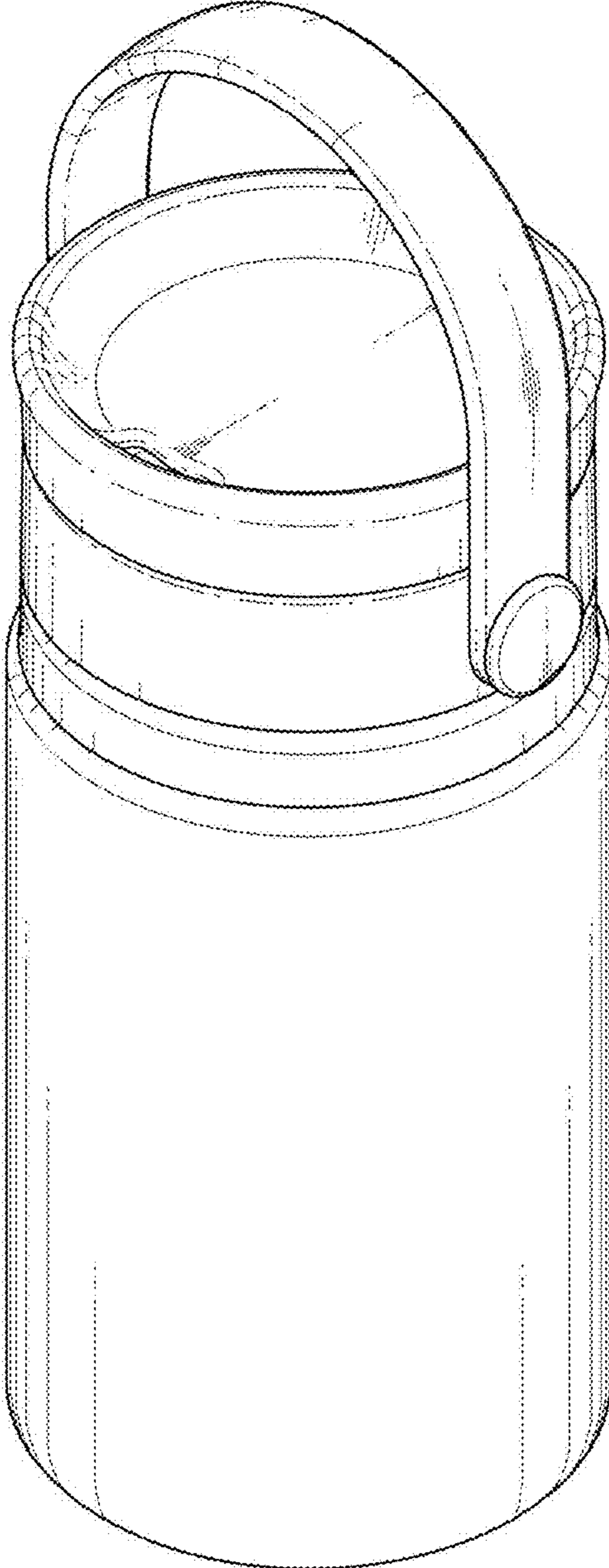


FIG. 1

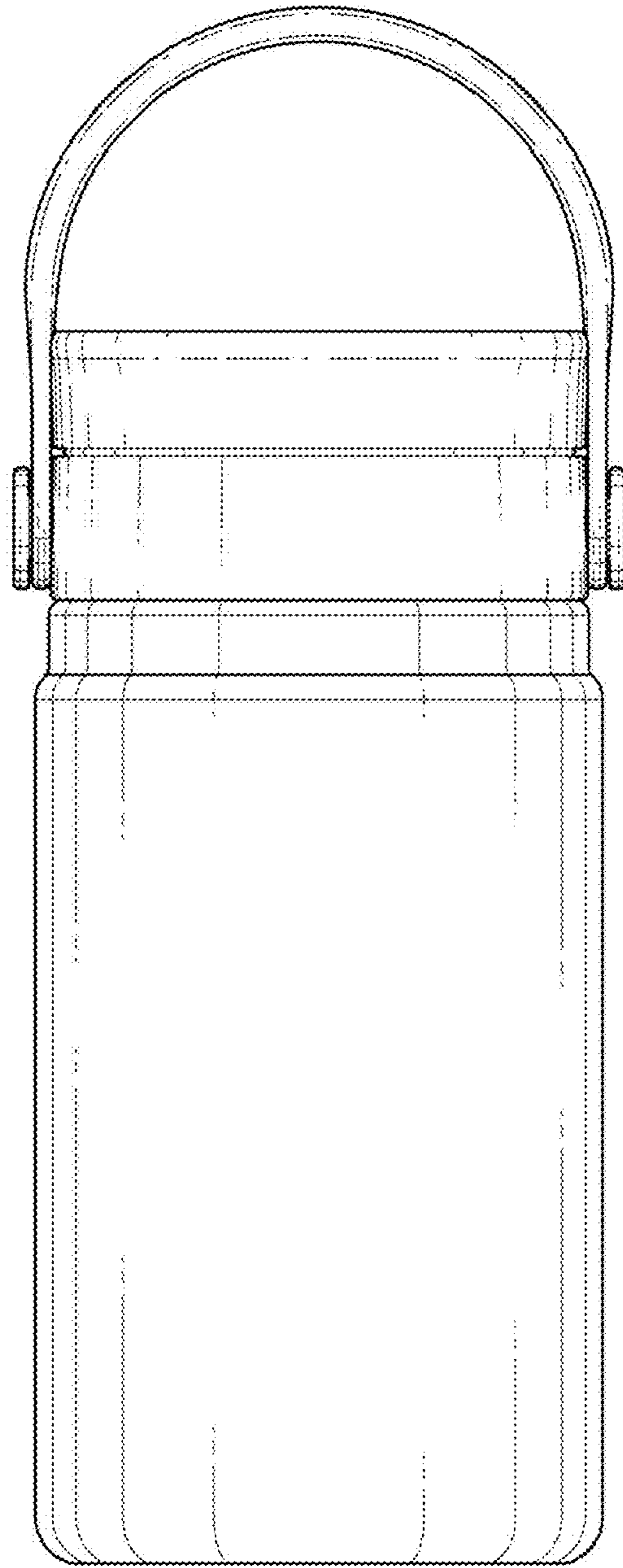


FIG. 2

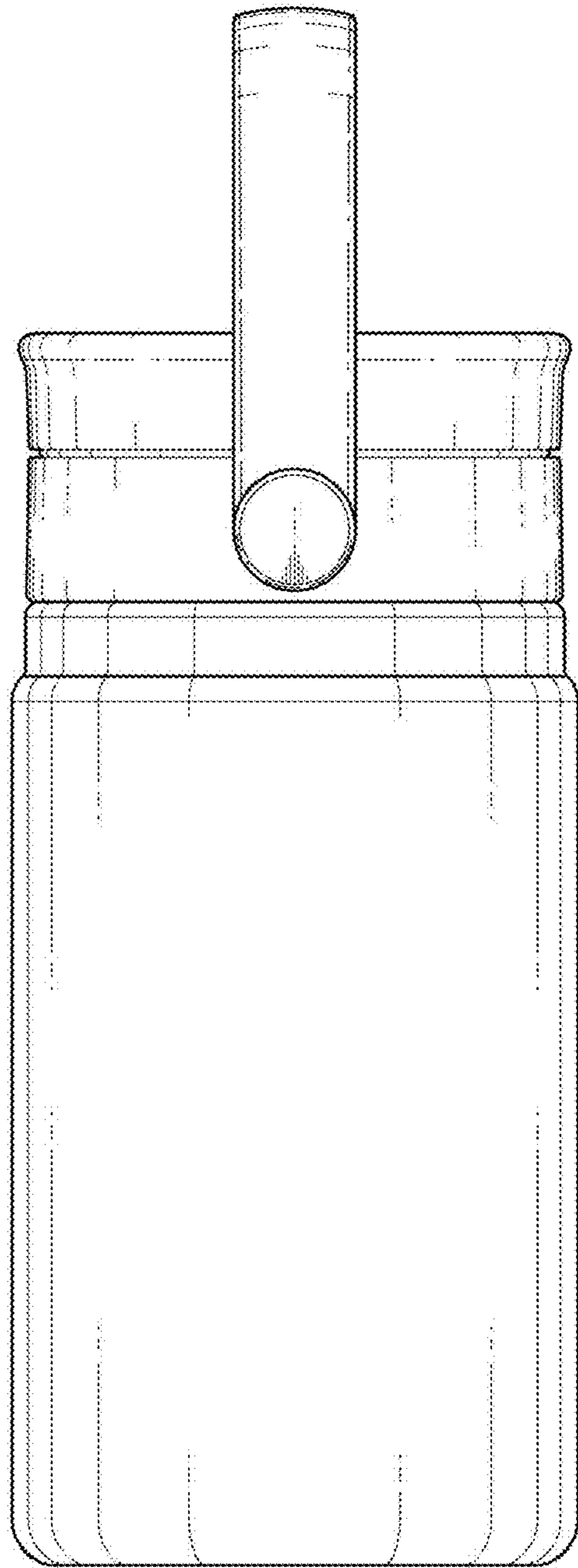


FIG. 3

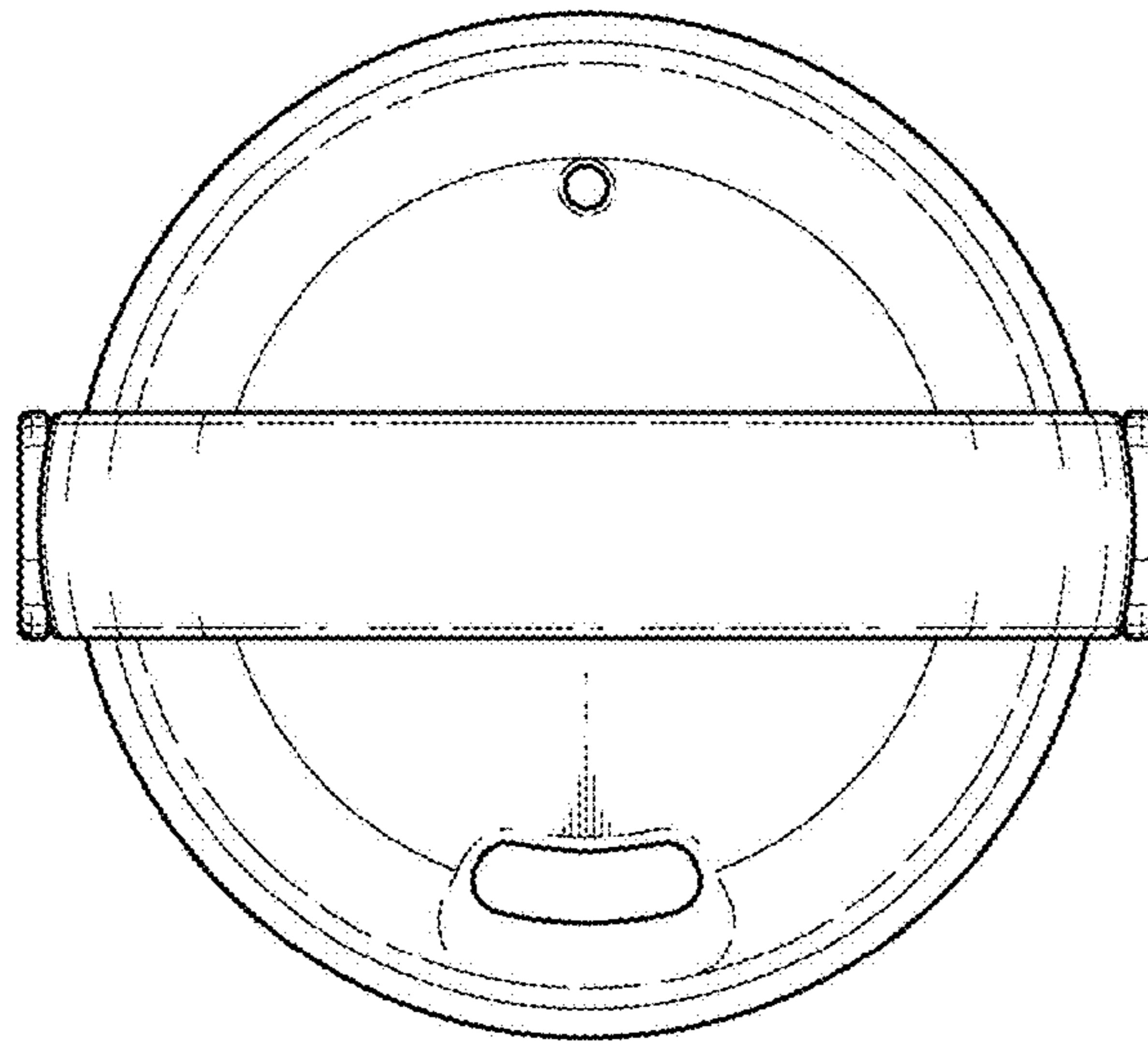


FIG. 4



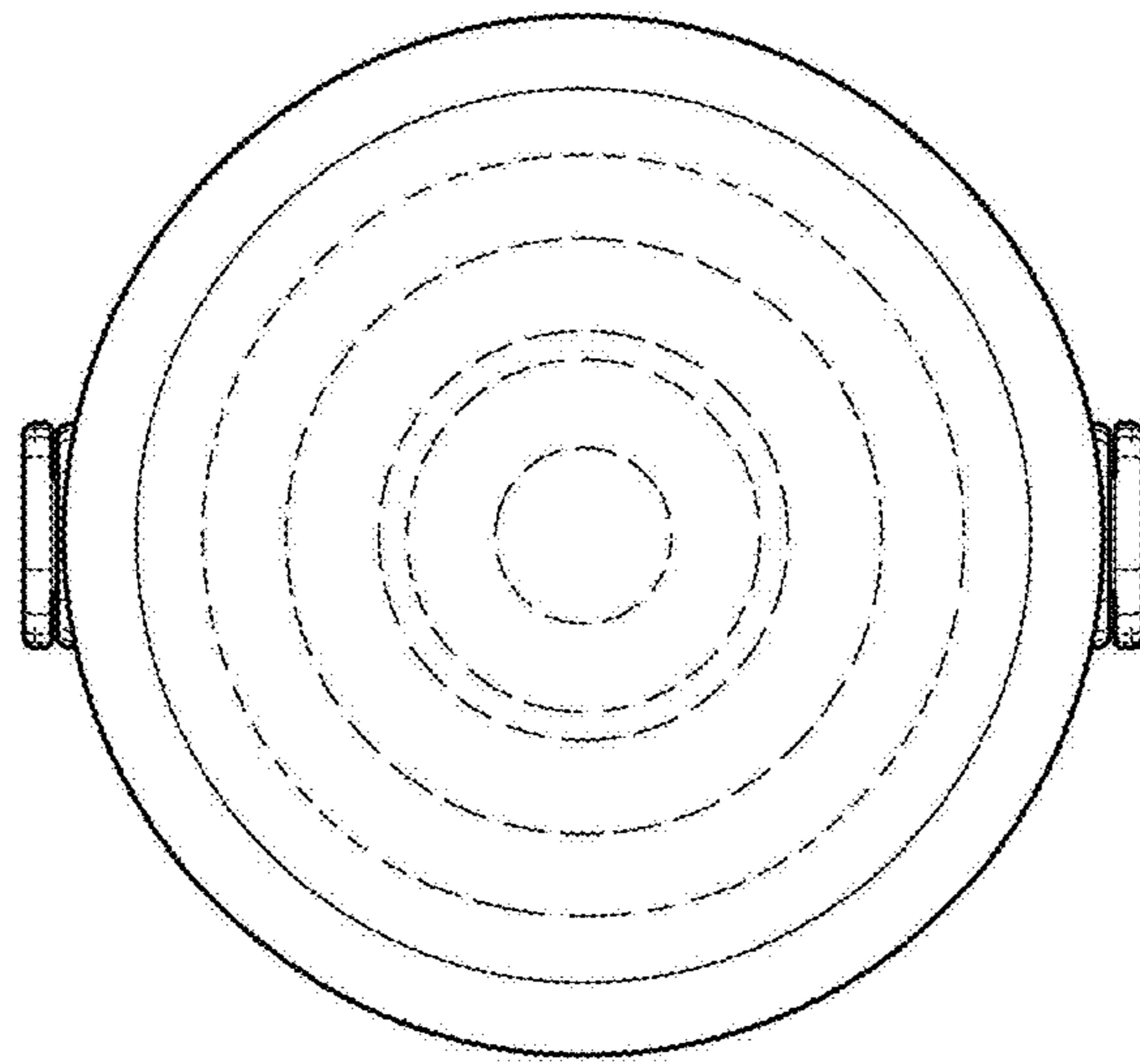


FIG. 5