



US00D849478S

(12) **United States Design Patent** (10) **Patent No.:** **US D849,478 S**  
**Pionek et al.** (45) **Date of Patent:** **\*\* May 28, 2019**

(54) **GAS COOKTOP WITH VERTICALLY MOUNTED CONTROL KNOB PANEL**

(71) Applicant: **Wolf Appliance, Inc.**, Fitchburg, WI (US)

(72) Inventors: **Jason C. Pionek**, Madison, WI (US); **Mark R. Eckert**, Verona, WI (US); **Curtis Leroy Cruver, IV**, Elmhurst, IL (US); **William Cesare Cesaroni**, Glenview, IL (US); **Curt P. Vitcenda**, Edgerton, WI (US); **Patrick W. Best**, Mount Horeb, WI (US)

(73) Assignee: **WOLF APPLIANCE, INC.**, Fitchburg, WI (US)

(\*\*) Term: **15 Years**

(21) Appl. No.: **29/554,267**

(22) Filed: **Feb. 10, 2016**

(51) **LOC (11) Cl.** ..... **07-02**

(52) **U.S. Cl.**  
USPC ..... **D7/406**

(58) **Field of Classification Search**  
USPC ..... D7/387, 402-409, 393, 394, 323, 331, D7/332-337, 339, 340, 346-349, 351, D7/354, 358; D12/500, 501, 502, 204  
CPC ..... F24C 15/36; F24C 15/107; F24C 15/024; F24C 3/08; F24C 3/124; F24C 7/08; F24C 7/081; F24C 7/082; F24C 7/087; A47J 37/042; A47J 37/07; A47J 37/12; A47J 37/129; A47J 37/1295

See application file for complete search history.

D324,807 S	3/1992	Reid et al.	
D369,940 S *	5/1996	Wilsdorf .....	D7/340
5,936,613 A	8/1999	Jaeger et al.	
D419,218 S	1/2000	Mullenmeister	
6,079,401 A	6/2000	Alvord et al.	
D493,090 S	7/2004	Chen et al.	
D498,657 S	11/2004	Milrud et al.	
D509,095 S *	9/2005	Grutzke .....	D7/346
D509,987 S *	9/2005	Vetter .....	D7/340
D511,290 S	11/2005	Coudurier	
D525,517 S	7/2006	Baldwin	
D534,628 S	1/2007	Chisenhall	
7,171,727 B2	2/2007	Wylie et al.	
7,251,861 B2	8/2007	Suzuki	
7,259,908 B2	8/2007	Wagener et al.	
D568,715 S	5/2008	Gustafson et al.	
7,381,128 B2	6/2008	Ogawa et al.	
D578,890 S	10/2008	Swanson et al.	
7,462,795 B2	12/2008	Montalvo	
D597,632 S	8/2009	Obara et al.	
D631,726 S	2/2011	Sanchez	
D644,912 S	9/2011	Benold	
D645,702 S *	9/2011	Baacke .....	D7/405
D649,004 S	11/2011	Sanchez	
8,430,460 B2	4/2013	Erro et al.	
D696,068 S	12/2013	Baacke	
D697,359 S *	1/2014	Meda .....	D7/346
D704,028 S	5/2014	Meda et al.	
D724,381 S	3/2015	Pionek et al.	
D724,382 S	3/2015	Pionek et al.	
D724,888 S *	3/2015	Lee .....	D7/340
8,979,289 B2	3/2015	Camli et al.	
9,146,033 B2	9/2015	Cadima et al.	
D741,454 S	10/2015	Freier et al.	
D752,385 S	3/2016	Pionek et al.	
D752,386 S	3/2016	Pionek et al.	
D764,028 S	8/2016	Schoenherr et al.	
D779,262 S *	2/2017	Kim .....	D7/348
D781,126 S	3/2017	Pionek et al.	
D806,512 S *	1/2018	Chow .....	D8/311
2014/0047943 A1	2/2014	Camli et al.	
2017/0227231 A1 *	8/2017	Pionek .....	F24C 3/124

(56) **References Cited**

U.S. PATENT DOCUMENTS

2,682,859 A	7/1954	Jensen et al.	
2,699,141 A	1/1955	Gaguski	
2,998,733 A	9/1961	Thompson	
D194,137 S *	11/1962	Jenn .....	D7/346
D266,348 S	9/1982	Piesco	
D316,293 S	4/1991	Ragonot	

FOREIGN PATENT DOCUMENTS

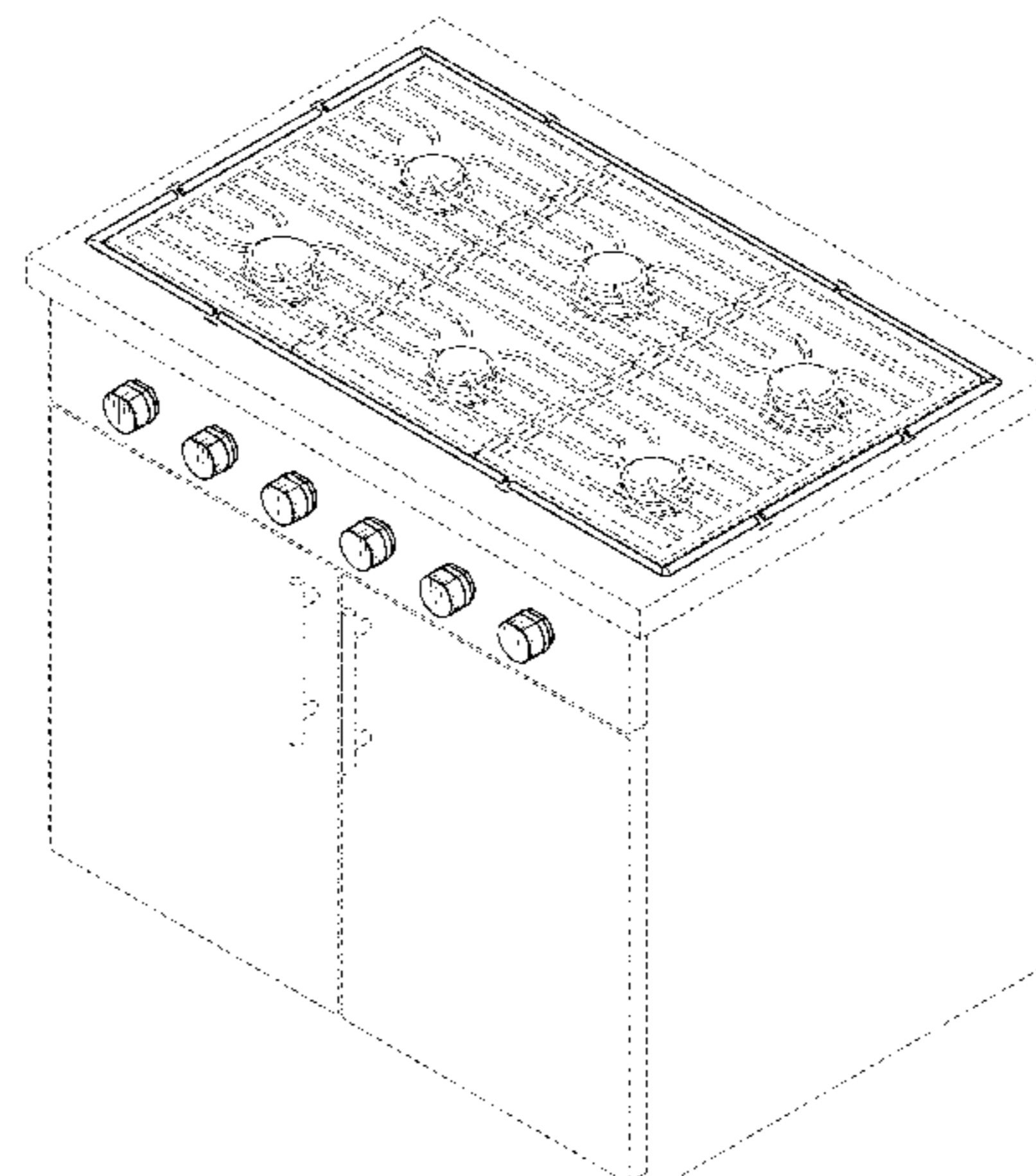
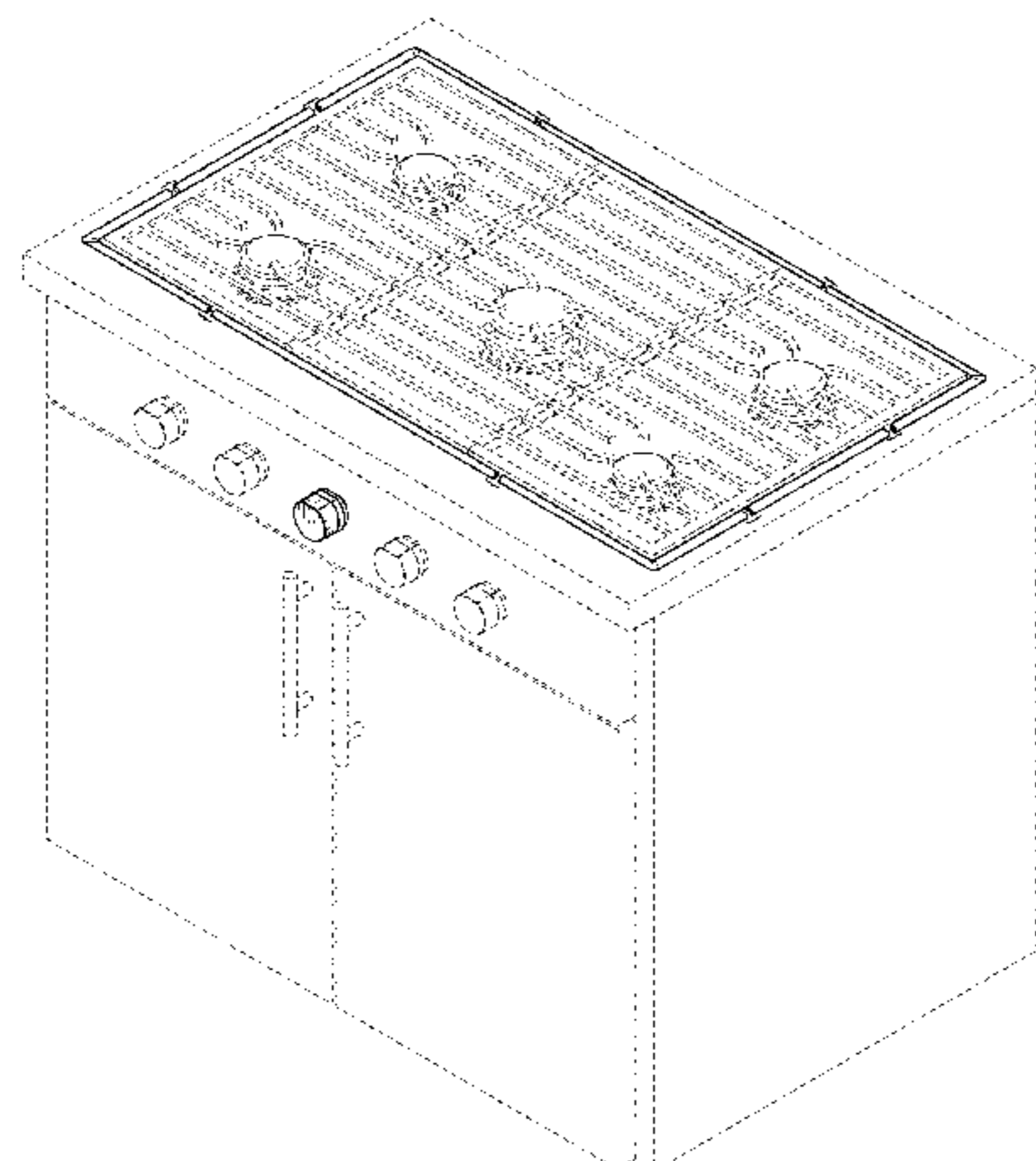
EP 2659190 9/2014

\* cited by examiner

*Primary Examiner* — Sheryl Lane

*Assistant Examiner* — Nicole C Shiflet

(74) *Attorney, Agent, or Firm* — Bell & Manning, LLC



(57)

**CLAIM**

We claim the ornamental design for a gas cooktop with vertically mounted control knob panel, as shown and described.

**DESCRIPTION**

FIG. 1 is a top, front, right perspective view including an environment of use of a first embodiment of a gas cooktop with vertically mounted control knob panel showing our new design;

FIG. 2 is a top, front perspective view including an environment of use of the gas cooktop with vertically mounted control knob panel of FIG. 1;

FIG. 3 is a top plan view of the gas cooktop with vertically mounted control knob panel of FIG. 1;

FIG. 4 is a front elevation view of the gas cooktop with vertically mounted control knob panel of FIG. 1;

FIG. 5 is a back elevation view of the gas cooktop with vertically mounted control knob panel of FIG. 1;

FIG. 6 is a bottom plan view of the gas cooktop with vertically mounted control knob panel of FIG. 1;

FIG. 7 is a right elevation view of the gas cooktop with vertically mounted control knob panel of FIG. 1;

FIG. 8 is a left elevation view of the gas cooktop with vertically mounted control knob panel of FIG. 1;

FIG. 9 is a top, front, right perspective view including an environment of use of a second embodiment of the gas cooktop with vertically mounted control knob panel showing our new design;

FIG. 10 is a top, front perspective view including an environment of use of the gas cooktop with vertically mounted control knob panel of FIG. 9;

FIG. 11 is a front elevation view of the gas cooktop with vertically mounted control knob panel of FIG. 9;

FIG. 12 is a bottom plan view of the gas cooktop with vertically mounted control knob panel of FIG. 9;

FIG. 13 is a top plan view of the gas cooktop with vertically mounted control knob panel of FIG. 9;

FIG. 14 is a top, front, right perspective view including an environment of use of a third embodiment of the gas cooktop with vertically mounted control knob panel showing our new design;

FIG. 15 is a top, front perspective view including an environment of use of the gas cooktop with vertically mounted control knob panel of FIG. 14;

FIG. 16 is a front elevation view of the gas cooktop with vertically mounted control knob panel of FIG. 14;

FIG. 17 is a bottom plan view of the gas cooktop with vertically mounted control knob panel of FIG. 14;

FIG. 18 is a top plan view of the gas cooktop with vertically mounted control knob panel of FIG. 14;

FIG. 19 is a top, front, right perspective view including an environment of use of a fourth embodiment of the gas cooktop with vertically mounted control knob panel showing our new design;

FIG. 20 is a top, front perspective view including an environment of use of the gas cooktop with vertically mounted control knob panel of FIG. 19;

FIG. 21 is a front elevation view of the gas cooktop with vertically mounted control knob panel of FIG. 19;

FIG. 22 is a bottom plan view of the gas cooktop with vertically mounted control knob panel of FIG. 19;

FIG. 23 is a top plan view of the gas cooktop with vertically mounted control knob panel of FIG. 19;

FIG. 24 is a left elevation view of the gas cooktop with vertically mounted control knob panel of FIG. 19;

FIG. 25 is a top, front, right perspective view including an environment of use of a fifth embodiment of the gas cooktop with vertically mounted control knob panel showing our new design;

FIG. 26 is a top, front perspective view including an environment of use of the gas cooktop with vertically mounted control knob panel of FIG. 25;

FIG. 27 is a front elevation view of the gas cooktop with vertically mounted control knob panel of FIG. 25;

FIG. 28 is a bottom plan view of the gas cooktop with vertically mounted control knob panel of FIG. 25;

FIG. 29 is a top plan view of the gas cooktop with vertically mounted control knob panel of FIG. 25;

FIG. 30 is a right elevation view of the gas cooktop with vertically mounted control knob panel of FIG. 25;

FIG. 31 is a top, front, right perspective view including an environment of use of a sixth embodiment of the gas cooktop with vertically mounted control knob panel showing our new design;

FIG. 32 is a top, front perspective view including an environment of use of the gas cooktop with vertically mounted control knob panel of FIG. 31;

FIG. 33 is a front elevation view of the gas cooktop with vertically mounted control knob panel of FIG. 31;

FIG. 34 is a bottom plan view of the gas cooktop with vertically mounted control knob panel of FIG. 31; and,

FIG. 35 is a top plan view of the gas cooktop with vertically mounted control knob panel of FIG. 31.

The broken lines in FIGS. 1-35 are included for the purpose of illustrating portions of the environment in which the gas cooktop with vertically mounted control knob panel is used. The broken lines in FIGS. 1-35 form no part of the claimed design. The dash-dot lines are included for the purpose of illustrating a boundary below which no additional portion of the environment is shown. The dash-dot lines in FIGS. 2, 4-8, 10-12, 15-17, 20-22, 24, 26-28, 30, and 32-34 form no part of the claimed design. The appearance of any portion of the first, second, third, fourth, fifth, and sixth embodiments of the vertically mounted gas cooktop control knob panel between the break lines spanned by a bracket “{” forms no part of the claimed design of FIGS. 1-35. The back elevation views of the second, third, fourth, fifth, and sixth embodiments are identical to FIG. 5. The right elevation views of the second, third, and fourth embodiments are identical to FIG. 7. The right elevation view of the sixth embodiment is identical to FIG. 30. The left elevation views of the second and third embodiments are identical to FIG. 8. The left elevation views of the fifth and sixth embodiments are identical to FIG. 24.

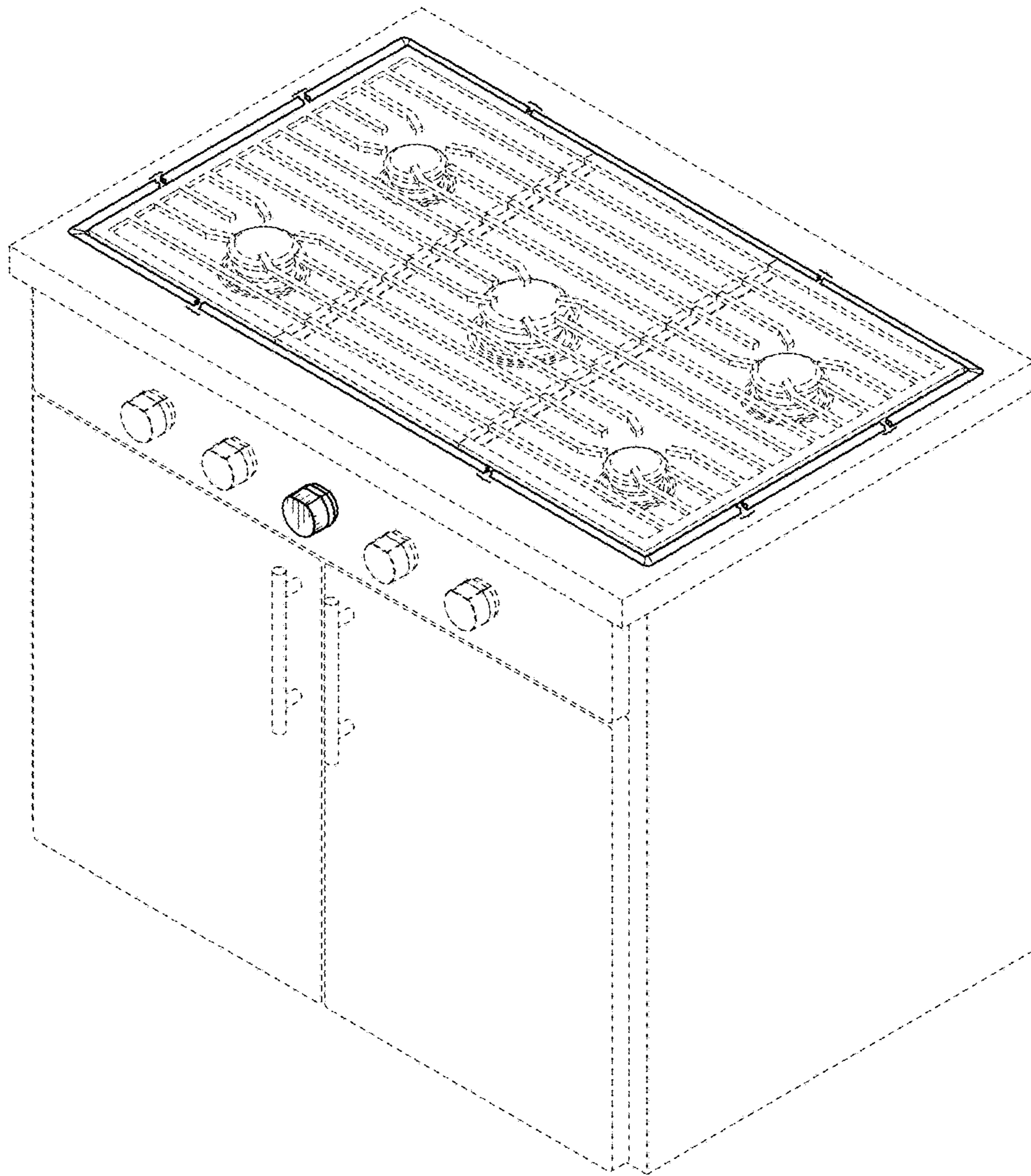


FIG. 1

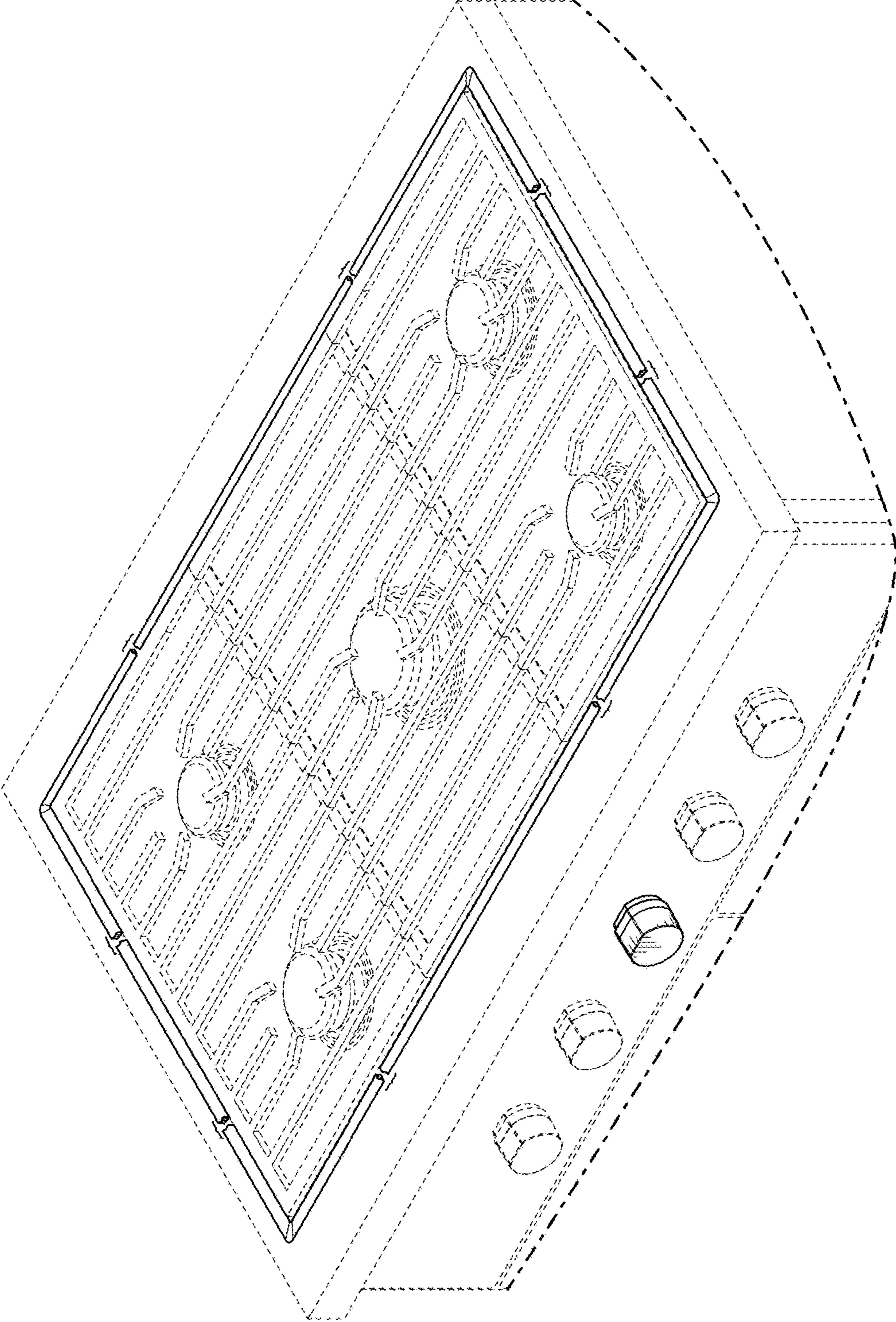


FIG. 2

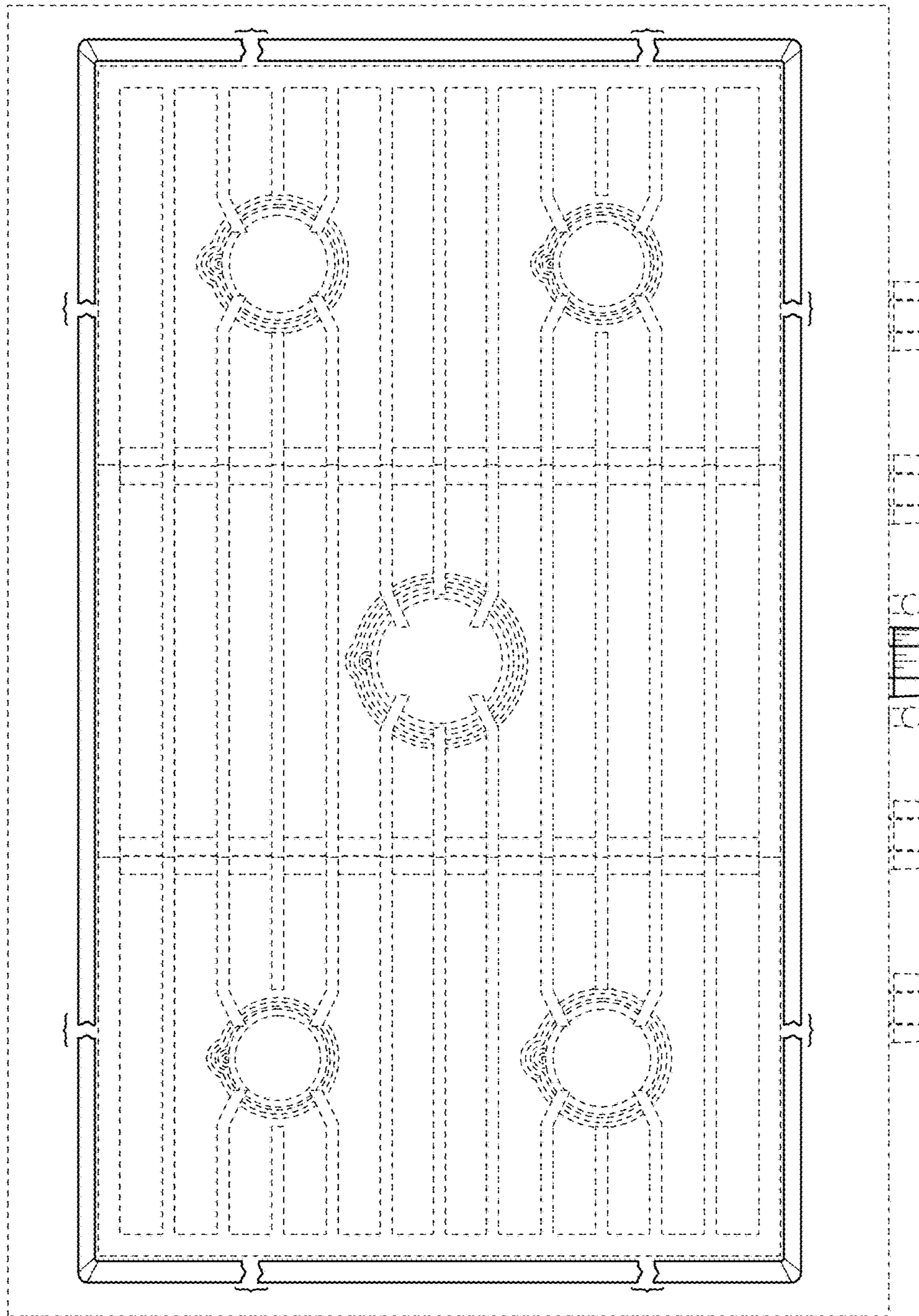


FIG. 3

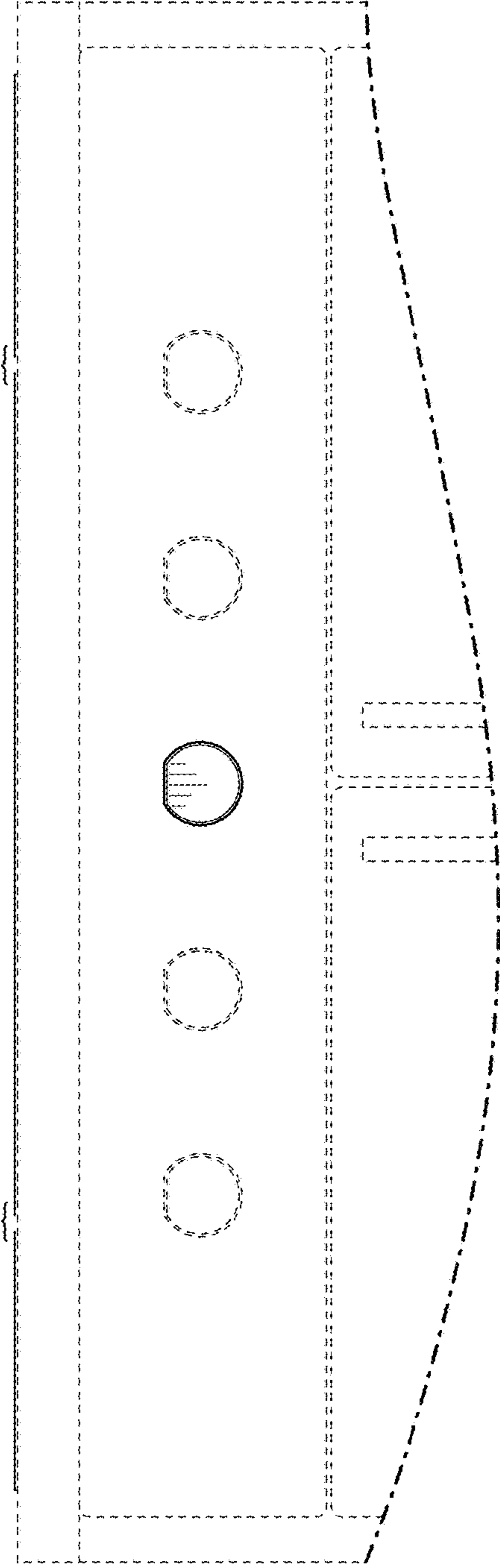


FIG. 4

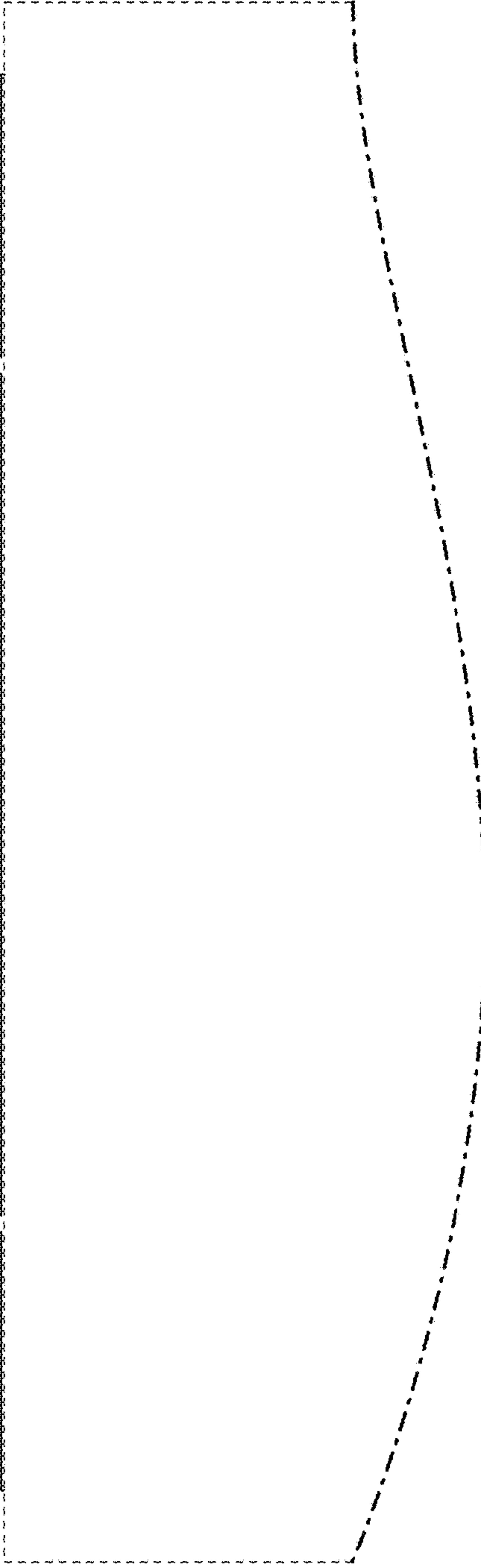


FIG. 5

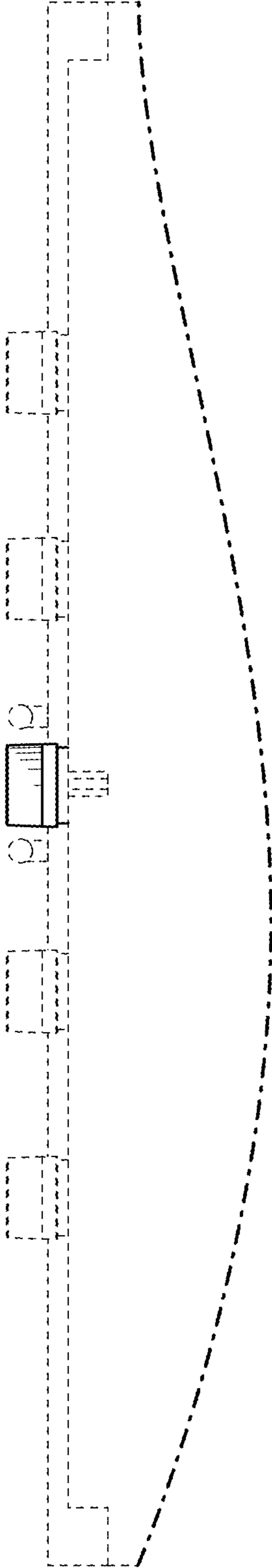


FIG. 6

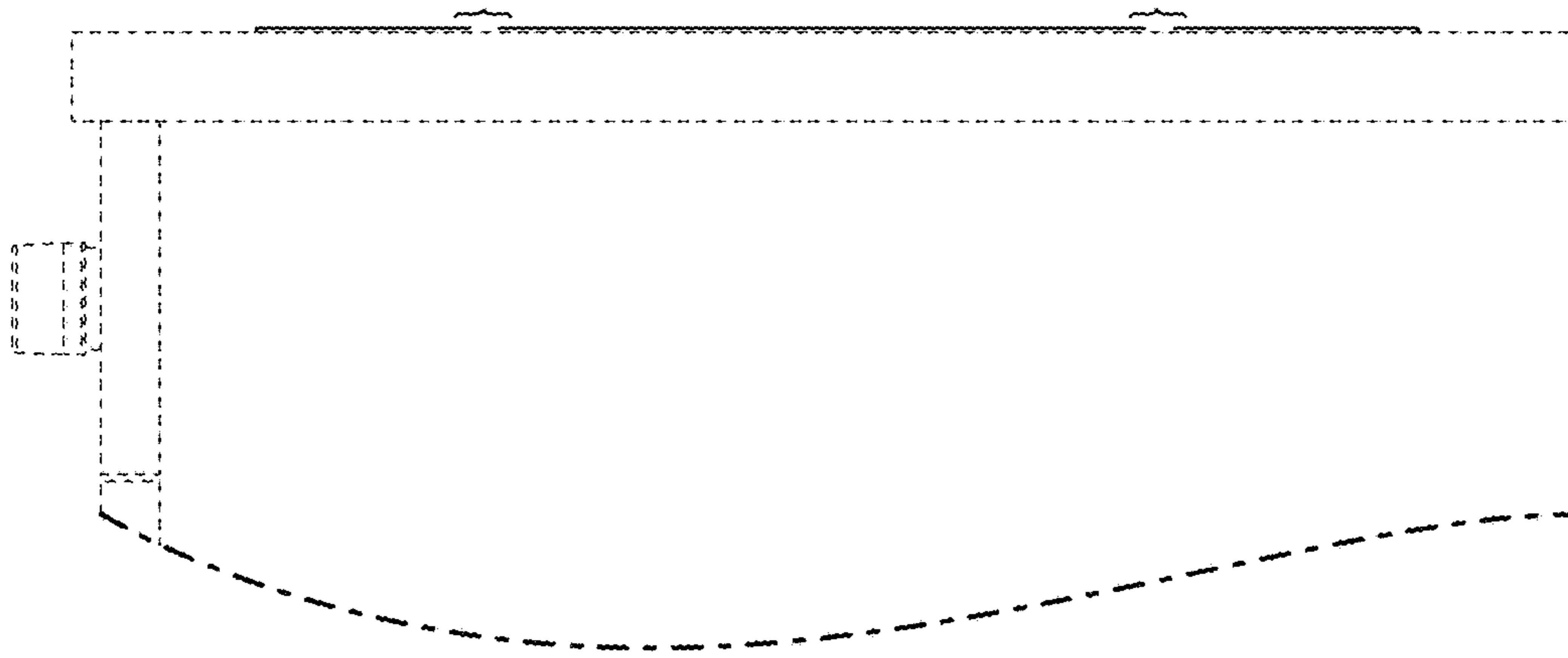


FIG. 7

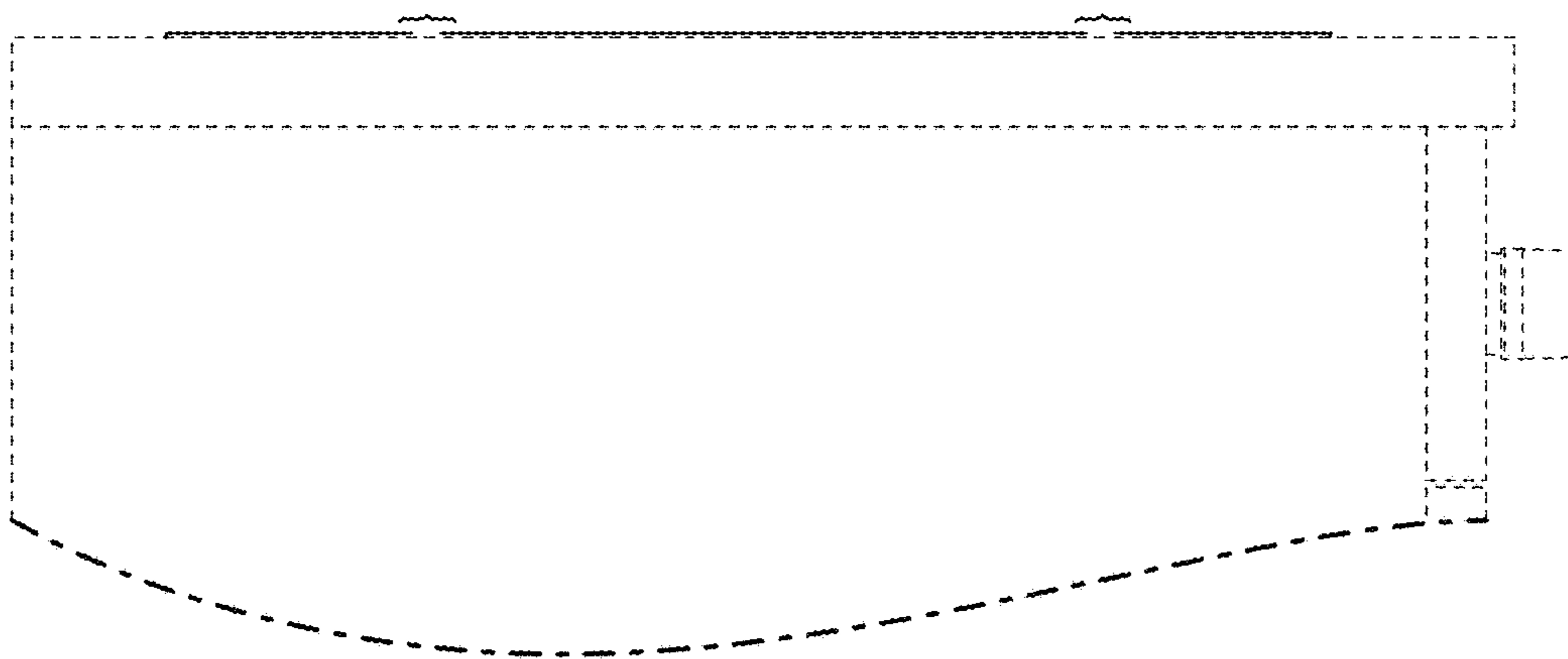


FIG. 8



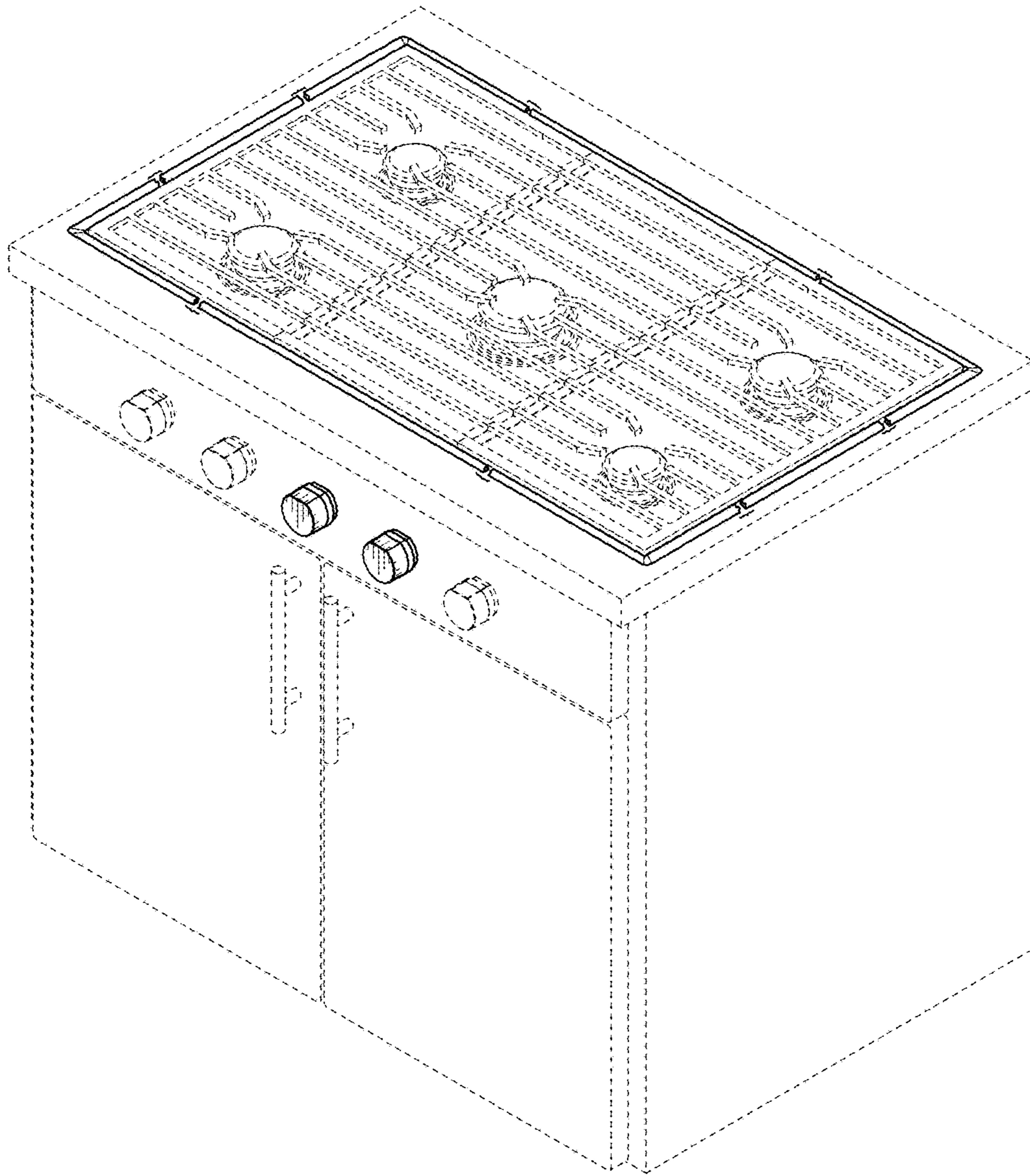


FIG. 9

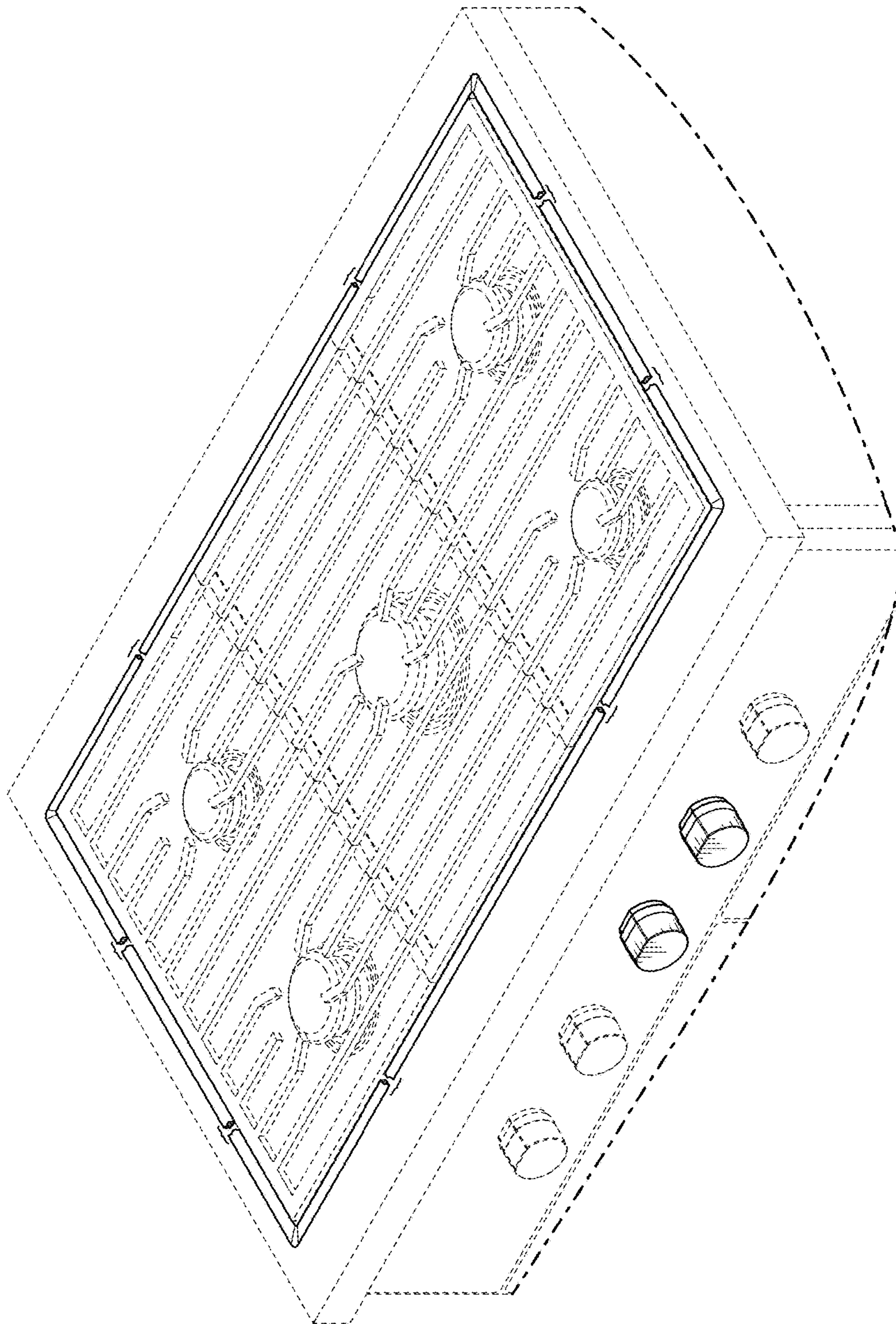


FIG. 10

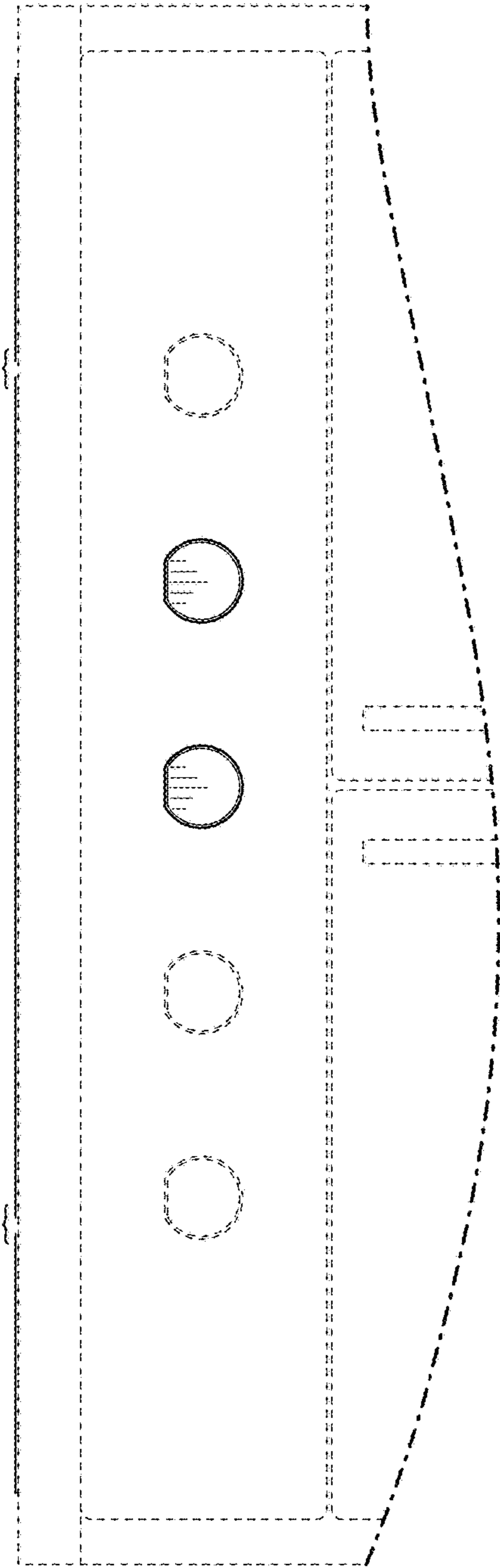


FIG. 11

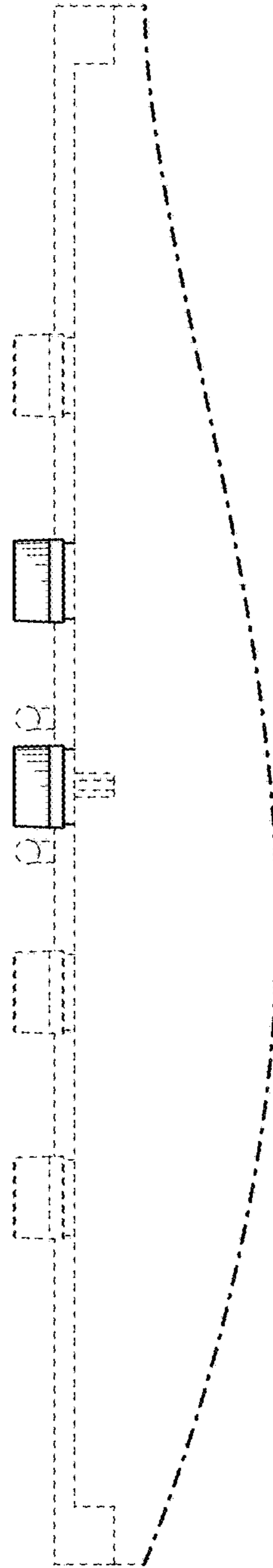


FIG. 12

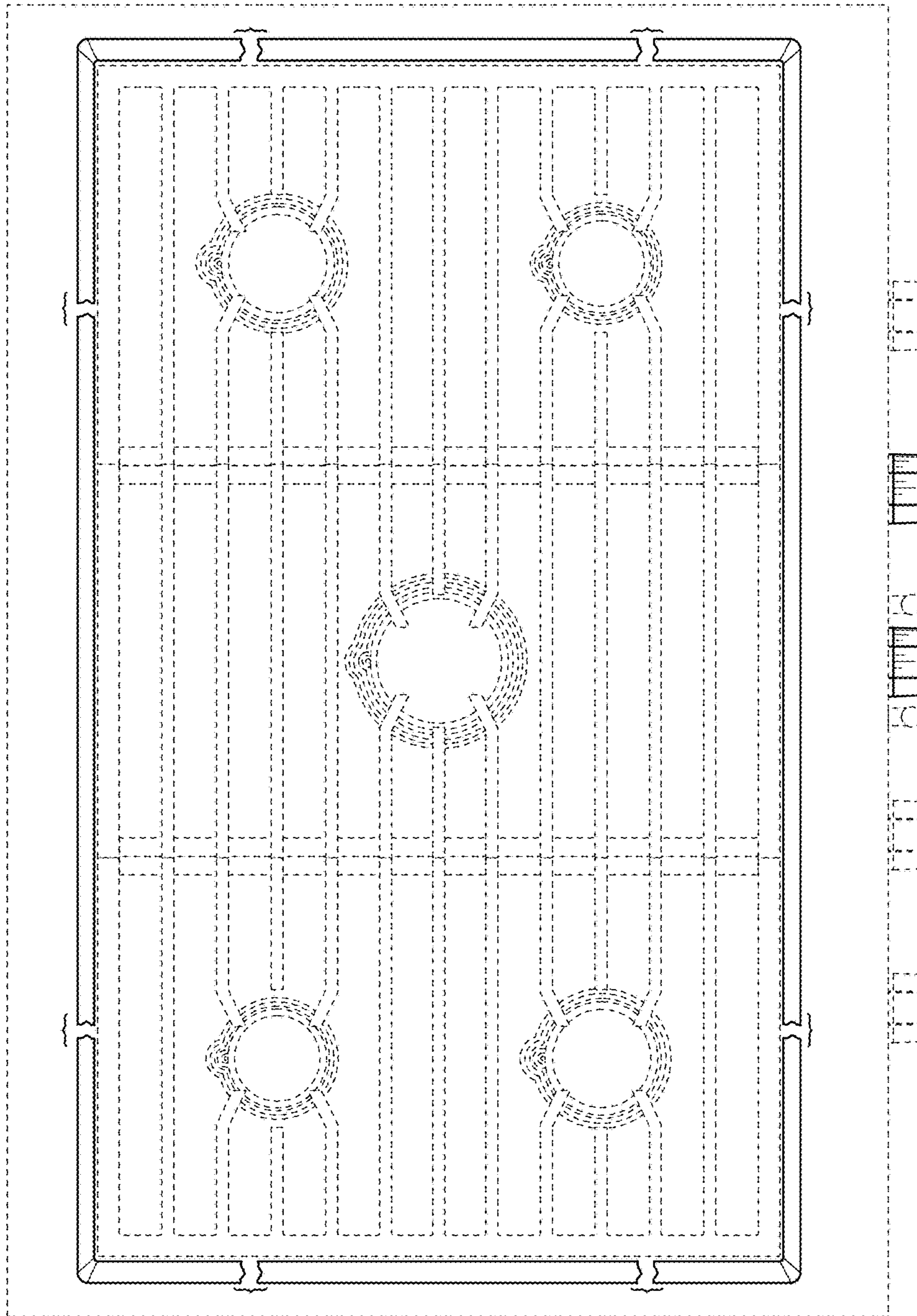


FIG. 13

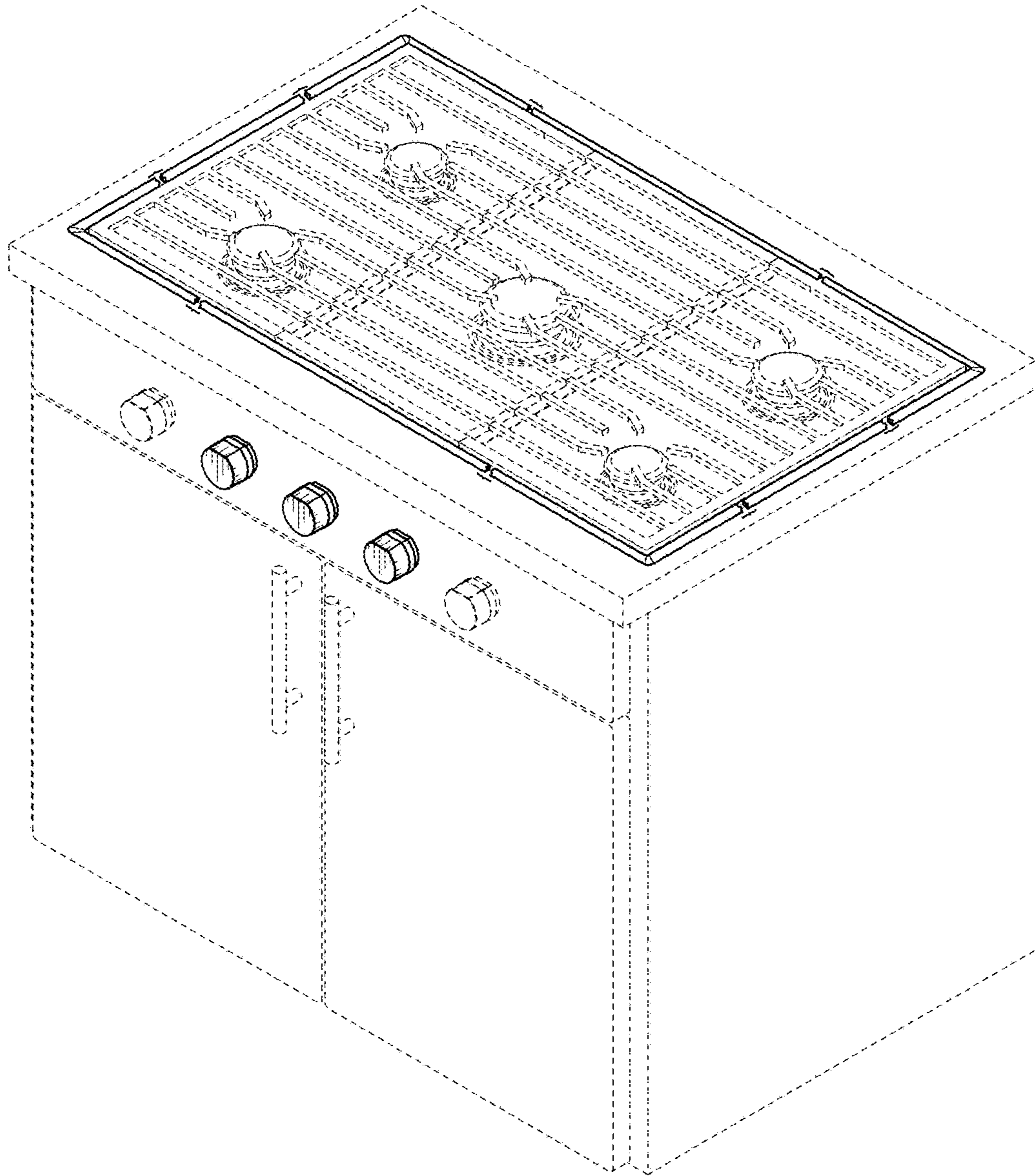


FIG. 14

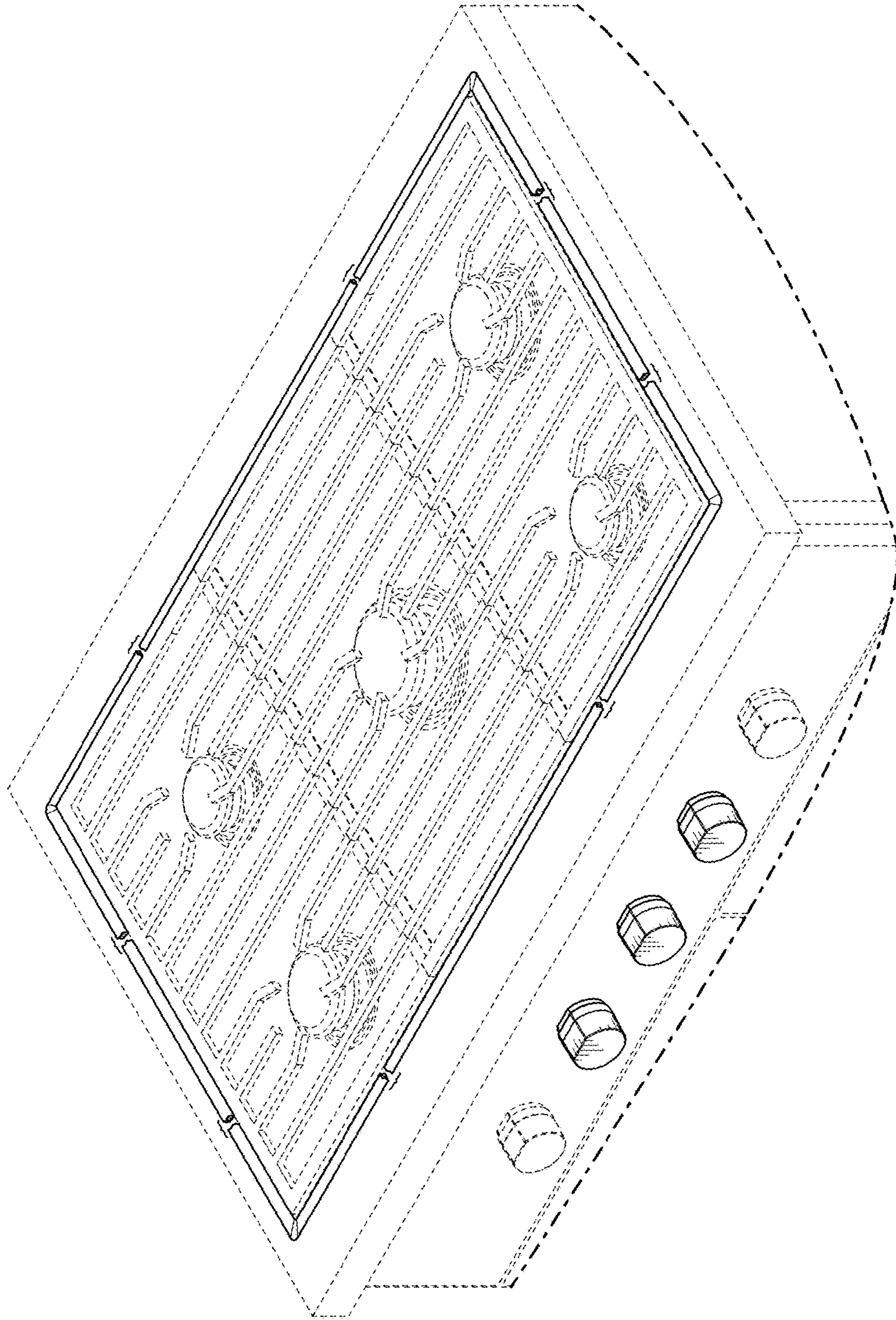


FIG. 15

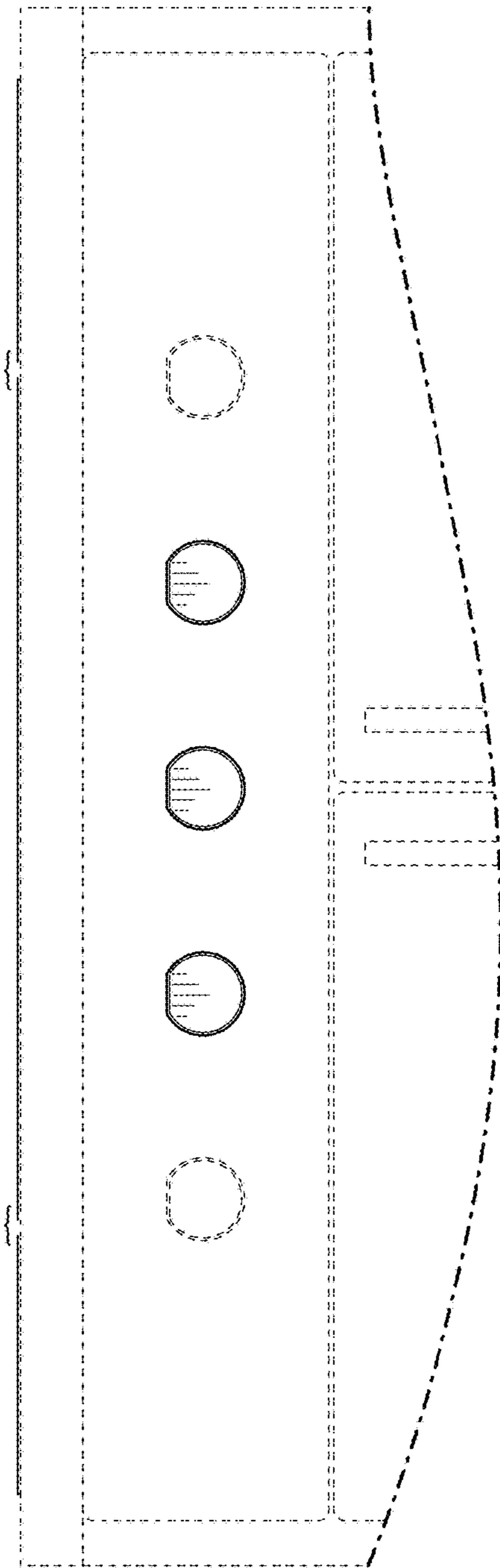


FIG. 16

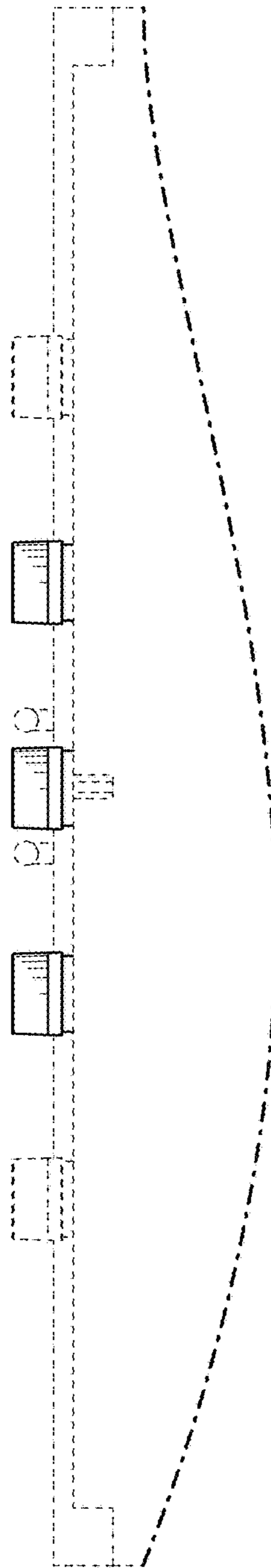


FIG. 17

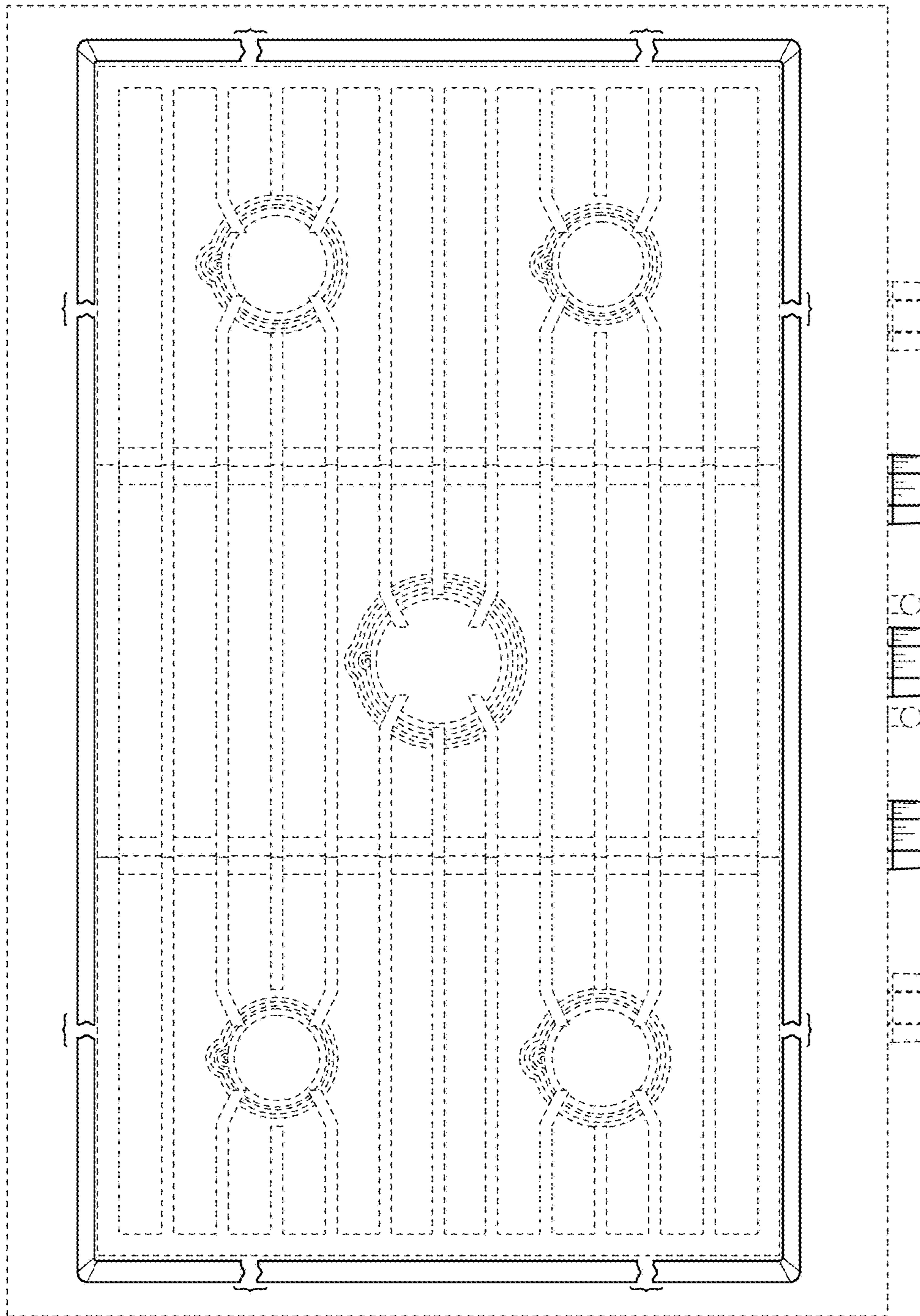


FIG. 18



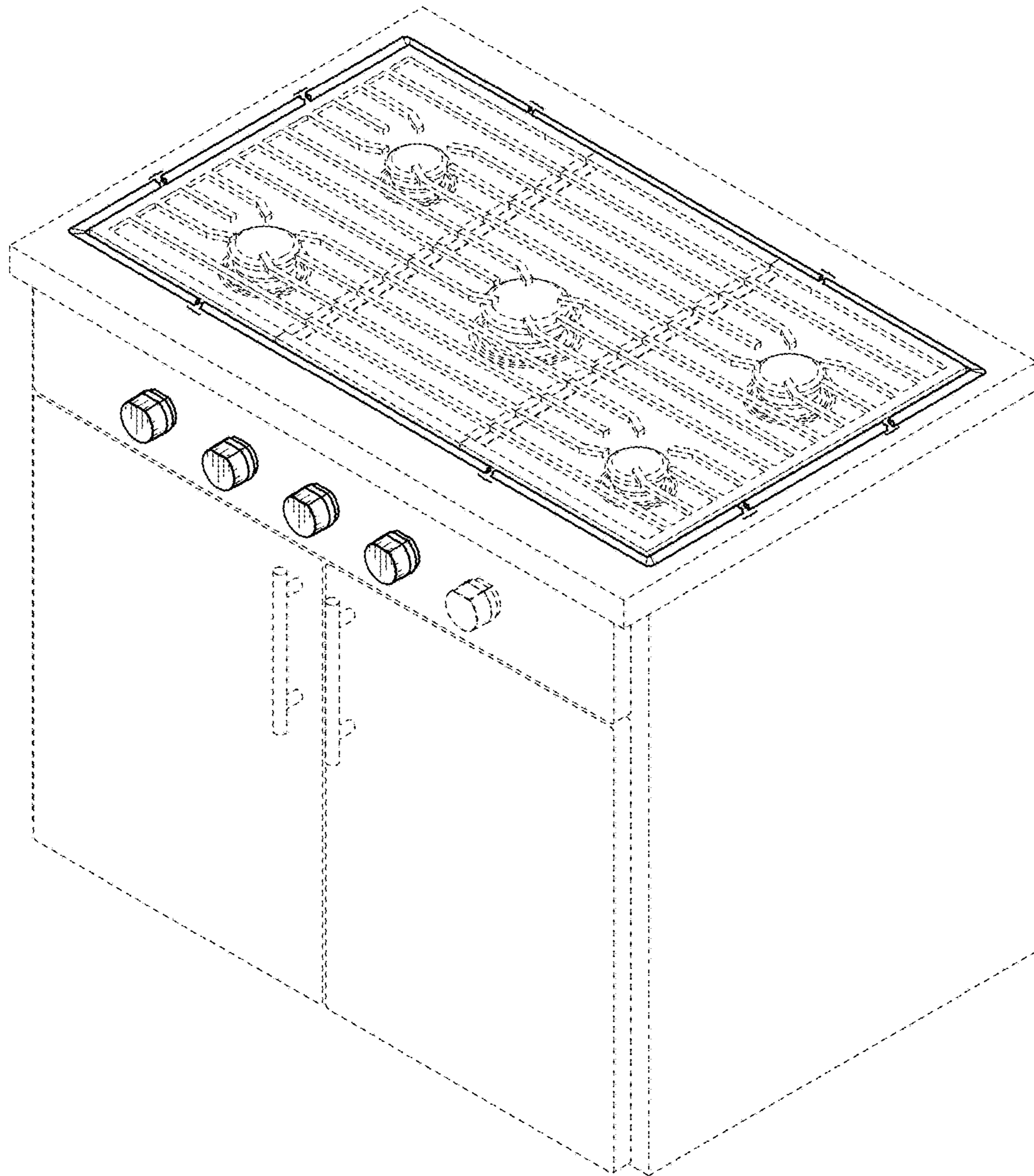


FIG. 19

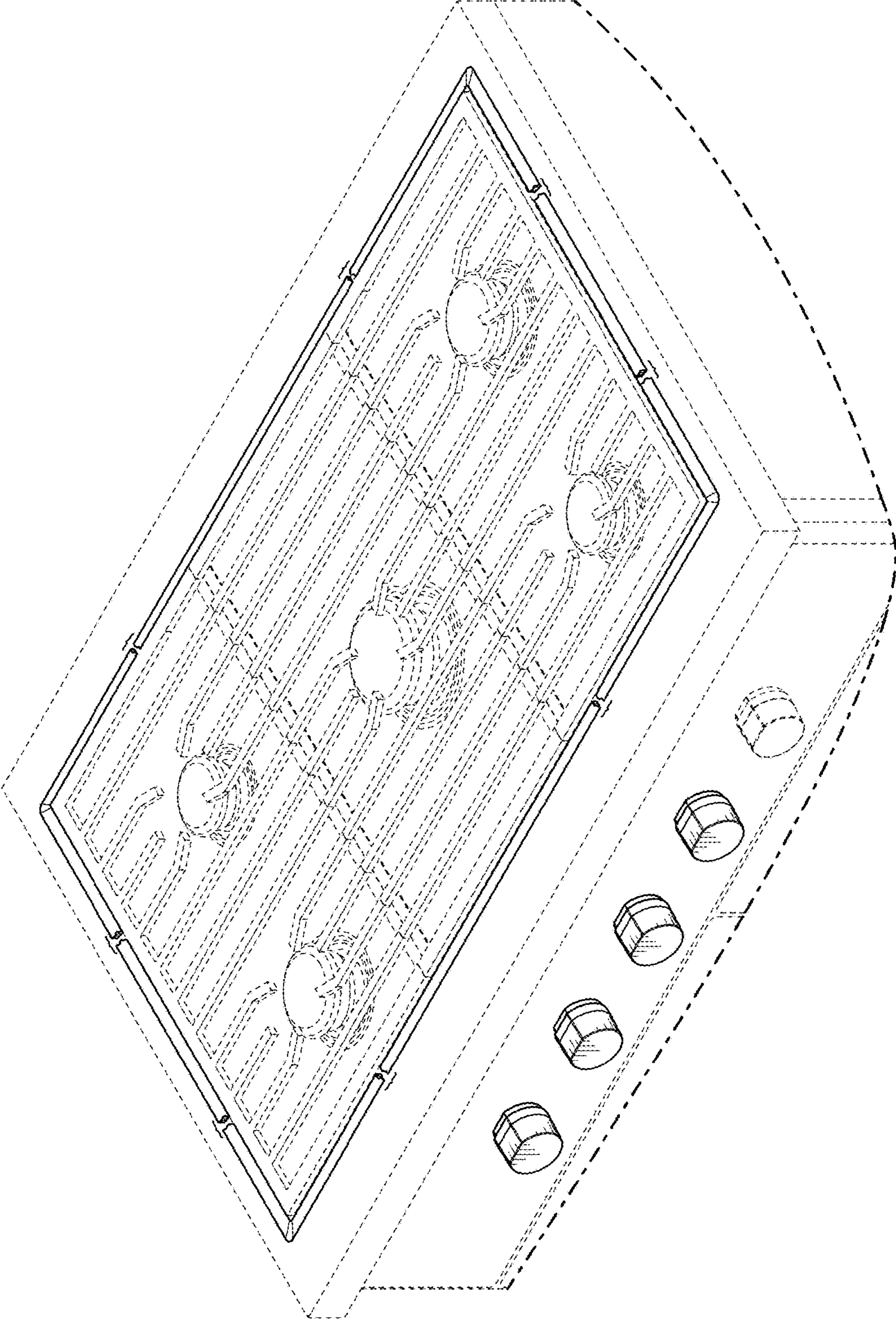


FIG. 20

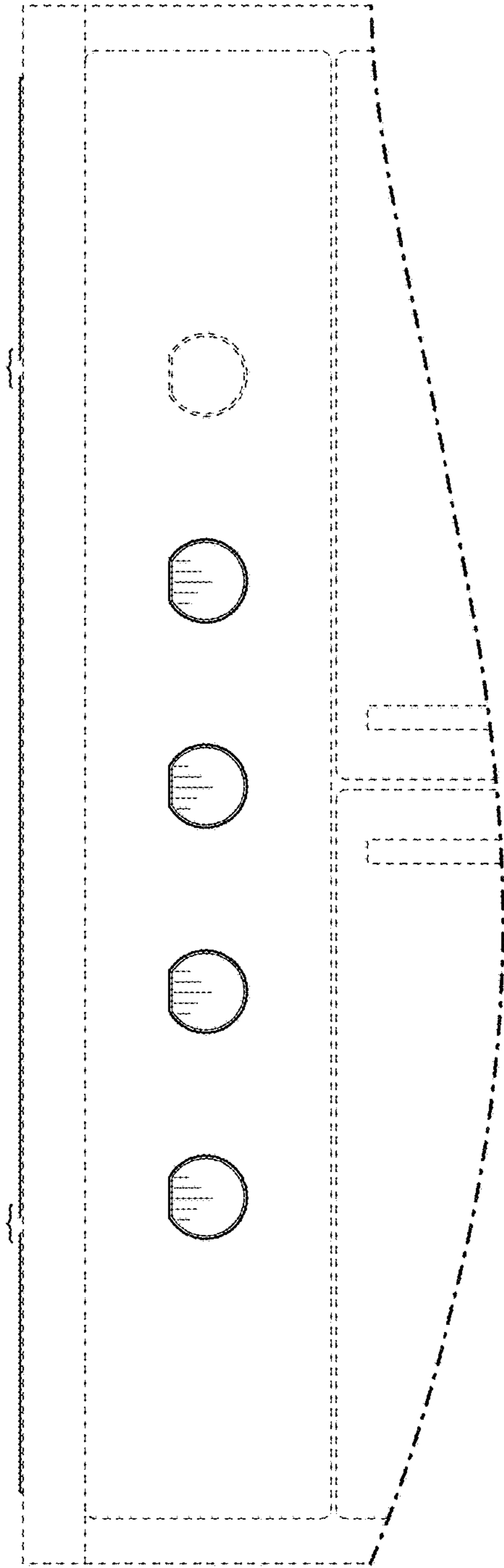


FIG. 21

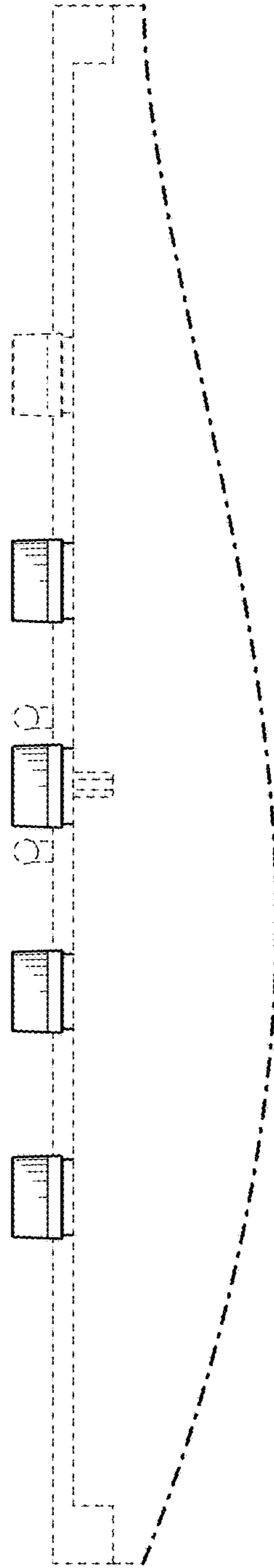


FIG. 22

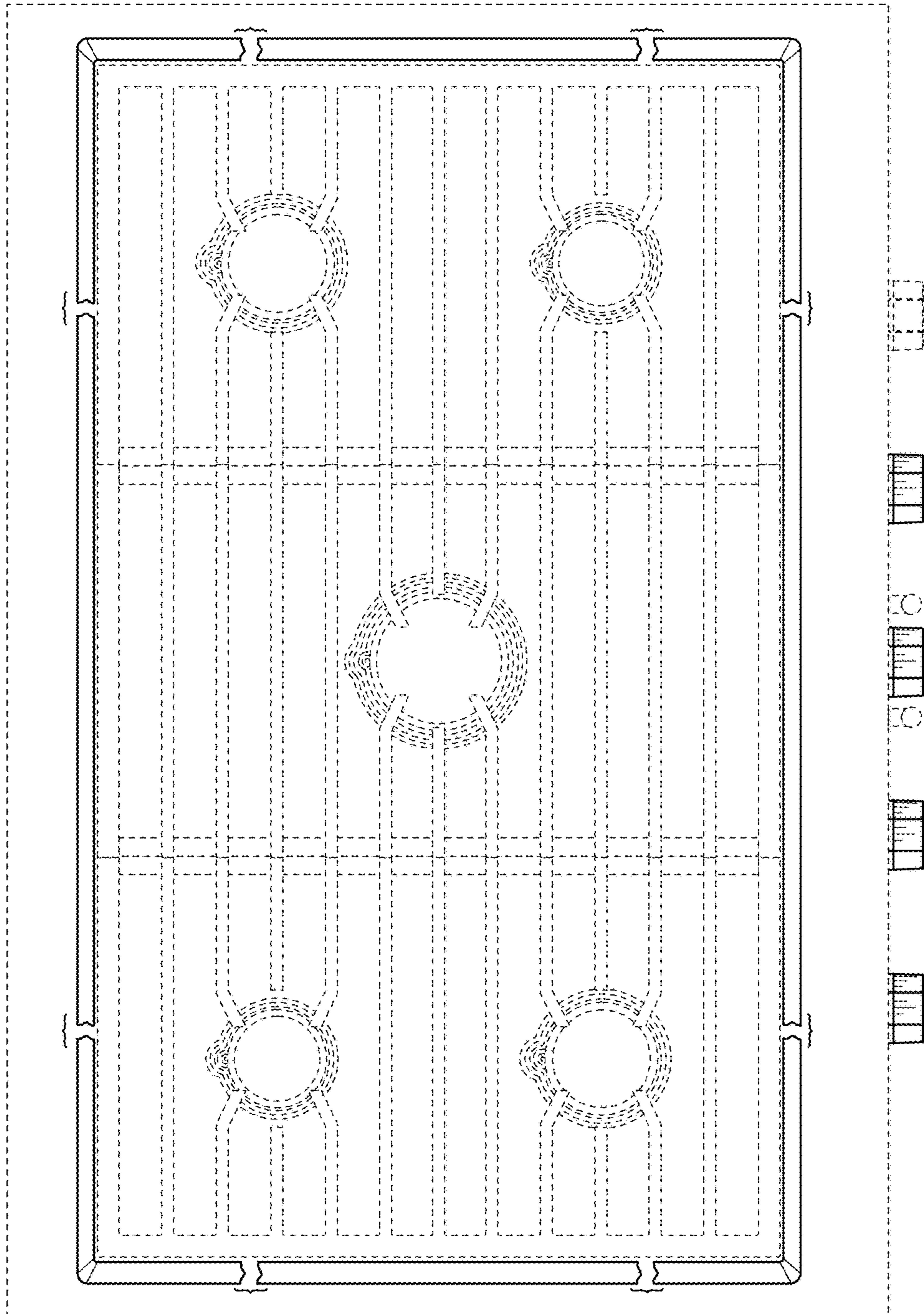


FIG. 23

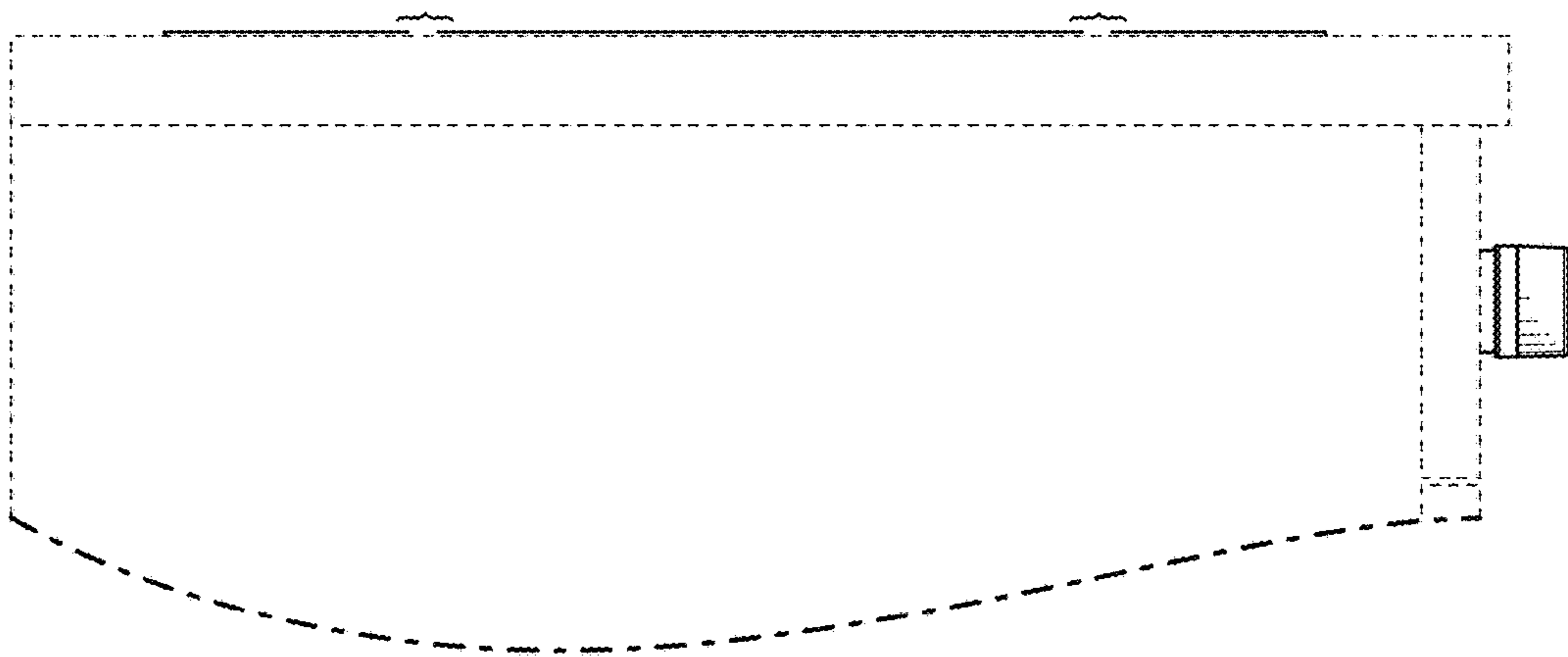


FIG. 24

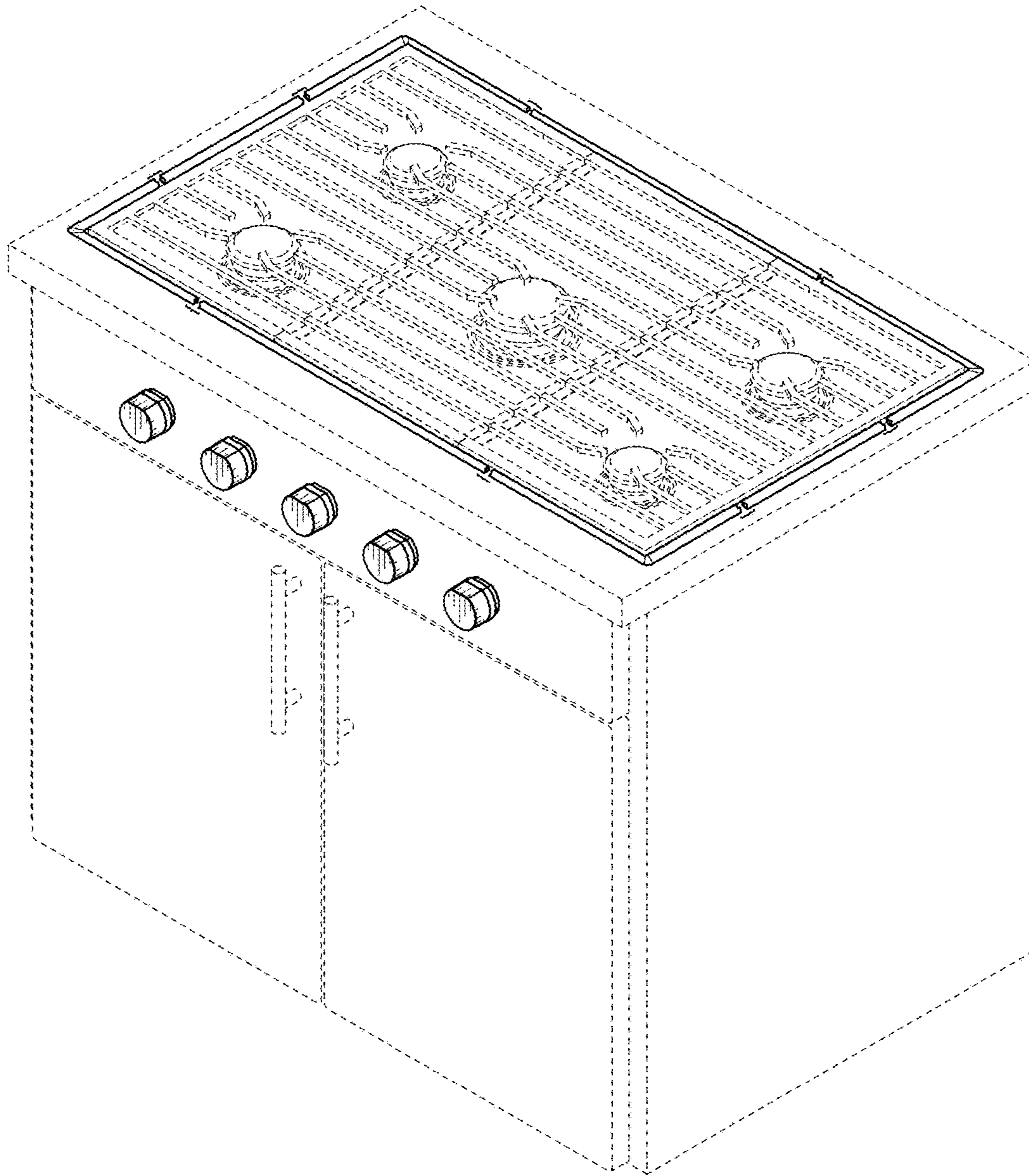


FIG. 25

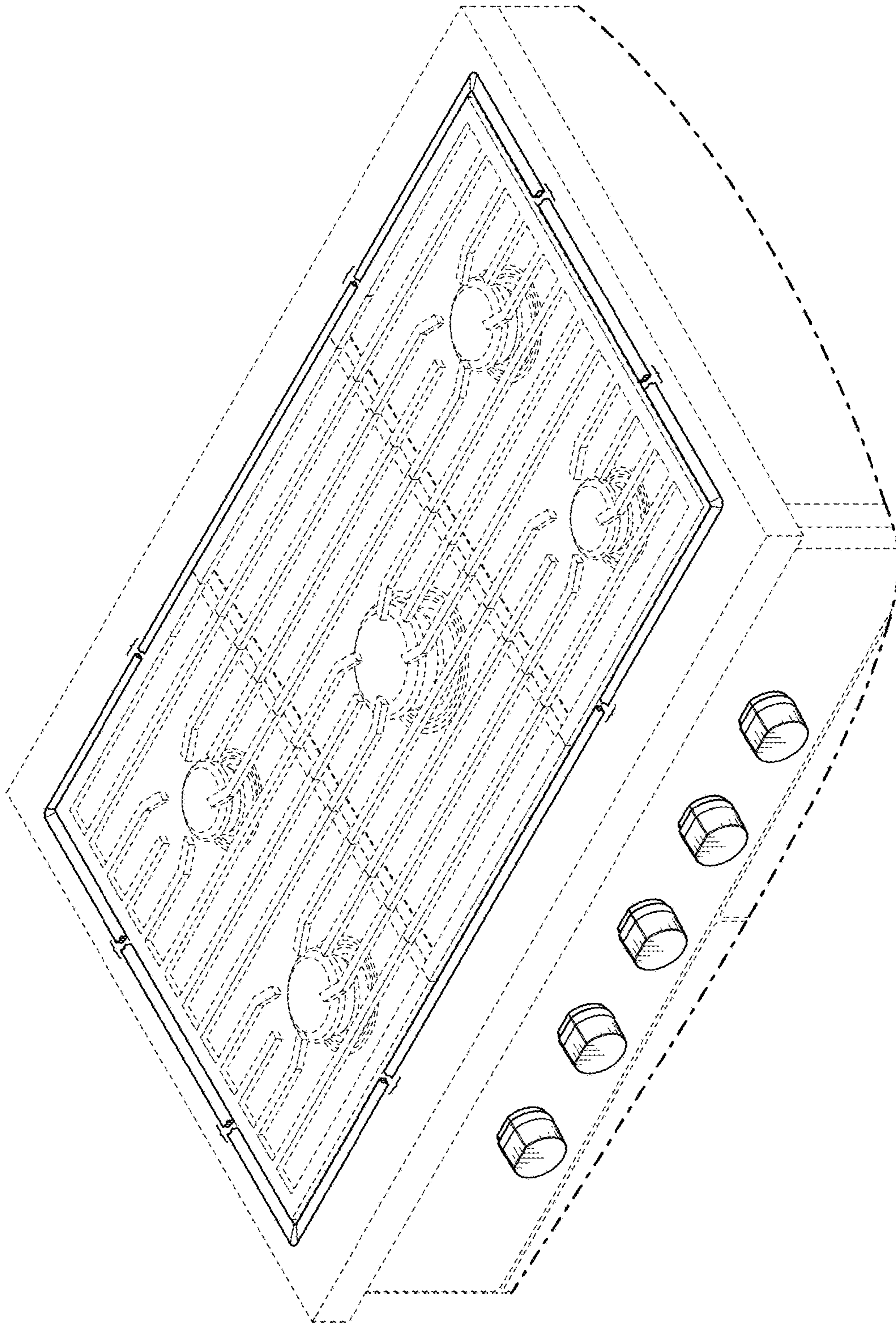


FIG. 26

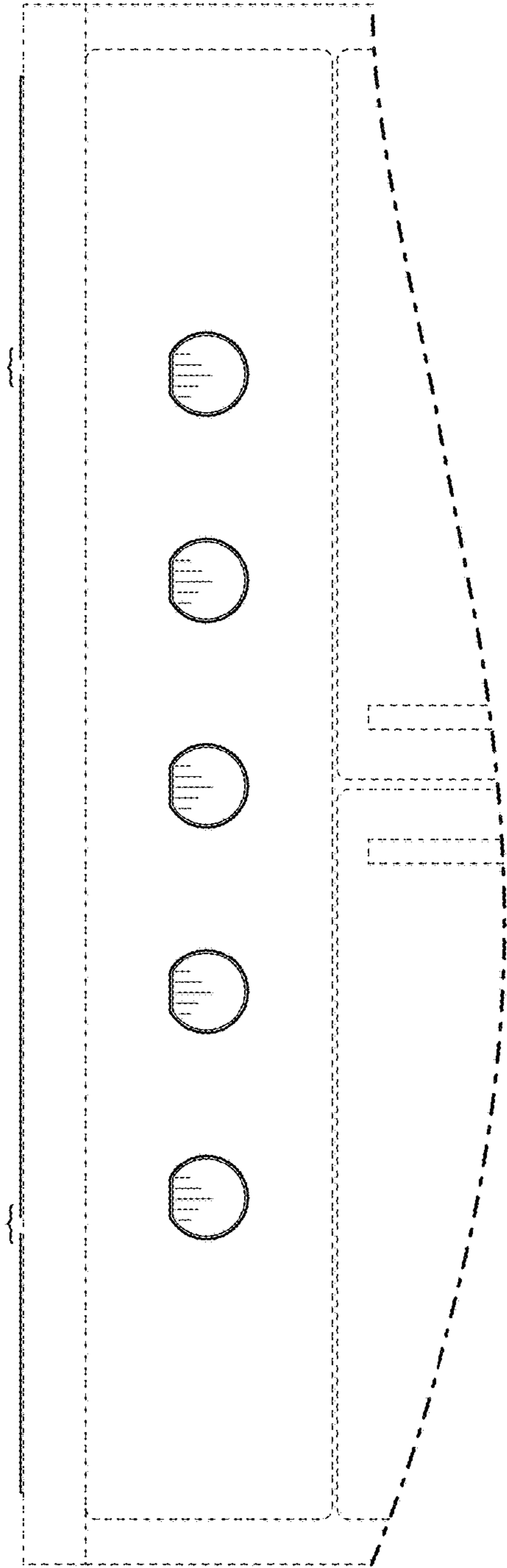


FIG. 27

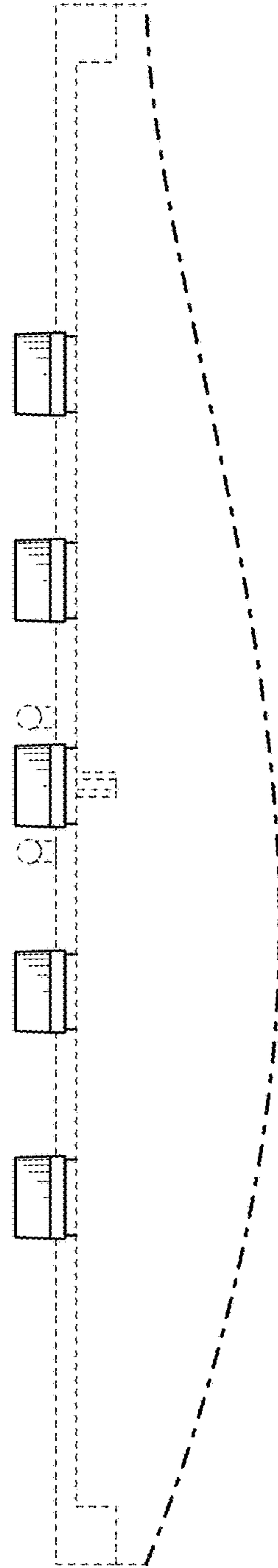


FIG. 28



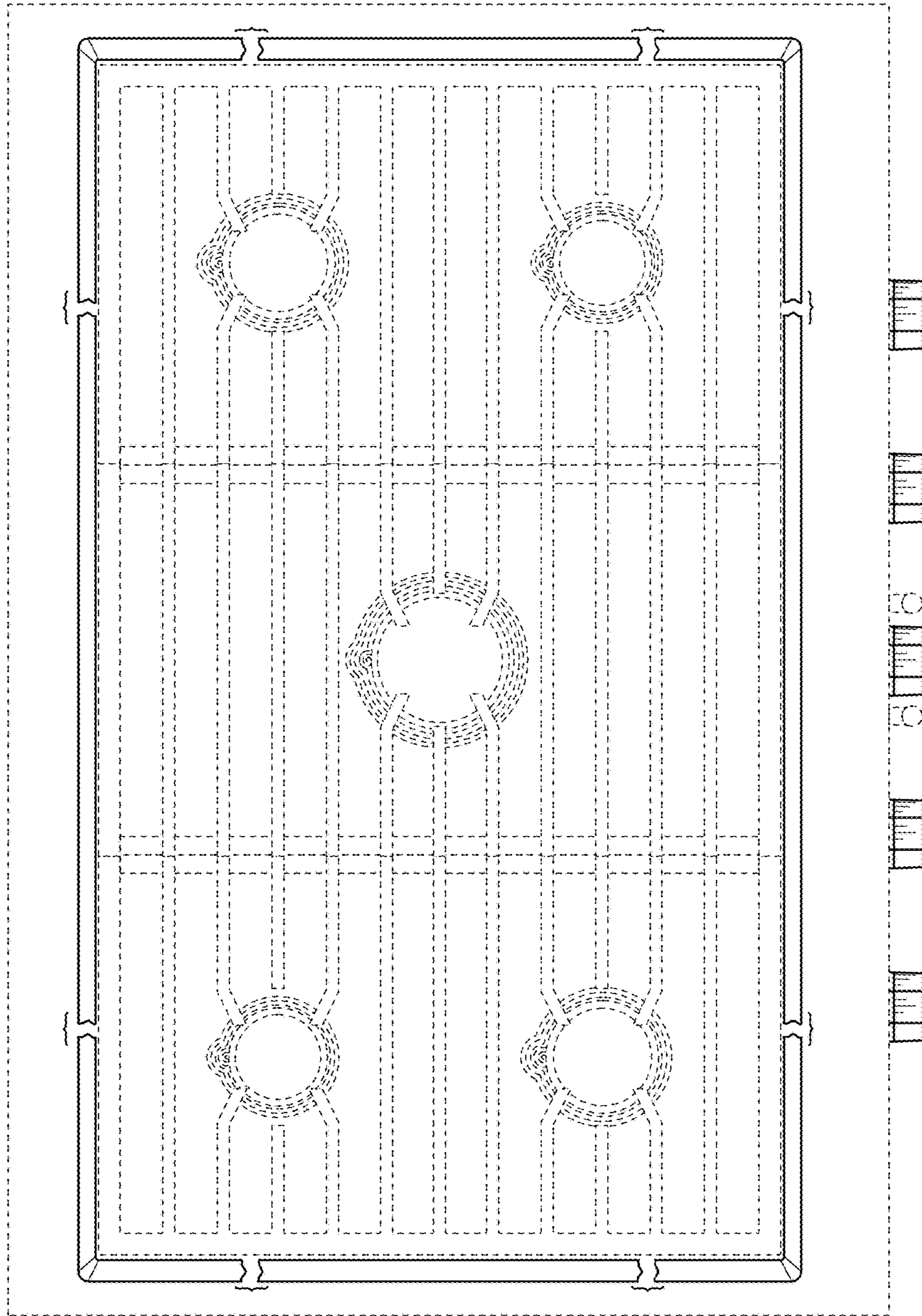


FIG. 29

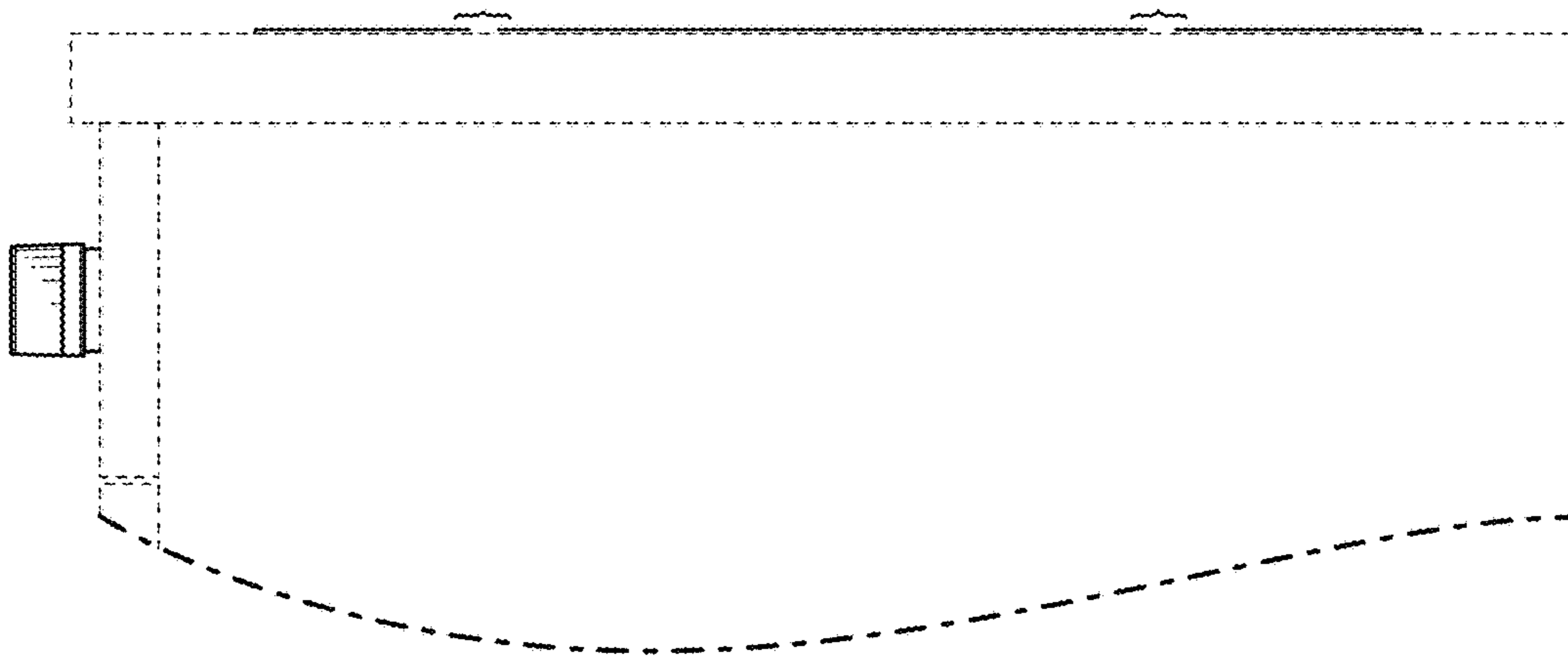


FIG. 30

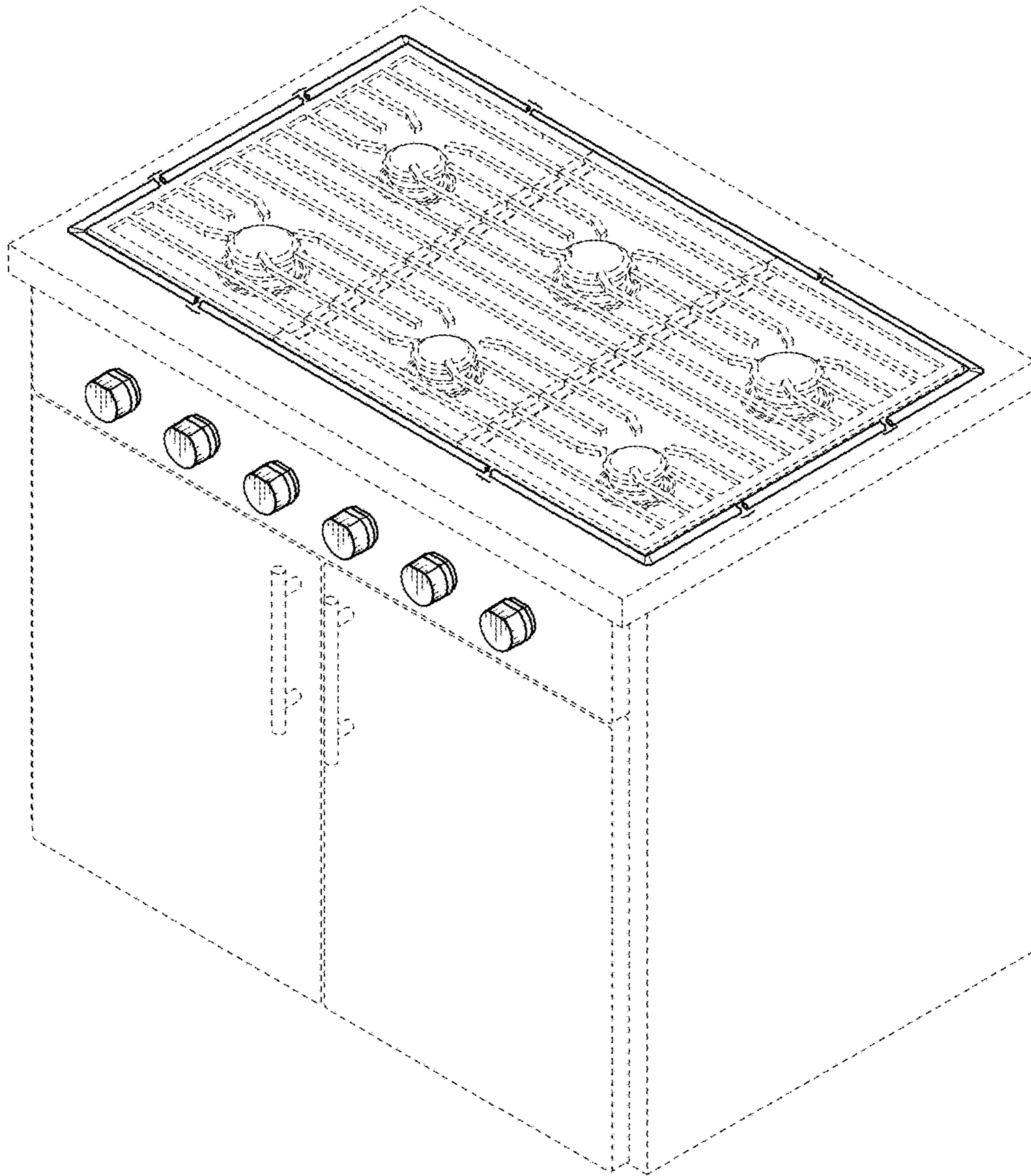


FIG. 31

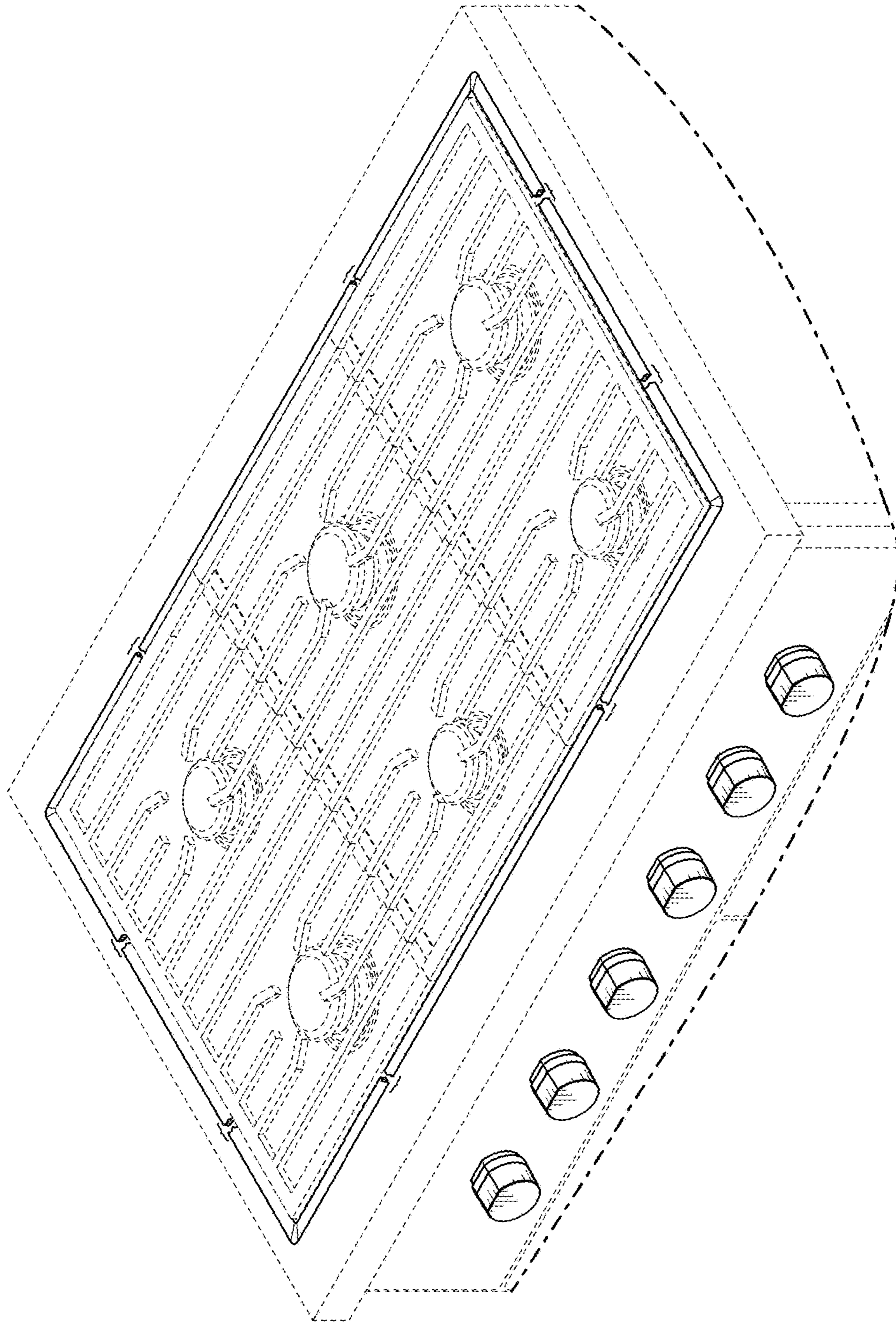


FIG. 32

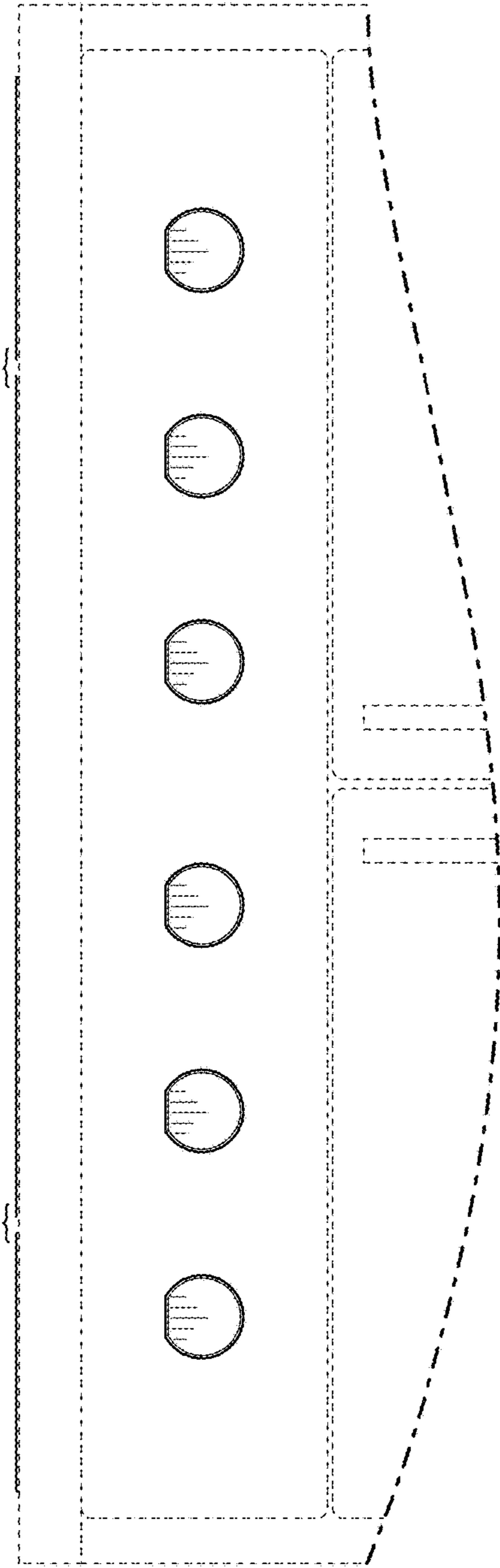


FIG. 33

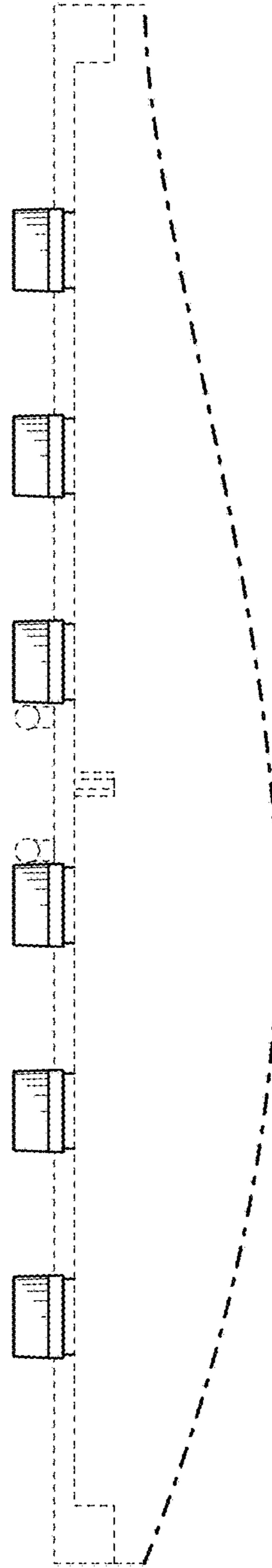


FIG. 34

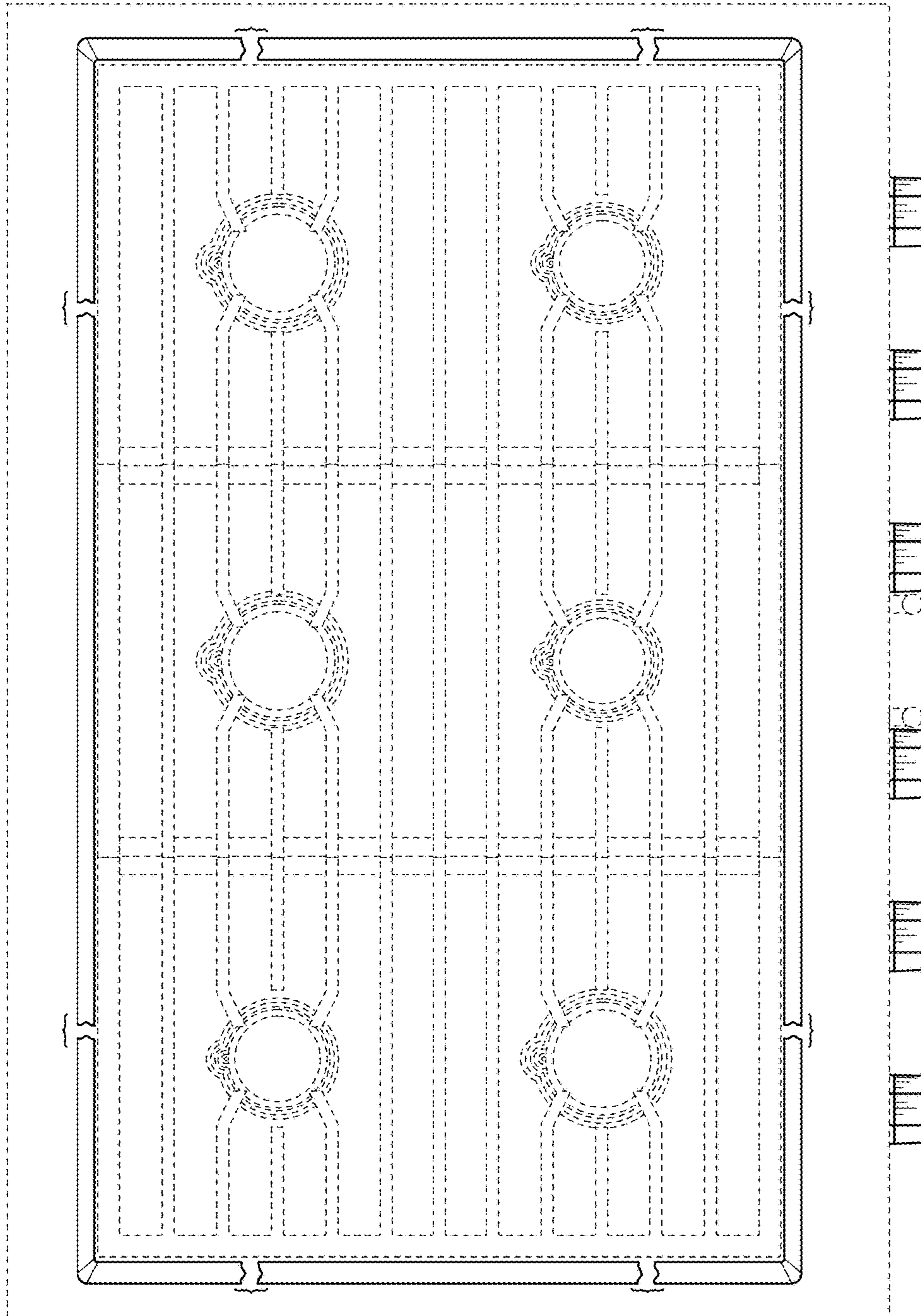


FIG. 35