



US00D849477S

(12) **United States Design Patent** (10) **Patent No.:** **US D849,477 S**
Chavez et al. (45) **Date of Patent:** **** May 28, 2019**

- (54) **RANGE**
- (71) Applicants: **BSH Home Appliances Corporation**, Irvine, CA (US); **BSH Hausgeräte GmbH**, Munich (DE)
- (72) Inventors: **David Chavez**, San Francisco, CA (US); **Graham Sadtler**, Huntington Beach, CA (US)
- (73) Assignees: **BSH Home Appliances Corporation**, Irvine, CA (US); **BSH Hausgeräte GmbH**, Munich (DE)

D615,800 S *	5/2010	Grey	D7/340
D616,695 S *	6/2010	Grey	D7/340
D617,133 S *	6/2010	Grey	D7/340
D656,776 S *	4/2012	Funnell, II	D7/340
D668,105 S *	10/2012	Funnell, II	D7/405
D669,728 S *	10/2012	Funnell, II	D7/340
D669,729 S *	10/2012	Funnell, II	D7/340
D682,602 S *	5/2013	Funnell, II	D7/340
D682,603 S *	5/2013	Funnell, II	D7/340
D699,503 S *	2/2014	Funnell, II	D7/340
D701,074 S *	3/2014	Funnell, II	D7/340
D721,917 S *	2/2015	Funnell, II	D7/405
D721,919 S *	2/2015	Funnell, II	D7/406

(Continued)

(**) Term: **15 Years**

(21) Appl. No.: **29/640,330**

(22) Filed: **Mar. 14, 2018**

Related U.S. Application Data

(62) Division of application No. 29/596,374, filed on Mar. 8, 2017.

(51) **LOC (11) Cl.** **07-02**

(52) **U.S. Cl.**
USPC **D7/405**

(58) **Field of Classification Search**
USPC D7/402, 405, 406, 323, 339-340, D7/346-349, 350.1, 350.2, 350.3, 350.4, D7/351, 332, 407, 354, 334; D8/382, D8/339, 377; D25/124, 126, 119
CPC .. H05B 1/0261; H05B 1/0263; H05B 1/0266; F24C 3/008; F24C 5/00; F24C 7/00; F24C 15/024; F24C 15/02
See application file for complete search history.

(56) **References Cited**

U.S. PATENT DOCUMENTS

D609,966 S *	2/2010	Bengtson	D7/405
D615,344 S *	5/2010	Grey	D7/340

Primary Examiner — Sheryl Lane
Assistant Examiner — Nicole C Shiflet
(74) *Attorney, Agent, or Firm* — Michael E. Tschupp; Andre Pallapies; Brandon G. Braun

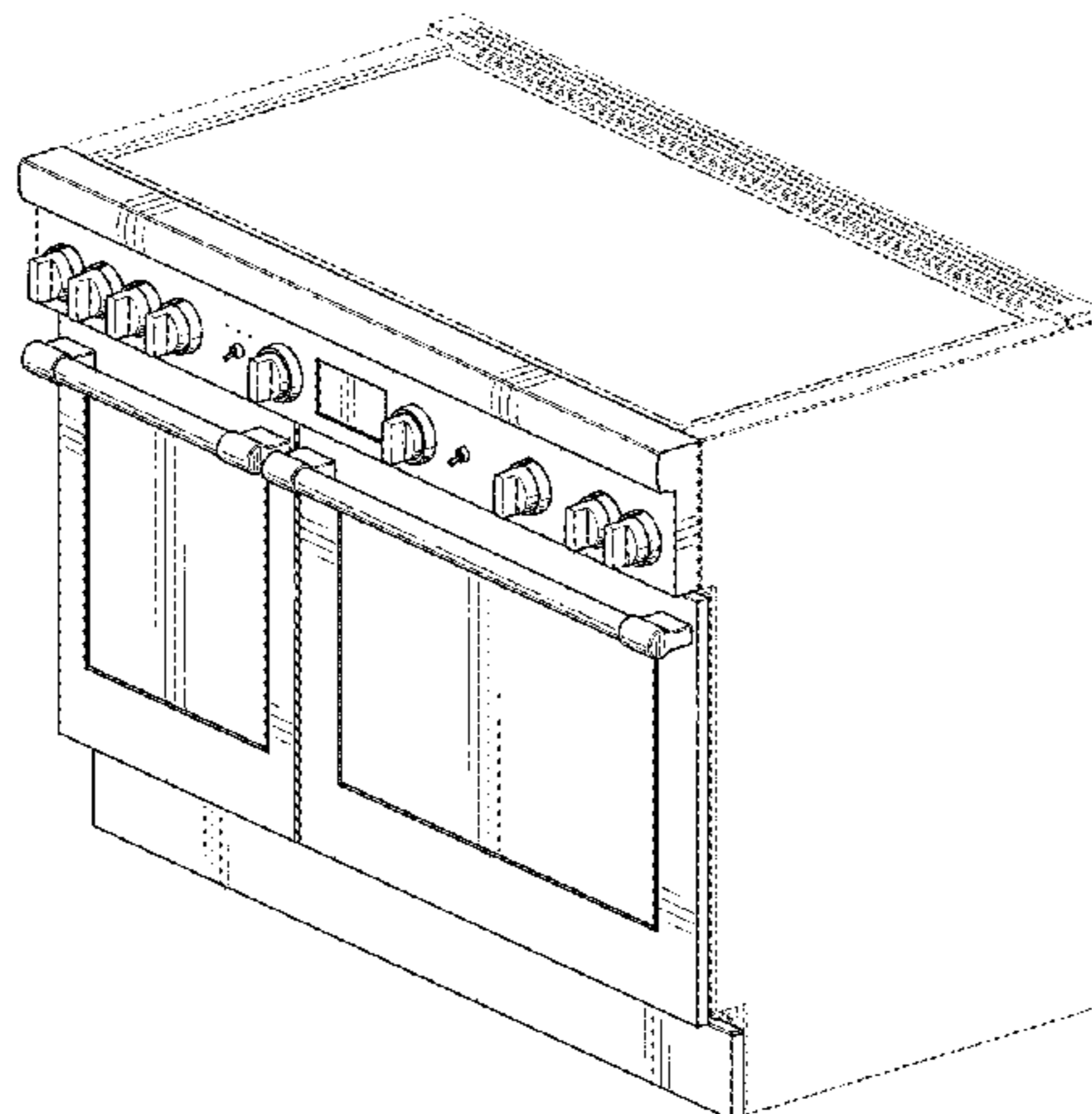
(57) **CLAIM**

We claim the ornamental design for a range, as shown and described.

DESCRIPTION

FIG. 1 is an isometric view a range, showing our new design;
FIG. 2 is a front elevational view of the range in FIG. 1;
FIG. 3 is a rear elevational view of the range in FIG. 1;
FIG. 4 is a left side elevational view of the range in FIG. 1;
FIG. 5 is a right side elevational view of the range in FIG. 1;
FIG. 6 is a top plan view of the range in FIG. 1; and,
FIG. 7 is a bottom plan view of the range in FIG. 1.
Broken lines are for illustrating unclaimed portions of the range and/or for illustrating an environment related to the claimed design; the broken lines form no part of the claimed design. The dash-dot line is for illustrating an unclaimed area of the range; the dash-dot line forms no part of the claimed design.

1 Claim, 7 Drawing Sheets



(56)

References Cited

U.S. PATENT DOCUMENTS

D742,688 S * 11/2015 Funnell, II D7/405
D750,432 S * 3/2016 Funnell, II D7/406
D760,024 S * 6/2016 Funnell, II D7/405
D763,616 S * 8/2016 Kim D7/339
D764,853 S * 8/2016 Kim D7/339
D790,273 S * 6/2017 Vergin D7/406
D798,100 S * 9/2017 Chavez D7/340
D798,648 S * 10/2017 Chavez D7/340
D808,705 S * 1/2018 Kim D7/340
D808,706 S * 1/2018 Kim D7/340
D808,707 S * 1/2018 Kim D7/340
D817,686 S * 5/2018 Chavez D7/340
9,958,166 B2 * 5/2018 Braden F24C 15/022
2013/0318874 A1 * 12/2013 DeLozier E06B 5/00
49/260
2013/0319393 A1 * 12/2013 Harward F24C 15/04
126/190
2016/0327283 A1 * 11/2016 Lee F24C 3/124

* cited by examiner

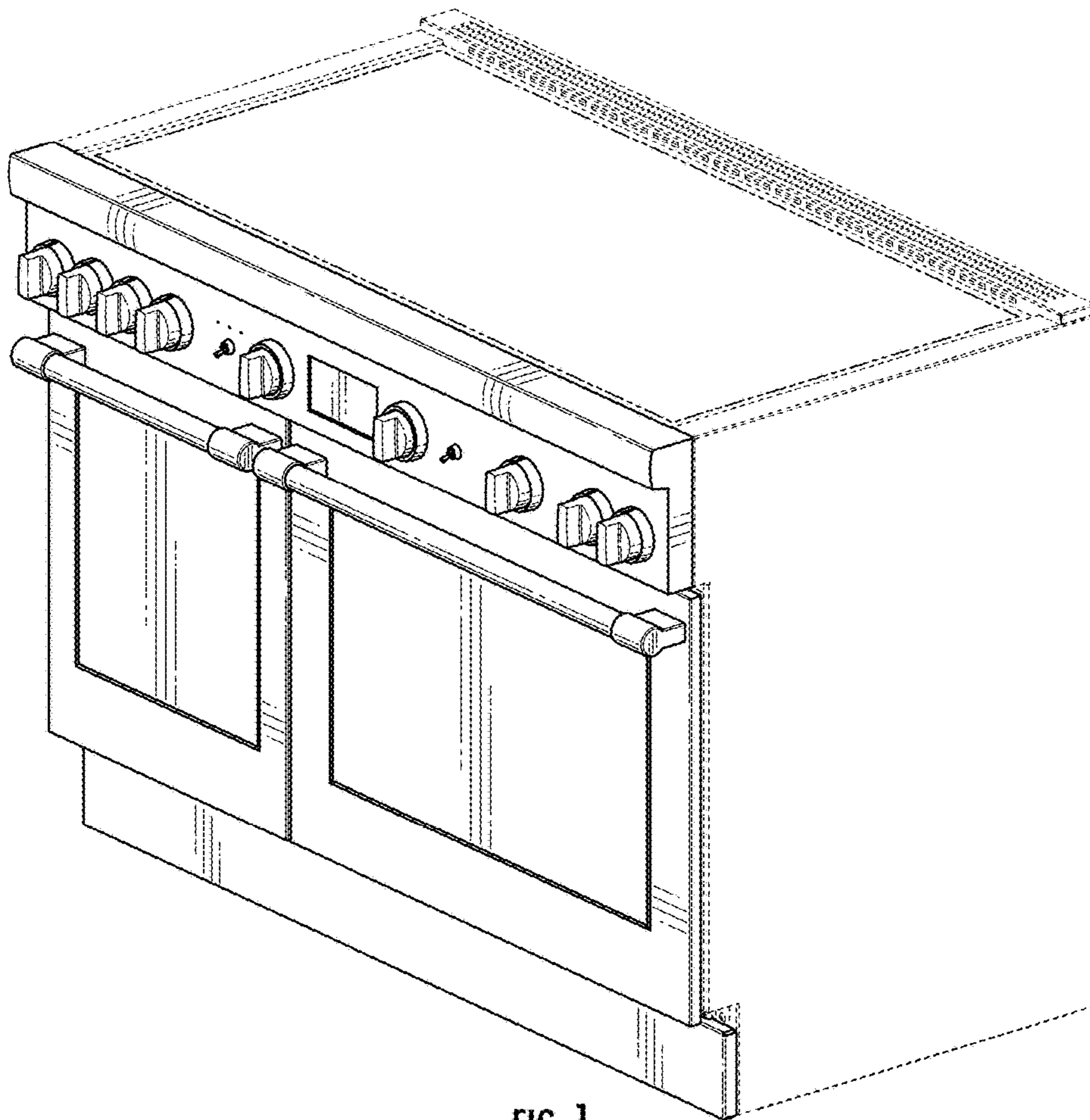


FIG. 1

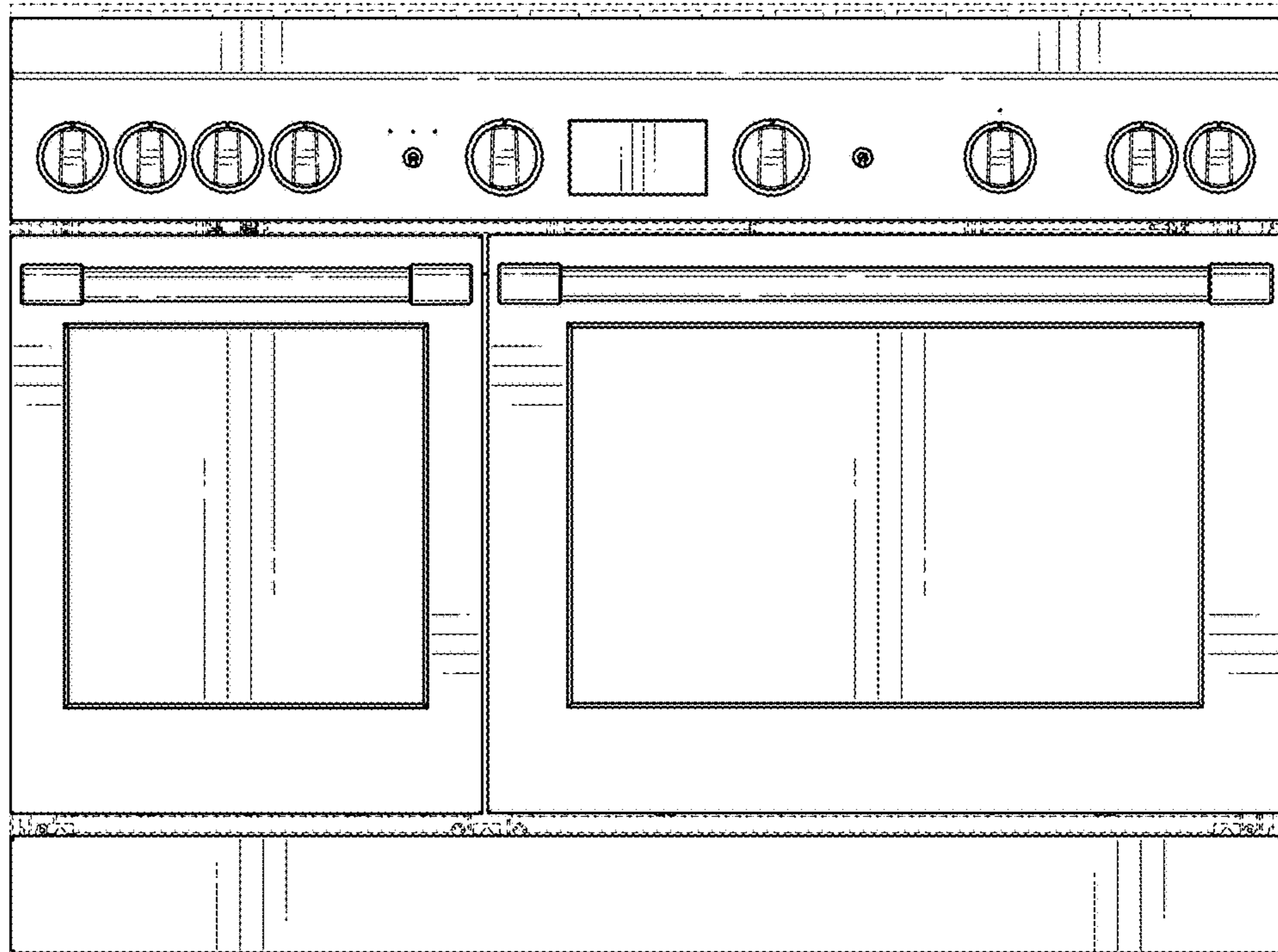


FIG. 2

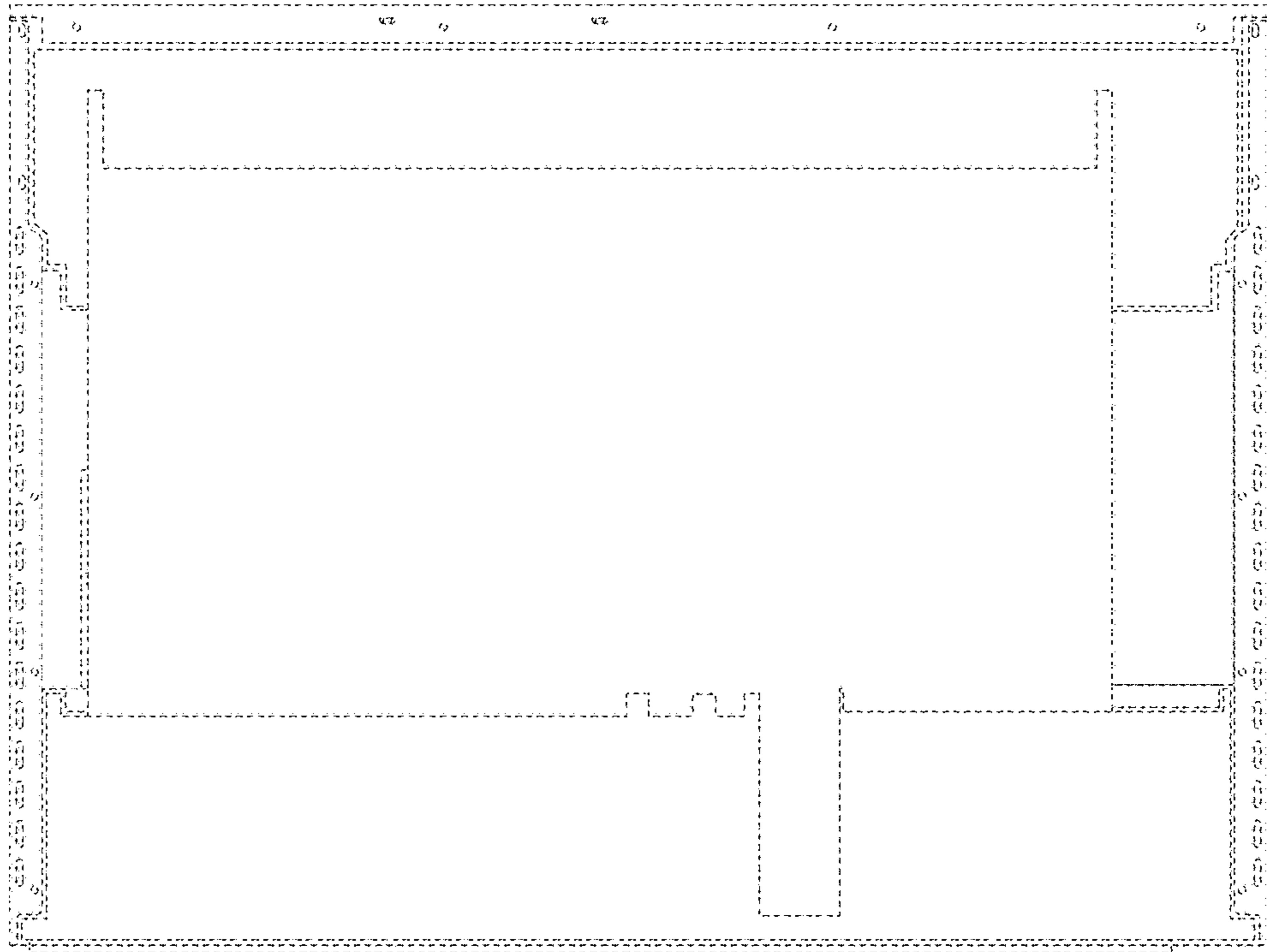


FIG. 3

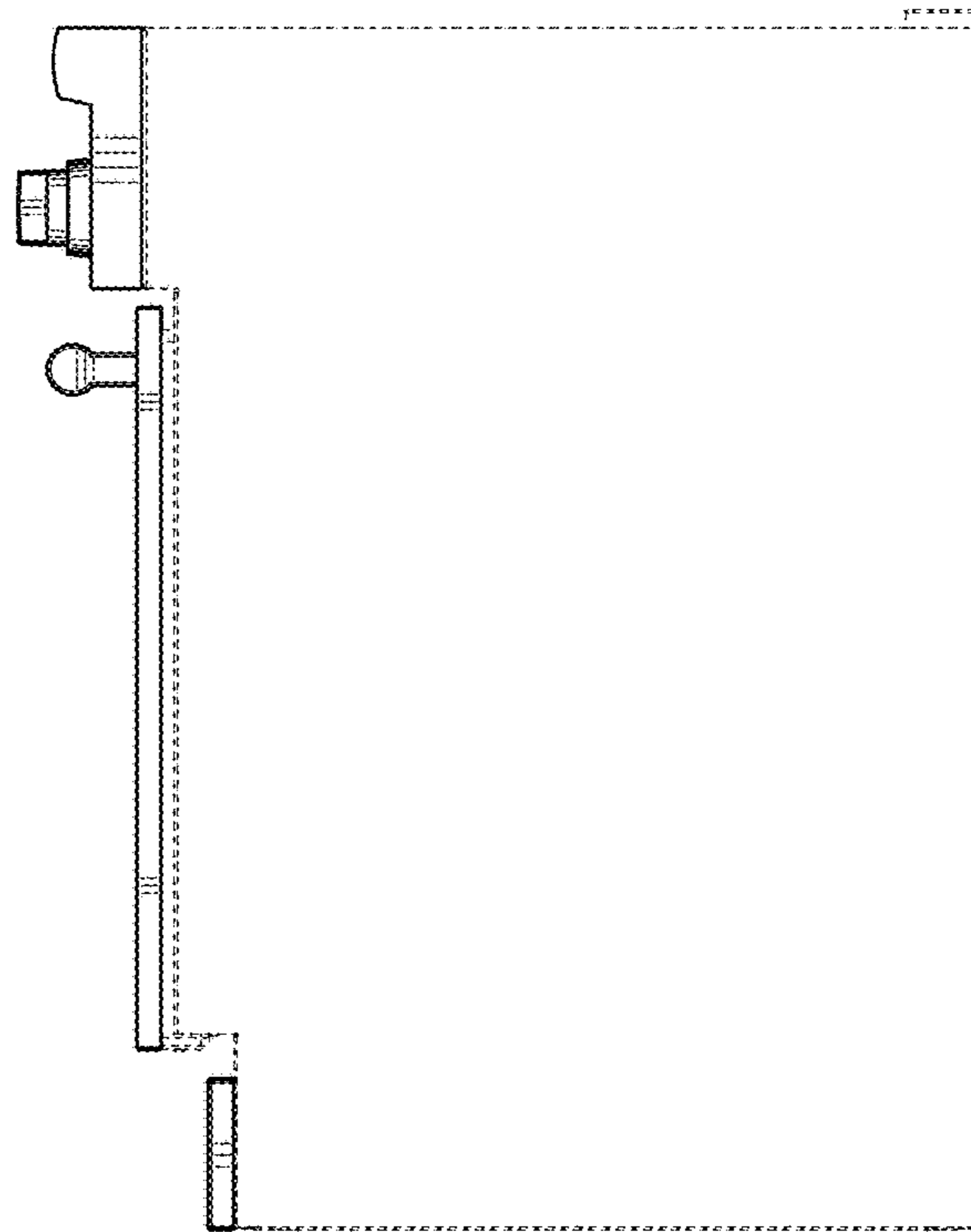


FIG. 4

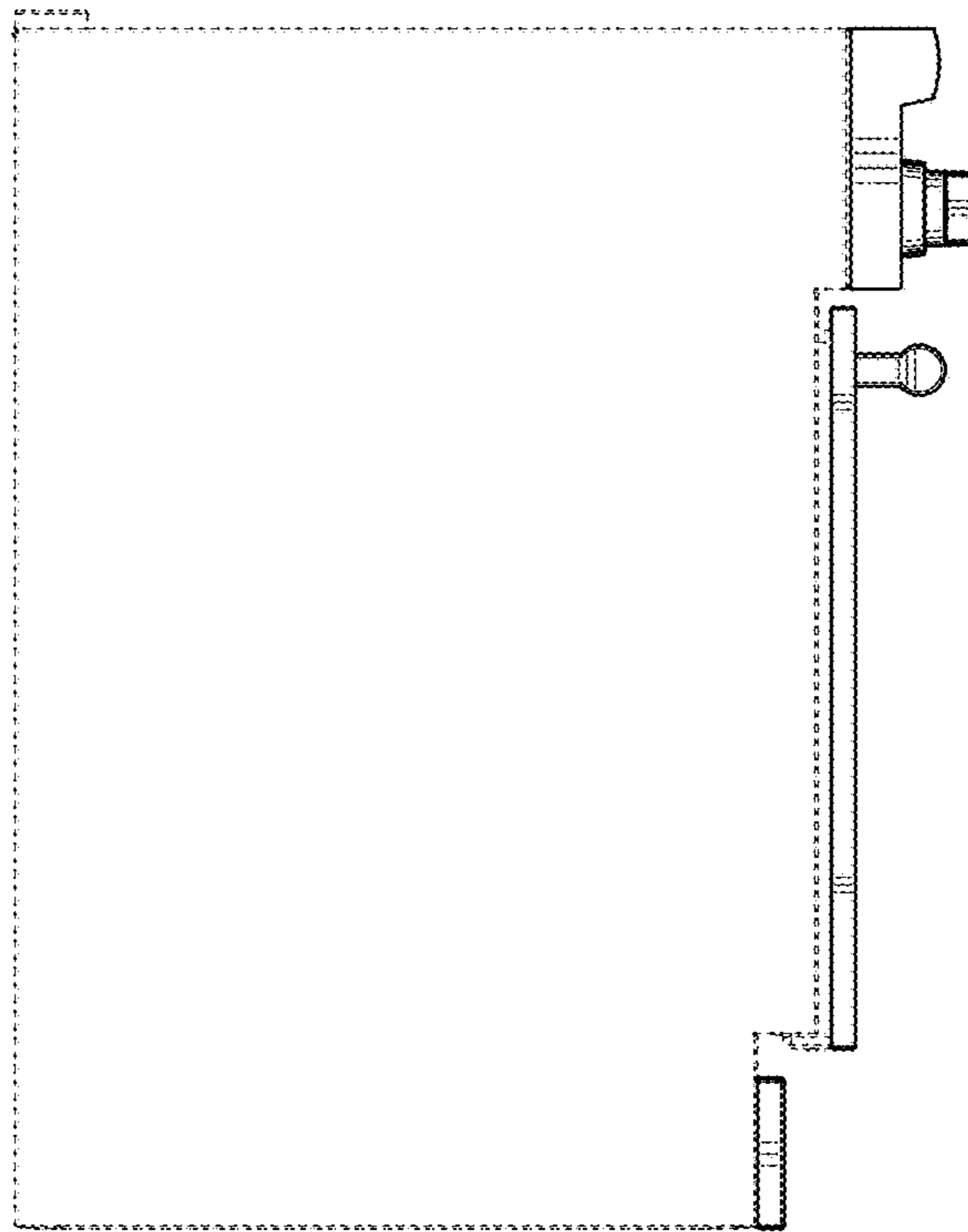


FIG. 5

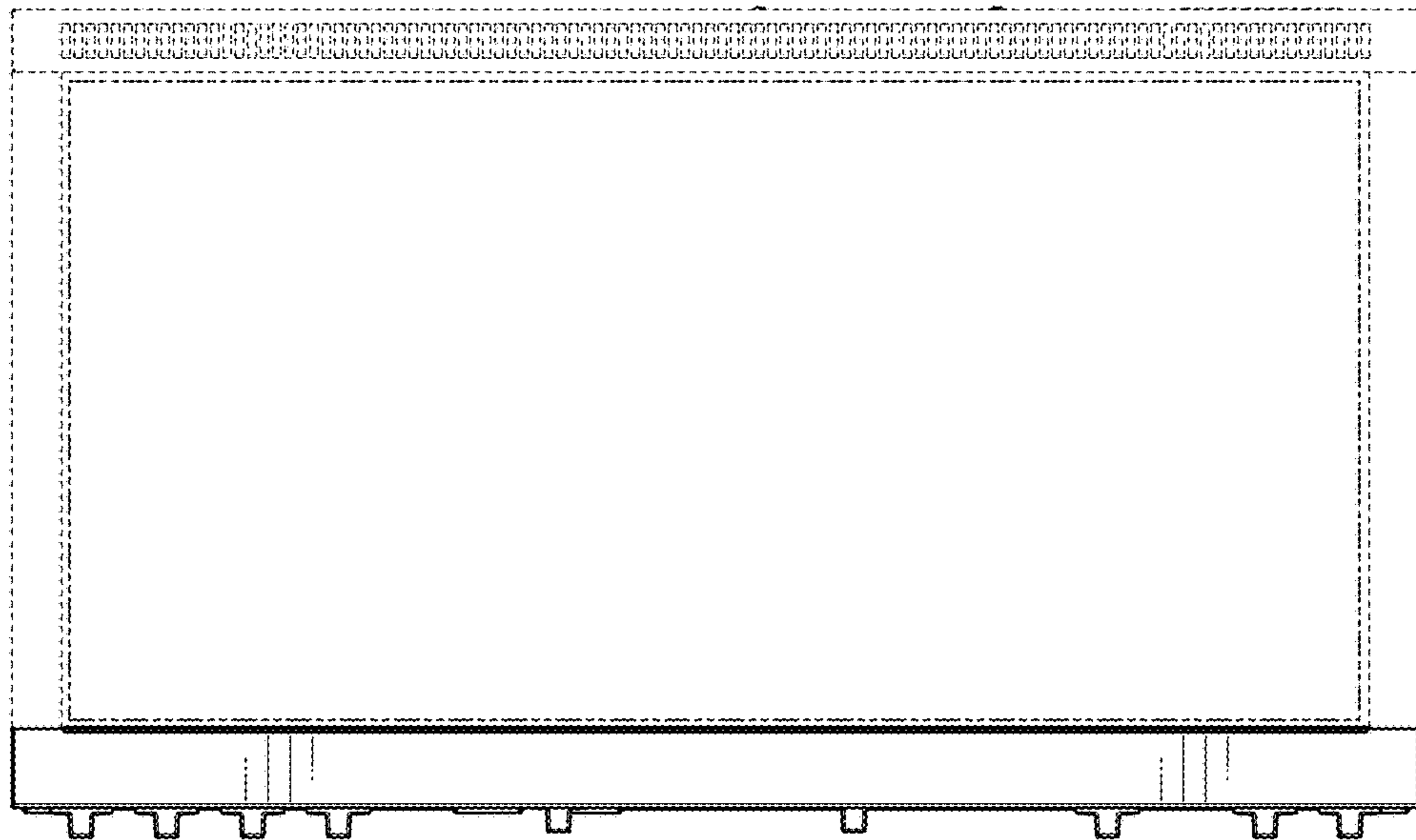


FIG. 6

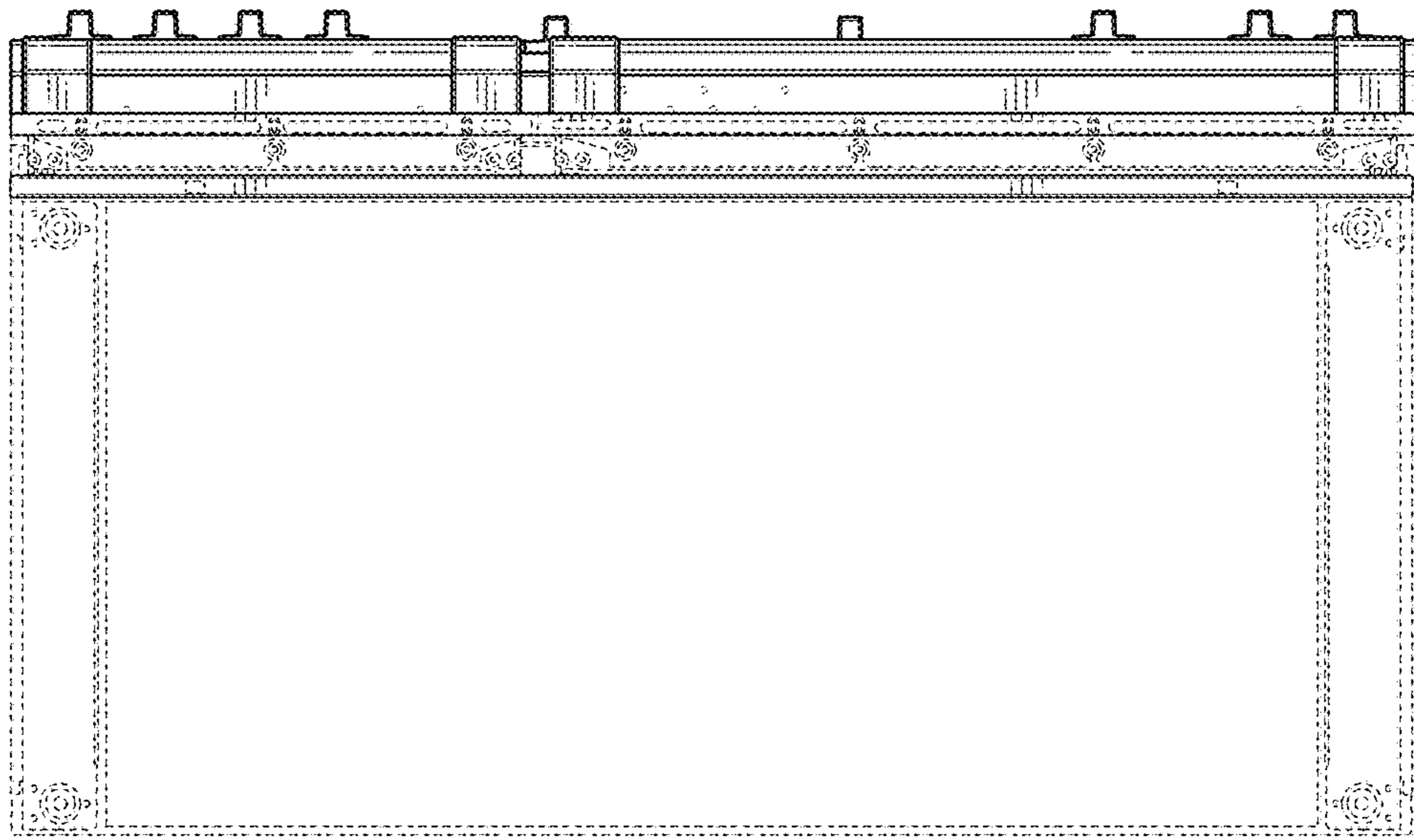


FIG. 7