



US00D849475S

(12) **United States Design Patent** (10) **Patent No.:** **US D849,475 S**
Liming et al. (45) **Date of Patent:** **** May 28, 2019**

(54) **PLASTIC CUTLERY HANDLE**

B26B 9/02; B26B 11/00; B26B 11/006;
B26B 17/00; B26B 17/006; B26B 29/02

(71) Applicant: **Huhtamaki, Inc.**, De Soto, KS (US)

See application file for complete search history.

(72) Inventors: **Michael A. Liming**, New Vienna, OH (US); **Gregory L. Webb**, Wilmington, OH (US)

(56) **References Cited**

U.S. PATENT DOCUMENTS

(73) Assignee: **HUHTAMAKI, INC.**, De Soto, KS (US)

D21,614 S *	6/1892	McLeod	D7/395
D300,112 S *	3/1989	Osterhout	D8/107
D304,154 S *	10/1989	Osterhout	D8/99
D421,339 S *	3/2000	Jeannet	D4/104
D436,813 S	1/2001	Kobayashi et al.		
D439,806 S *	4/2001	Juhlin	D7/650
D464,539 S *	10/2002	Richwine	D8/5
D467,658 S	12/2002	Goodwin		
D471,770 S *	3/2003	Teuber	D7/645
D479,103 S	9/2003	McMullin		
D554,952 S	11/2007	Smith		
D555,433 S	11/2007	Koennecke		
D557,083 S	12/2007	Medling et al.		
D562,643 S *	2/2008	Morrison	D7/642

(**) Term: **15 Years**

(21) Appl. No.: **29/659,881**

(22) Filed: **Aug. 13, 2018**

(Continued)

Primary Examiner — Ricky Pham

(74) Attorney, Agent, or Firm — Husch Blackwell LLP

Related U.S. Application Data

(62) Division of application No. 29/617,650, filed on Sep. 15, 2017, now Pat. No. Des. 836,392.

(57) **CLAIM**

The ornamental design for a plastic cutlery handle, as shown and described.

(51) **LOC (11) Cl.** **07-03**

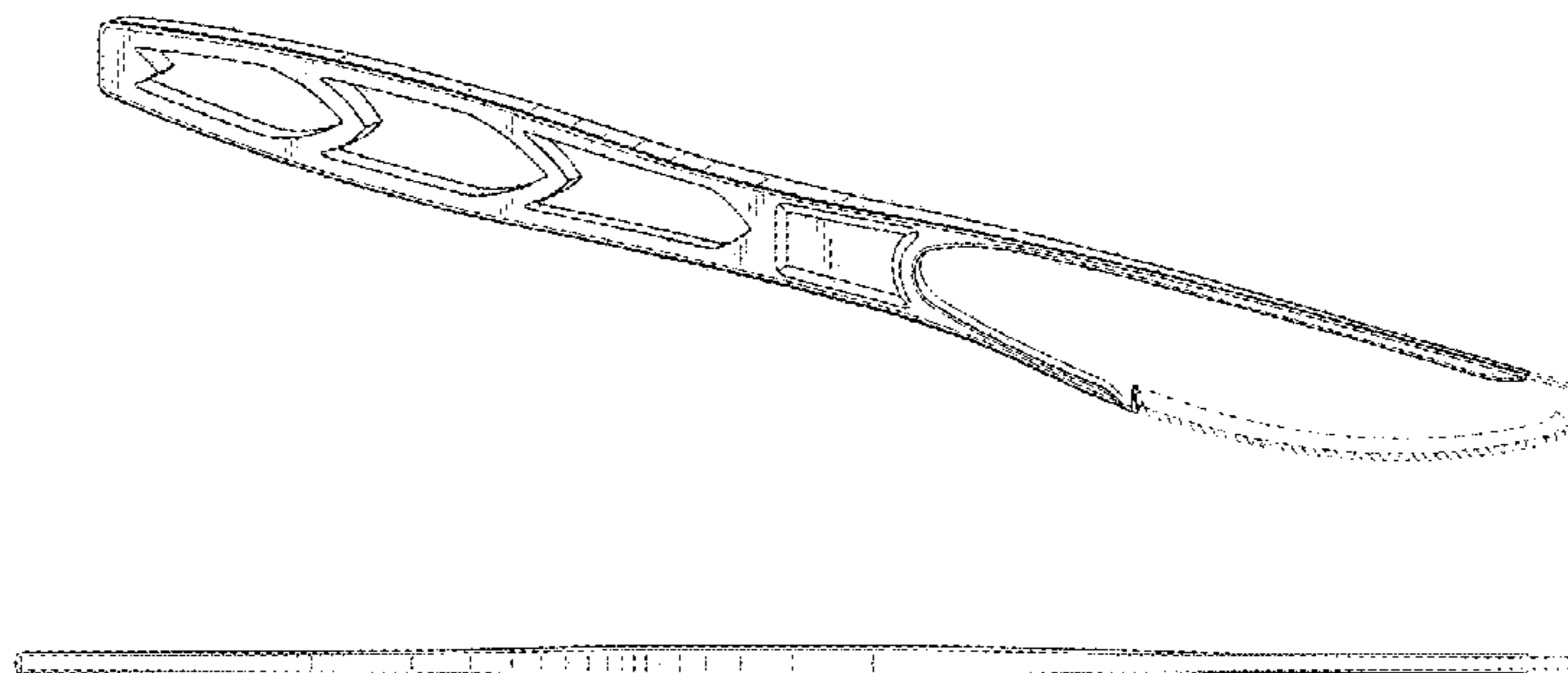
(52) **U.S. Cl.**
USPC **D7/401.2**; D7/642; D7/649; D7/650

(58) **Field of Classification Search**
USPC D4/104; D7/349, 393–395, 401.2, D7/642–652, 664, 693, 695–696; D8/5, D8/93, 97–100, 107, 300, 321; D22/117–118
CPC A01B 1/20; A01B 1/22; A22C 25/006; A47G 21/06; A47G 21/065; A61B 17/3211; A61B 17/3213; B21D 53/64; B25G 3/36; B26B 1/00; B26B 1/08; B26B 1/10; B26B 3/00; B26B 3/02; B26B 3/03; B26B 3/04; B26B 3/06; B26B 5/00; B26B 5/001; B26B 5/007; B26B 7/00; B26B 7/005; B26B 9/00;

DESCRIPTION

FIG. 1 is a perspective view of a plastic cutlery handle showing the new design;
FIG. 2 is a top plan view of the design shown in FIG. 1;
FIG. 3 is a right side elevational view of the design shown in FIG. 1;
FIG. 4 is a left side elevational view of the design shown in FIG. 1;
FIG. 5 is a bottom plan view of the design shown in FIG. 1;
FIG. 6 is a front elevational view of the design shown in FIG. 1; and,
FIG. 7 is a rear elevational view of the design shown in FIG. 1.

(Continued)



The broken lines shown in the drawings are for illustrative purposes only and form no part of the claimed design.

1 Claim, 2 Drawing Sheets

(56)

References Cited

U.S. PATENT DOCUMENTS

D564,293 S *	3/2008	Wasserman	D7/395
D572,543 S	7/2008	Koennecke	
D634,577 S	3/2011	Oakes	
D634,974 S	3/2011	Oakes	
D675,868 S	2/2013	Liming et al.	
D686,467 S	7/2013	Barnett et al.	
D686,889 S	7/2013	Dang	
D699,315 S	2/2014	Seeds et al.	
D700,022 S	2/2014	Stanford	
D700,811 S	3/2014	Lin	
D717,111 S	11/2014	Wang et al.	
D717,112 S	11/2014	Wang et al.	
D737,110 S	8/2015	Schufft	
D770,217 S	11/2016	Yang	
D770,219 S	11/2016	Yang	
D770,837 S *	11/2016	Yang	D7/349
D827,393 S *	9/2018	Liming	D7/664
D828,118 S *	9/2018	Mackall, Jr.	D7/645
D830,137 S *	10/2018	Liming	D7/664
2008/0184526 A1	8/2008	Bugatti	
2008/0256806 A1	10/2008	Medling et al.	
2009/0019709 A1	1/2009	Fisher et al.	

* cited by examiner

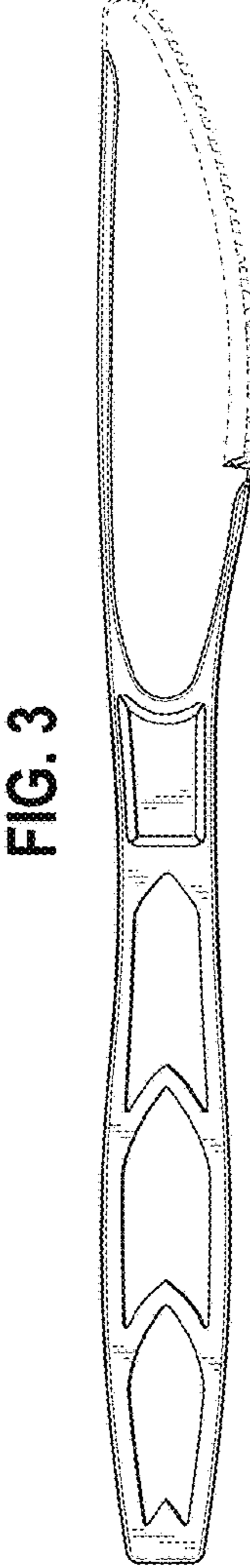
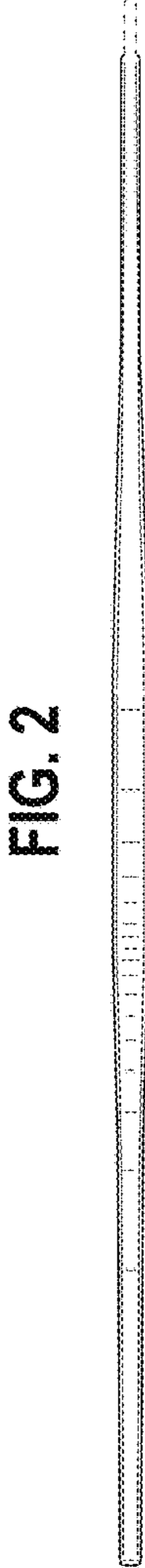
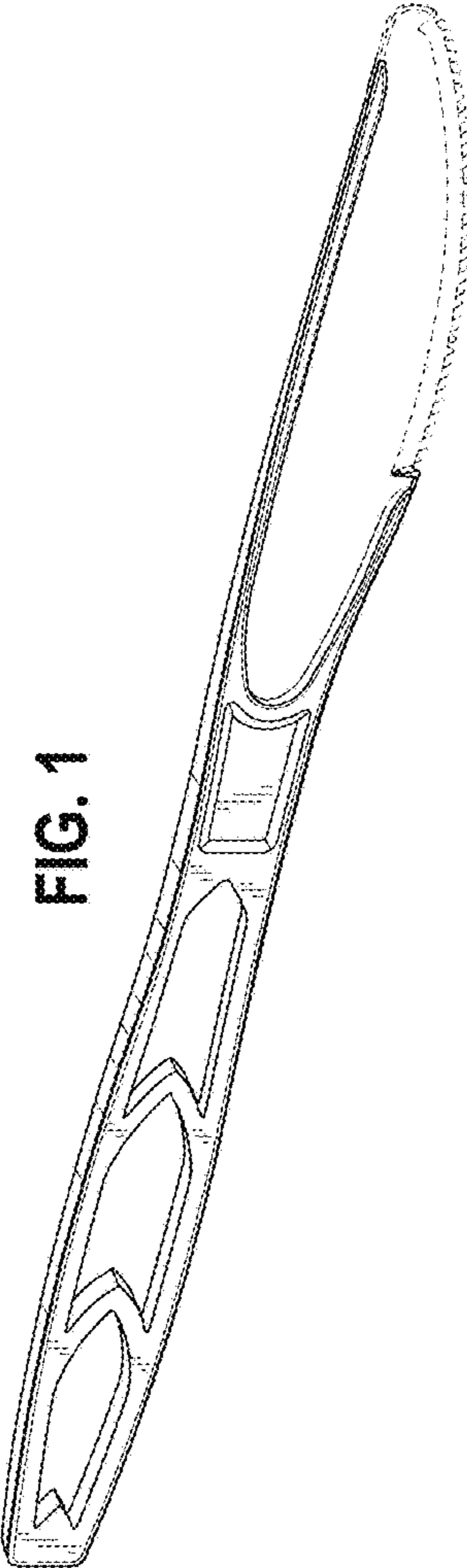


FIG. 4

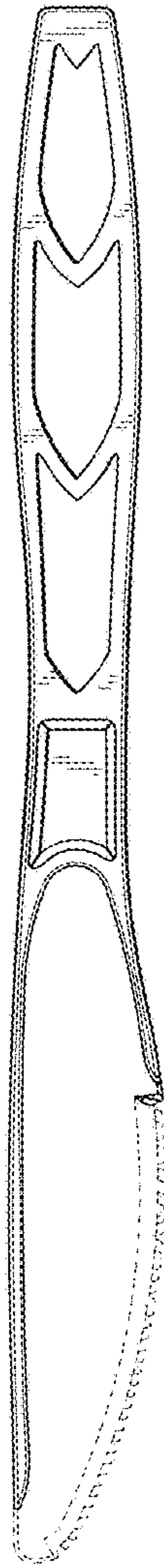


FIG. 5



FIG. 6

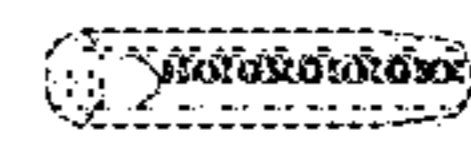


FIG. 7

