



US00D849474S

(12) **United States Design Patent** (10) **Patent No.:** **US D849,474 S**  
**Liming et al.** (45) **Date of Patent:** **\*\* May 28, 2019**

(54) **PLASTIC CUTLERY HANDLE**

(71) Applicant: **Huhtamaki, Inc.**, De Soto, KS (US)

(72) Inventors: **Michael A. Liming**, New Vienna, OH (US); **Gregory L. Webb**, Wilmington, OH (US)

(73) Assignee: **HUHTAMAKI, INC.**, De Soto, KS (US)

(\*\*) Term: **15 Years**

(21) Appl. No.: **29/659,855**

(22) Filed: **Aug. 13, 2018**

**Related U.S. Application Data**

(62) Division of application No. 29/617,617, filed on Sep. 14, 2017, now Pat. No. Des. 836,391.

(51) **LOC (11) Cl.** ..... **07-03**

(52) **U.S. Cl.**  
USPC ..... **D7/401.2**; D7/642; D7/649; D7/650

(58) **Field of Classification Search**  
USPC ..... D4/104; D7/349, 393-395, 401.2, D7/642-652, 664, 693, 695-696; D8/5, D8/93, 97-100, 107, 300, 321; D22/117-118

CPC ..... A01B 1/20; A01B 1/22; A22C 25/006; A47G 21/06; A47G 21/065; A61B 17/3211; A61B 17/3213; B21D 53/64; B25G 3/36; B26B 1/00; B26B 1/08; B26B 1/10; B26B 3/00; B26B 3/02; B26B 3/03; B26B 3/04; B26B 3/06; B26B 5/00; B26B 5/001; B26B 5/007; B26B 7/00; B26B 7/005; B26B 9/00; B26B 9/02; B26B 11/00; B26B 11/006; B26B 17/00; B26B 17/006; B26B 29/02

See application file for complete search history.

(56) **References Cited**

U.S. PATENT DOCUMENTS

D21,614 S *	6/1892	McLeod .....	D7/395
D300,112 S *	3/1989	Osterhout .....	D8/107
D304,154 S *	10/1989	Osterhout .....	D8/99
D421,339 S *	3/2000	Jeannet .....	D4/104
D436,813 S	1/2001	Kobayashi et al.	
D439,806 S *	4/2001	Juhlin .....	D7/650
D464,539 S *	10/2002	Richwine .....	D8/5
D467,658 S	12/2002	Goodwin	
D471,770 S *	3/2003	Teuber .....	D7/645
D479,103 S	9/2003	McMullin	
D554,952 S	11/2007	Smith	
D555,433 S	11/2007	Koennecke	
D557,083 S	12/2007	Medling et al.	
D562,643 S *	2/2008	Morrison .....	D7/642

(Continued)

*Primary Examiner* — Ricky Pham

(74) *Attorney, Agent, or Firm* — Husch Blackwell LLP

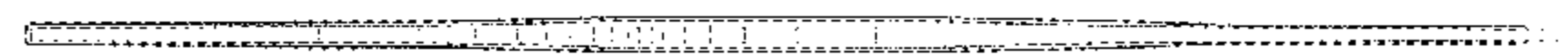
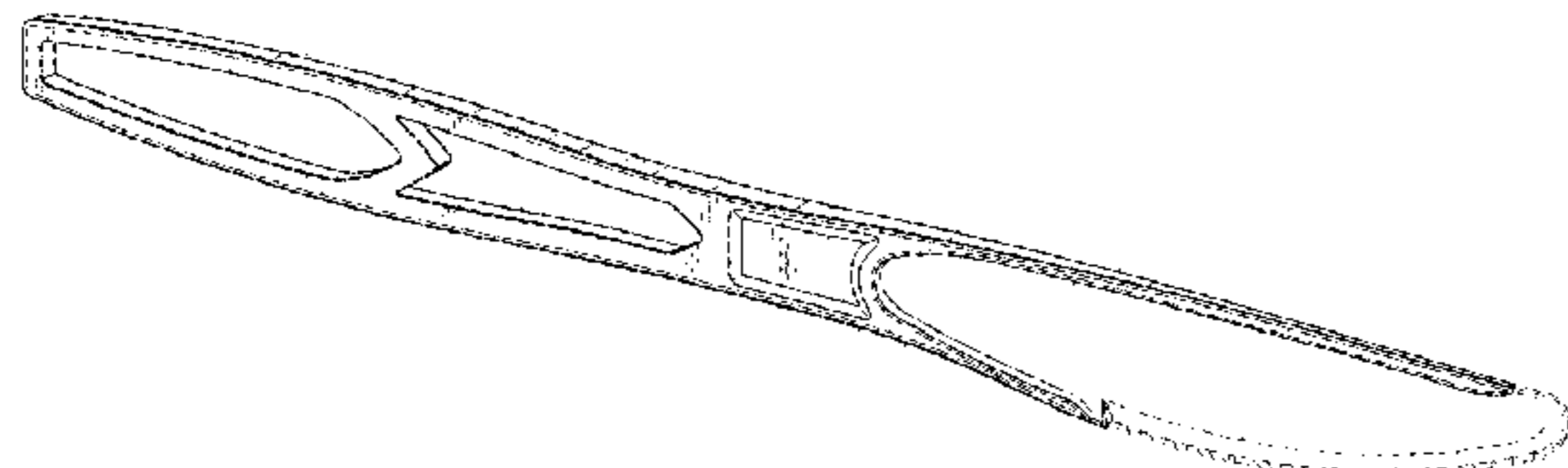
(57) **CLAIM**

The ornamental design for a plastic cutlery handle, as shown and described.

**DESCRIPTION**

FIG. 1 is a perspective view of a plastic cutlery handle showing the new design; FIG. 2 is a top plan view of the design shown in FIG. 1; FIG. 3 is a right side elevational view of the design shown in FIG. 1; FIG. 4 is a left side elevational view of the design shown in FIG. 1; FIG. 5 is a bottom plan view of the design shown in FIG. 1; FIG. 6 is a front elevational view of the design shown in FIG. 1; and, FIG. 7 is a rear elevational view of the design shown in FIG. 1. The broken lines shown in the drawings are for illustrative purposes only and form no part of the claimed design.

**1 Claim, 2 Drawing Sheets**



(56)

References Cited

U.S. PATENT DOCUMENTS

D564,293	S	*	3/2008	Wasserman	.....	D7/395
D572,543	S		7/2008	Koennecke		
D634,577	S		3/2011	Oakes		
D634,974	S		3/2011	Oakes		
D675,868	S		2/2013	Liming et al.		
D686,467	S		7/2013	Barnett et al.		
D686,889	S		7/2013	Dang		
D699,315	S		2/2014	Seeds et al.		
D700,022	S		2/2014	Stanford		
D700,811	S		3/2014	Lin		
D717,111	S		11/2014	Wang et al.		
D717,112	S		11/2014	Wang et al.		
D737,110	S		8/2015	Schuft		
D770,217	S		11/2016	Yang		
D770,219	S		11/2016	Yang		
D770,837	S	*	11/2016	Yang	.....	D7/349
D827,393	S	*	9/2018	Liming	.....	D7/664
D828,118	S	*	9/2018	Mackall, Jr.	.....	D7/645
D830,137	S	*	10/2018	Liming	.....	D7/664
2008/0184526	A1		8/2008	Bugatti		
2008/0256806	A1		10/2008	Medling et al.		
2009/0019709	A1		1/2009	Fisher et al.		

\* cited by examiner

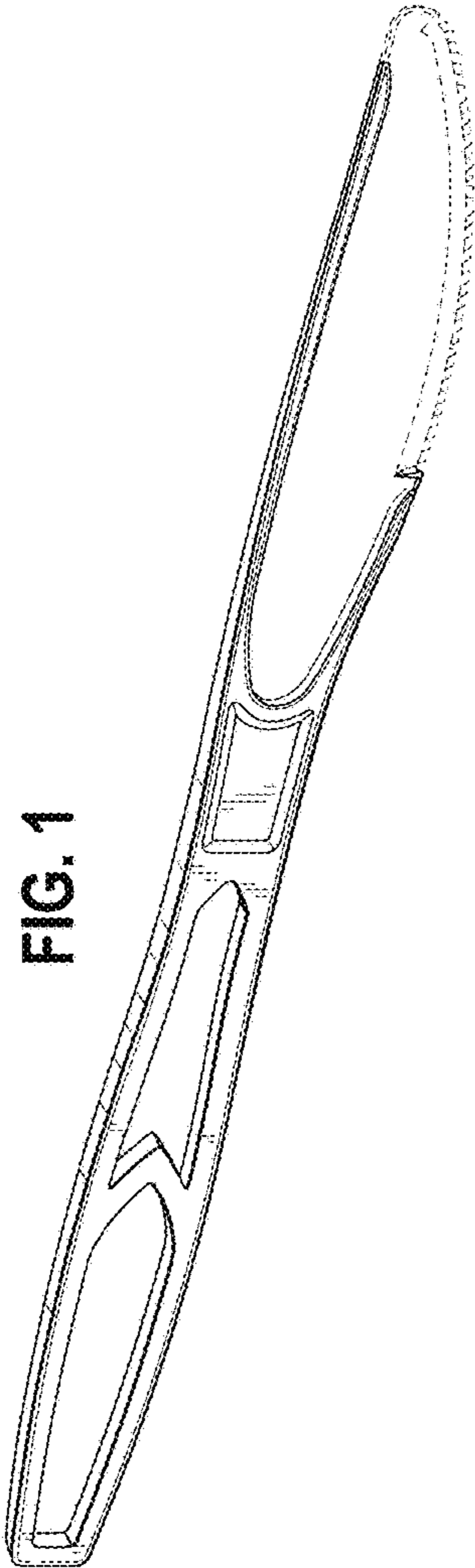


FIG. 1



FIG. 2

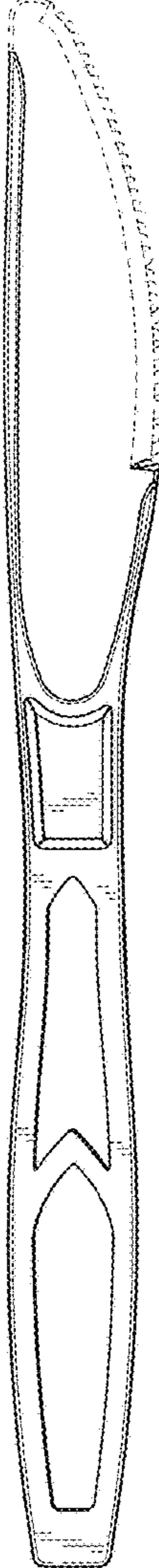


FIG. 3

FIG. 4

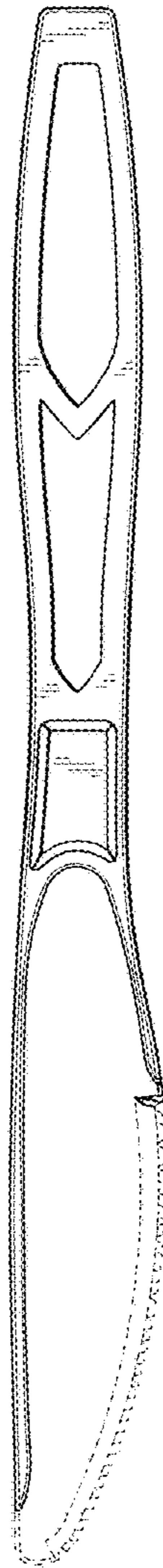


FIG. 5

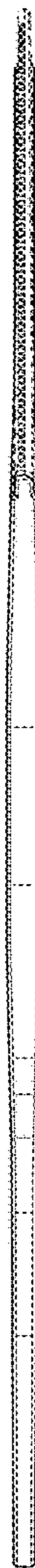


FIG. 6



FIG. 7

