



US00D849469S

(12) **United States Design Patent** (10) **Patent No.:** **US D849,469 S**  
**Hazelton et al.** (45) **Date of Patent:** **\*\* May 28, 2019**

(54) **UNIVERSAL CONTAINER LID**  
(71) Applicants: **Lance Eric Hazelton**, Maplewood, NJ (US); **Paul Lacotta**, Tenafly, NJ (US)  
(72) Inventors: **Lance Eric Hazelton**, Maplewood, NJ (US); **Paul Lacotta**, Tenafly, NJ (US)  
(73) Assignee: **HELEN OF TROY LIMITED**, St. Michael (BB)  
(\*\*) Term: **15 Years**  
(21) Appl. No.: **29/643,417**  
(22) Filed: **Apr. 9, 2018**  
(51) **LOC (11) Cl.** ..... **07-02**  
(52) **U.S. Cl.**  
USPC ..... **D7/391**  
(58) **Field of Classification Search**  
USPC ..... D7/354, 360, 391, 392, 392.1, 393, 397, D7/510, 542, 589, 605, 608, 629; D9/414, 424-432, 435, 446, 447, 449, D9/451-453  
CPC ..... A47J 36/027; A47J 36/06; A47J 37/10; A47J 37/101; B65D 21/0209; B65D 43/00; B65D 43/02; B65D 43/022; B65D 43/161; B65D 43/162; B65D 45/00; B65D 45/16; B65D 45/18; B65D 51/16; B65D 51/1683; B65D 51/1688; B65D 51/1694; B65F 1/1615  
See application file for complete search history.

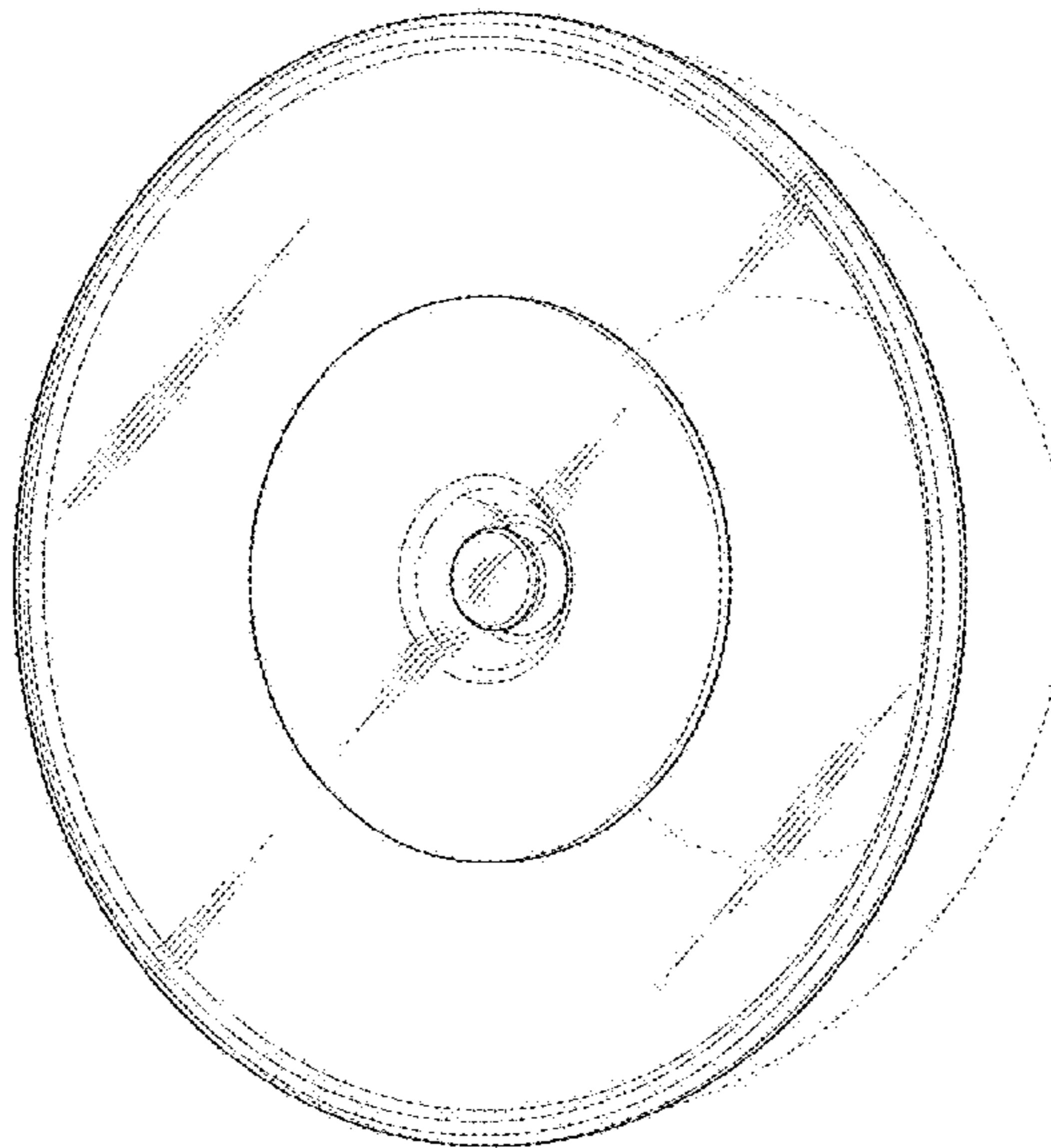
(56) **References Cited**  
U.S. PATENT DOCUMENTS  
D336,596 S \* 6/1993 Osgood ..... D7/542  
D380,124 S \* 6/1997 Kato ..... D7/540  
D446,084 S \* 8/2001 Schulein ..... D7/629  
D537,300 S \* 2/2007 Kim ..... D7/542  
D543,077 S \* 5/2007 Kim ..... D7/629  
D577,549 S \* 9/2008 Plante ..... D7/538  
D578,354 S \* 10/2008 Chiang ..... D7/589  
D634,583 S \* 3/2011 Bernardaud ..... D7/538  
D667,273 S \* 9/2012 Henry ..... D7/542  
D734,976 S \* 7/2015 Quinn ..... D7/354  
D759,425 S \* 6/2016 Castriota ..... D7/354  
D770,845 S \* 11/2016 Quinn ..... D7/354  
D820,027 S \* 6/2018 Weermink ..... D7/354

\* cited by examiner  
*Primary Examiner* — Ricky Pham

(57) **CLAIM**  
The ornamental design for a universal container lid, as shown, and described.

**DESCRIPTION**  
FIG. 1 is a perspective view of a universal container lid; FIG. 2 is a top view thereof; FIG. 3 is a bottom thereof; FIG. 4 is a side elevation view thereof, all other sides being identical; and, FIG. 5 is a perspective view in a use environment. The broken lines in FIG. 5 represent unclaimed environment only and form no part of the claimed design.

**1 Claim, 5 Drawing Sheets**



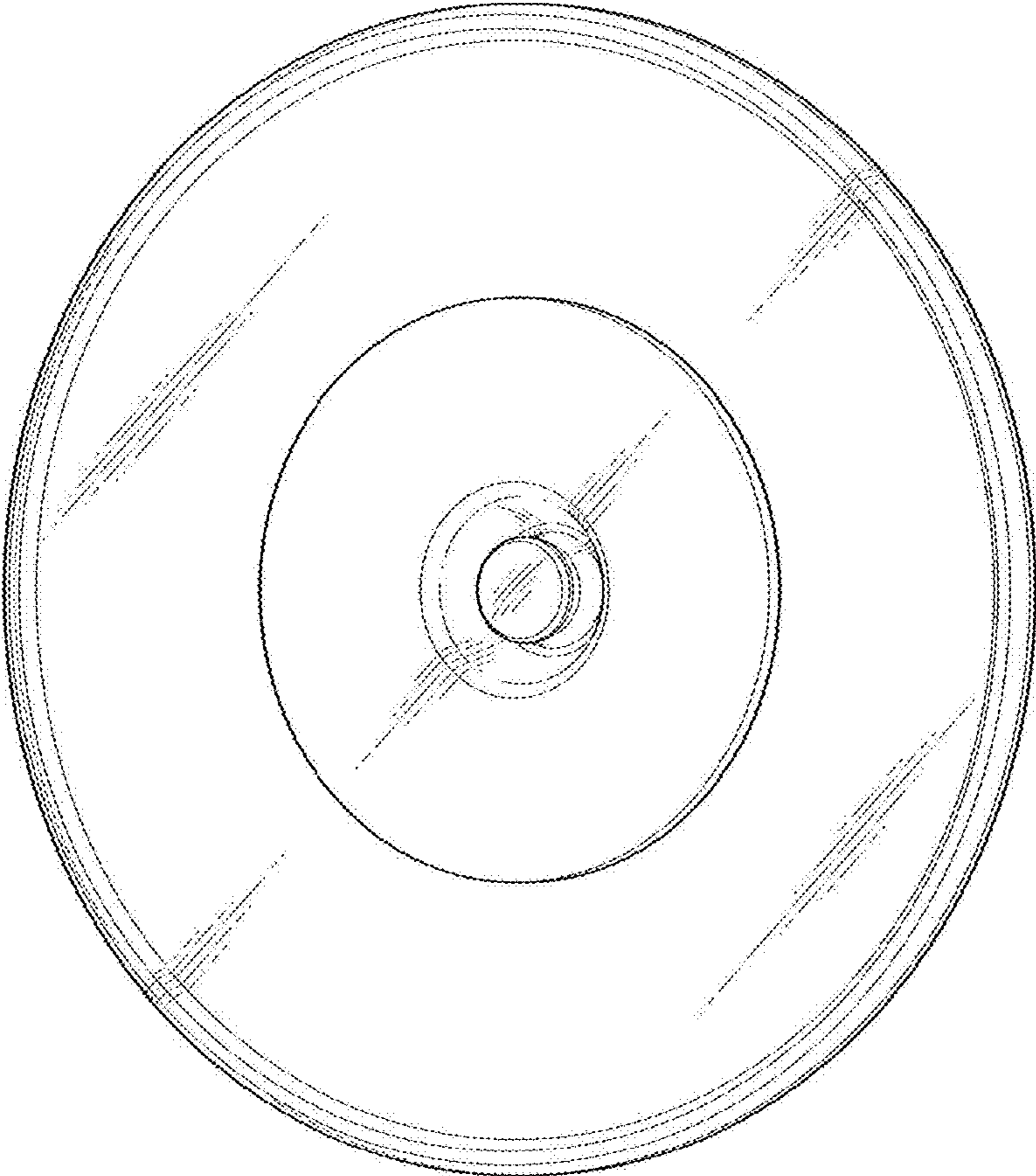


FIG. 1

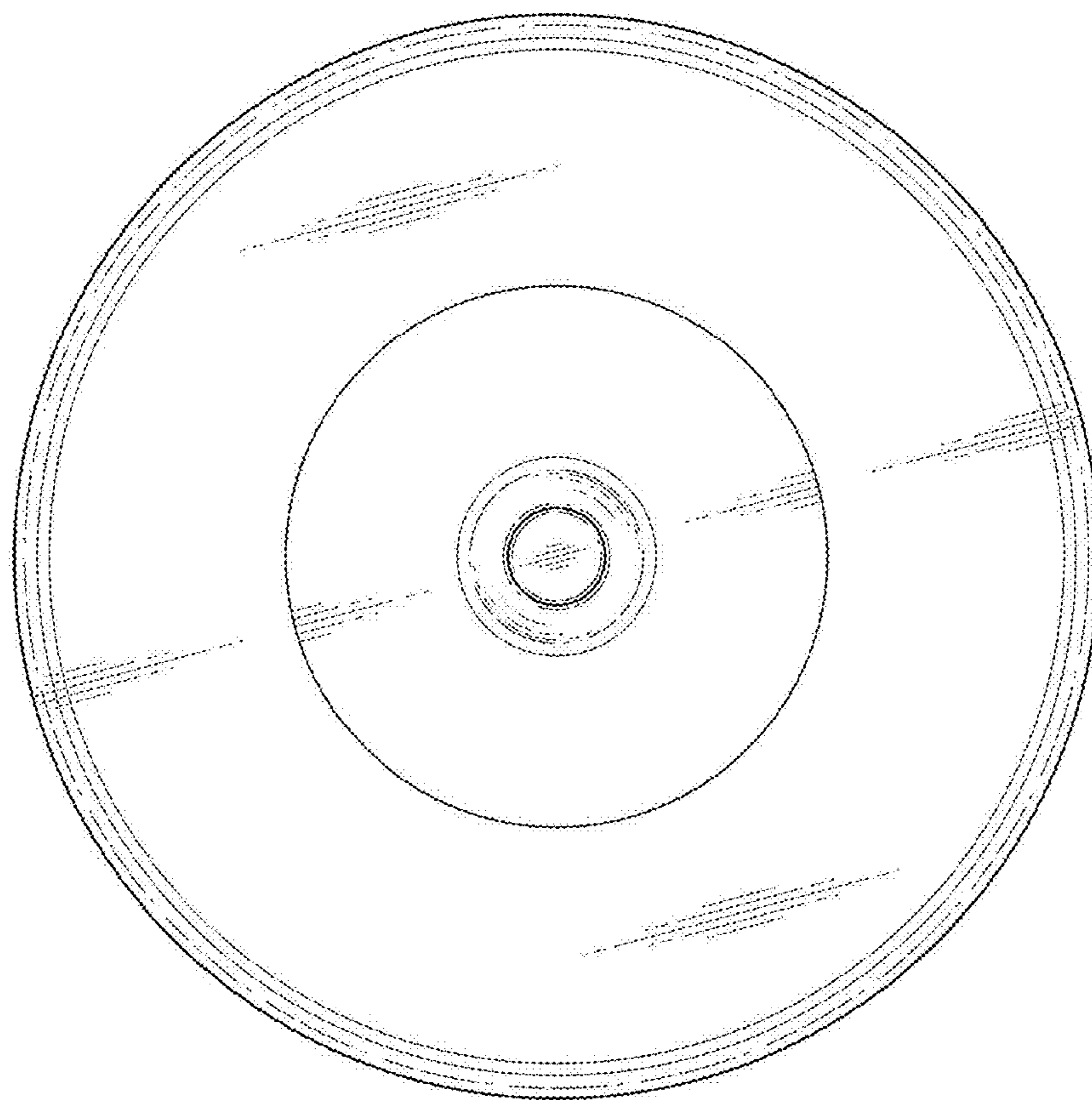


FIG. 2

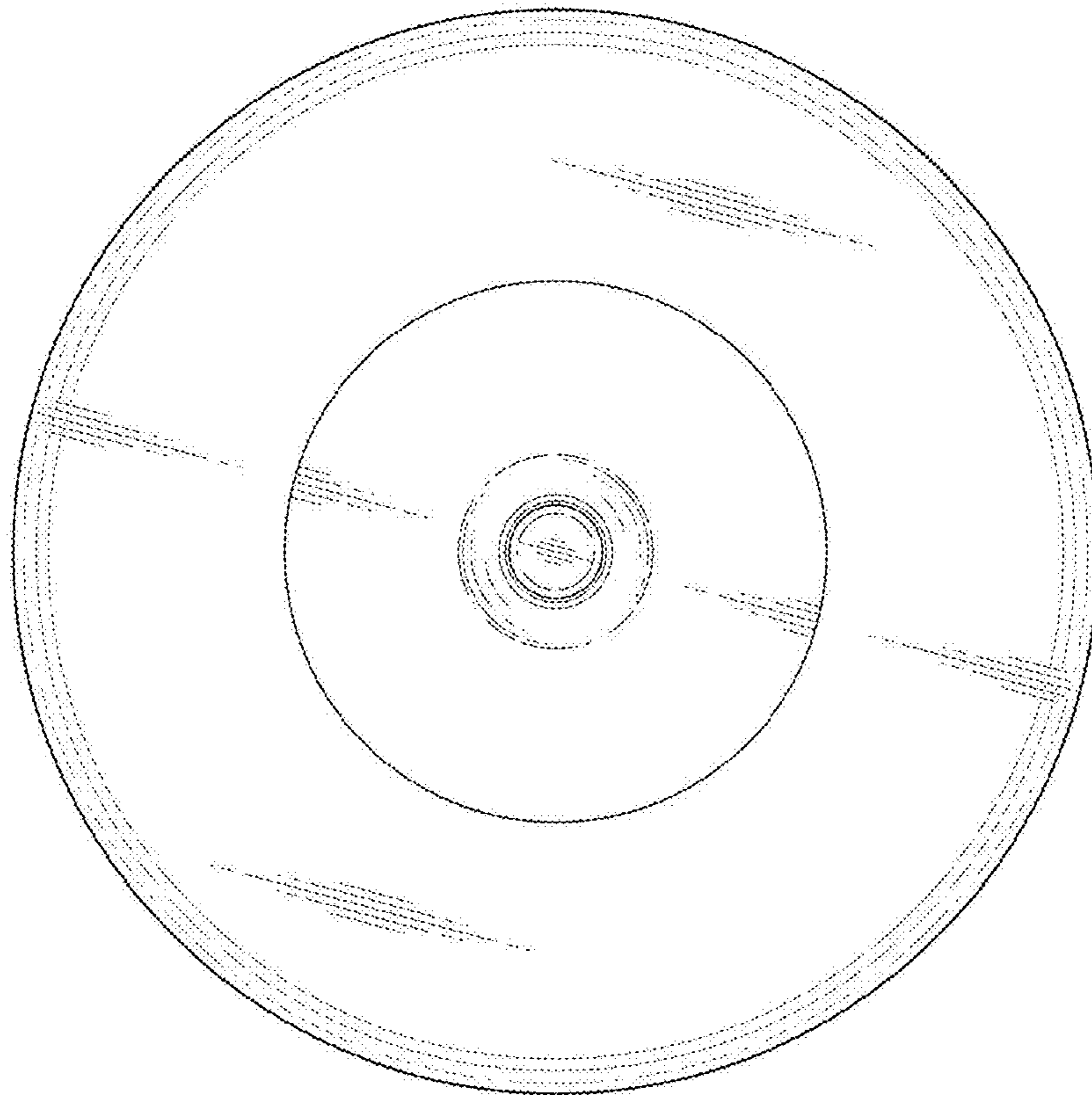


FIG. 3

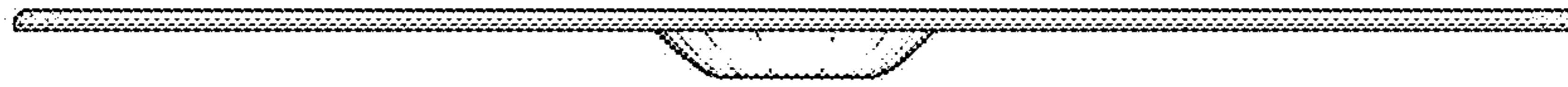


FIG. 4



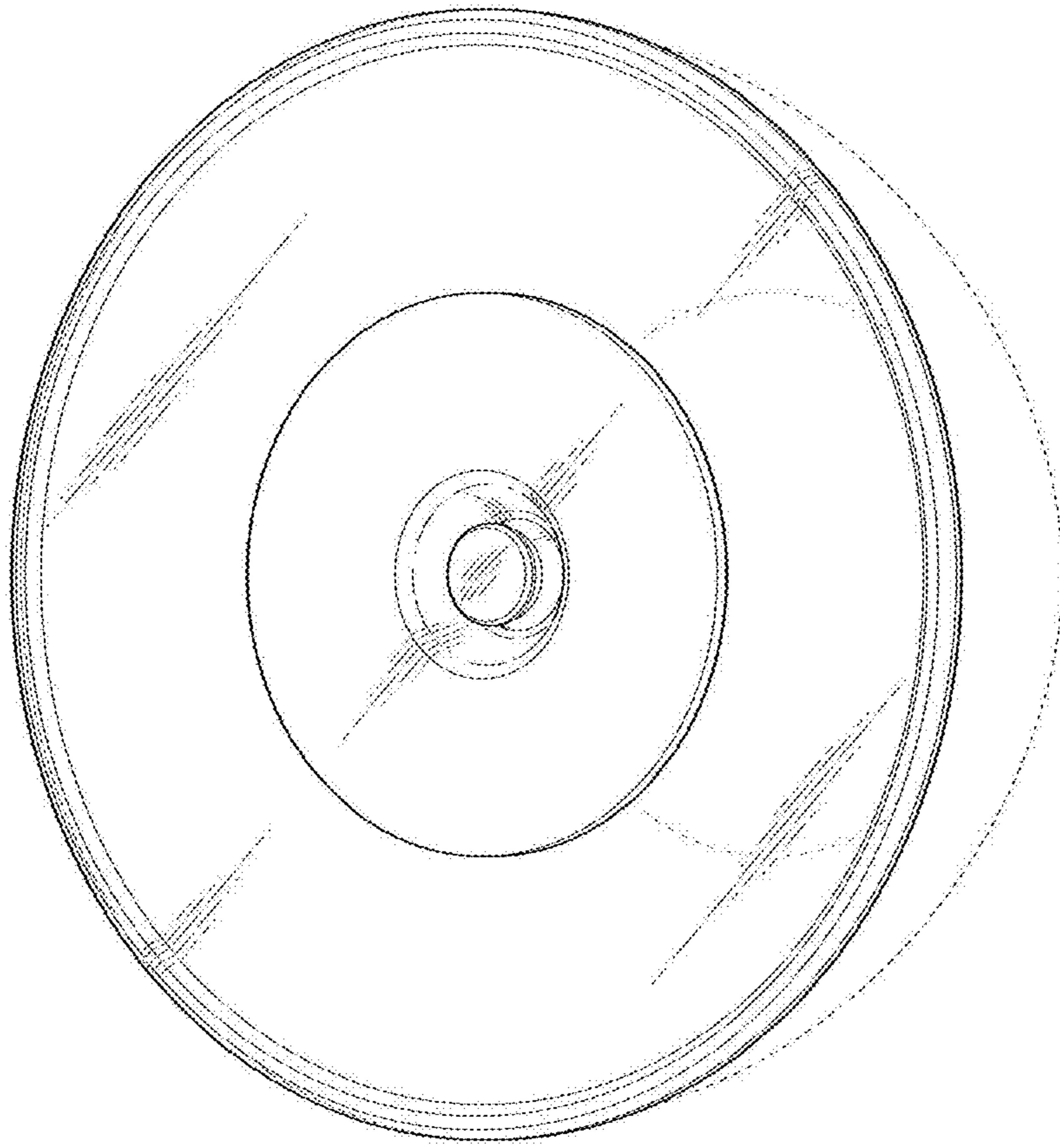


FIG. 5