

US00D849467S

(12) **United States Design Patent** (10) **Patent No.:** **US D849,467 S**
Moon et al. (45) **Date of Patent:** **** May 28, 2019**

(54) **HANDLE FOR AN ELECTRIC GRILL**

(71) Applicant: **NuWave, LLC**, Libertyville, IL (US)

(72) Inventors: **Jung S. Moon**, Long Grove, IL (US);
Eunjung Huh, Grayslake, IL (US);
Byung G. Choi, Lake Villa, IL (US);
Li Xiang Jun, Foshan (CN)

(73) Assignee: **NUWAVE, LLC**, Libertyville, IL (US)

(**) Term: **15 Years**

(21) Appl. No.: **29/608,503**

(22) Filed: **Jun. 22, 2017**

(51) **LOC (11) Cl.** **07-02**

(52) **U.S. Cl.**
USPC **D7/352**

(58) **Field of Classification Search**
USPC D7/352
CPC A47J 37/06
See application file for complete search history.

(56) **References Cited**

U.S. PATENT DOCUMENTS

D697,360 S * 1/2014 Josancy D7/352
D802,984 S * 11/2017 Dutruel D7/352
D827,368 S * 9/2018 Colston D7/402

D830,760 S * 10/2018 Wessels D7/352
2014/0356495 A1 * 12/2014 Teuscher F24C 7/082
426/231
2018/0325312 A1 * 11/2018 Moon A47J 37/0611

* cited by examiner

Primary Examiner — Michael A. Pratt
(74) *Attorney, Agent, or Firm* — Bishop, Diehl & Lee, Ltd.

(57) **CLAIM**

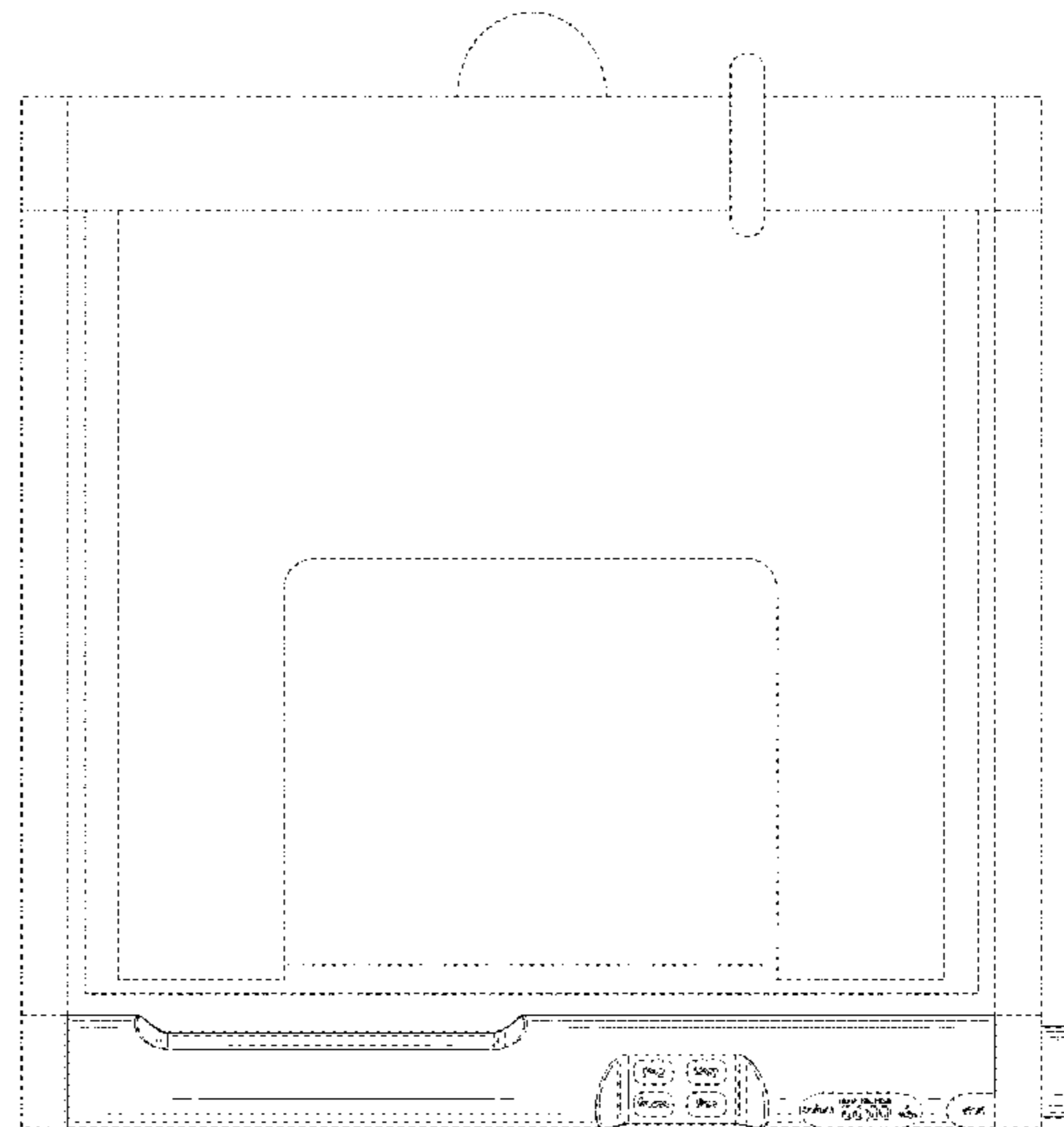
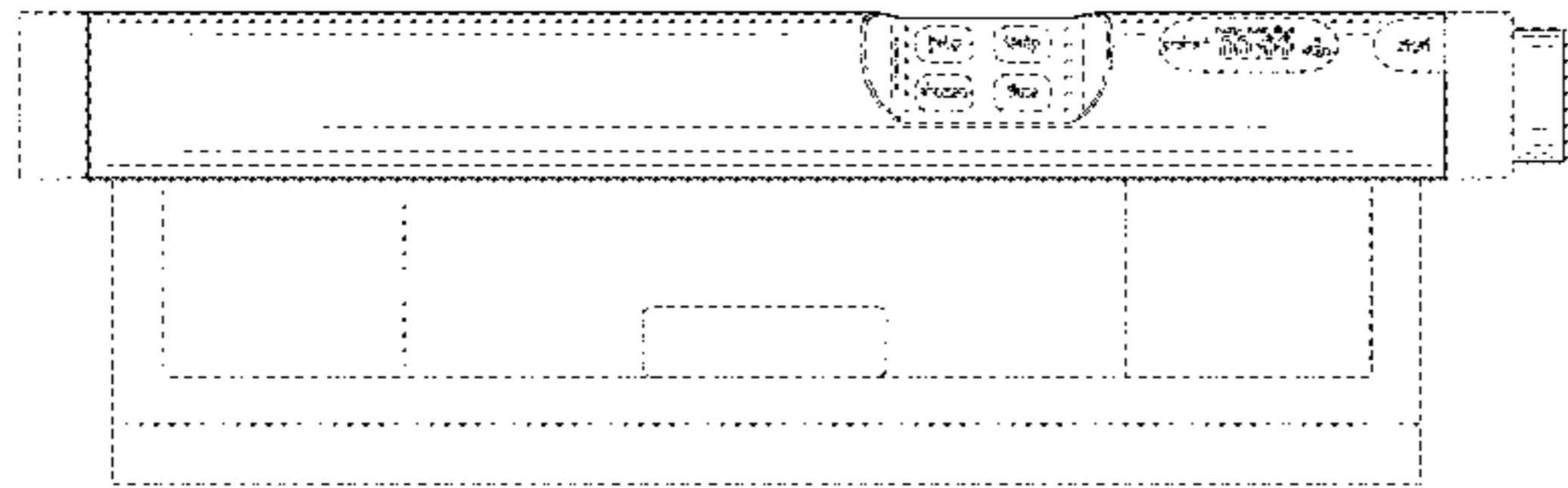
The ornamental design for the handle of an electric grill, as shown and described.

DESCRIPTION

FIG. 1 is an elevated isometric view of an embodiment of a handle for an electric grill showing the new design; FIG. 2 is a front view of the handle for an electric grill shown in FIG. 1; FIG. 3 is a rear view of the handle for an electric grill shown in FIG. 1; FIG. 4 is a left side view of the handle for an electric grill shown in FIG. 1; FIG. 5 is a right side view of the handle of an electric grill shown in FIG. 1; FIG. 6 is a top view of the handle of an electric grill shown in FIG. 1; and, FIG. 7 is a bottom side view of the handle of an electric grill shown in FIG. 1.

The broken lines shown in the appended figures are for purposes of illustrating environmental structures and form no part of the claimed design.

1 Claim, 5 Drawing Sheets



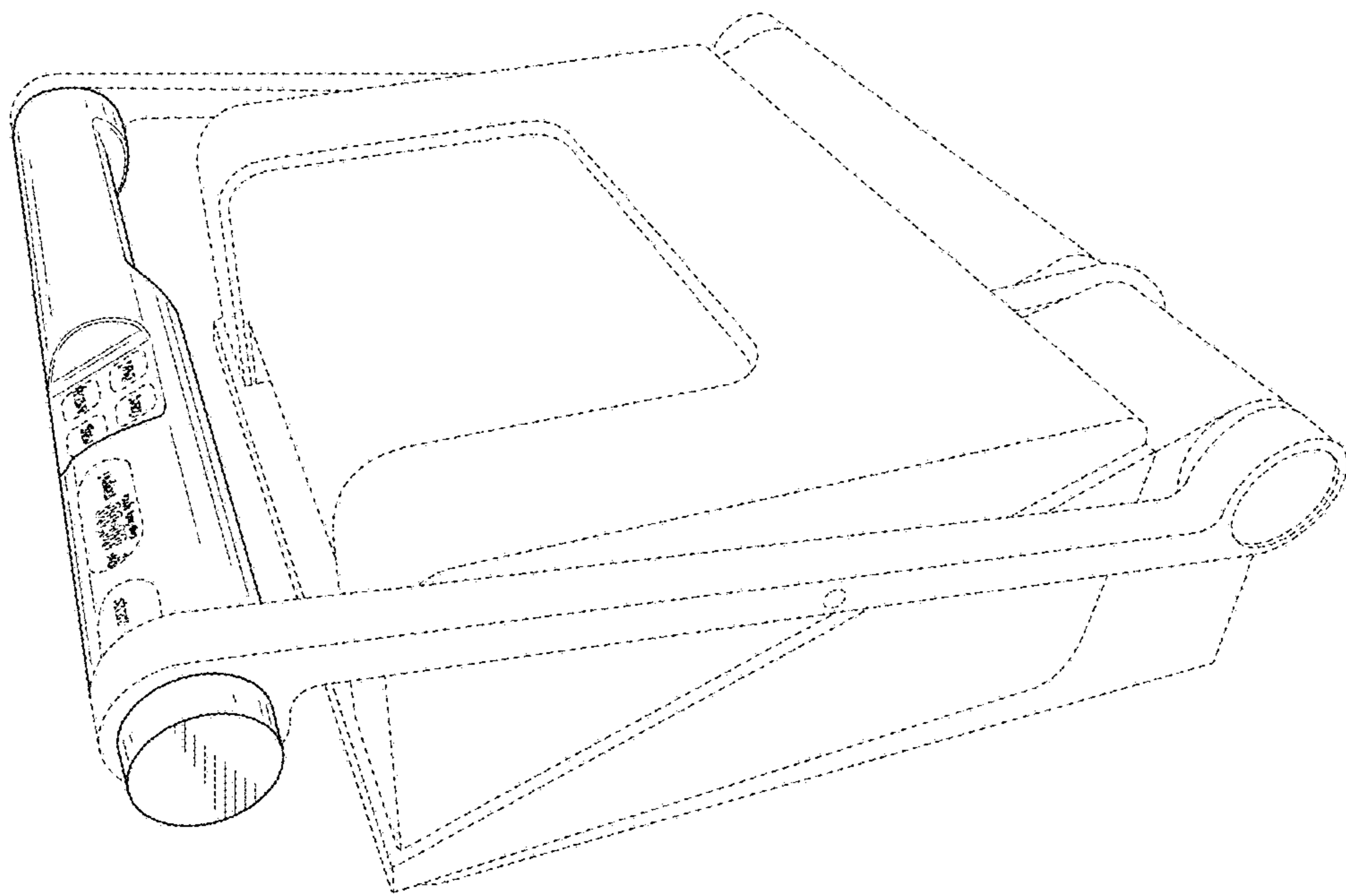


FIG. 1

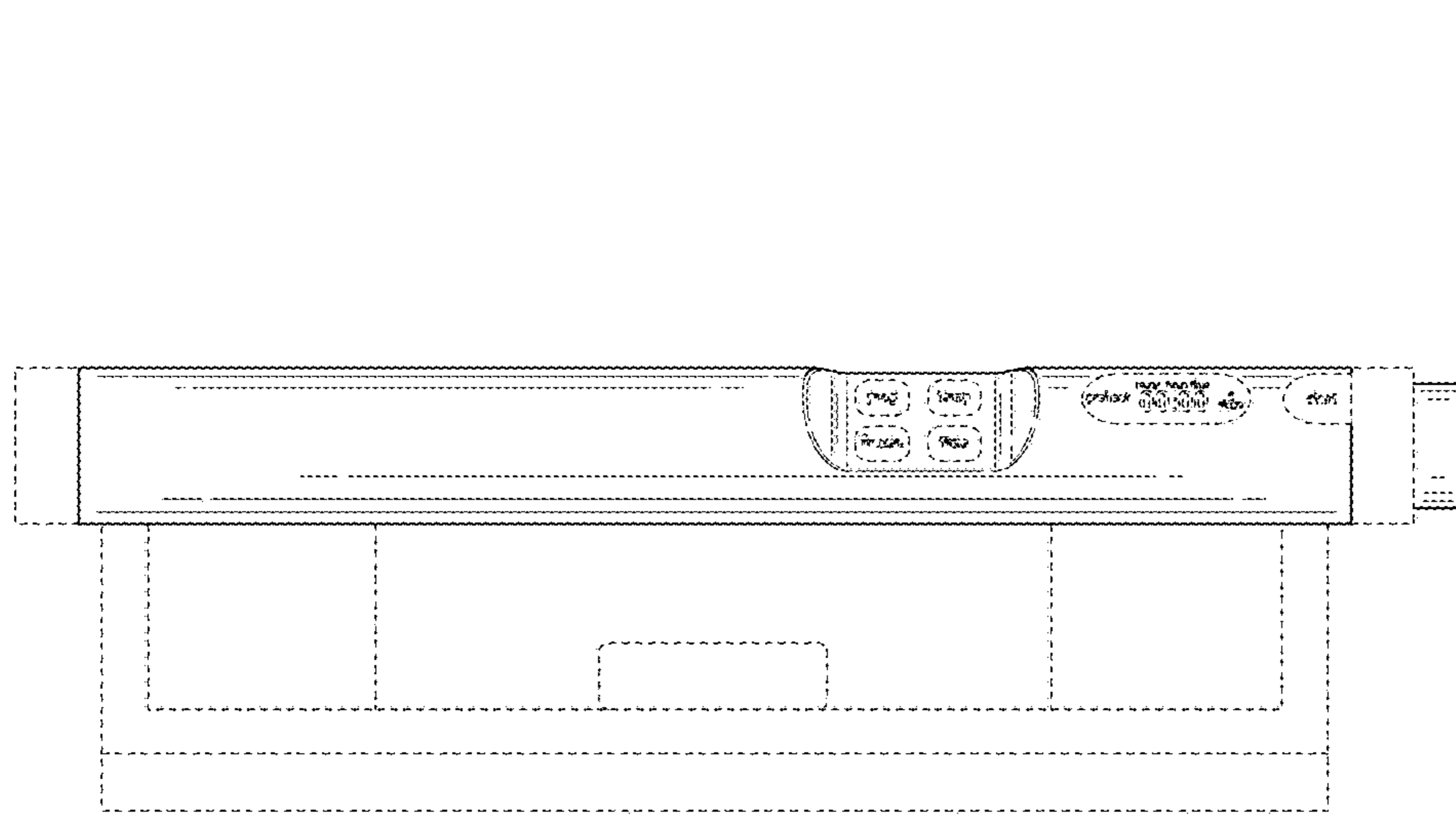


FIG. 2

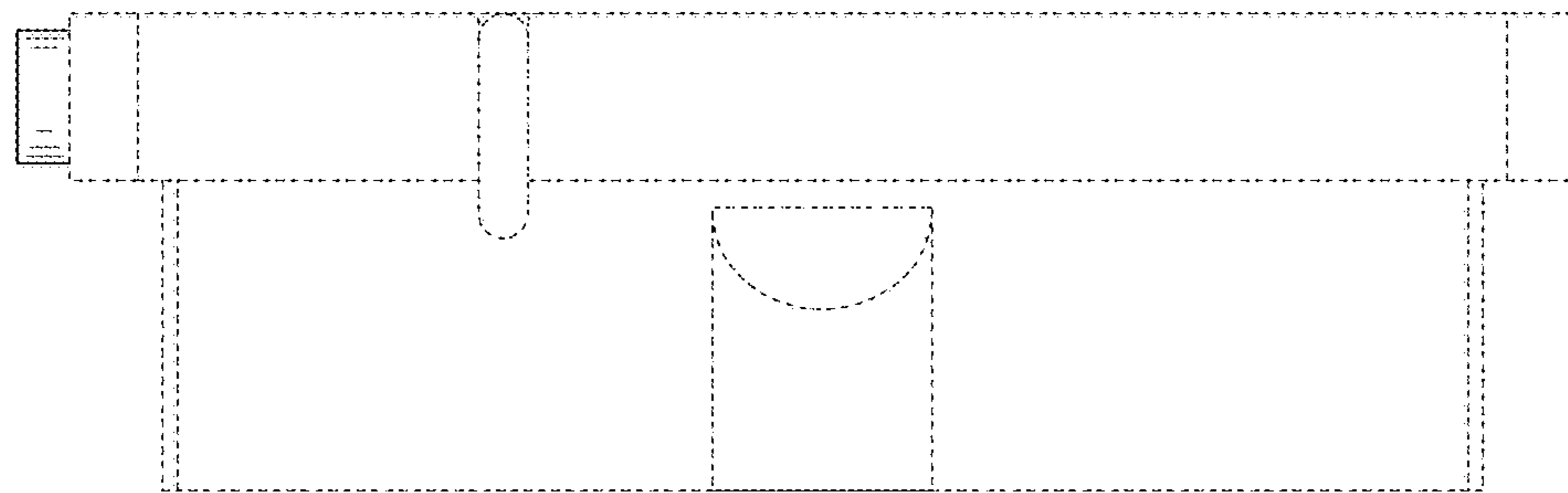


FIG. 3

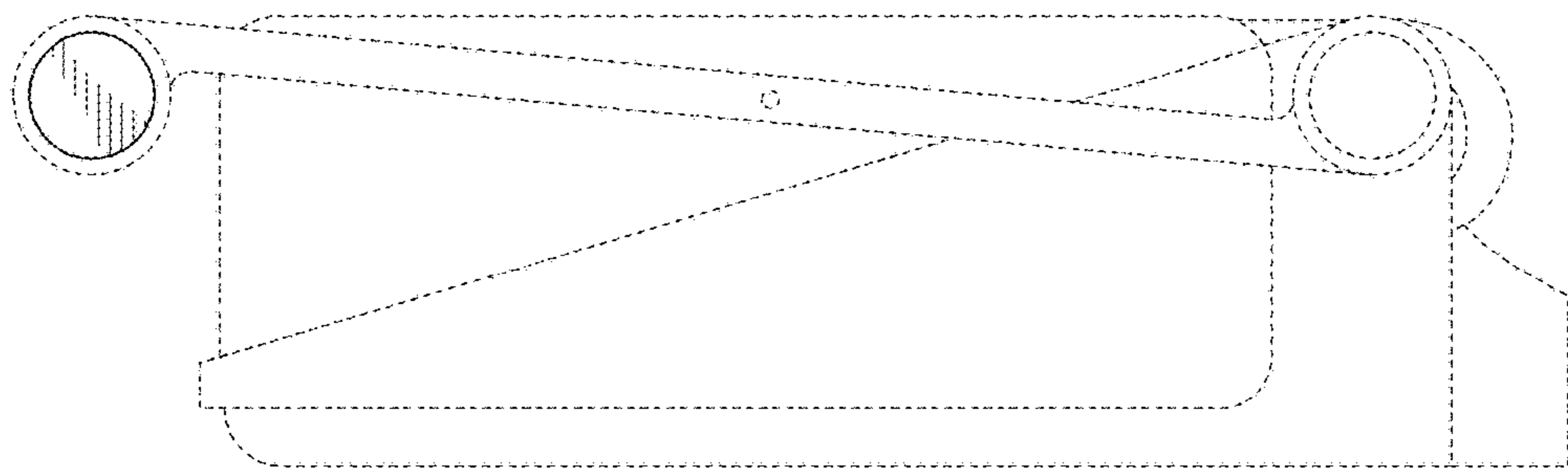


FIG. 4

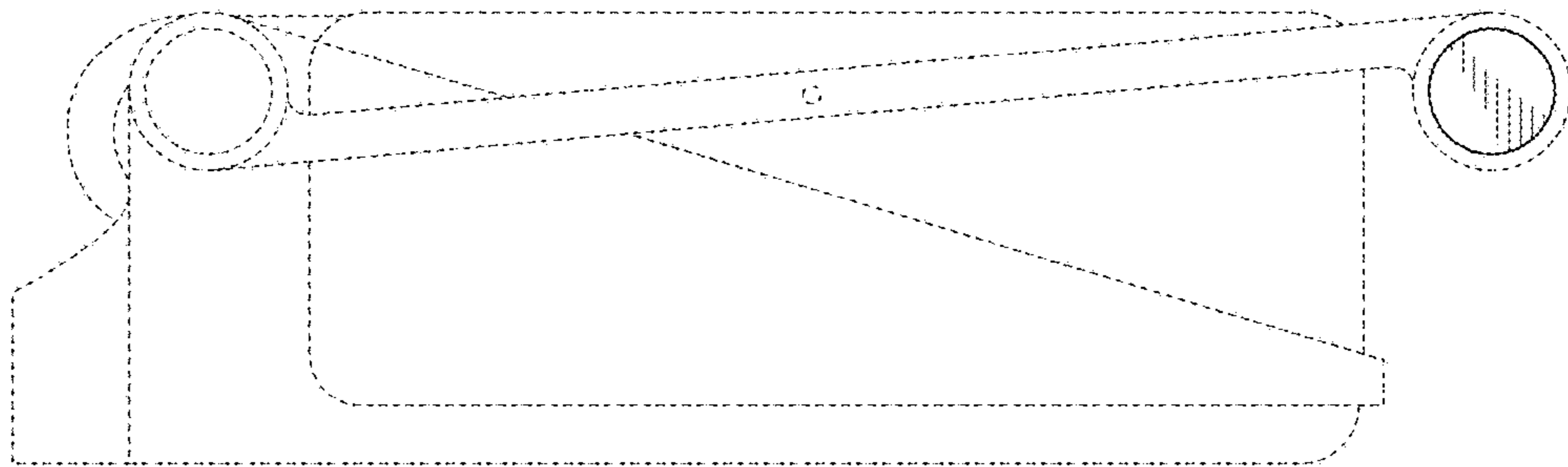


FIG. 5

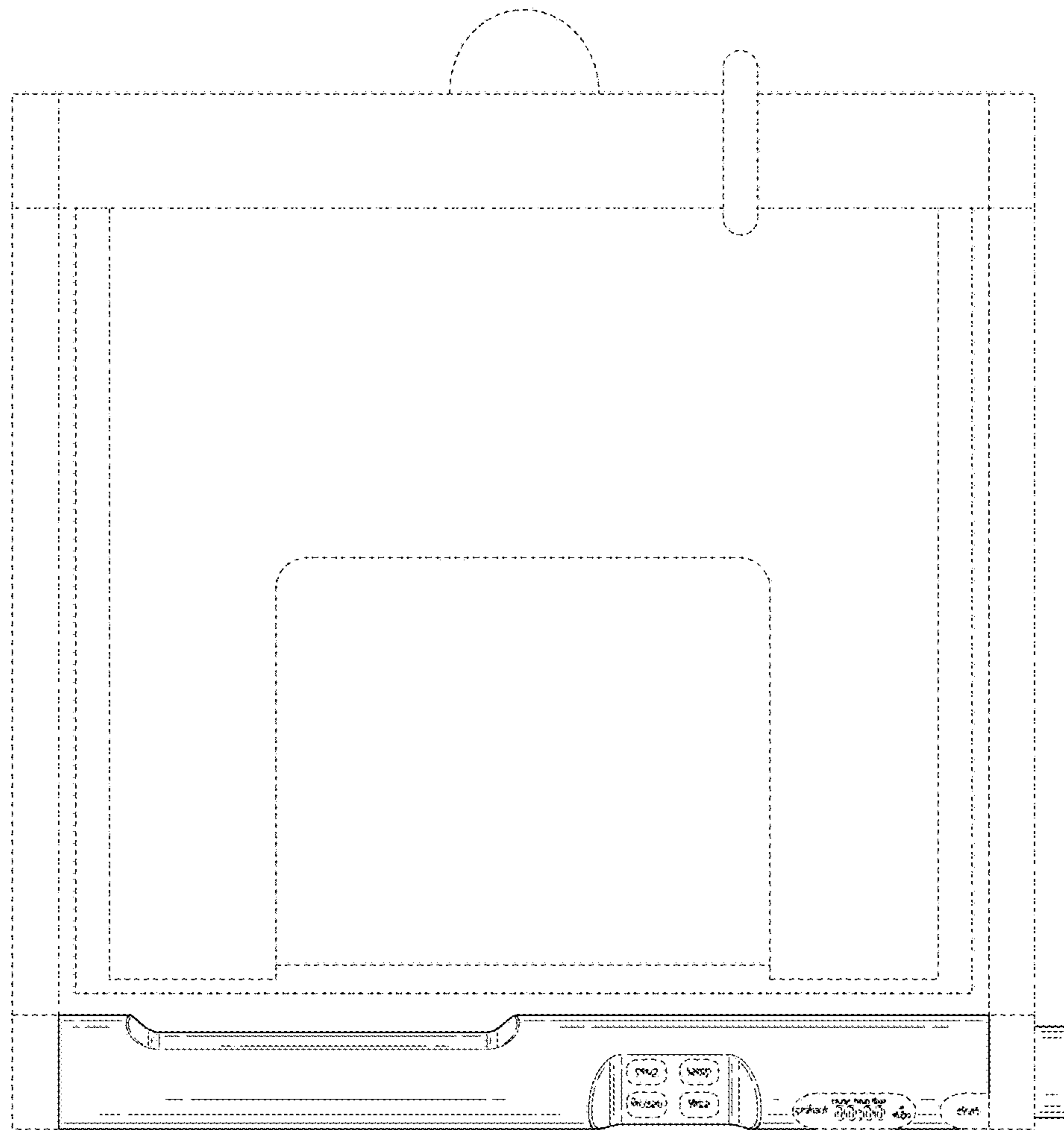


FIG. 6

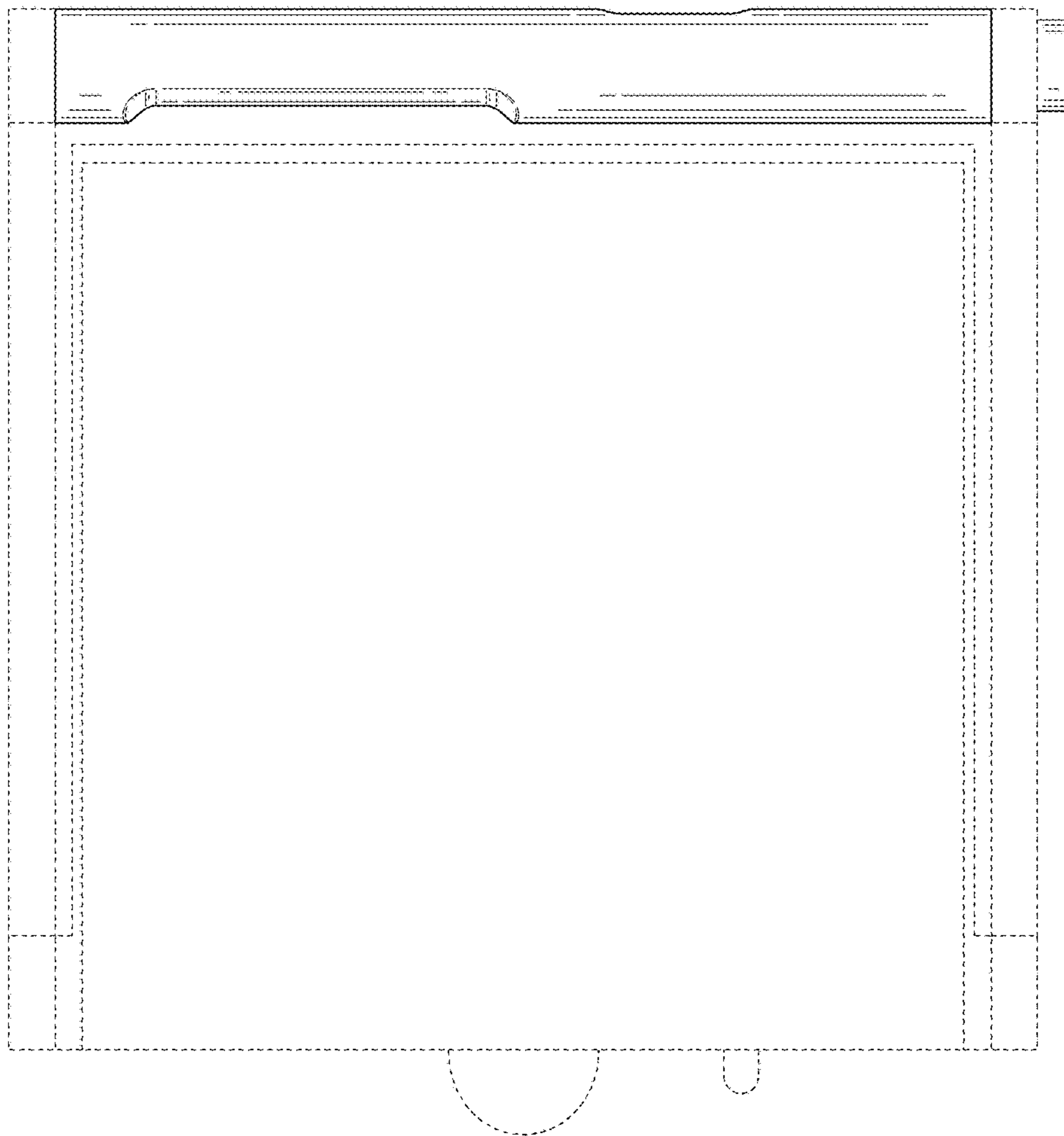


FIG. 7