

US00D849466S

(12) **United States Design Patent** (10) **Patent No.:** **US D849,466 S**
Formisano (45) **Date of Patent:** **** May 28, 2019**

(54) **WOOD-FIRED OVEN**
(71) Applicant: **Delivita Limited**, Upper Cumberworth, Huddersfield (GB)

D367,203 S * 2/1996 Sprouls D7/348
D483,603 S * 12/2003 Minidis D7/348
D577,947 S * 10/2008 Wimmer D7/350.1
(Continued)

(72) Inventor: **Joe Formisano**, Huddersfield (GB)
(73) Assignee: **DELIVITA LIMITED**, Huddersfield (GB)

OTHER PUBLICATIONS

“Little Britaly Mini Oven”, Little Britaly, Sep. 5, 2016. Previously Available at: <http://littlebritaly.com:80/sales/models.php>.
(Continued)

(**) Term: **15 Years**
(21) Appl. No.: **29/610,208**
(22) Filed: **Jul. 10, 2017**

Primary Examiner — Brett Miller
(74) Attorney, Agent, or Firm — Merchant & Gould P.C.

(30) **Foreign Application Priority Data**

(57) **CLAIM**

The ornamental design for a wood-fired oven, as shown and described.

Jan. 10, 2017 (GB) 6005412
Jan. 20, 2017 (GB) 1700388

DESCRIPTION

(51) **LOC (11) Cl.** **07-02**
(52) **U.S. Cl.**
USPC **D7/348**
(58) **Field of Classification Search**
USPC D7/332–337, 352–353, 362–367,
D7/402–409, 348, 346; D23/348
CPC A47J 37/07–37/0786; A47J 37/06; A47J
37/0611; A47J 37/0623–37/0641; A47J
37/067–37/0676; A47J 37/0658; F24B
1/18–1/28
See application file for complete search history.

FIG. 1 is an isometric view of a first embodiment of the wood-fired oven;
FIG. 2 is a top view thereof;
FIG. 3 is a bottom view thereof;
FIG. 4 is a front view thereof;
FIG. 5 is a rear view thereof;
FIG. 6 is a left side view thereof;
FIG. 7 is a right side view thereof;
FIG. 8 is an isometric view of a second embodiment of the wood-fired oven;
FIG. 9 is a top view thereof;
FIG. 10 is a bottom view thereof;
FIG. 11 is a front view thereof;
FIG. 12 is a rear view thereof;
FIG. 13 is a left side view thereof;
FIG. 14 is a right side view thereof;
FIG. 15 is a cross-sectional view taken along line 15-15 in FIG. 9; and,
FIG. 16 is a cross-sectional view taken along line 16-16 in FIG. 9.

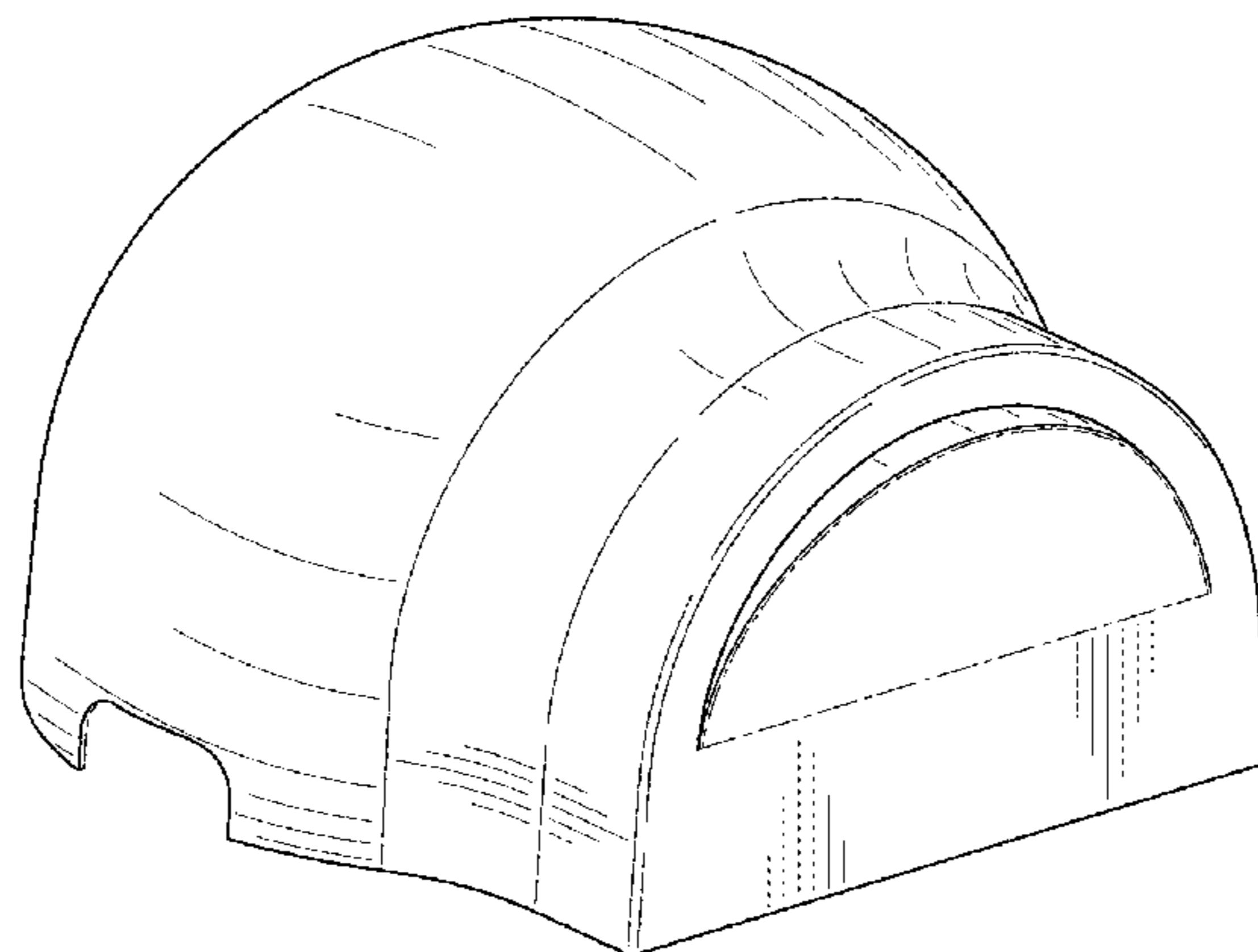
(56) **References Cited**

U.S. PATENT DOCUMENTS

3,220,400 A * 11/1965 Yager F24B 1/181
126/25 R
3,339,540 A * 9/1967 Kreider F24B 1/181
126/500
D222,569 S * 11/1971 Ford D23/350
D344,871 S * 3/1994 Keller D7/348

The dot-dash lines in the Figures represent boundaries of the claimed design and form no part thereof.

1 Claim, 9 Drawing Sheets



(56)

References Cited

U.S. PATENT DOCUMENTS

D640,499 S * 6/2011 King D7/348
D642,855 S * 8/2011 de Paula D7/333
9,506,655 B2 * 11/2016 Pieri F24B 1/24
D825,727 S * 8/2018 Hunter, III D23/348
D825,728 S * 8/2018 Hunter, III D23/348
2001/0035176 A1 * 11/2001 Bush, III A47J 37/0704
126/25 R
2003/0019490 A1 * 1/2003 Buffington F24B 1/18
126/8
2007/0221191 A1 * 9/2007 O'Brien A47J 37/0713
126/25 R
2015/0047512 A1 * 2/2015 Marra A47J 37/0647
99/339

OTHER PUBLICATIONS

Perry Brauner, "The Uuni 2S Is a Wonderful Wood-Burning Pizza Oven for the Outdoors", Gear Diary, Apr. 24, 2016. Available at: <https://geardiary.com/2016/04/24/the-uuni-2s-is-a-wonderful-wood-burning-pizza-oven-for-the-outdoors/>.

* cited by examiner

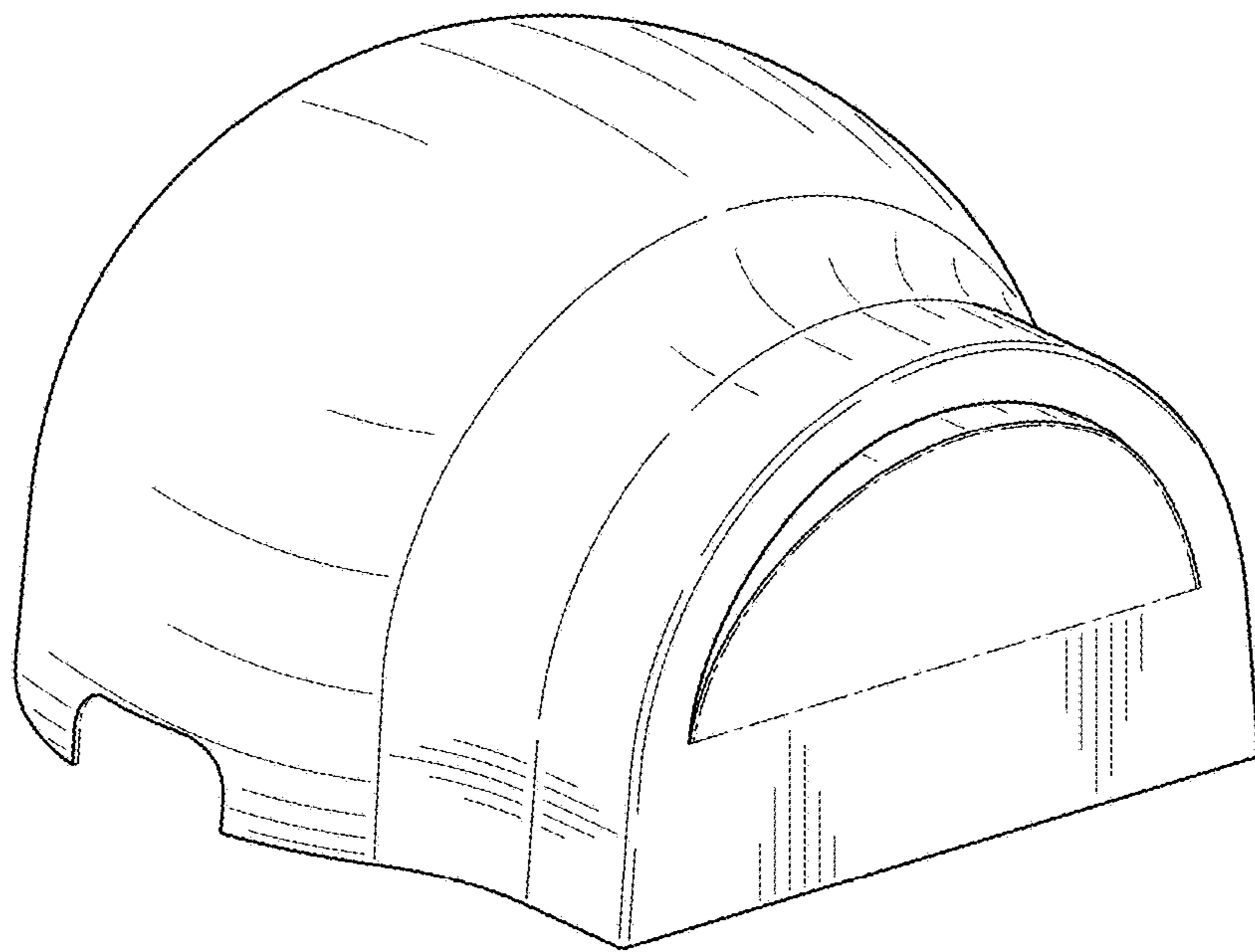


FIG. 1

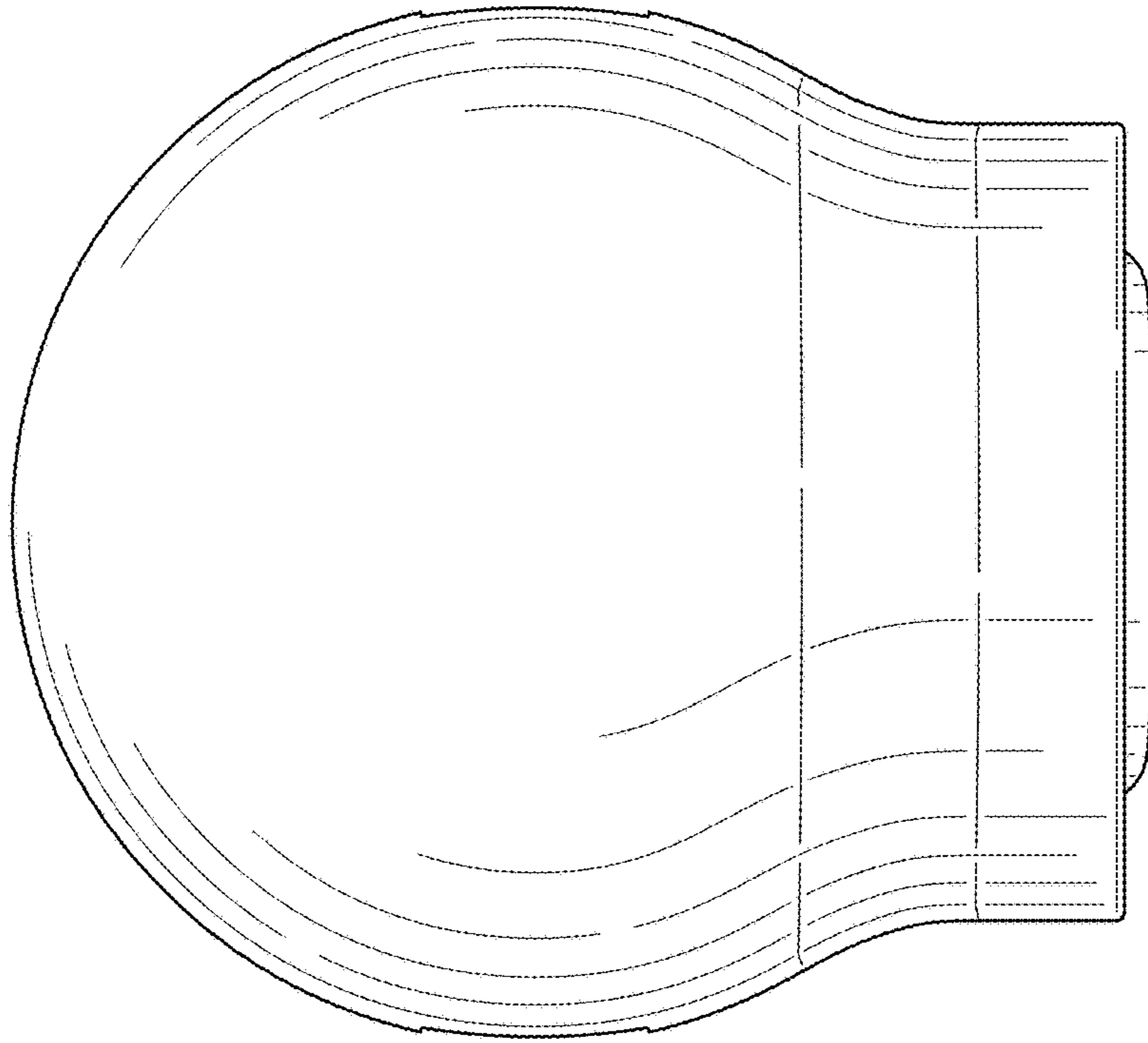


FIG. 2

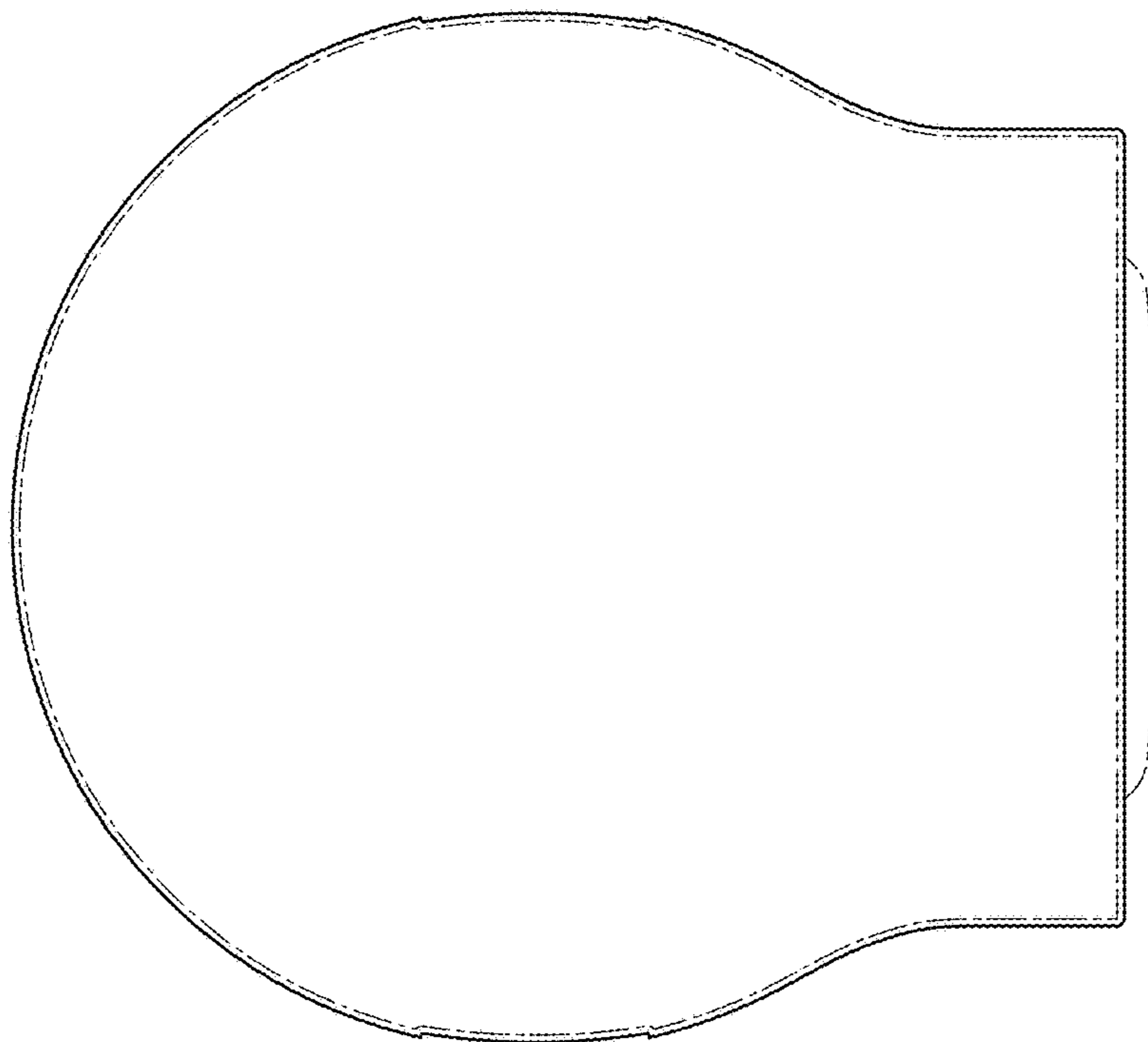


FIG. 3

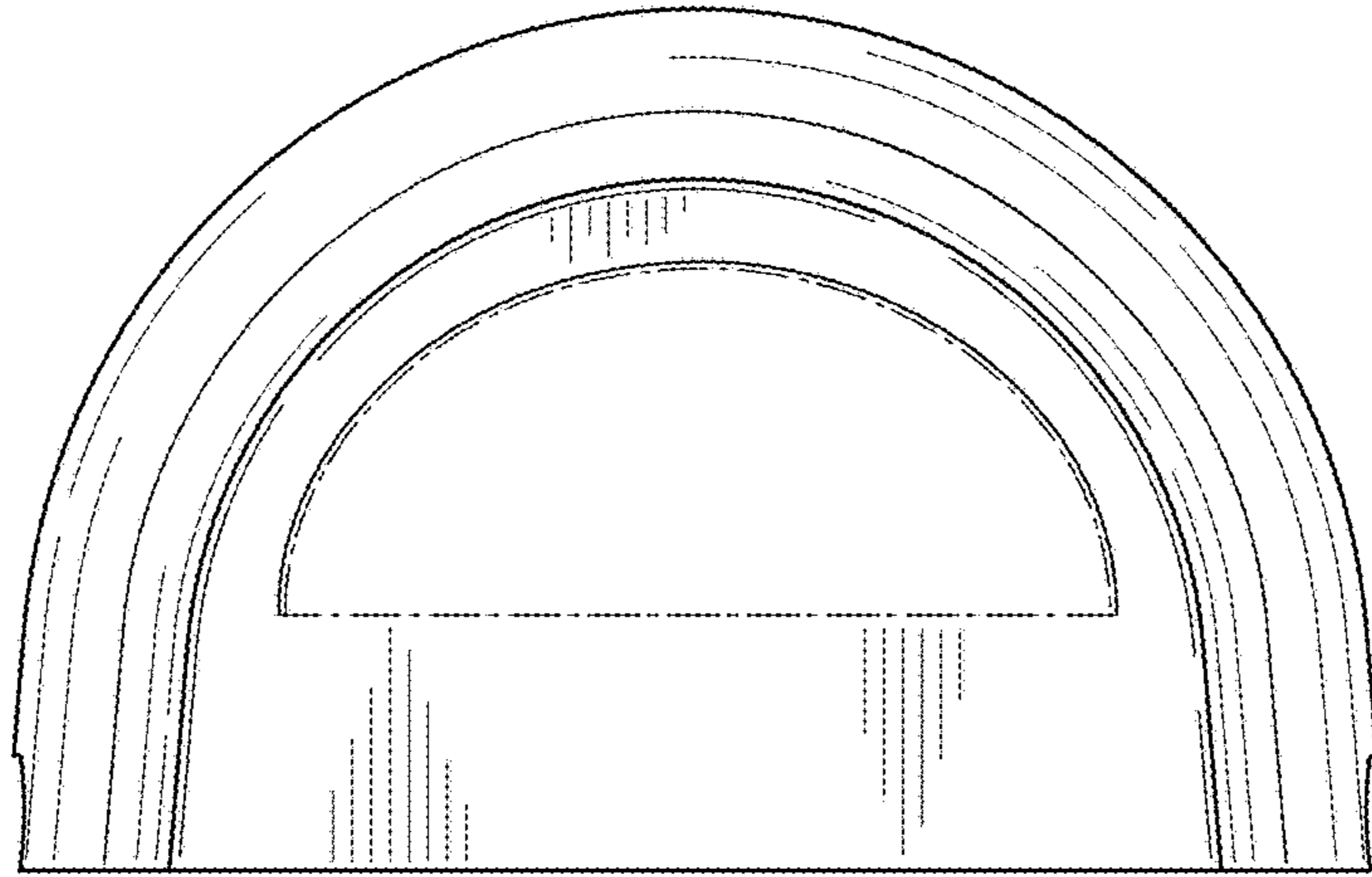


FIG. 4

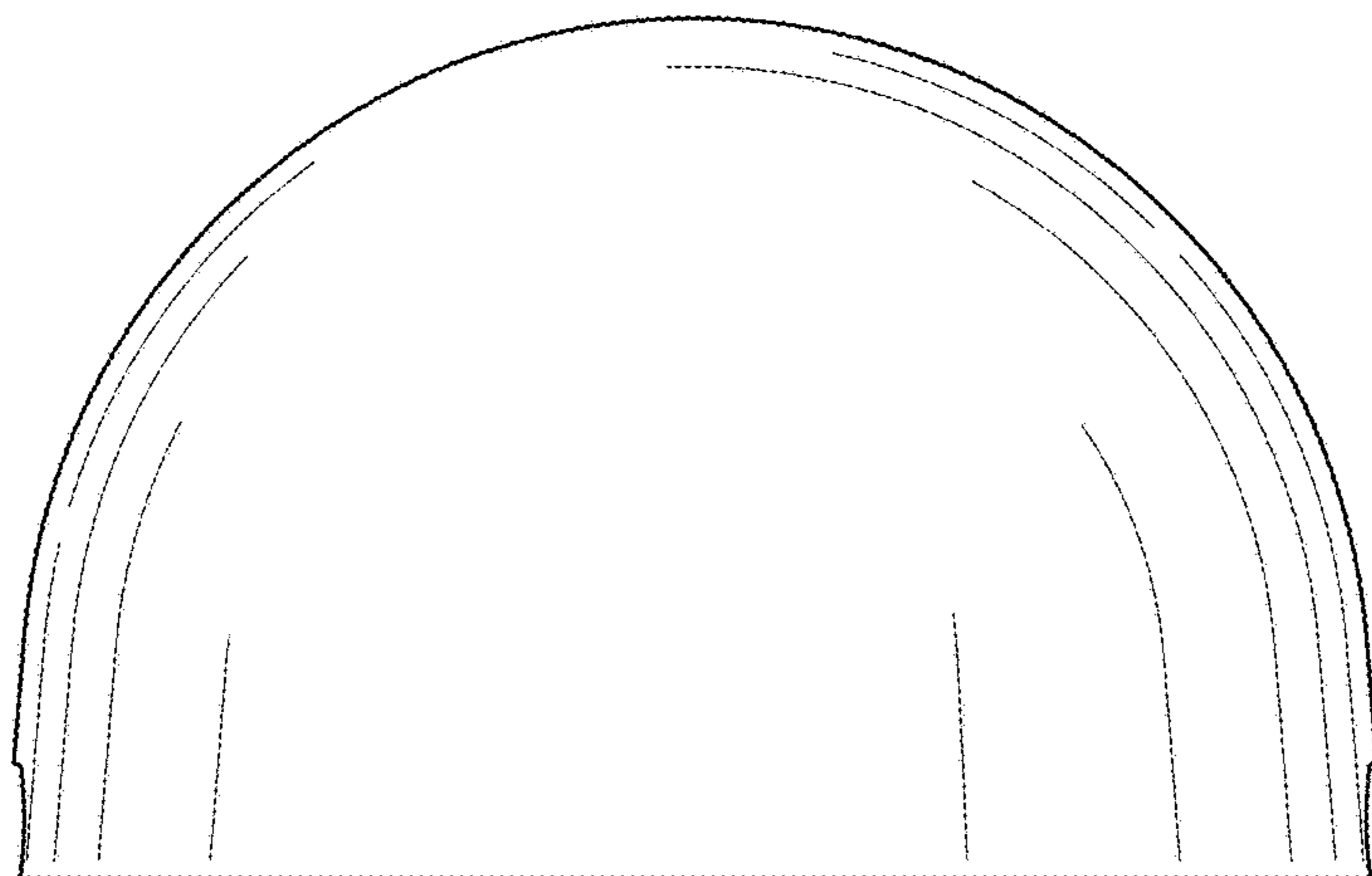


FIG. 5

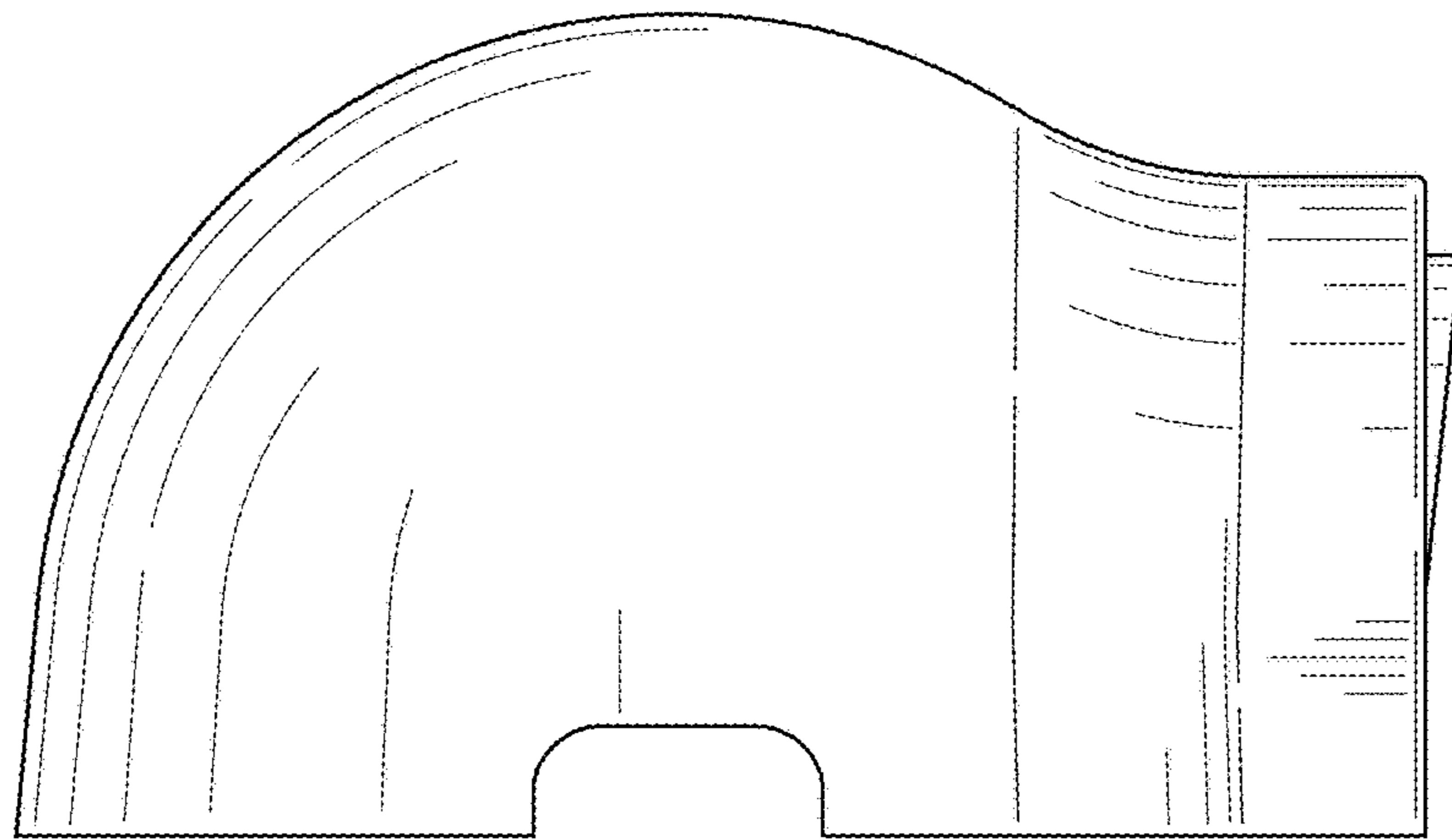


FIG. 6

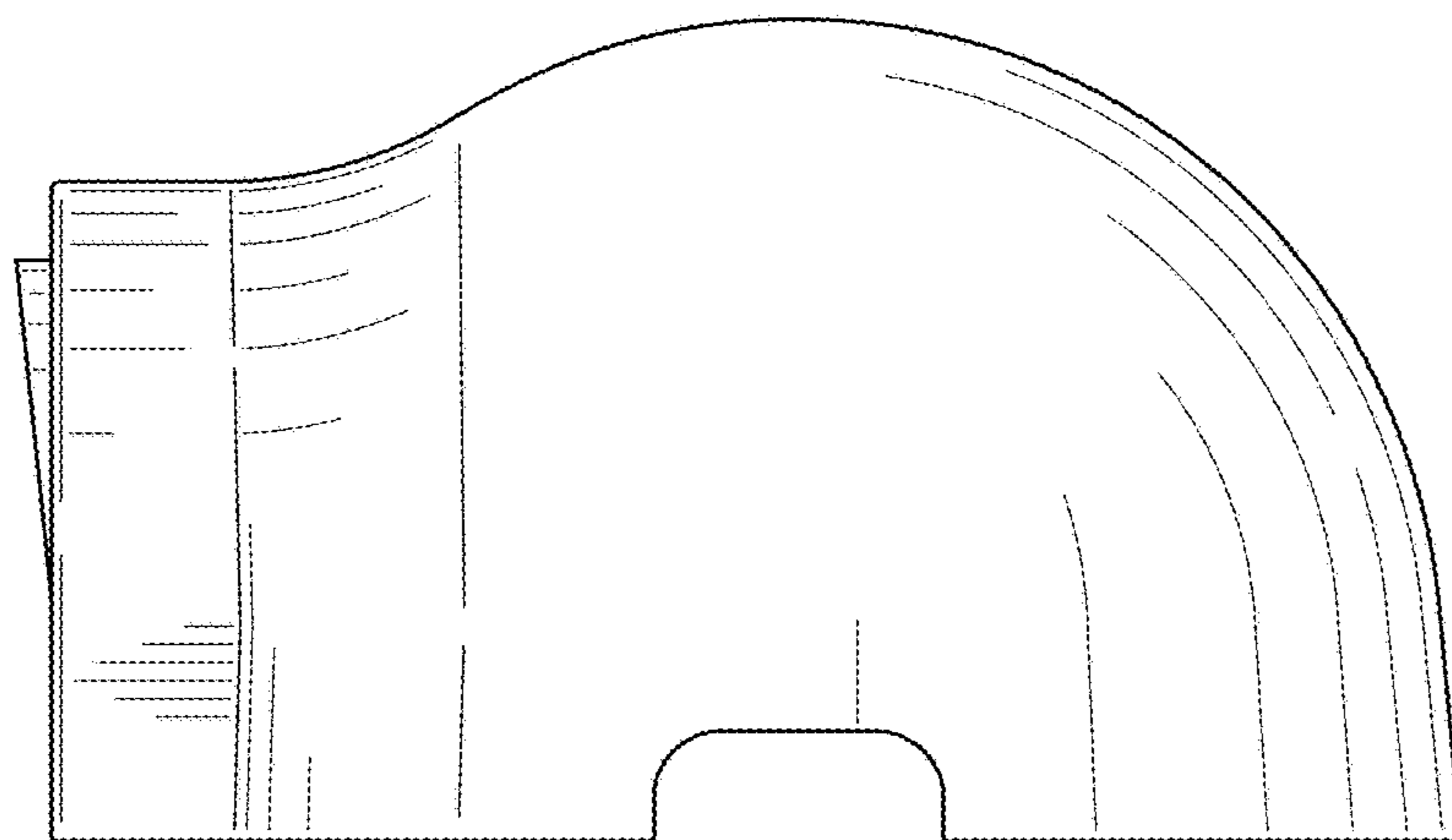


FIG. 7

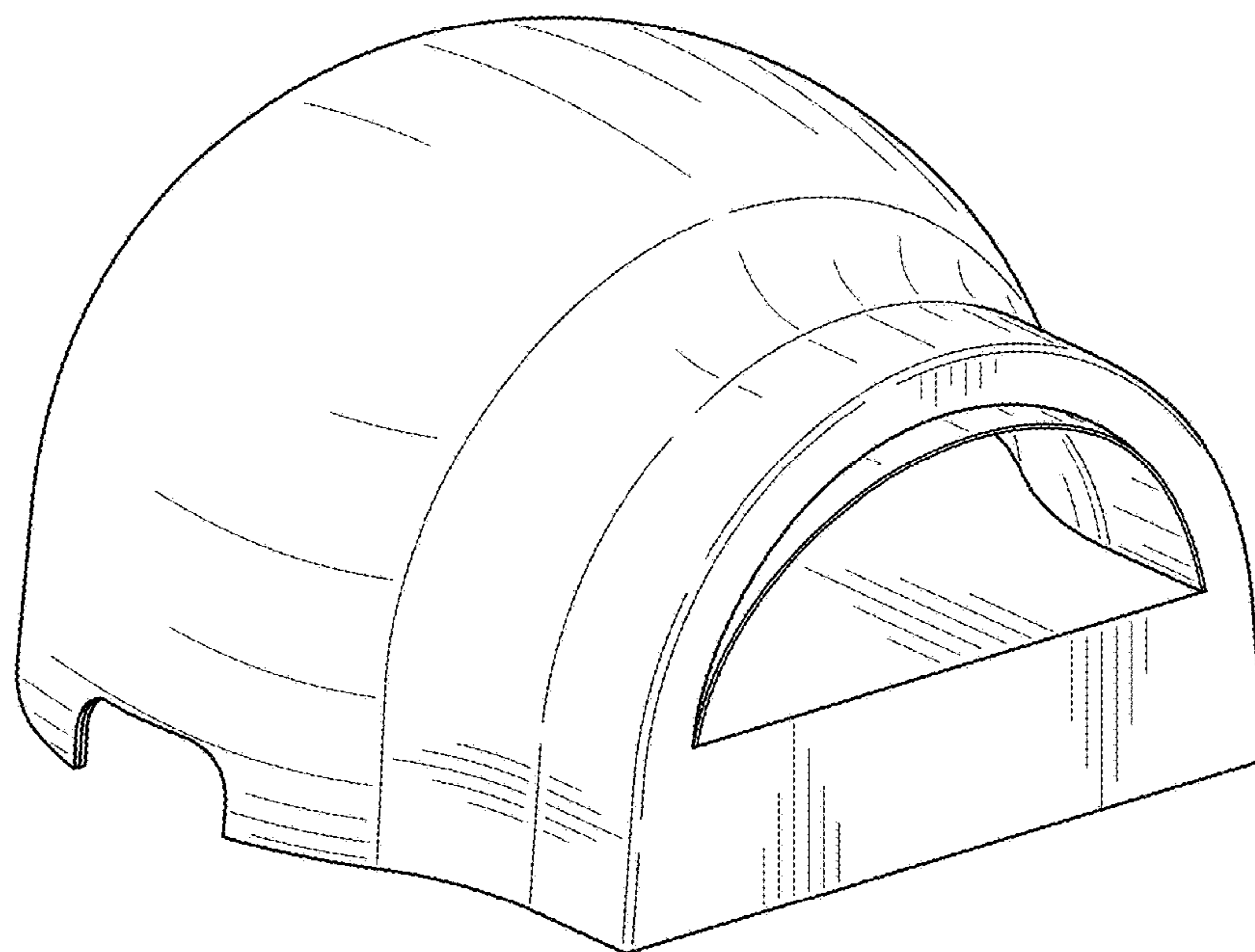


FIG. 8

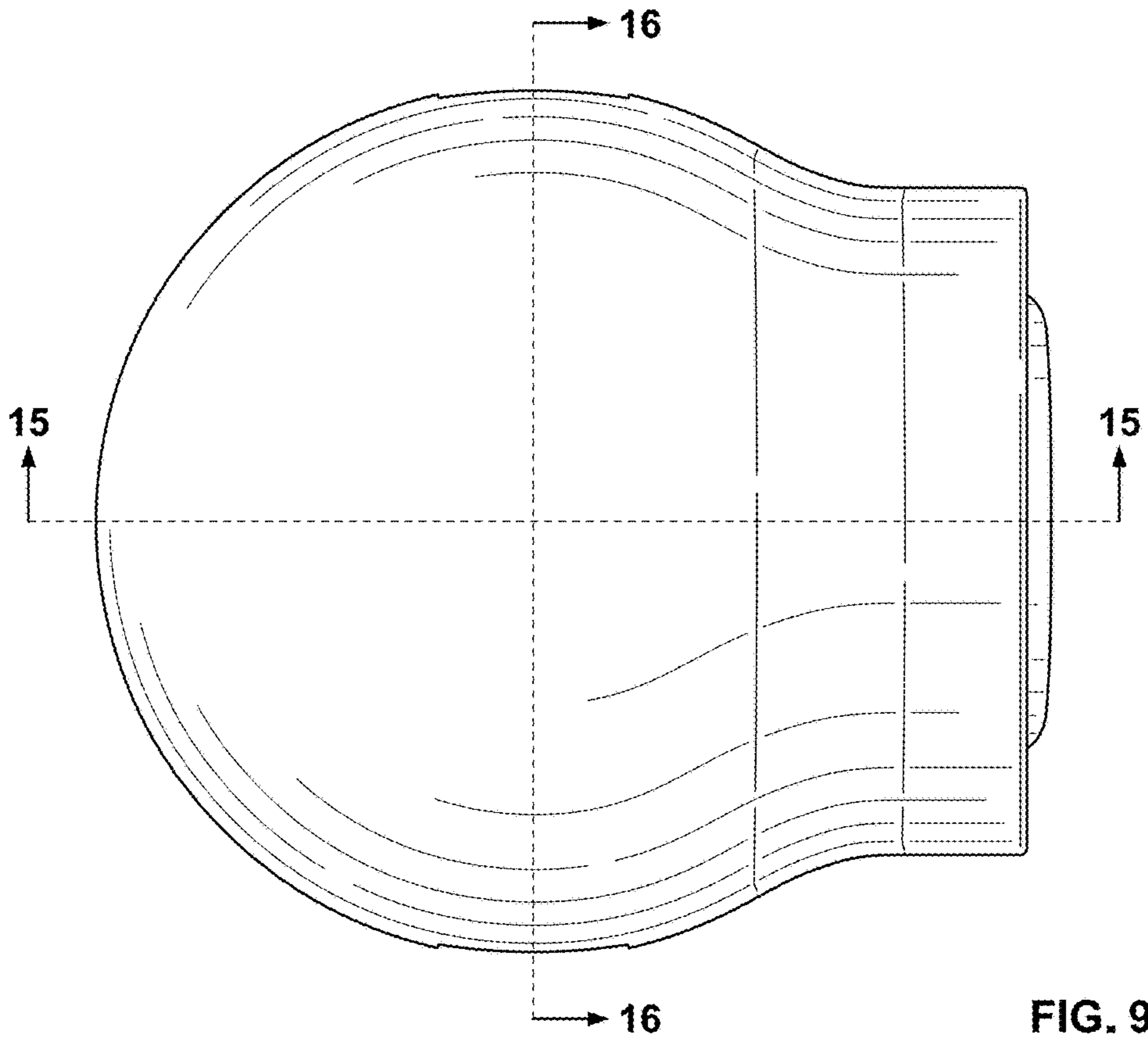


FIG. 9

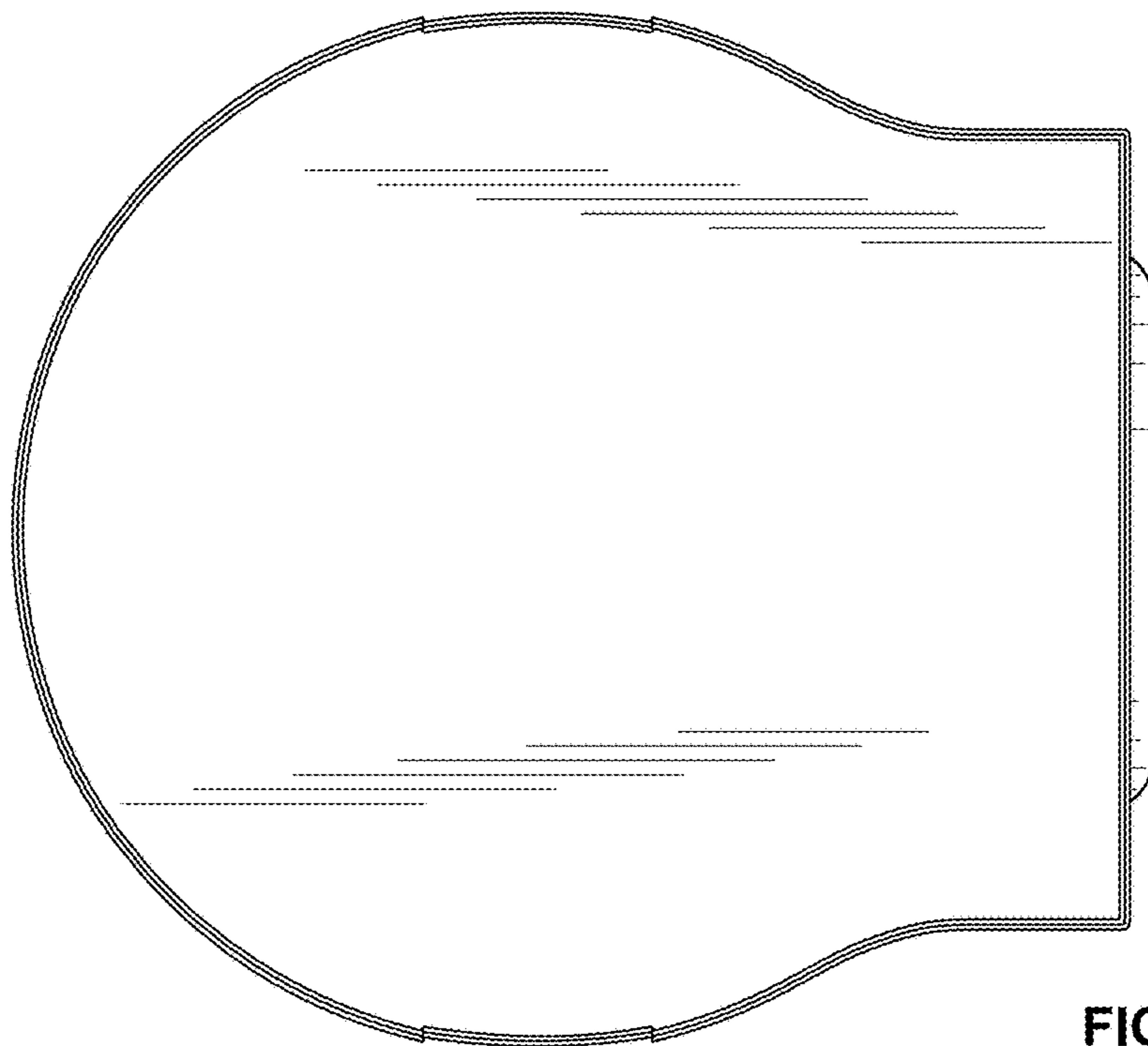


FIG. 10

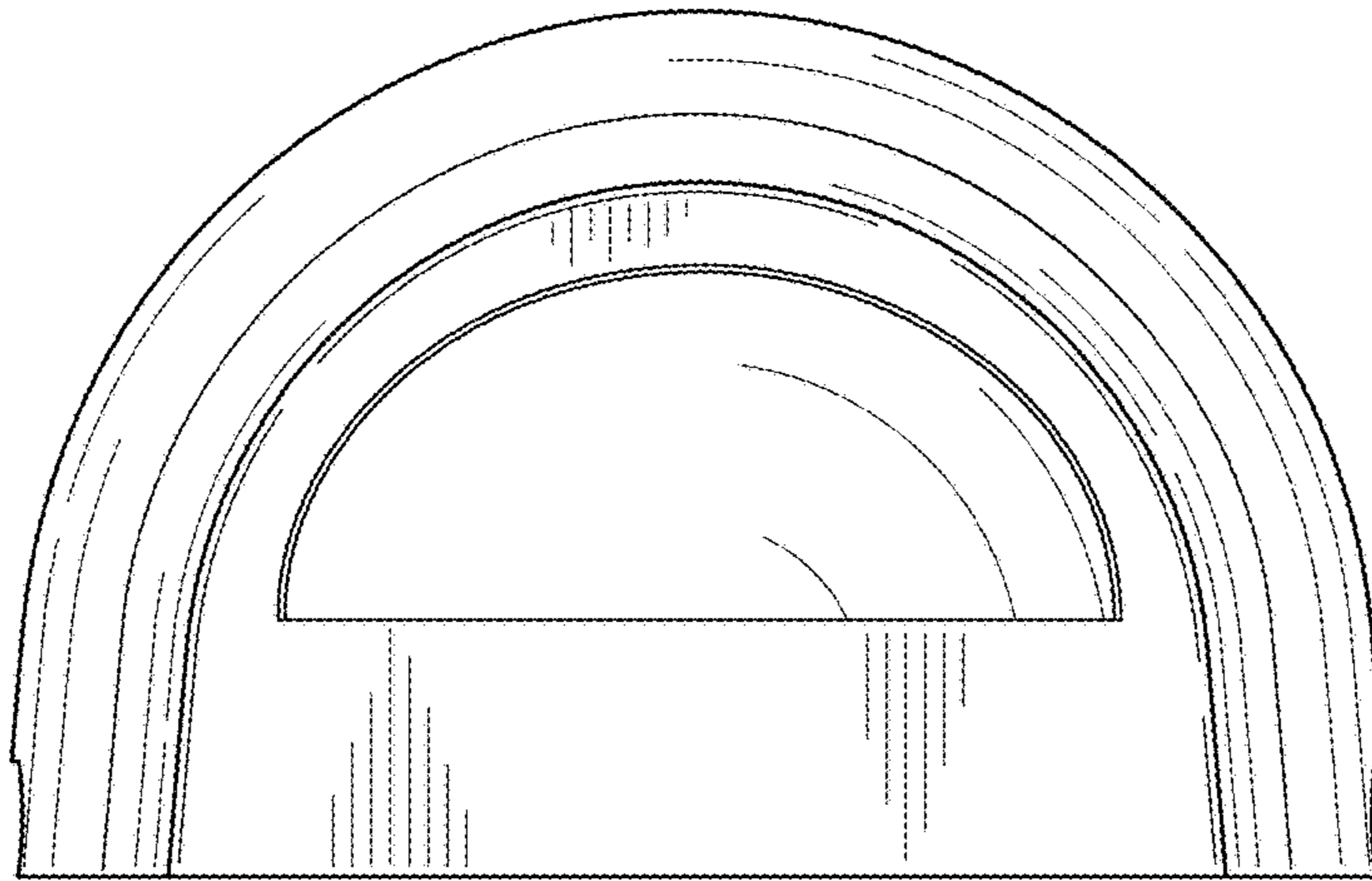


FIG. 11

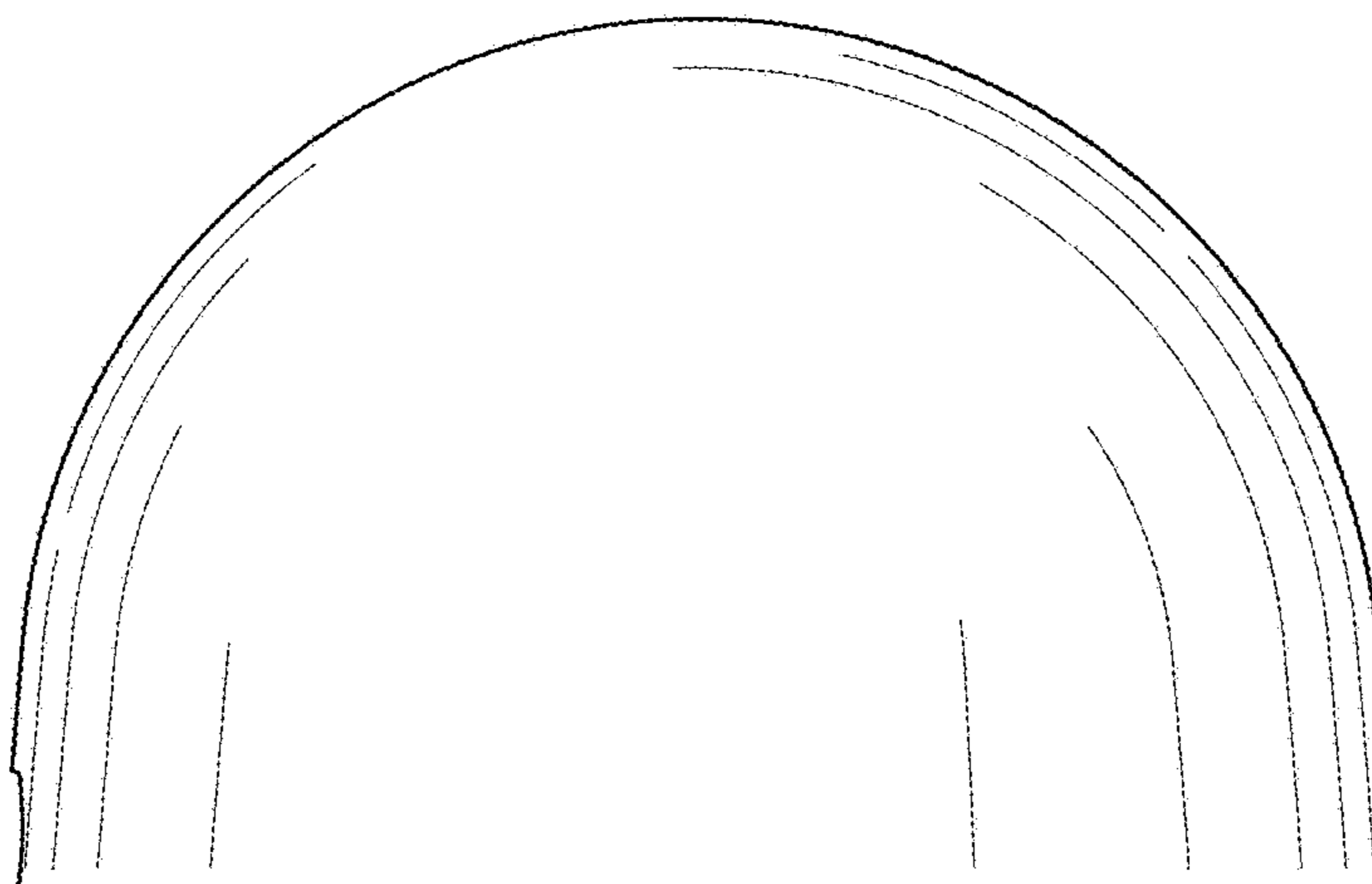


FIG. 12

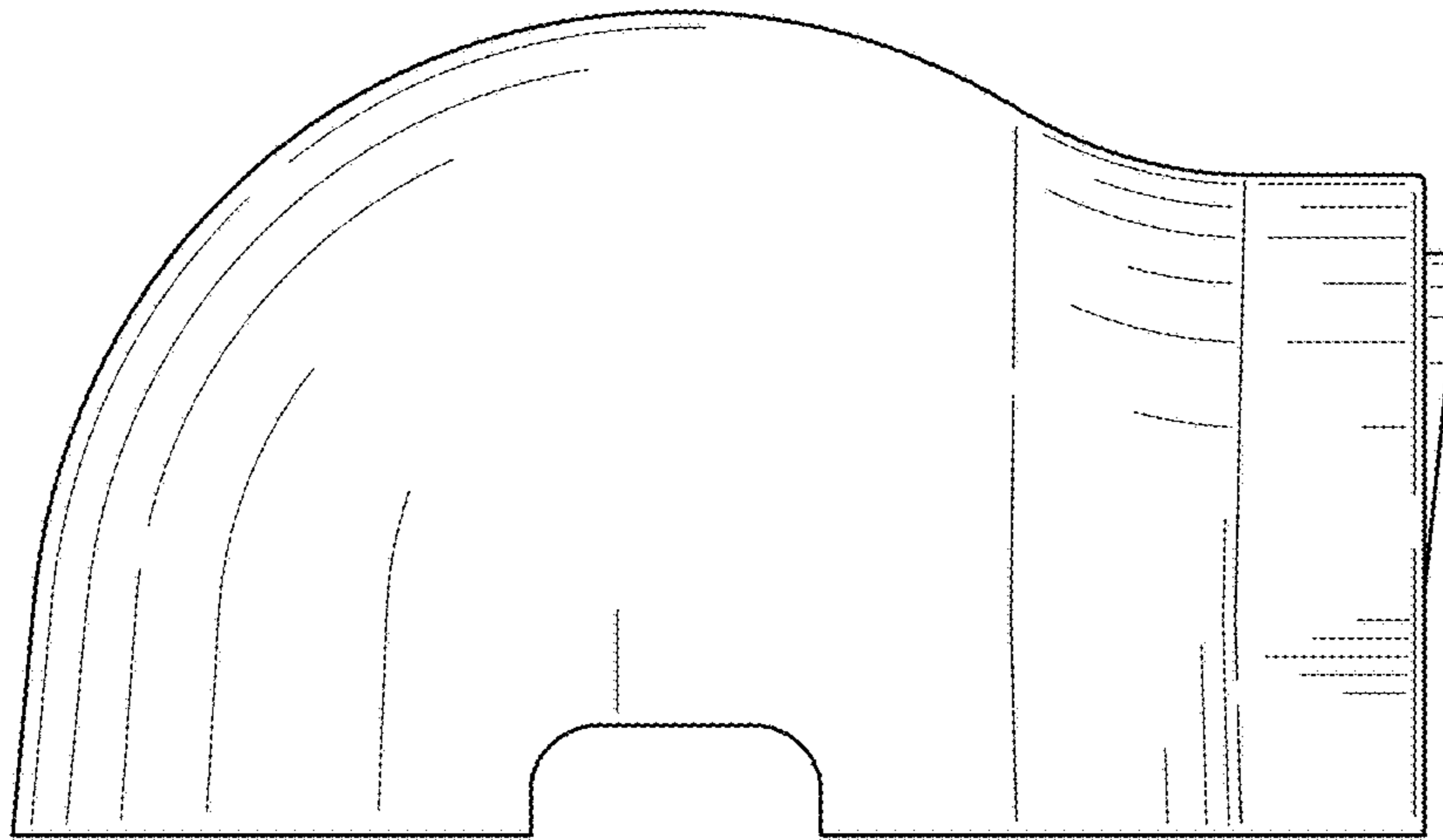


FIG. 13

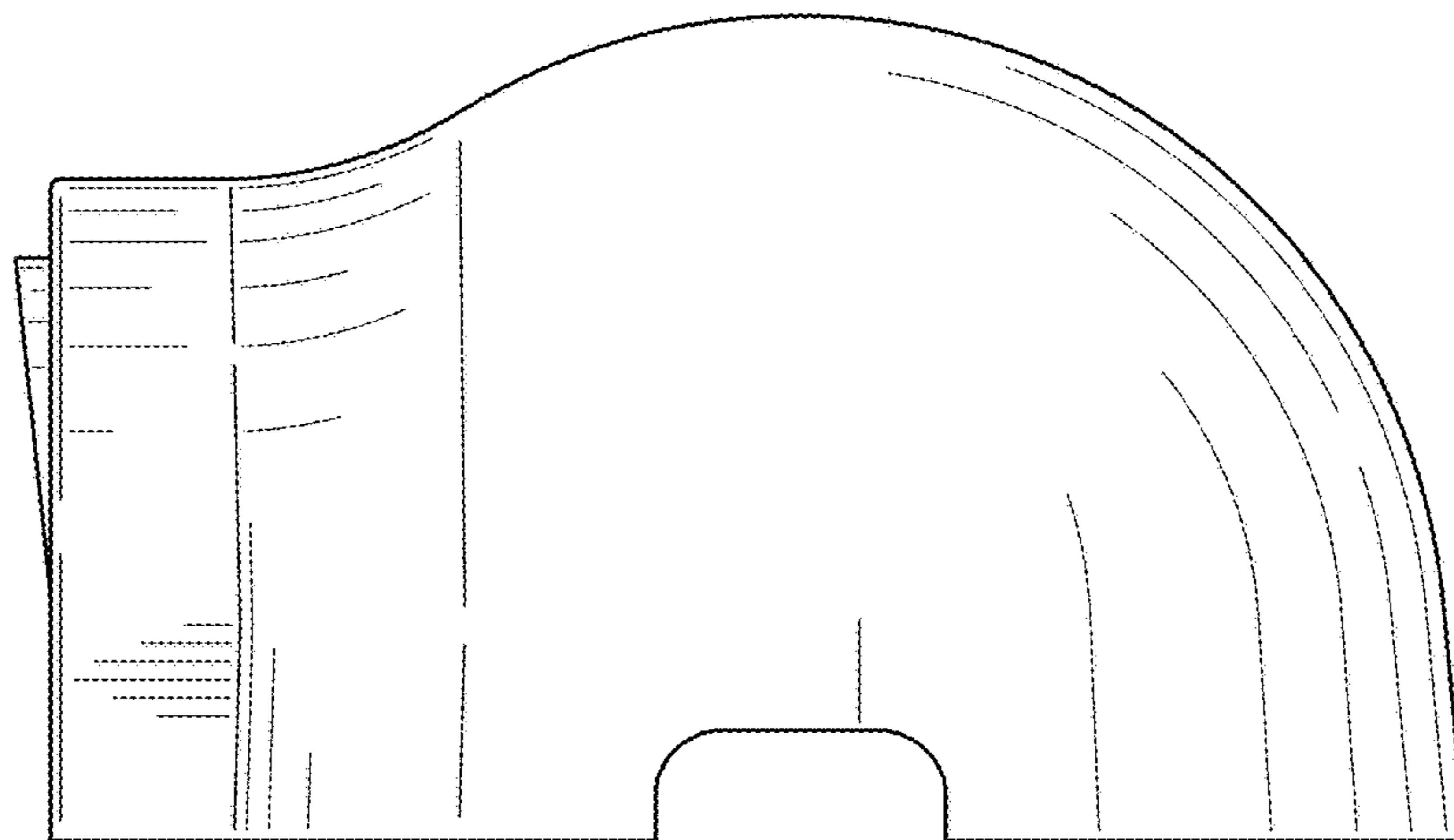


FIG. 14

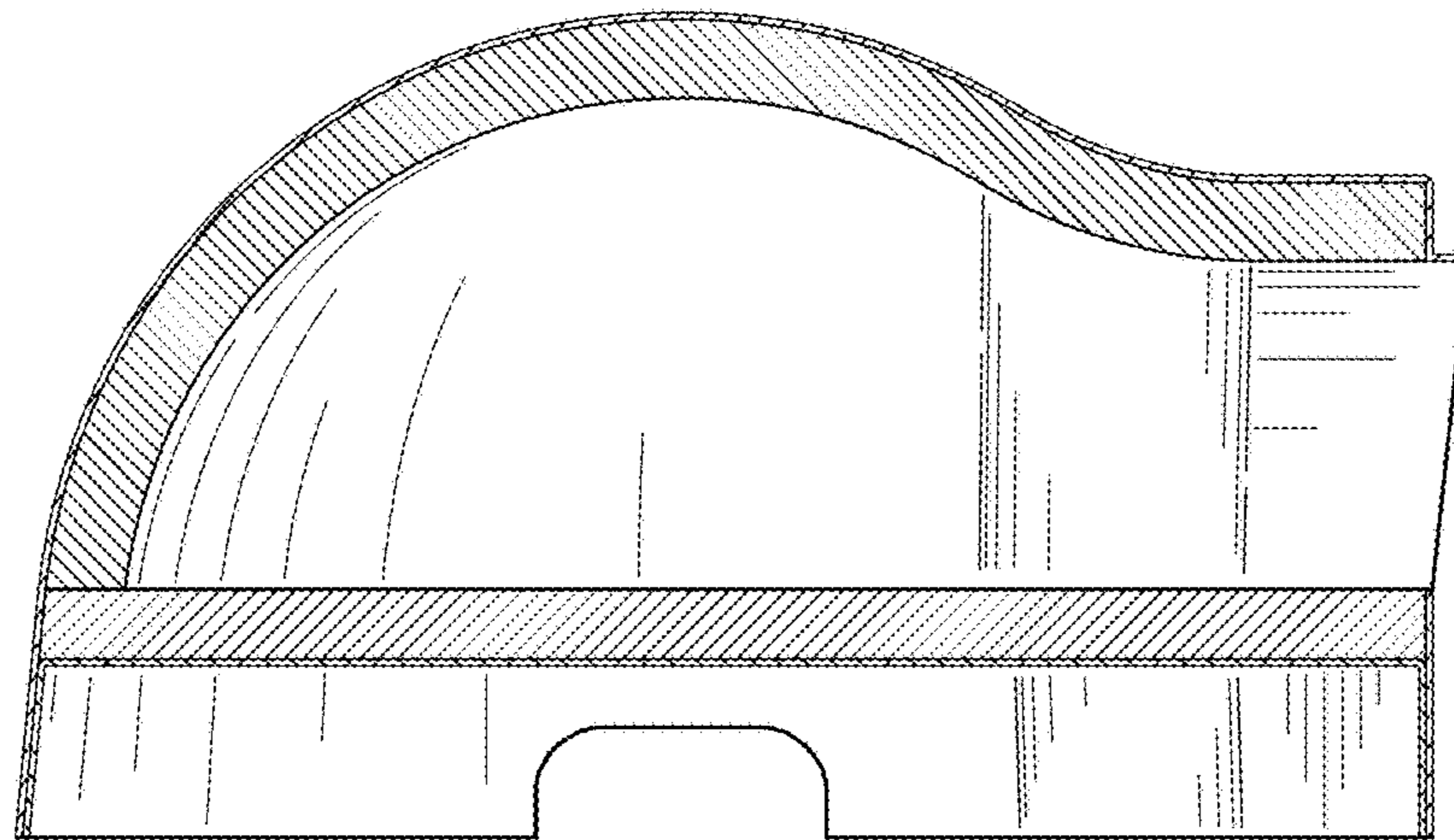


FIG. 15

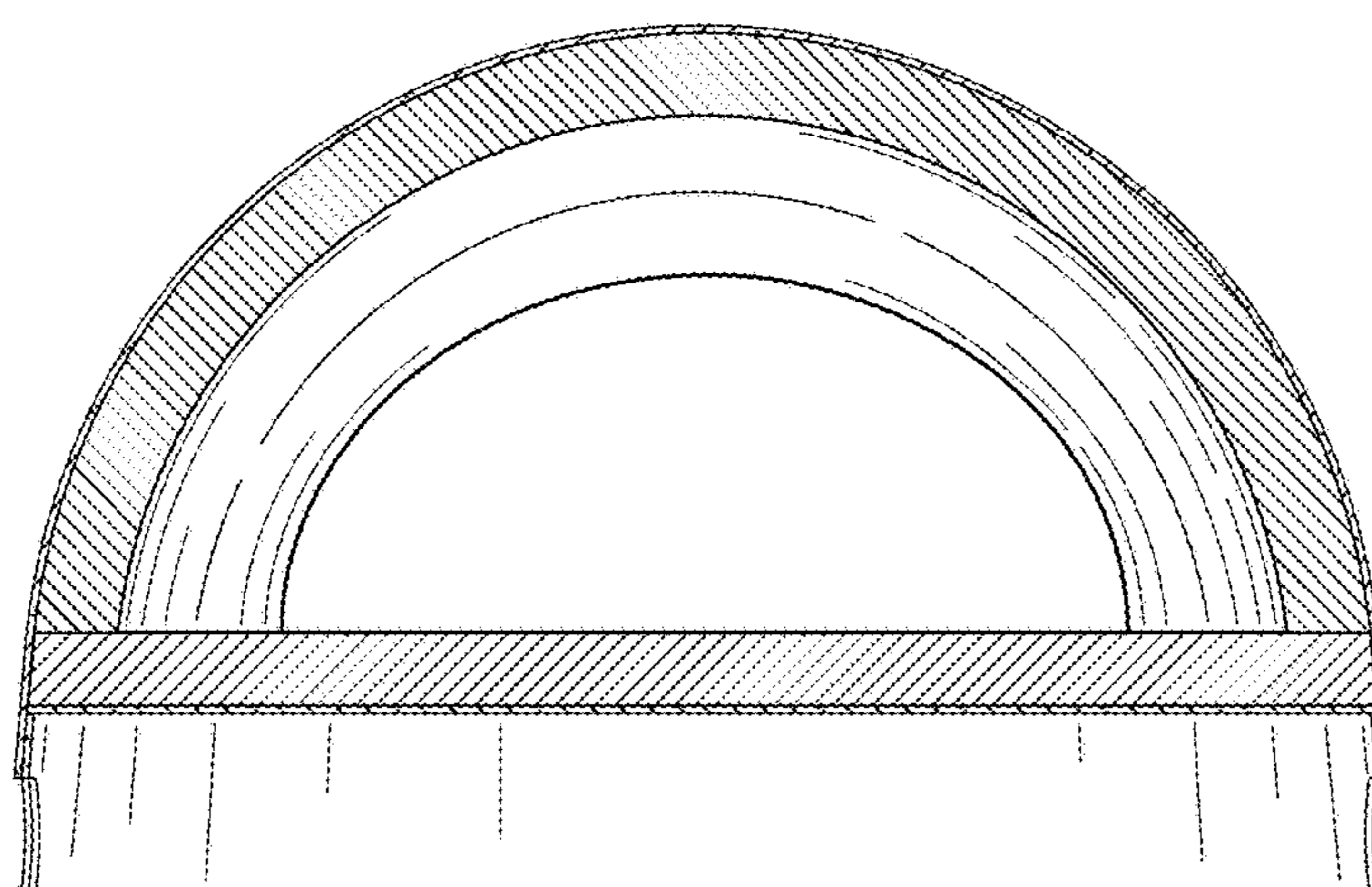


FIG. 16