



US00D849464S

(12) **United States Design Patent** (10) **Patent No.:** **US D849,464 S**
McConnell et al. (45) **Date of Patent:** **** May 28, 2019**

- (54) **COFFEE MAKER** 6,586,710 B2 * 7/2003 Williamson A47J 31/445
219/432
- (71) Applicant: **WHIRLPOOL CORPORATION,** D496,213 S * 9/2004 Midden D7/309
Benton Harbor, MI (US) D502,841 S * 3/2005 Santer D7/309
D550,499 S * 9/2007 Argabrite D7/309
D590,652 S * 4/2009 Cesaroni D7/309
- (72) Inventors: **John W. McConnell,** St. Joseph, MI D677,510 S * 3/2013 Tetreault D7/309
(US); **Ben C. Shao,** Clarendon Hills, IL D721,531 S * 1/2015 Krasne D7/309
(US); **Zhao Yi Yin,** Benton Harbor, MI D730,674 S * 6/2015 De'Longhi D7/309
(US) D742,680 S * 11/2015 Burrows D7/309
D760,009 S * 6/2016 Moammer D7/309
D812,952 S * 3/2018 Fedorak D7/306
D823,041 S * 7/2018 Bazzicalupo D7/309
- (73) Assignee: **Whirlpool Corporation,** Benton Harbor, MI (US) 2014/0013958 A1 * 1/2014 Krasne A47J 31/407
99/284

(**) Term: **15 Years**

* cited by examiner

(21) Appl. No.: **29/639,760**

Primary Examiner — Marianne N Pandozzi

(22) Filed: **Mar. 8, 2018**

(74) *Attorney, Agent, or Firm* — Price Heneveld LLP

Related U.S. Application Data

(63) Continuation-in-part of application No. 29/618,139, filed on Sep. 19, 2017.

(51) **LOC (11) Cl.** **07-01**

(52) **U.S. Cl.**
USPC **D7/310; D7/309; D7/311**

(58) **Field of Classification Search**
USPC D7/300, 309–311, 306–308, 305, 355,
D7/362, 365, 367, 397, 398; 222/146.6,
222/185.1, 135; 99/295, 273, 304, 288,
99/279, 307, 283, 294, 300
CPC A47J 31/46; A47J 31/407; A47J 31/50;
A47J 31/18; A47J 31/00; A47J 27/04;
A47J 31/0573; A47J 31/057; A47J
31/0642; A47J 31/3628; A47J 31/4407;
A47J 31/445

See application file for complete search history.

(56) **References Cited**

U.S. PATENT DOCUMENTS

- D300,596 S * 4/1989 Eugster D7/309
- D350,871 S * 9/1994 Littmann D7/309

(57) **CLAIM**

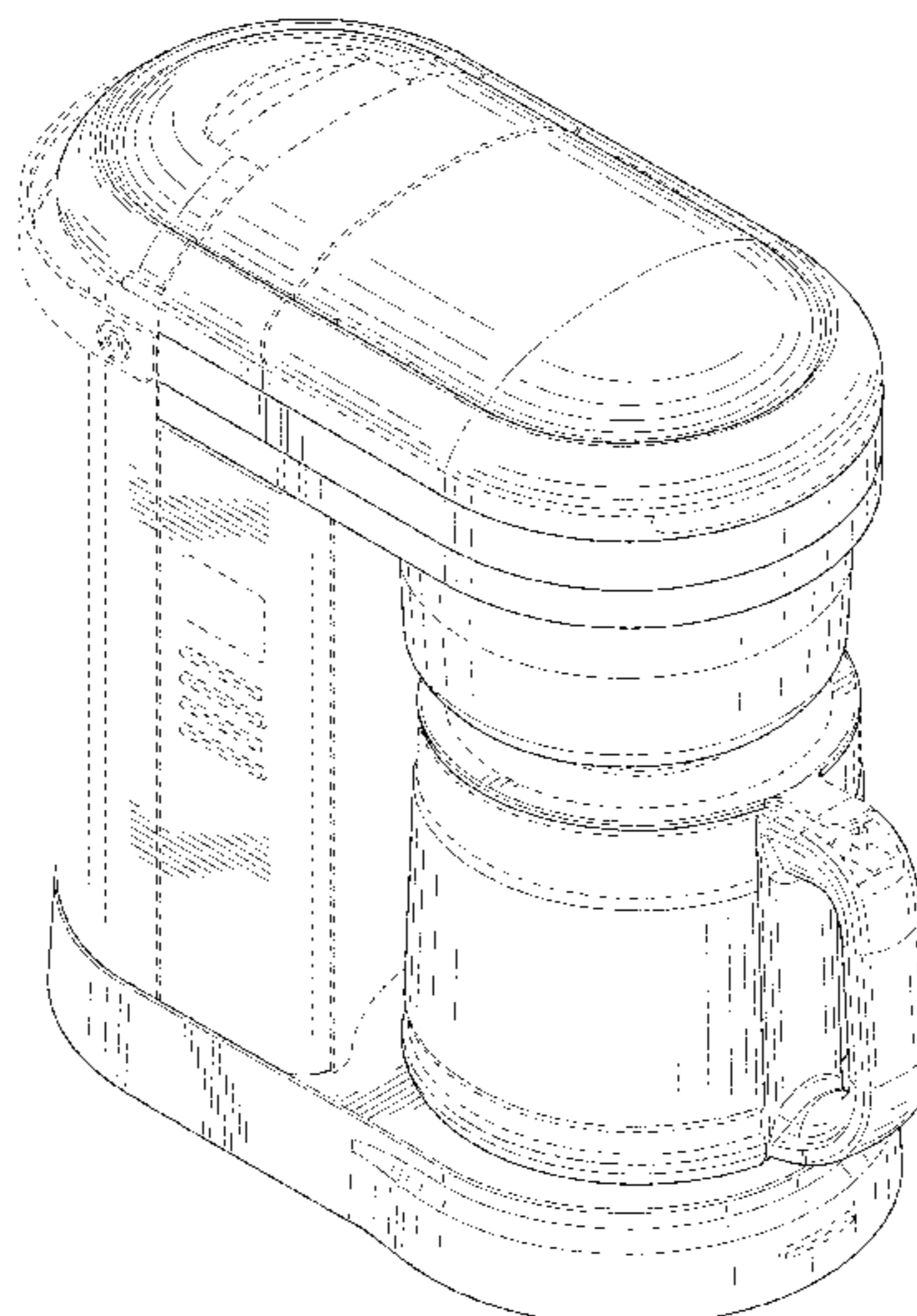
The ornamental design for a coffee maker, as shown and described.

DESCRIPTION

FIG. 1 is a front perspective view of a coffee maker according to our design;
 FIG. 2 is a front elevation view thereof;
 FIG. 3 is a back elevation view thereof;
 FIG. 4 is a left side elevation view thereof;
 FIG. 5 is a right side elevation view thereof;
 FIG. 6 is a top plan view thereof; and,
 FIG. 7 is a bottom plan view thereof.

The portions of the coffee maker shown in evenly-spaced broken line form no part of the claimed design.
 Dash-dot broken lines adjacent un-shaded areas form no part of the claimed design and represent bounds of the claimed design.

1 Claim, 7 Drawing Sheets



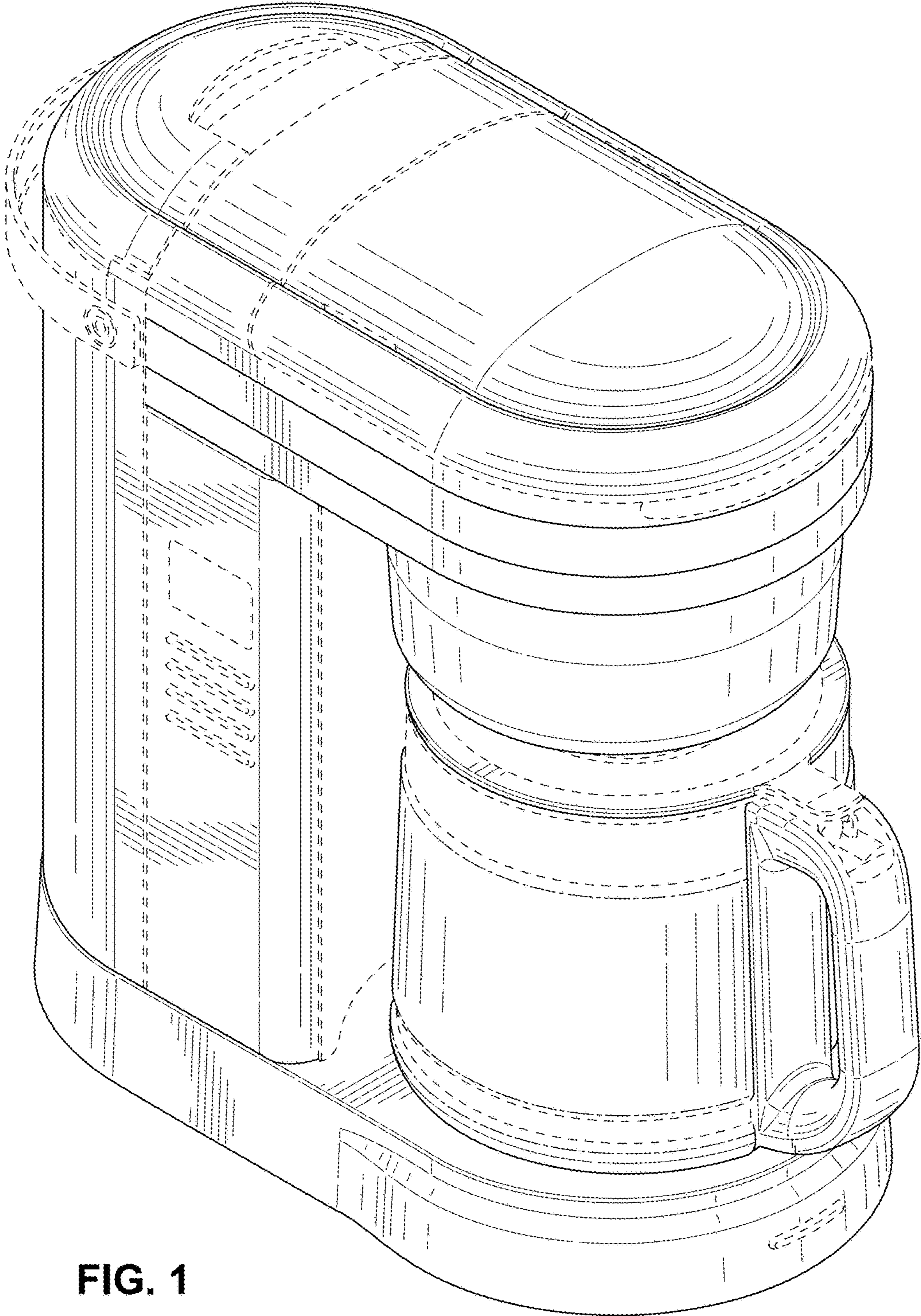


FIG. 1

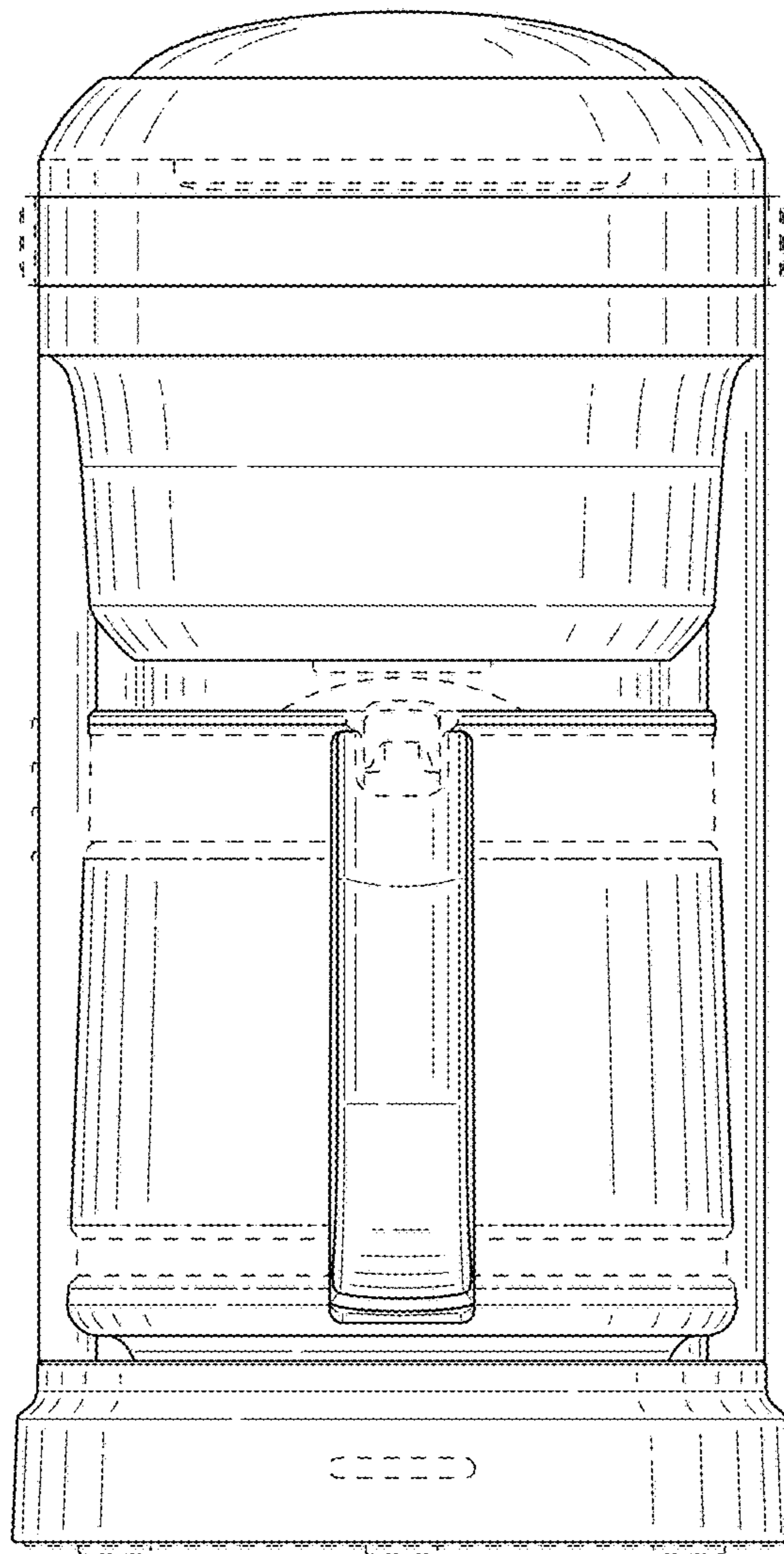


FIG. 2

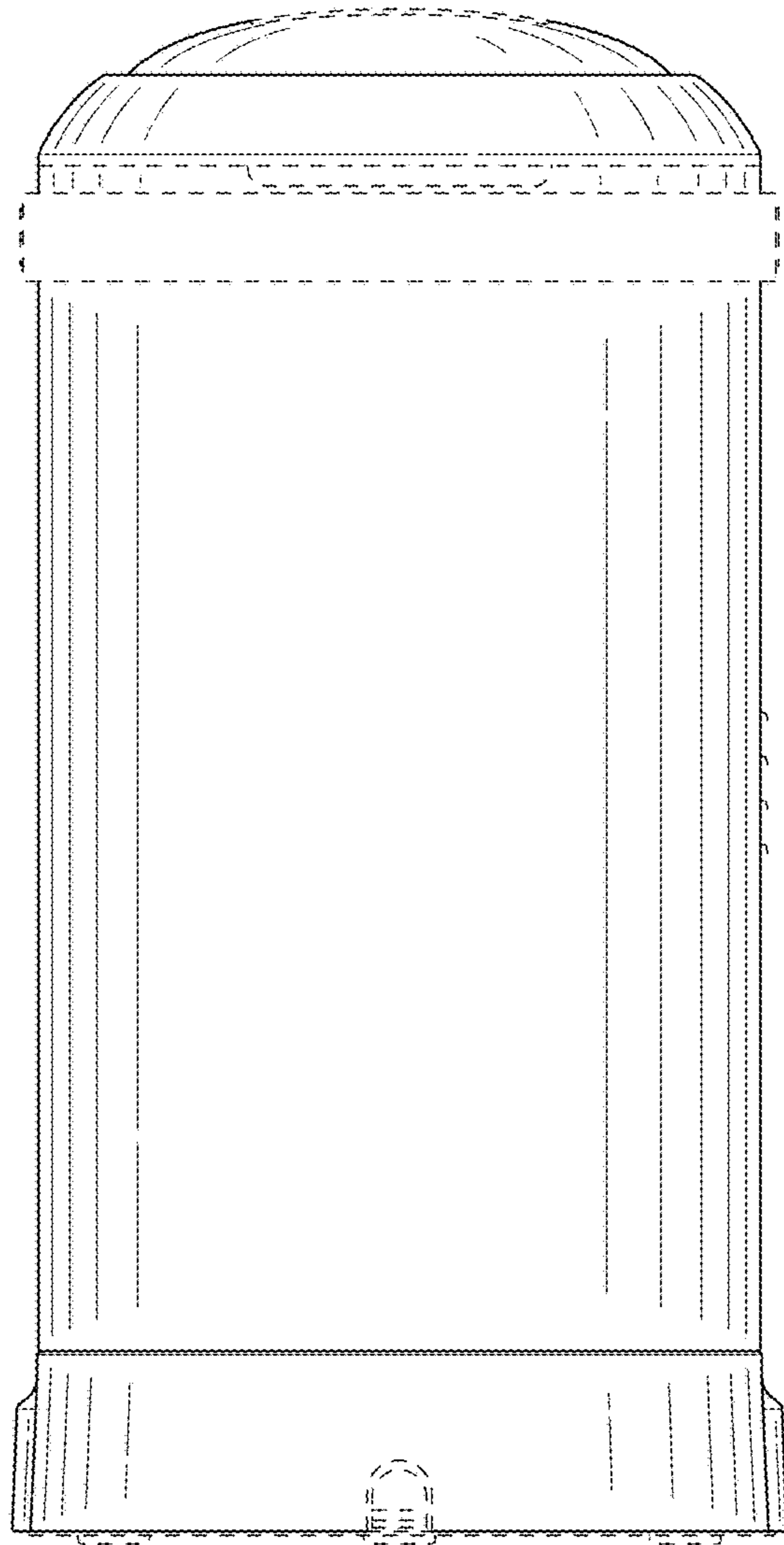


FIG. 3

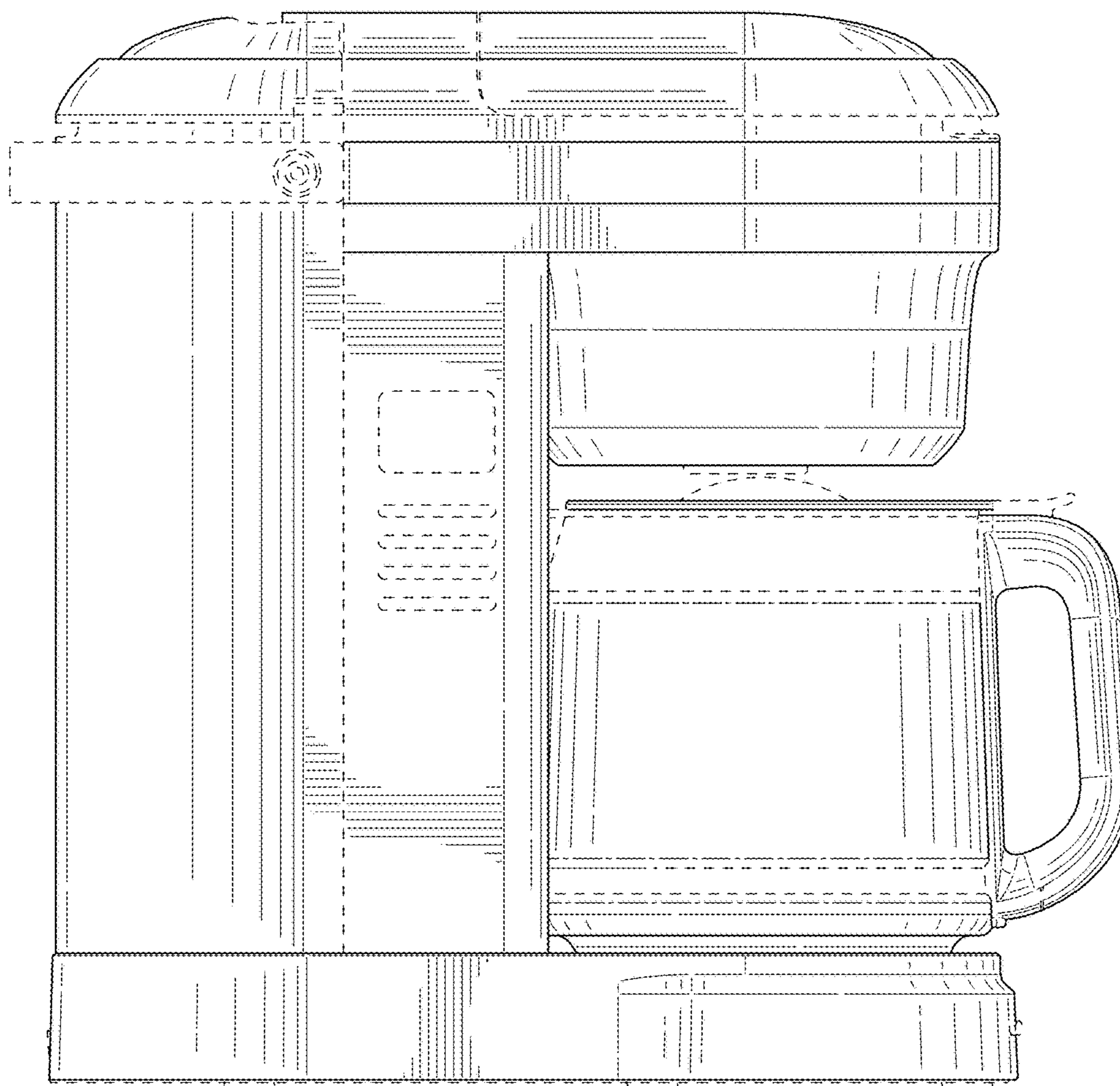


FIG. 4

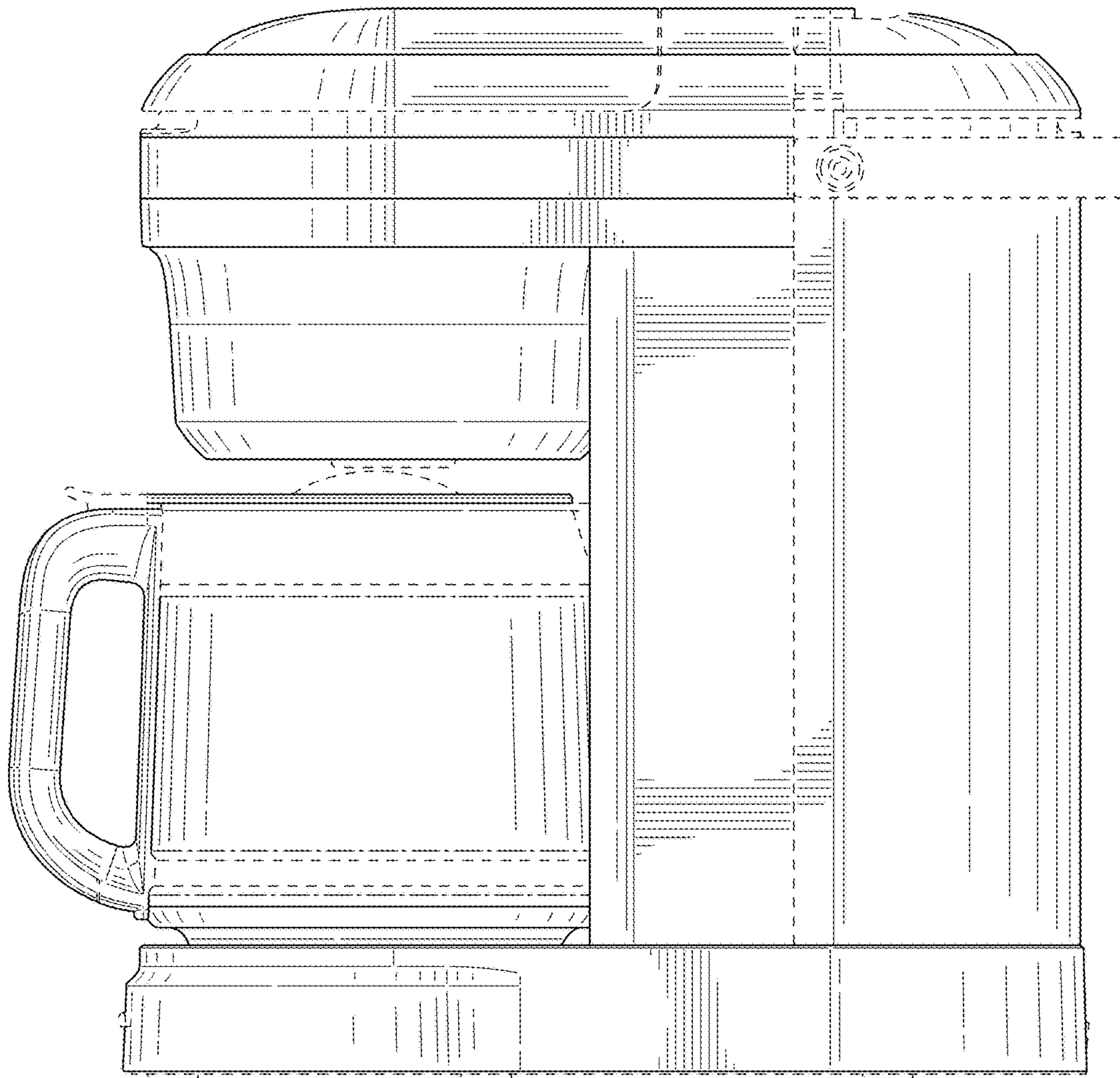


FIG. 5

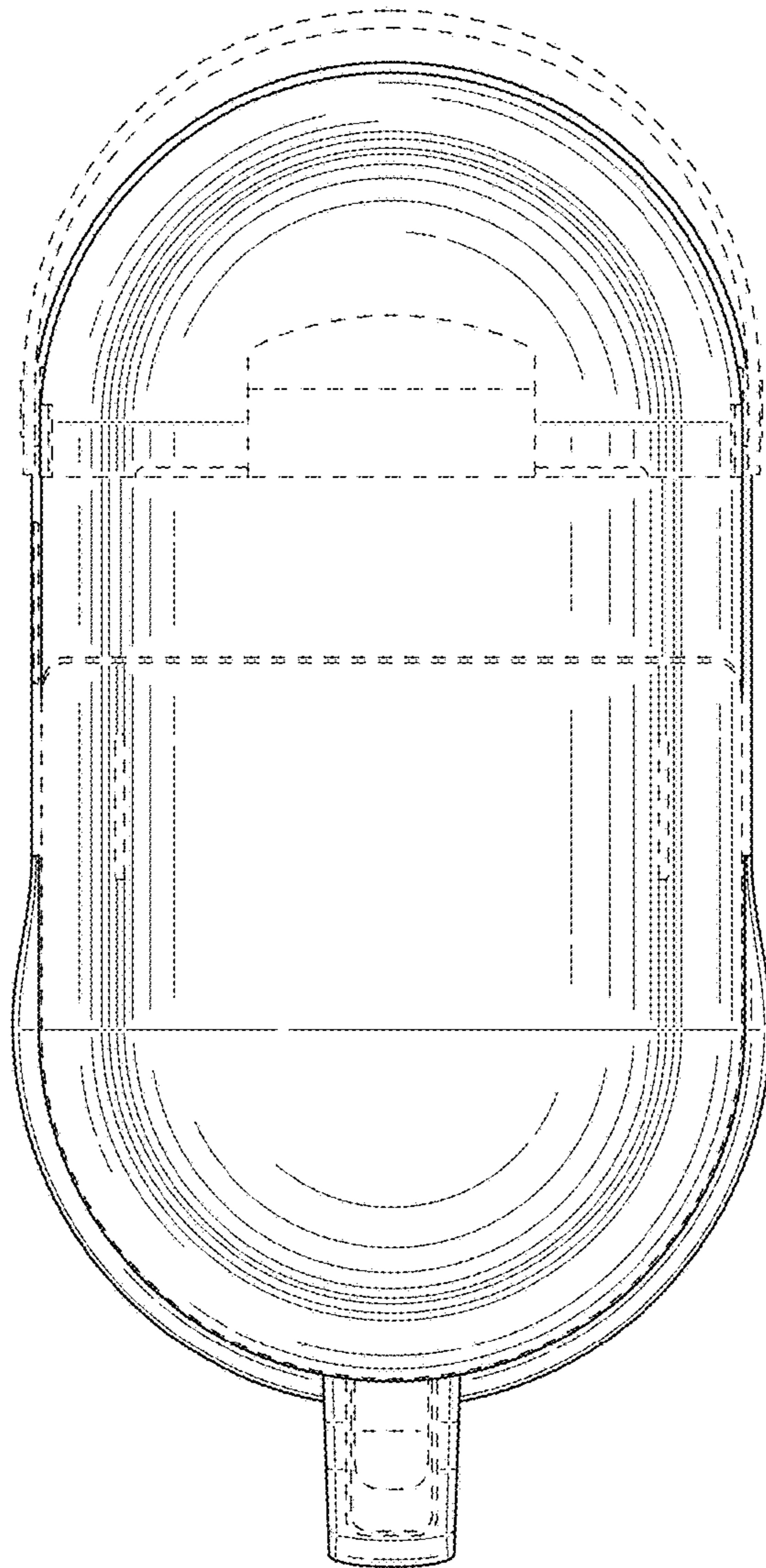


FIG. 6

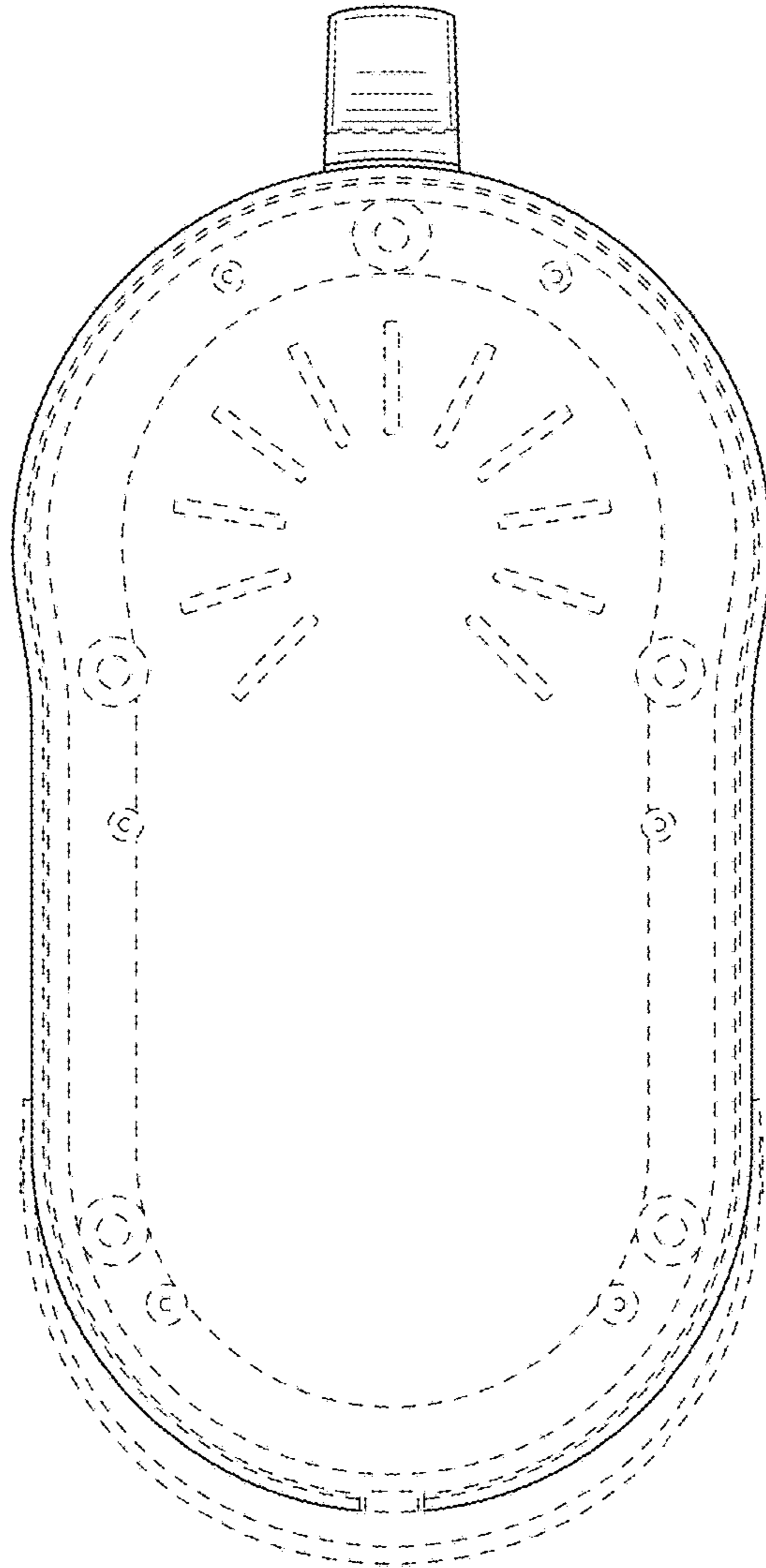


FIG. 7