



US00D849457S

(12) **United States Design Patent**  
**Kundig**

(10) **Patent No.:** **US D849,457 S**

(45) **Date of Patent:** **\*\* May 28, 2019**

(54) **CABINET CONSOLE**

(71) Applicant: **Olson Kundig, Inc.**, Seattle, WA (US)

(72) Inventor: **Tom Kundig**, Seattle, WA (US)

(73) Assignee: **Olson Kundig, Inc.**, Seattle, WA (US)

(\*\*) Term: **15 Years**

(21) Appl. No.: **29/601,449**

(22) Filed: **Apr. 21, 2017**

(51) **LOC (11) Cl.** ..... **06-04**

(52) **U.S. Cl.**

USPC ..... **D6/671**

(58) **Field of Classification Search**

USPC ..... D6/514, 515, 516, 517, 640, 657, 659,  
D6/660, 661, 662.1, 671, 671.1, 672, 675,  
D6/675.1, 702; D15/79, 81, 85, 88;  
D20/1, 4, 5; D23/286; D24/227;  
D27/189

CPC ..... A47B 47/024; A47B 87/008; A47B 88/48;  
A47B 88/90; A47F 3/0413; A47F 5/116;  
A47F 5/0018; Y10T 428/24694; F25D  
21/14; F25D 23/069; F25D 2400/10

See application file for complete search history.

(56) **References Cited**

**U.S. PATENT DOCUMENTS**

D188,197 S \* 6/1960 Swarts ..... D6/671.1  
D190,179 S \* 4/1961 Swarts ..... D6/671.1  
D193,516 S \* 9/1962 Deaton ..... D6/657  
3,352,615 A \* 11/1967 Sandin ..... A47B 87/008  
312/107

D216,899 S \* 3/1970 Szirmay ..... D6/671.1  
D220,442 S \* 4/1971 Beavers ..... D6/671  
D226,831 S \* 5/1973 Allen ..... D6/671.1  
D226,832 S \* 5/1973 Allen ..... D6/671.1  
D427,806 S \* 7/2000 Lacroix ..... D6/671.1  
D519,299 S \* 4/2006 Boudreau ..... D6/657  
D532,624 S \* 11/2006 Juneau ..... D6/657  
D553,879 S \* 10/2007 Juneau ..... D6/671  
D560,930 S \* 2/2008 Woodward ..... D6/671.1  
D560,931 S \* 2/2008 Woodward ..... D6/671.1  
D598,672 S \* 8/2009 Maly ..... D6/671.1  
D644,853 S \* 9/2011 Becker ..... D6/661  
D663,138 S \* 7/2012 Andersen ..... D6/661  
D667,654 S \* 9/2012 Lenney ..... D6/671.1  
D742,667 S \* 11/2015 Weatherly ..... D6/671.1

\* cited by examiner

*Primary Examiner* — Kevin K Rudzinski

*Assistant Examiner* — Paul D Bohannon

(74) *Attorney, Agent, or Firm* — Foster Pepper PLLC

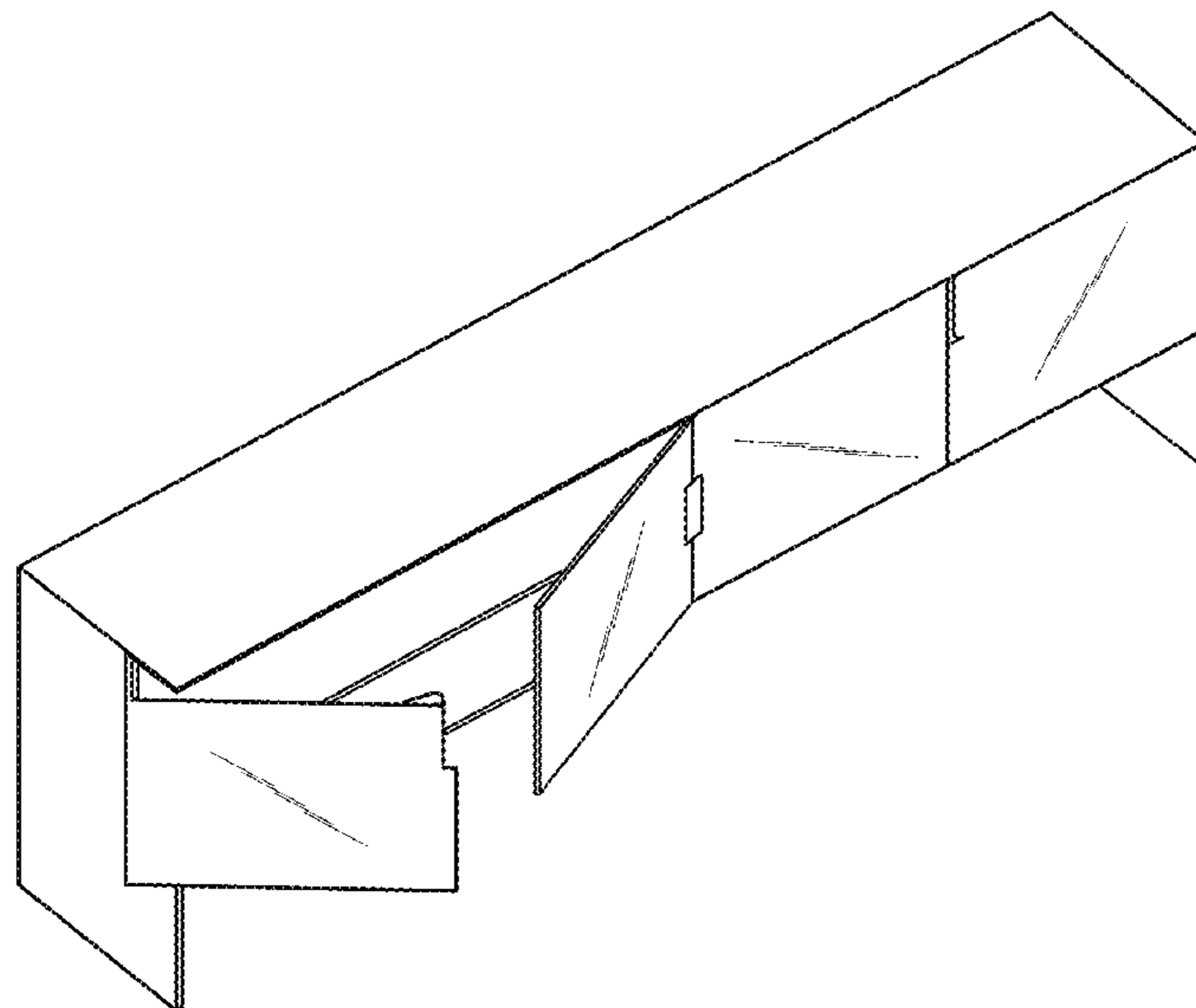
(57) **CLAIM**

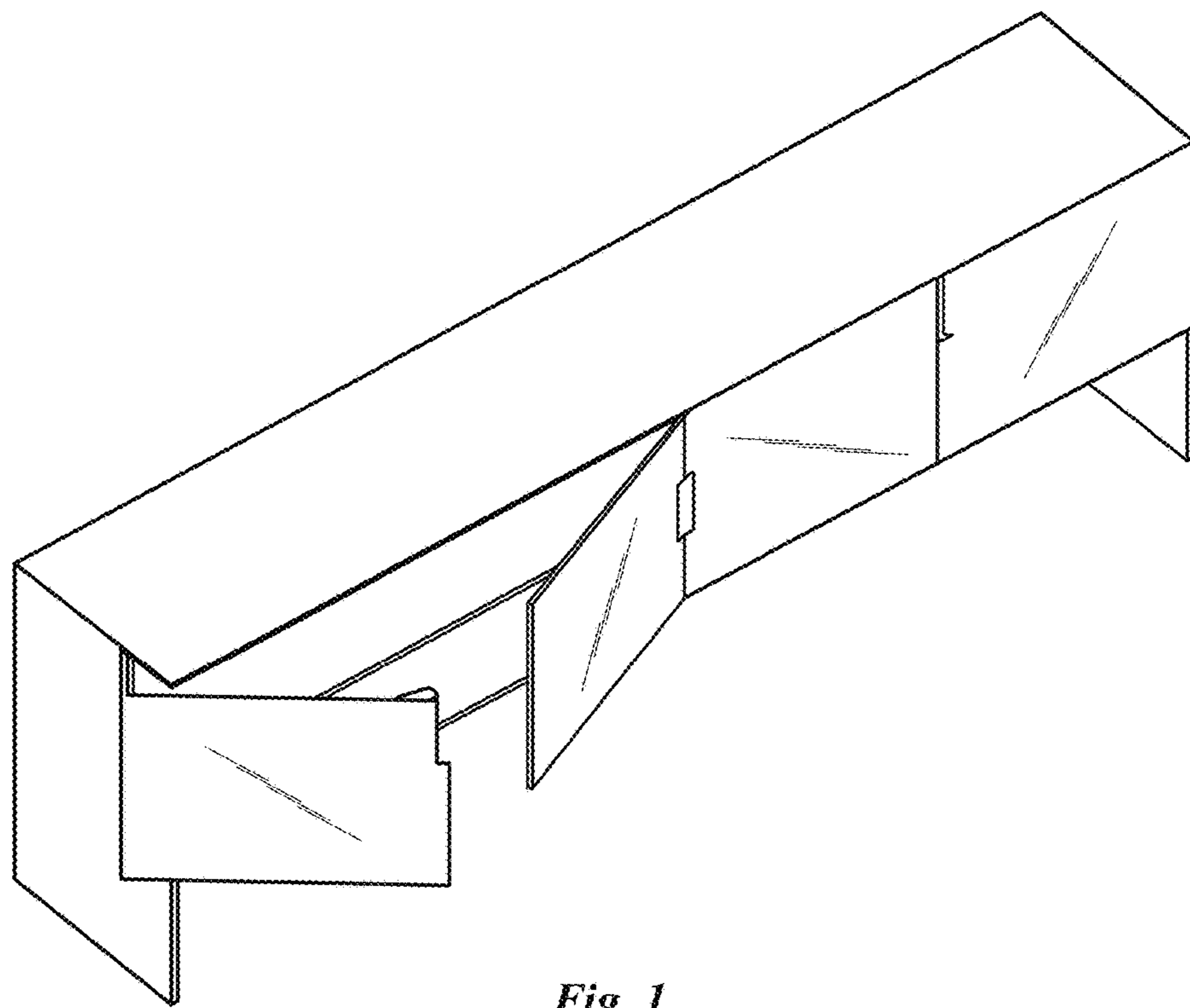
The ornamental design for a cabinet console, as shown and described.

**DESCRIPTION**

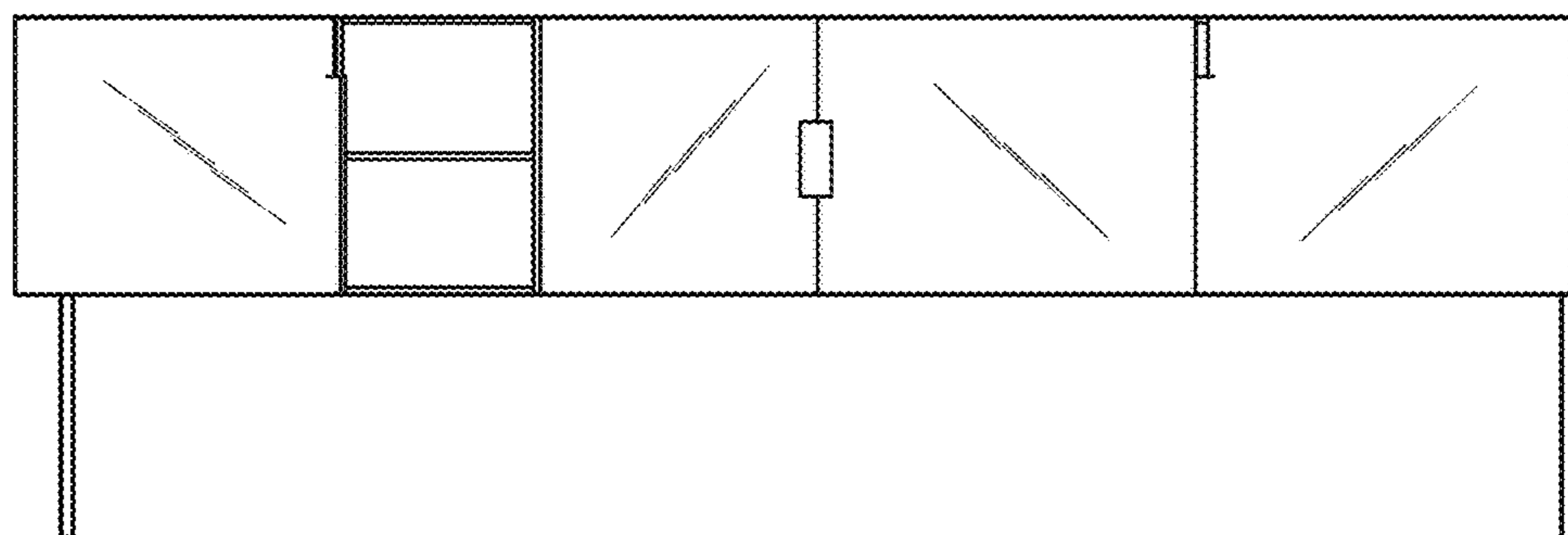
FIG. 1 is an isometric view of the cabinet console;  
FIG. 2 is a front view thereof;  
FIG. 3 is a back view thereof;  
FIG. 4 is a right view thereof;  
FIG. 5 is a left view thereof;  
FIG. 6 is a top view thereof; and,  
FIG. 7 is a bottom view thereof.

**1 Claim, 2 Drawing Sheets**

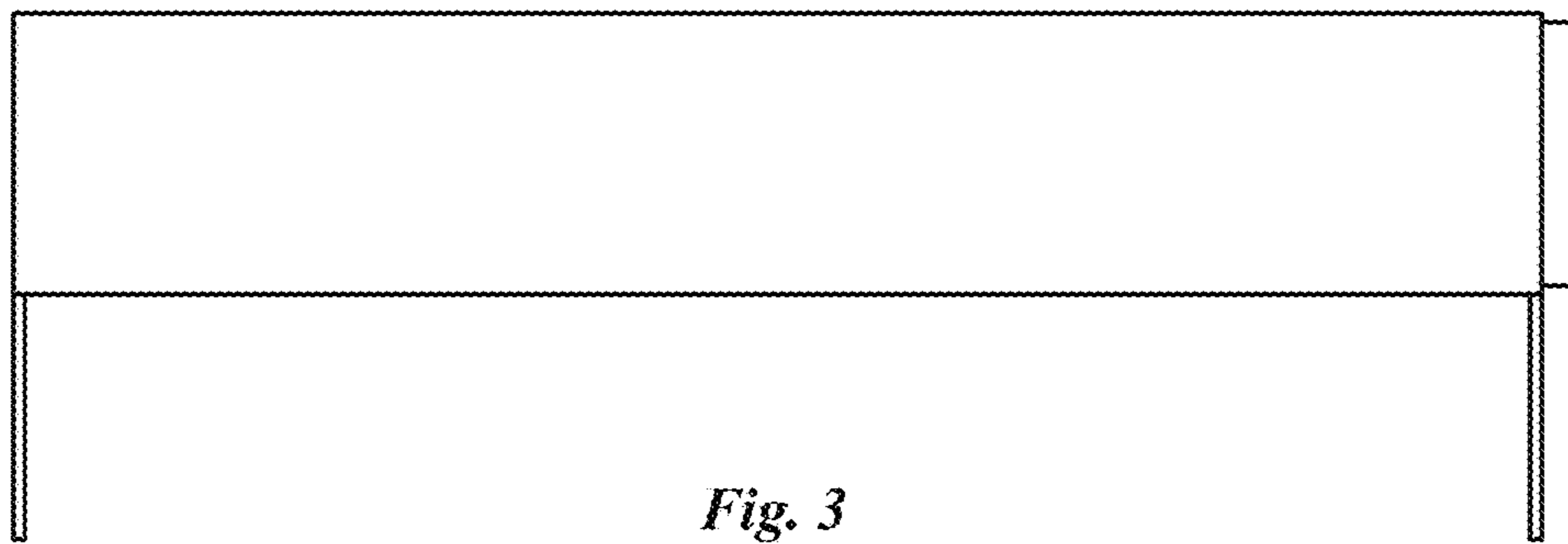




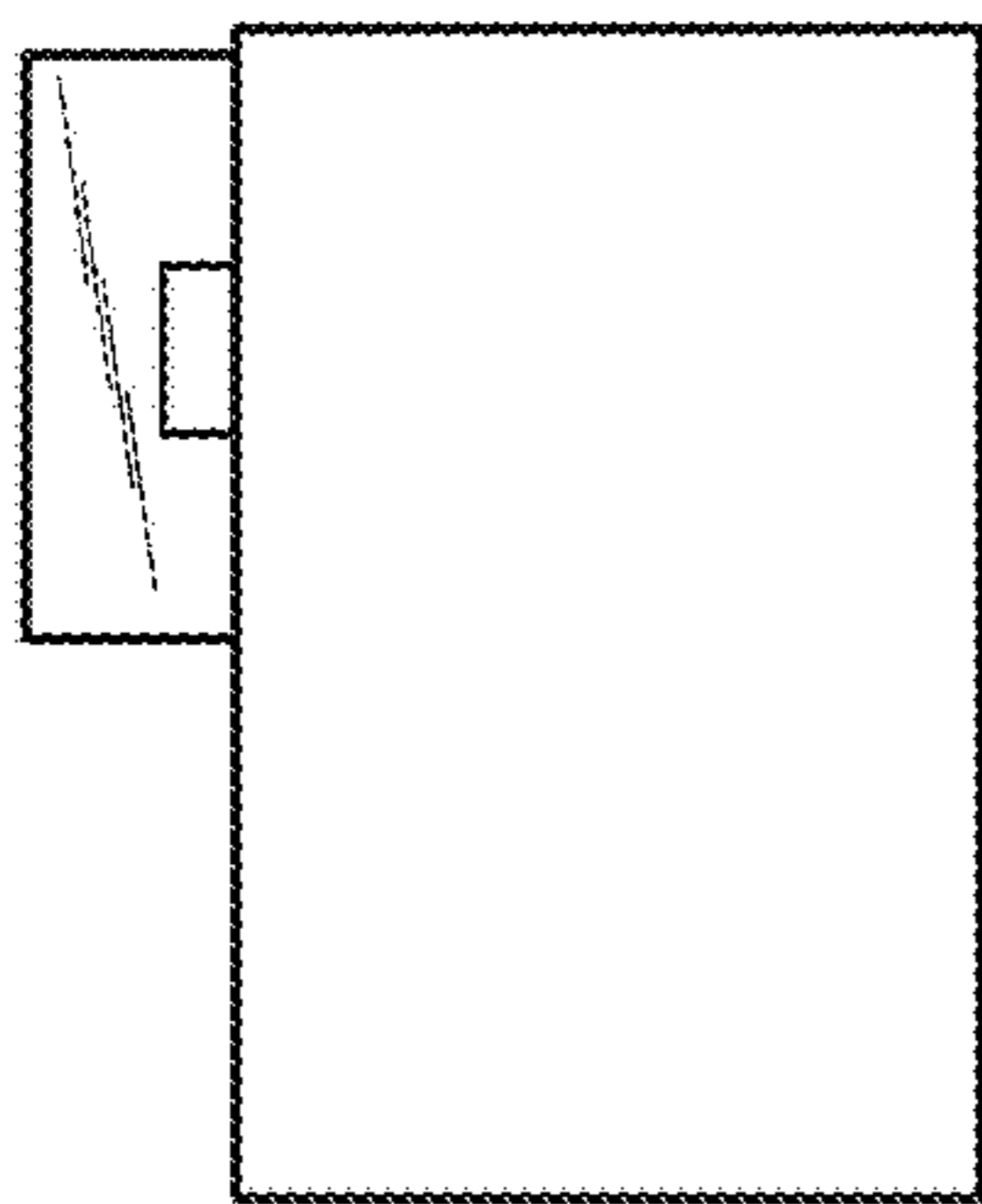
*Fig. 1*



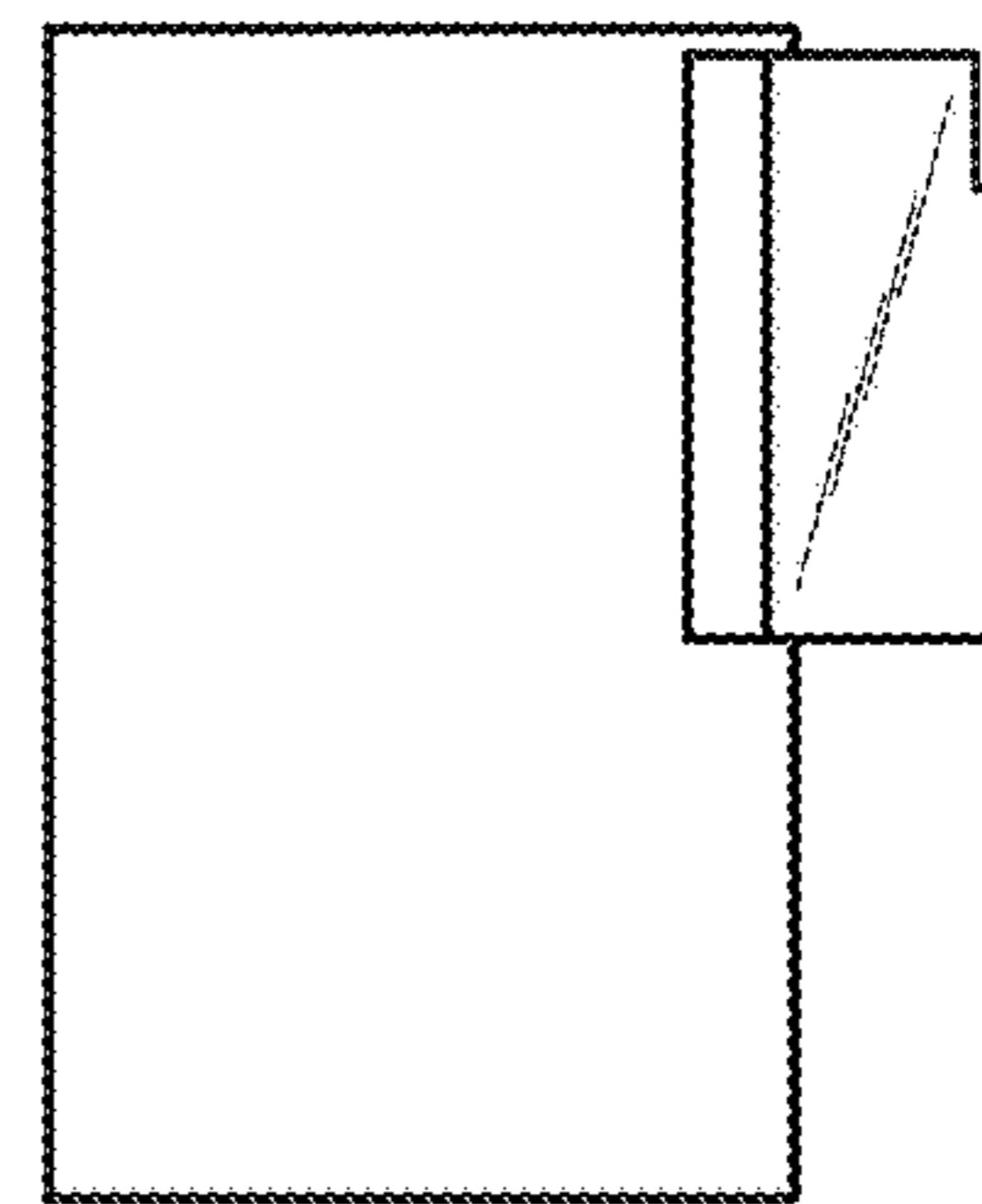
*Fig. 2*



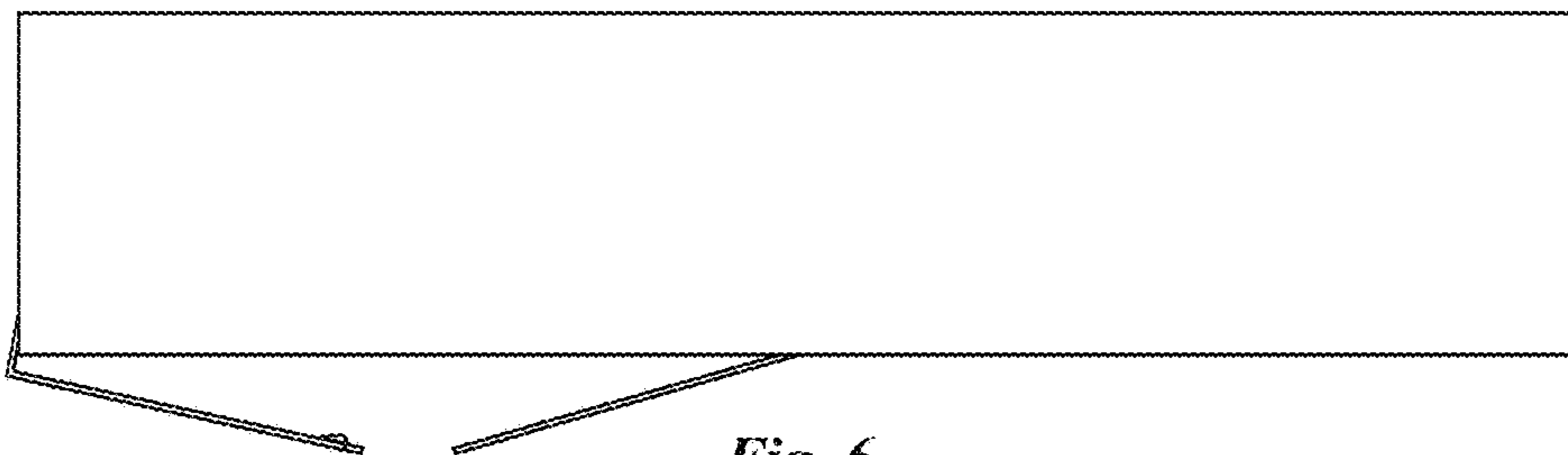
*Fig. 3*



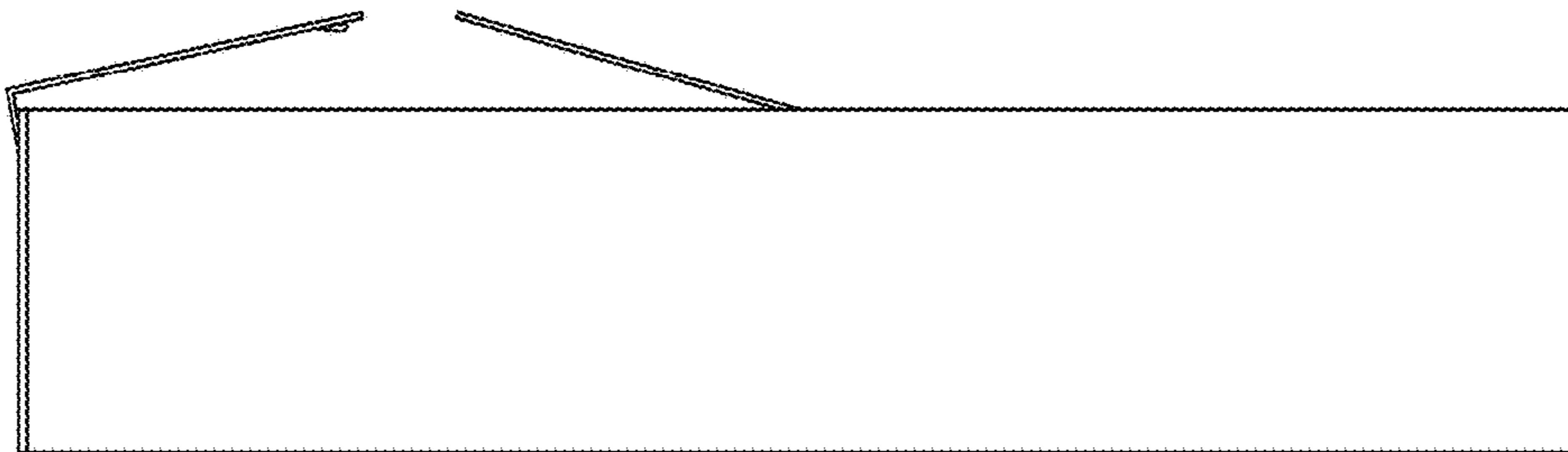
*Fig. 4*



*Fig. 5*



*Fig. 6*



*Fig. 7*