



US00D849456S

(12) **United States Design Patent** (10) **Patent No.:** **US D849,456 S**
Chumakov et al. (45) **Date of Patent:** **** May 28, 2019**

(54) **WORKSTATION**

(71) Applicant: **Humanscale Corporation**, New York, NY (US)
(72) Inventors: **Vladimir Chumakov**, New York, NY (US); **Toshimasa Fukaya**, Scarsdale, NY (US); **Juan Jimenez**, Brooklyn, NY (US)
(73) Assignee: **Humanscale Corporation**, New York, NY (US)
(**) Term: **15 Years**

(21) Appl. No.: **29/600,283**

(22) Filed: **Apr. 11, 2017**

(51) **LOC (11) Cl.** **06-03**

(52) **U.S. Cl.**
USPC **D6/656.13**

(58) **Field of Classification Search**
USPC D6/310, 641, 656.13, 672, 675, 678.1, D6/678.2, 682, 691, 697, 700, 707.22; D14/239, 447

CPC A47B 21/02; A47B 21/04; A47B 21/0314; A47B 2021/0364; A47B 2097/006; A61B 50/13; A61B 50/15; B62B 2206/06; F16M

(Continued)

(56) **References Cited**

U.S. PATENT DOCUMENTS

D276,100 S * 10/1984 Middleton D6/672
D285,507 S * 9/1986 Middlemist D6/700
4,844,387 A 7/1989 Sorgi et al.

(Continued)

FOREIGN PATENT DOCUMENTS

DE 3814894 9/1989
DE 4428890 10/1995

(Continued)

OTHER PUBLICATIONS

Dell Monitor Stand User's Guide (USB 3.0 Dock MKS14), Aug. 2015, 23 pgs.

(Continued)

Primary Examiner — Kevin K Rudzinski

Assistant Examiner — Paul D Bohannon

(74) *Attorney, Agent, or Firm* — Womble Bond Dickinson (US) LLP

(57) **CLAIM**

We claim the ornamental design for a workstation, as shown and described.

DESCRIPTION

FIG. 1 is a top front right perspective view of my new design in a first position;

FIG. 2 is a front view thereof;

FIG. 3 is a rear view thereof;

FIG. 4 is a left side view thereof;

FIG. 5 is a right side view thereof; and

FIG. 6 is a top view thereof.

FIG. 7 is a top front right perspective view of my new design in a second position;

FIG. 8 is a front view thereof;

FIG. 9 is a rear view thereof;

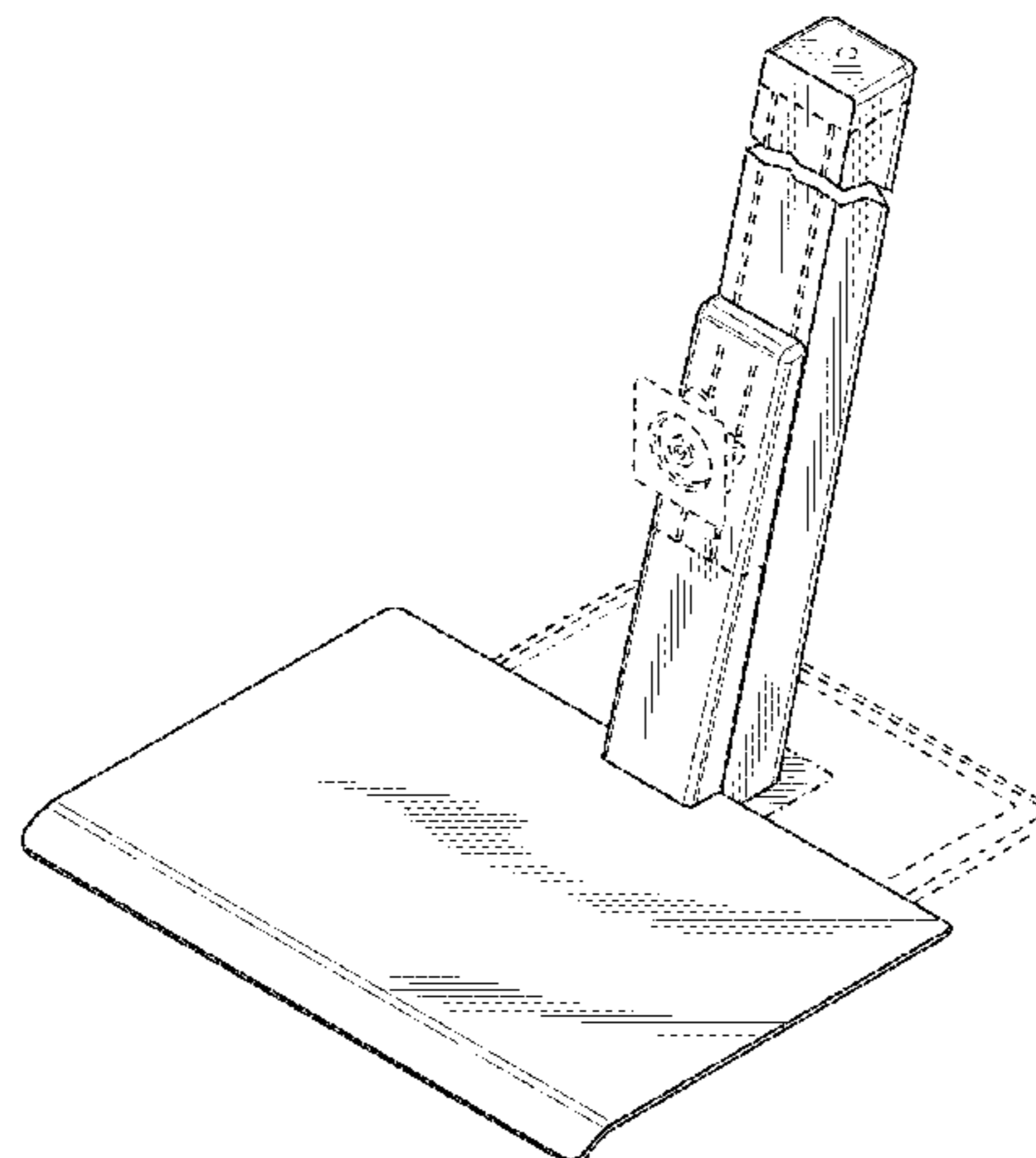
FIG. 10 is a left side view thereof;

FIG. 11 is a right side view thereof; and,

FIG. 12 is a top view thereof.

The views of the workstation not shown form no part of the claimed design. The dash-dash broken lines shown in the drawings illustrate portions of the article and form no part of the claimed design. The dash-dot lines in FIGS. 1, 6, 7, and 12 represent the unclaimed boundaries of the claimed surface. The jagged lines shown in the figures represent a symbolic break in length of the workstation. The appearance of any portion of the article between the jagged lines forms no part of the claim design.

1 Claim, 12 Drawing Sheets



(58) **Field of Classification Search**
 CPC ... 11/046; F16M 11/18; Y10S 248/917; Y10S
 248/918
 See application file for complete search history.

(56) **References Cited**

U.S. PATENT DOCUMENTS

5,437,235 A 8/1995 Randolph
 D390,713 S 2/1998 Chen
 5,751,548 A 5/1998 Hall et al.
 5,758,849 A 6/1998 Bui et al.
 5,799,917 A 9/1998 Li
 5,868,079 A 2/1999 Charny
 D429,251 S 8/2000 Sundry
 D435,107 S 12/2000 Blair
 6,170,408 B1 1/2001 Gombrich
 6,189,849 B1 2/2001 Sweere et al.
 6,332,407 B1 12/2001 Vardaro
 6,374,752 B1 4/2002 Walser
 D467,094 S * 12/2002 Bodzioch D6/682
 6,514,145 B1 2/2003 Kawabata et al.
 D472,403 S * 4/2003 Bogish D6/675
 D476,509 S * 7/2003 Orsino D14/447
 6,585,214 B1 7/2003 Dittmer
 6,592,090 B1 7/2003 Li
 D486,486 S 2/2004 Jobs
 D487,805 S 3/2004 Kondo
 D491,747 S * 6/2004 Walters D6/678.1
 D495,163 S 8/2004 Weatherly
 D509,826 S 9/2005 Jobs
 D512,698 S 12/2005 Augenbraun et al.
 6,994,303 B2 * 2/2006 Lin F16M 11/28
 248/122.1
 D517,336 S 3/2006 Engelstad
 D521,996 S 5/2006 Kim
 D537,323 S 2/2007 Saez
 7,178,469 B2 2/2007 Goza
 D537,656 S * 3/2007 Stenhouse D6/678.2
 7,195,213 B2 3/2007 Weatherly
 D542,297 S 5/2007 Hung
 7,252,277 B2 8/2007 Sweere
 7,338,022 B2 3/2008 Hung
 D576,427 S 9/2008 Stebbens
 D584,734 S 1/2009 Chu
 D587,257 S * 2/2009 Morello D14/239
 D597,266 S * 7/2009 Simpson D30/118
 D608,771 S 1/2010 Hsu
 7,677,518 B2 3/2010 Choulnard et al.
 7,690,317 B2 4/2010 Beck et al.
 7,694,927 B2 4/2010 Chuang
 D624,083 S 9/2010 Scheper et al.
 D624,084 S 9/2010 Scheper et al.
 D627,474 S 11/2010 Nordgren
 D631,052 S 1/2011 Hung
 D643,042 S 8/2011 Saelid
 D654,503 S 2/2012 Sapper
 D655,532 S 3/2012 Saelid
 8,181,920 B2 5/2012 Brown
 D668,257 S 10/2012 Tsai
 D671,338 S 11/2012 Sexton
 D677,078 S 3/2013 Lambright
 D685,806 S 7/2013 Kim et al.
 D690,306 S 9/2013 Malisse
 8,591,349 B1 * 11/2013 Jones A63B 69/3644
 473/229
 8,720,838 B2 5/2014 Bowman
 D707,209 S * 6/2014 Ranaletta D14/239
 D709,896 S 7/2014 McKinsty
 D710,013 S 7/2014 Li
 D712,906 S 9/2014 Wengreen
 8,826,831 B2 9/2014 Hazzard et al.
 8,839,723 B2 9/2014 Hazzard et al.
 D714,775 S 10/2014 Yoo
 D715,938 S 10/2014 Li et al.
 D724,072 S 3/2015 Jiang

8,998,784 B1 * 4/2015 Sloan A63B 21/0085
 482/142
 9,080,721 B2 7/2015 Hazzard et al.
 D735,727 S 8/2015 Dugger
 D740,830 S 10/2015 Chu
 D745,873 S 12/2015 Xiang et al.
 9,267,639 B2 2/2016 Sweere et al.
 D751,565 S 3/2016 Gross
 D758,375 S 7/2016 Won et al.
 9,400,083 B2 7/2016 Sapper et al.
 D769,881 S 10/2016 Lazzi et al.
 D778,645 S * 2/2017 Merritt D6/691
 D778,653 S * 2/2017 Spoelhof D6/707.22
 D787,522 S 5/2017 Lee
 D790,868 S * 7/2017 Gorman D6/310
 D799,869 S * 10/2017 Yoo D6/700
 9,775,431 B2 * 10/2017 Abernethy A47B 21/04
 D812,066 S * 3/2018 Lazzi D14/447
 D827,337 S * 9/2018 Herring D6/641
 D834,028 S * 11/2018 Wu D14/447
 D835,114 S * 12/2018 Lazzi D14/447
 D836,091 S * 12/2018 Shu D14/239
 2005/0029850 A1 2/2005 Ponticelli
 2005/0284991 A1 12/2005 Saez
 2006/0141434 A1 * 6/2006 Moran, Jr. A63B 21/00178
 434/252
 2007/0145203 A1 6/2007 Takada et al.
 2008/0026892 A1 1/2008 Asamarai et al.
 2008/0176716 A1 * 7/2008 Boren A61H 1/0218
 482/51
 2008/0232059 A1 9/2008 Allen
 2008/0315048 A1 12/2008 Sakata
 2009/0179121 A1 7/2009 Lindblad et al.
 2011/0147546 A1 6/2011 Monsalve et al.
 2011/0233350 A1 9/2011 Burgess et al.
 2011/0260017 A1 10/2011 Monsalve et al.
 2011/0315843 A1 12/2011 Hung
 2012/0119040 A1 5/2012 Ergun et al.
 2012/0187056 A1 7/2012 Hazzard et al.
 2012/0187256 A1 7/2012 Ergun et al.
 2012/0248263 A1 10/2012 Grotenhuis
 2013/0126682 A1 5/2013 Tholkes et al.
 2014/0121039 A1 * 5/2014 Robinson A63B 69/0079
 473/423
 2014/0121073 A1 * 5/2014 Hardy A63B 21/078
 482/104
 2014/0137773 A1 5/2014 Mandel et al.
 2015/0159804 A1 * 6/2015 Bowman F16M 11/045
 248/122.1
 2016/0008070 A1 * 1/2016 Choudhury A47B 3/00
 108/106
 2017/0051865 A1 * 2/2017 Chen F16M 11/041
 2018/0020825 A1 * 1/2018 Hung A47B 21/02
 108/31

FOREIGN PATENT DOCUMENTS

DE 19836603 2/2000
 DE 20021793 3/2001
 DE 10228341 1/2003
 DE 202009015569 4/2010
 EP 0481159 2/1991
 WO D008784-001 8/1987
 WO 2004079699 9/2004
 WO 2011060223 5/2011
 WO 2011071856 6/2011
 WO 2012015821 2/2012
 WO 2012015822 2/2012

OTHER PUBLICATIONS

Ergotron DS100 Quad-Monitor Desk Stand, <http://ergotron.com/ProductsDetails/tabid/65/PRDID/196/language/en-US/Default.aspx>, known at least as early as Jun. 7, 2016, 2 pgs.
 Humanscale's Quickstand Workstation, <http://www.humanscale.com/products/product.cfm?group=quickstand>, known at least as early as Jun. 7, 2016, 3 pgs.

(56)

References Cited

OTHER PUBLICATIONS

M2 Monitor Arm Brochure, Humanscale, known at least as early as Dec. 21, 2016, 5 pgs.

M8 Monitor Arm Brochure, Humanscale, known at least as early as Dec. 21, 2016, 4 pgs.

Ergotron, Inc., Ergotron WorkFit-S Sit-Stand Workstation, <http://www.ergotron.com/en-us/products/product-details/33-342>, Apr. 28, 2014 (last printed Jul. 5, 2017), 6 pgs.

YouTube. <URL: <https://www.youtube.com/watch?v=kY3zIRz-ZKY>> Aug. 1, 2016. Human Scale Quick Stand, 2 pgs.

Office Depot & OfficeMax. <URL: [http://www.officedepot.com/catalog/search.do?Ntt=302938%27\)/0EPABPABDWorkFir/0EPABPABDS%EP/0BP/013DDisplay%0EP/0BF%BDStand.>](http://www.officedepot.com/catalog/search.do?Ntt=302938%27)/0EPABPABDWorkFir/0EPABPABDS%EP/0BP/013DDisplay%0EP/0BF%BDStand.>) Feb. 2, 2016. Ergotron WorkFit S Display Stand, 2 pgs.

Amazon. <URL: https://www.amazon.com/dp/BOOBRBX3DM/ref=asc_df_BOOBRBX3DM5102834/?tag=hyprod%0C2cY0AD20&creative=394997&creativeASIN=BOOBRBX3DM&linkCode=0E2%080%A6.> Mar. 29, 2013. Ergotron Mounting Arm, 9 pgs.

* cited by examiner

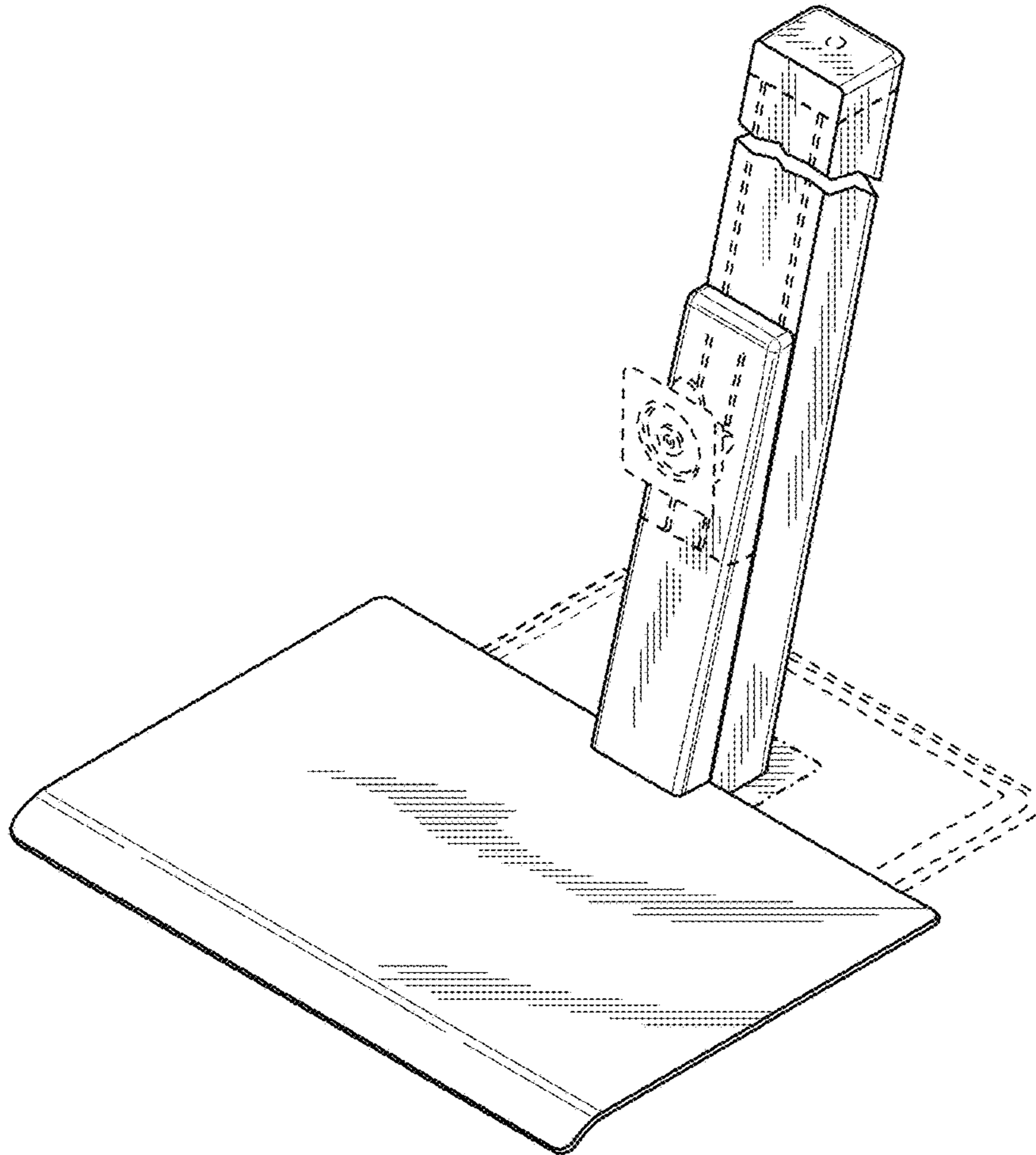


FIG. 1

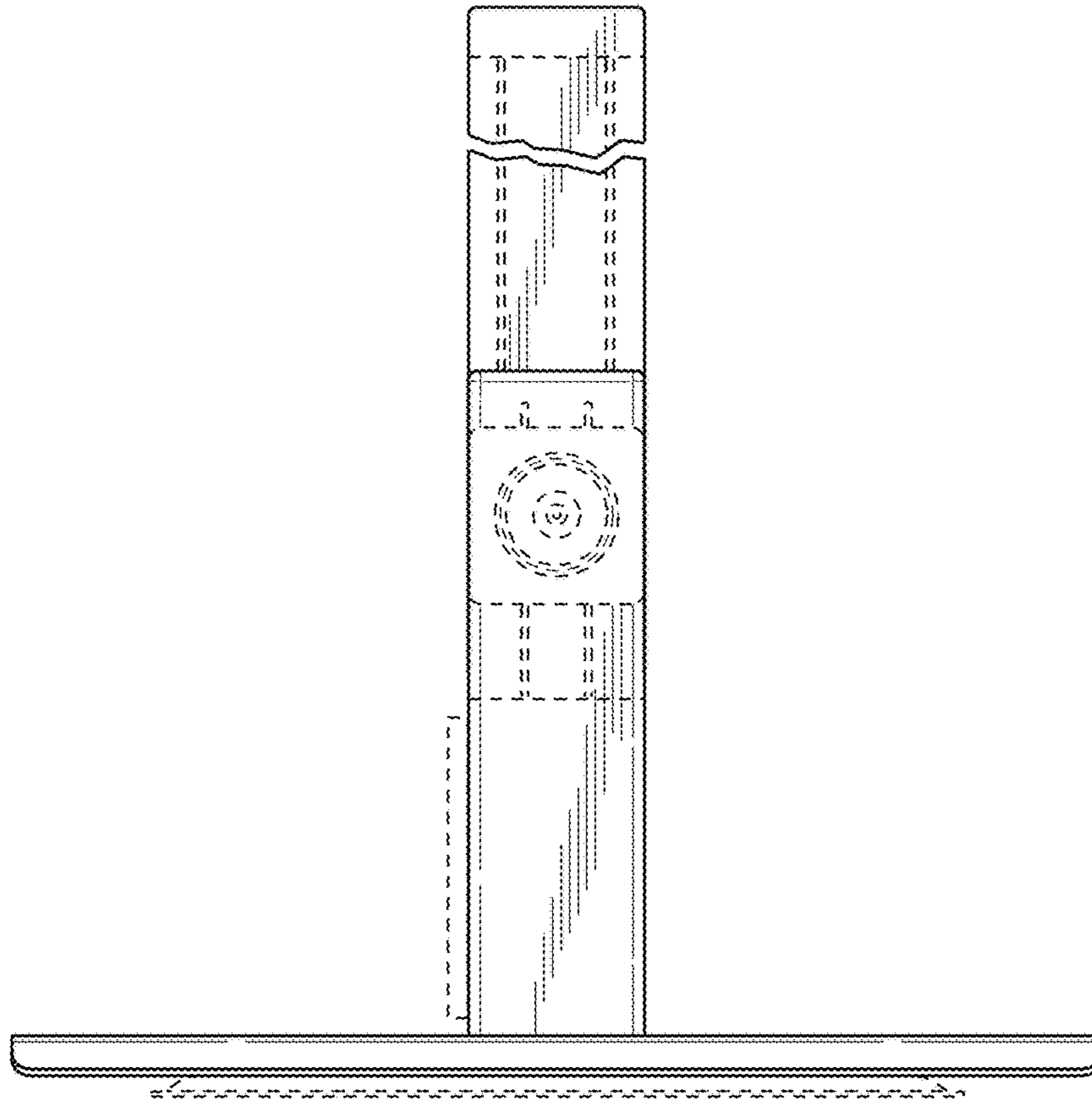


FIG. 2

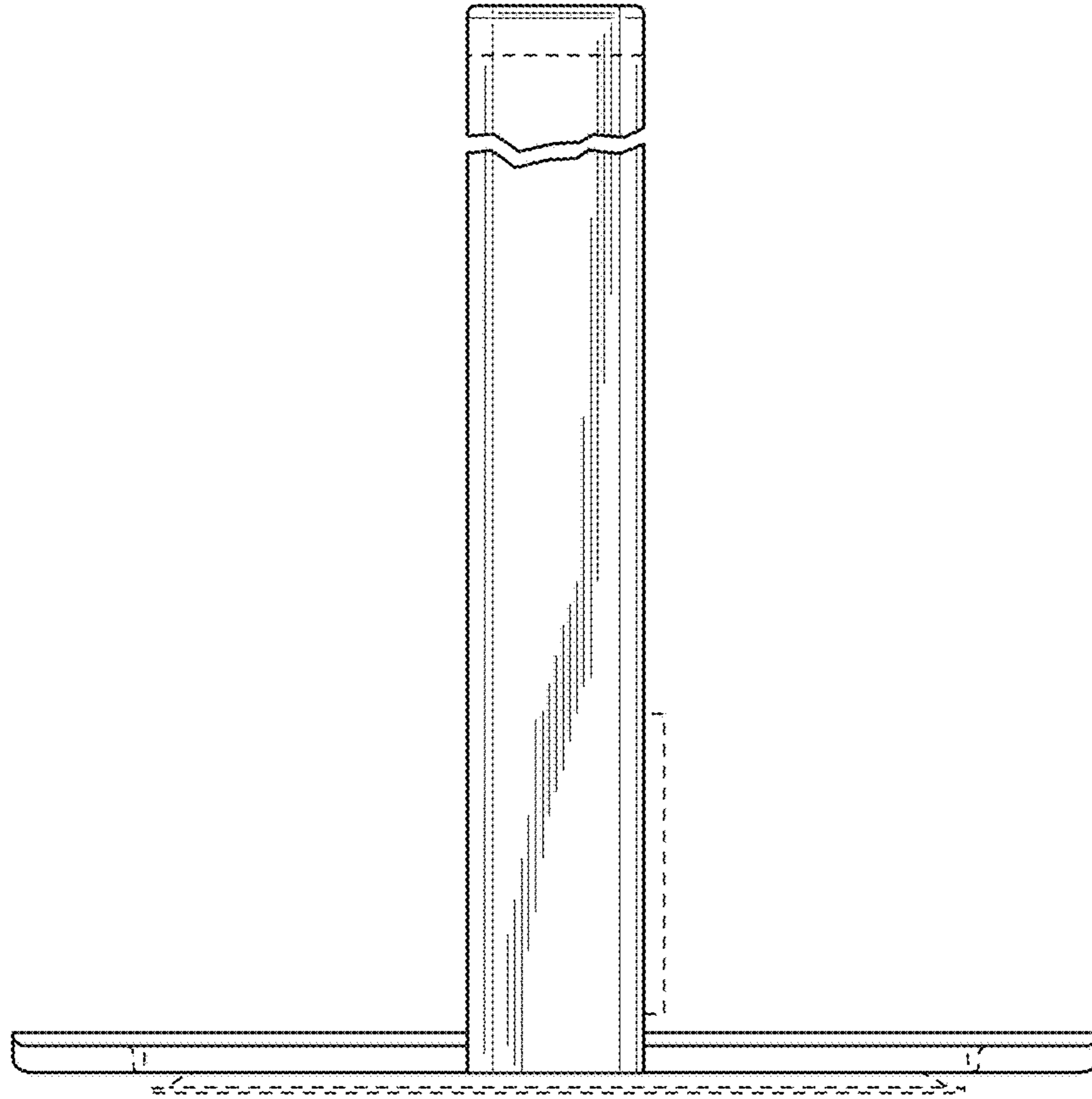


FIG. 3

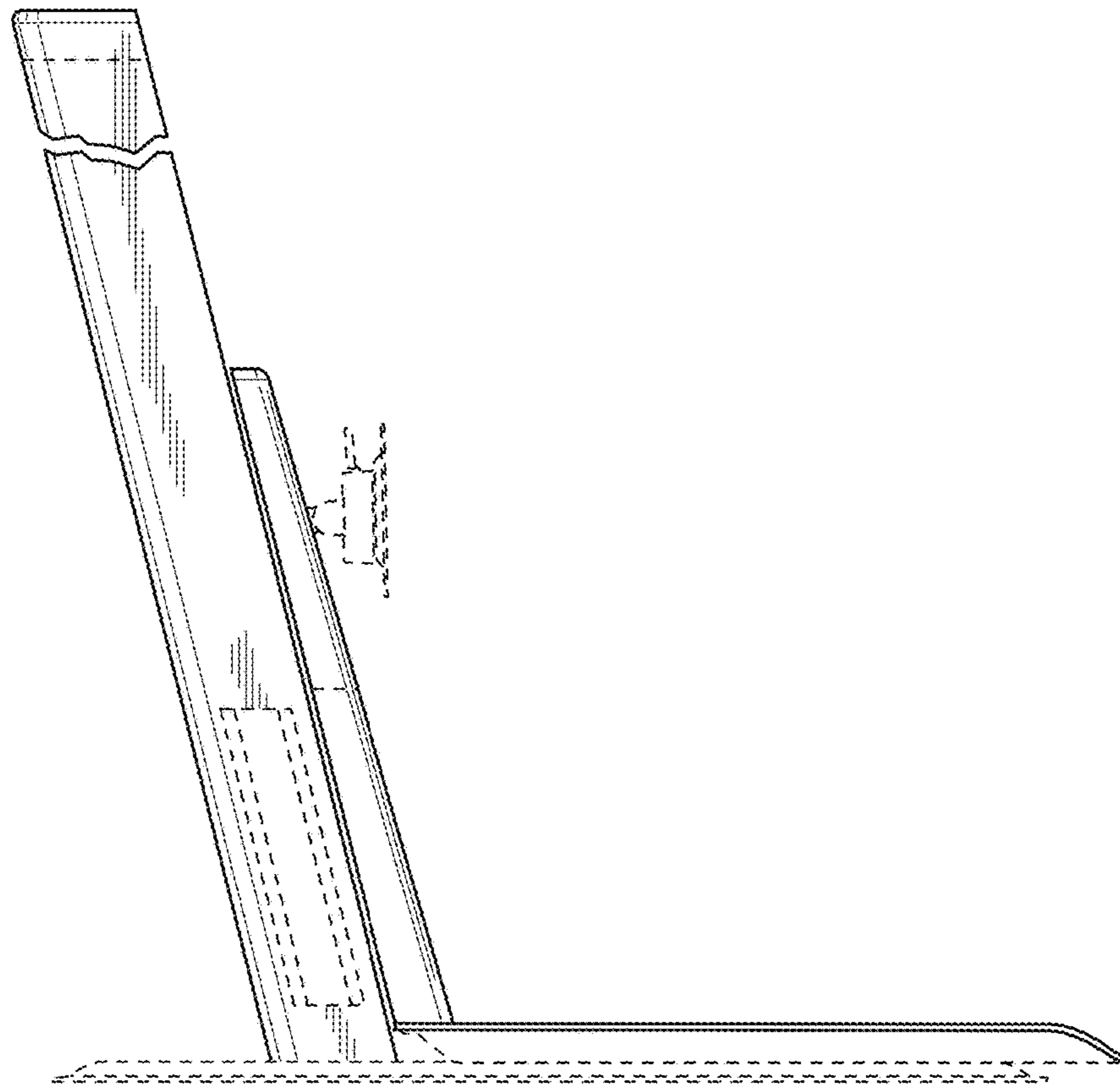


FIG. 4

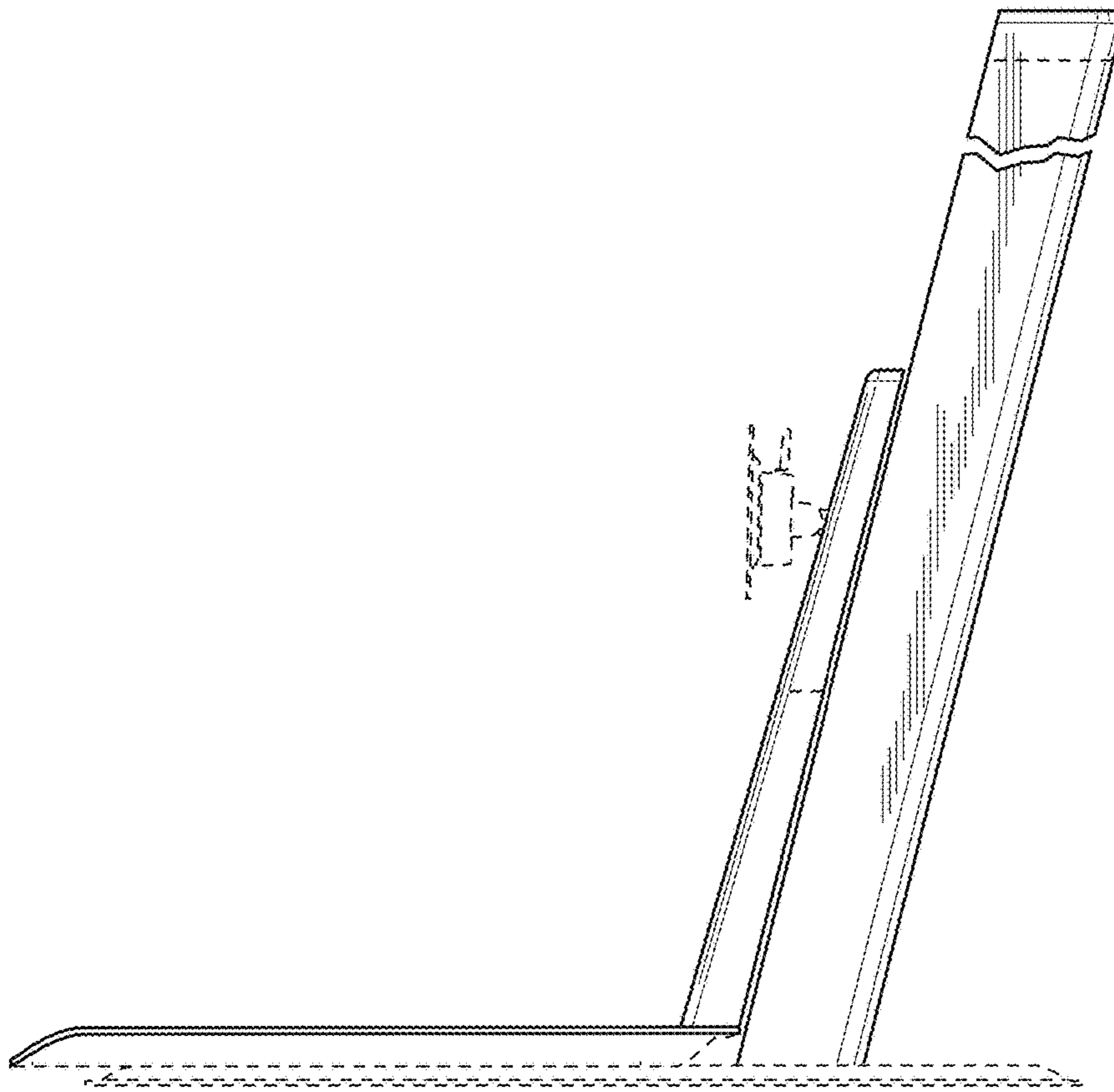


FIG. 5

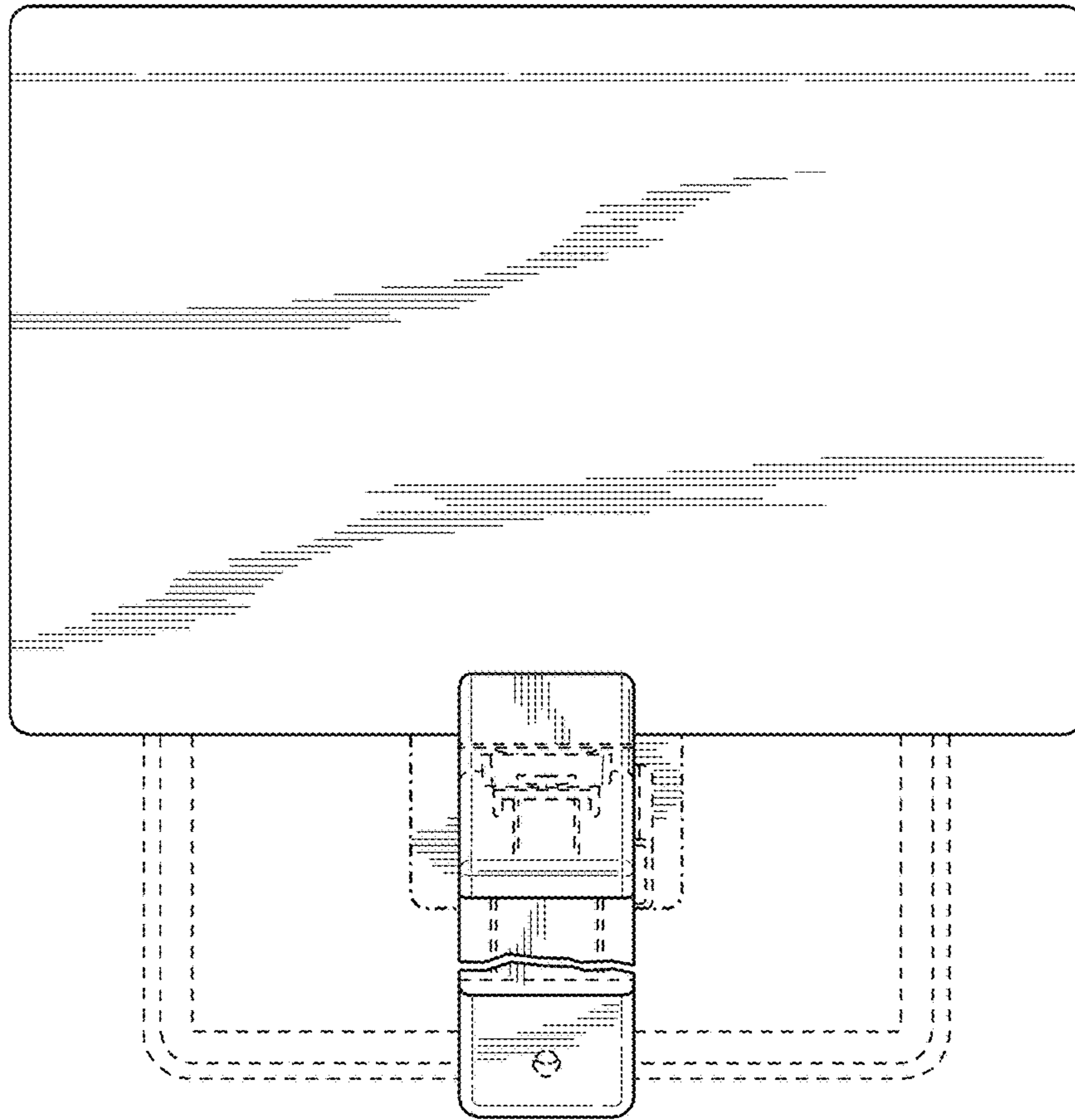


FIG. 6

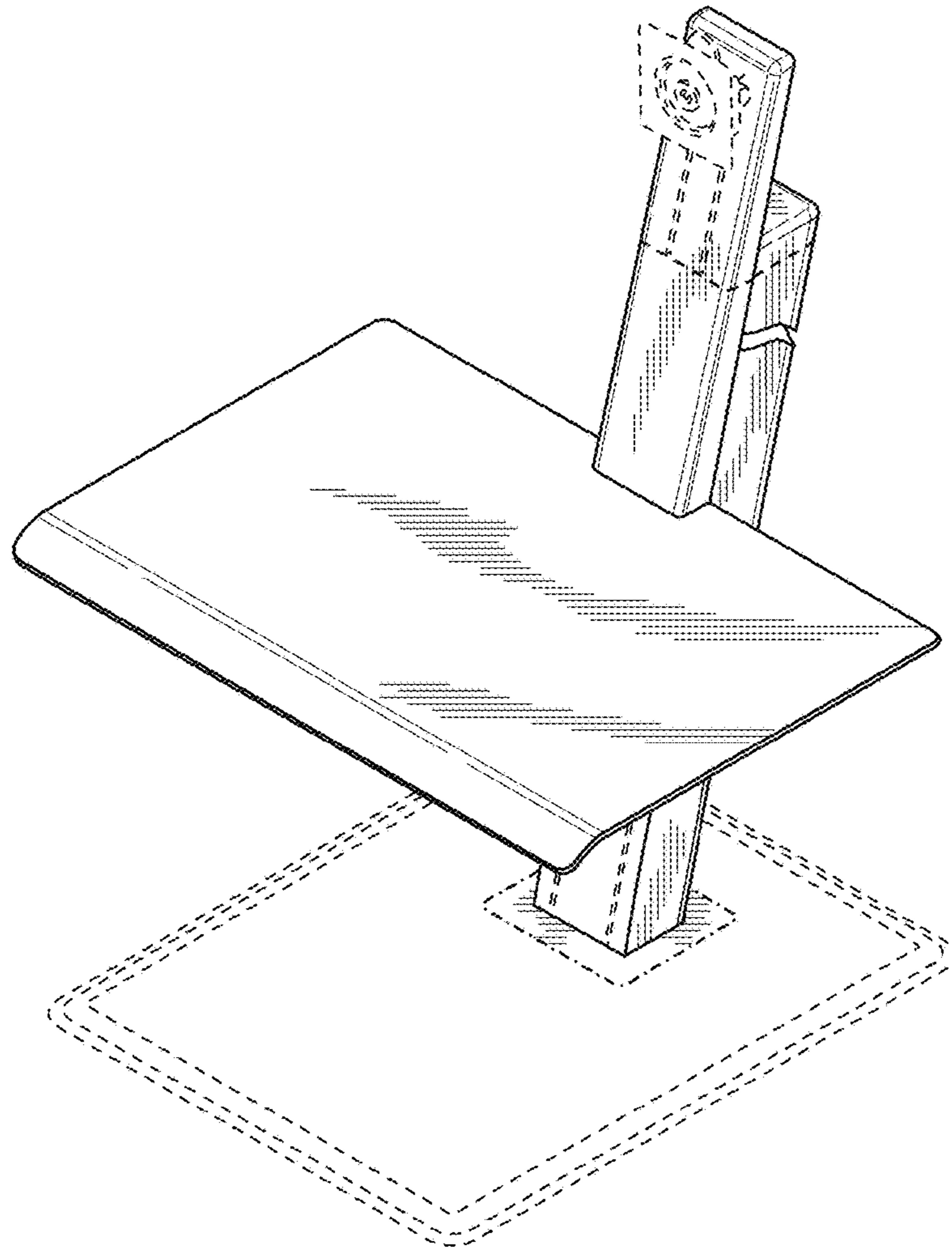


FIG. 7

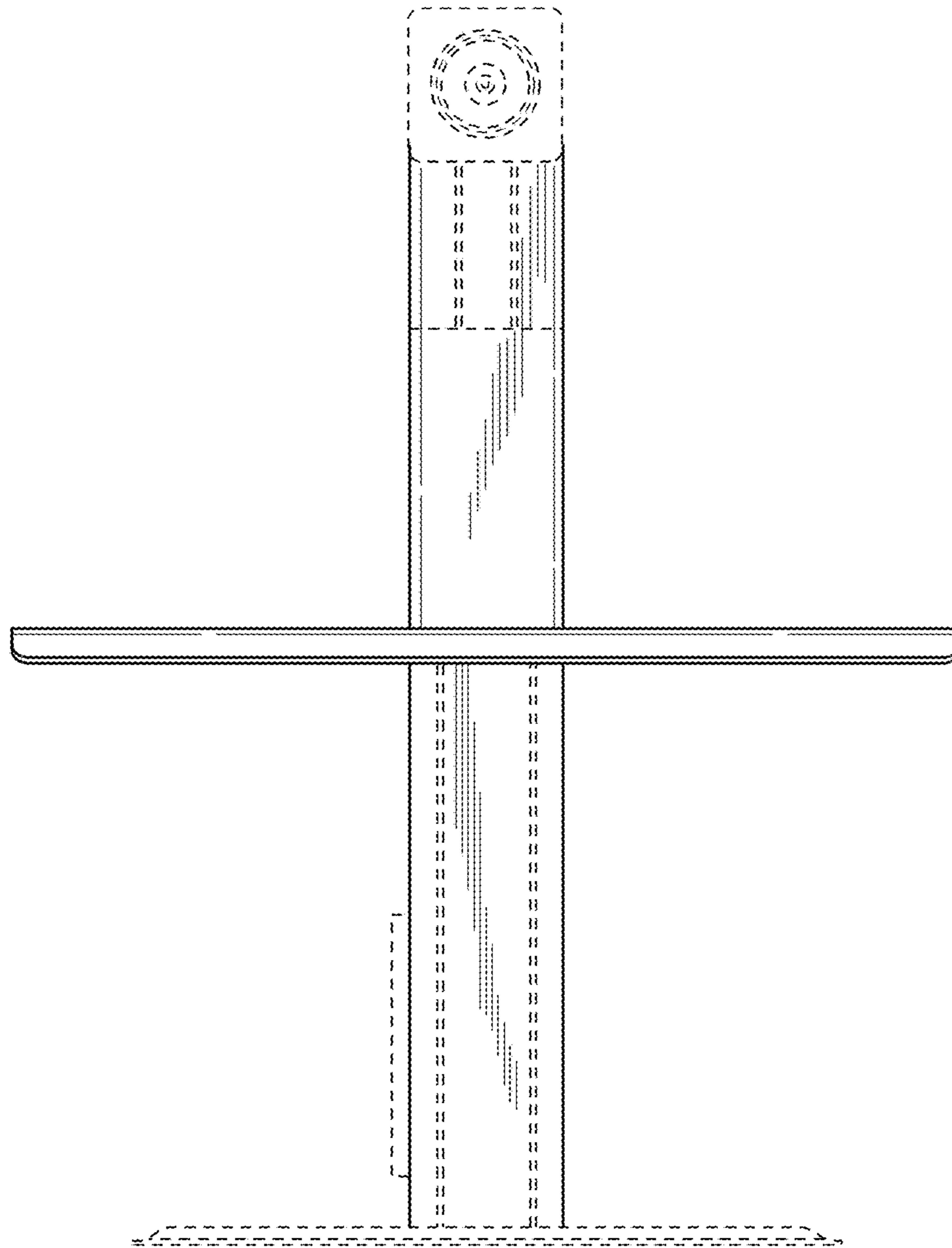


FIG. 8

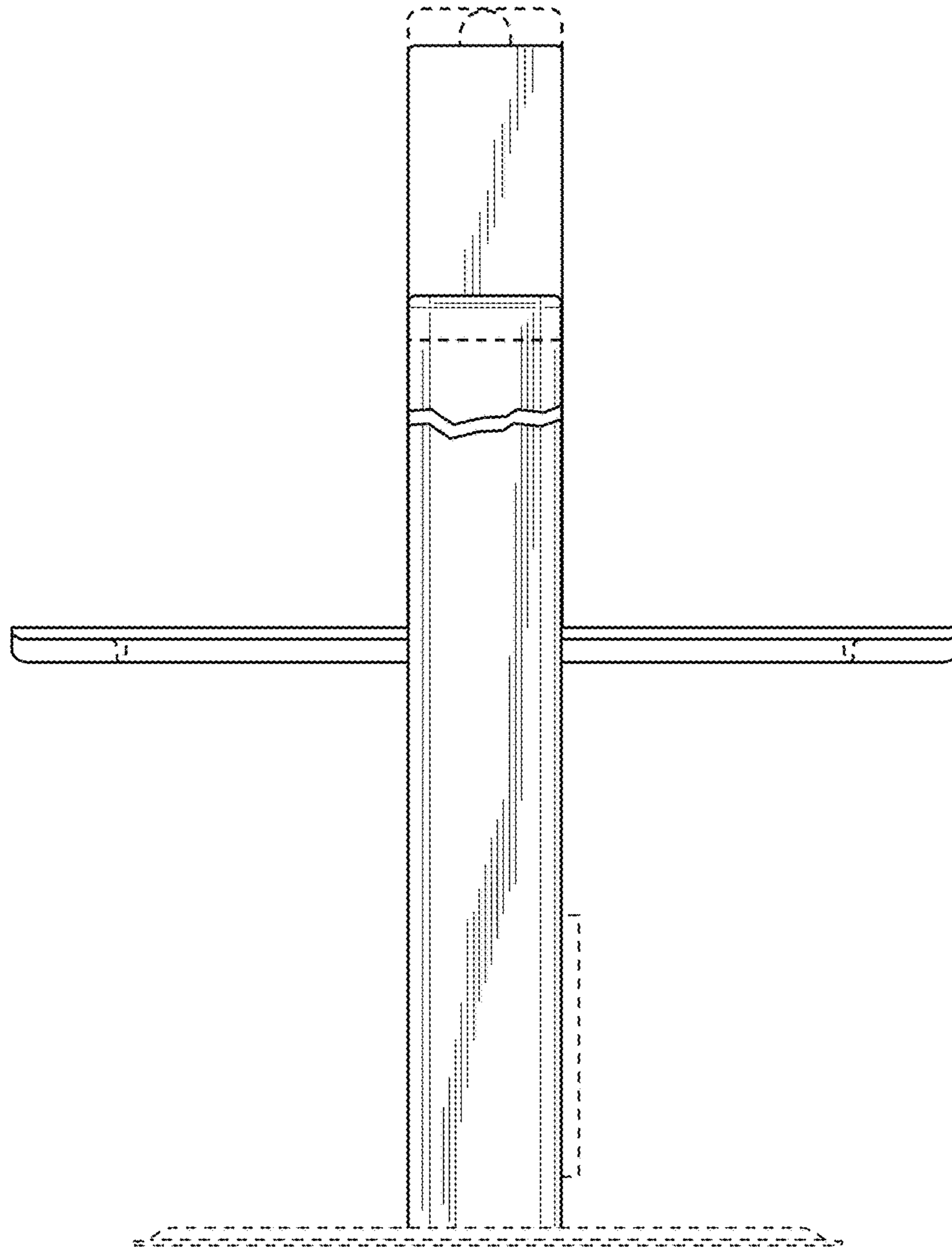


FIG. 9

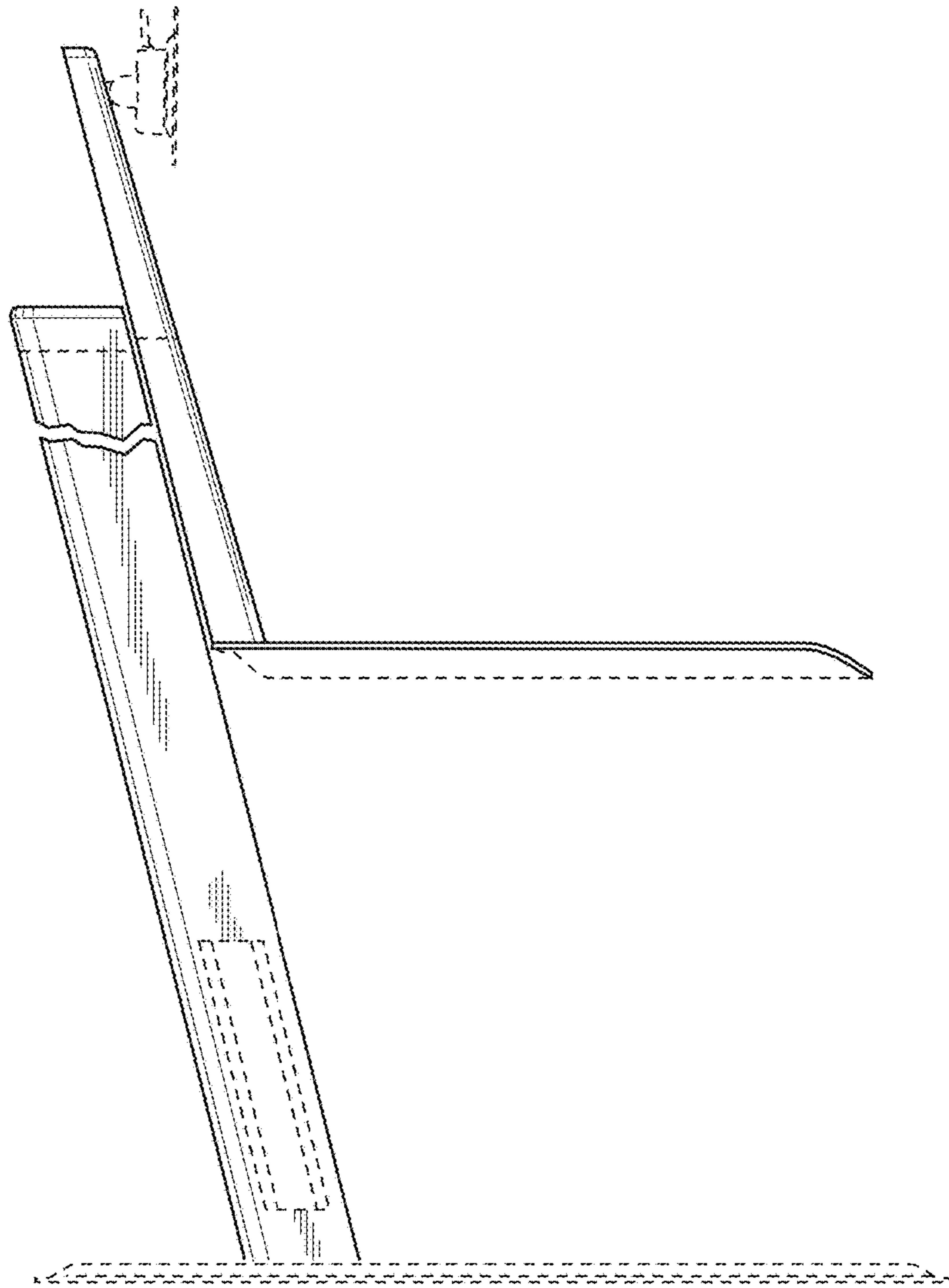


FIG. 10

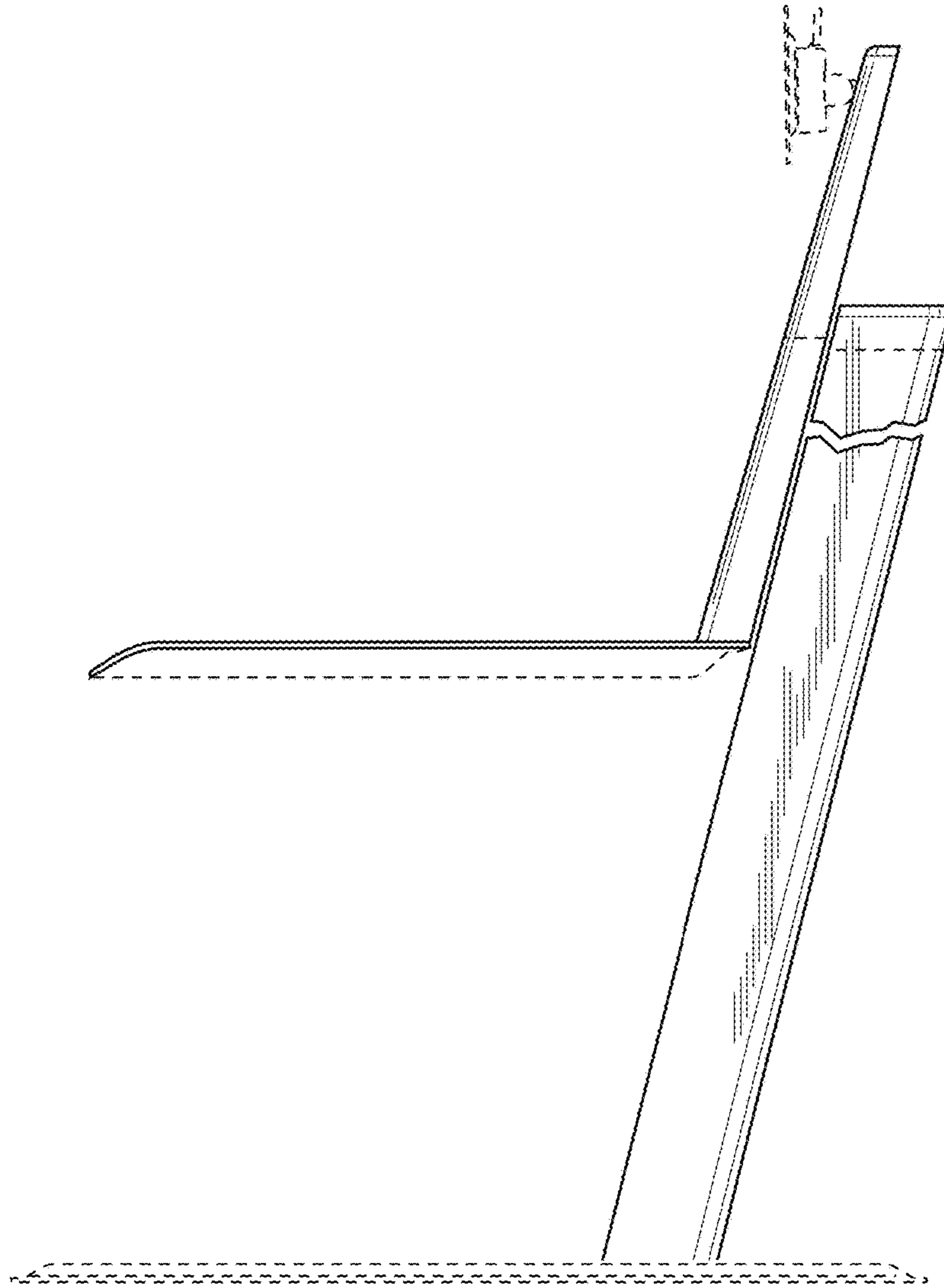


FIG. 11

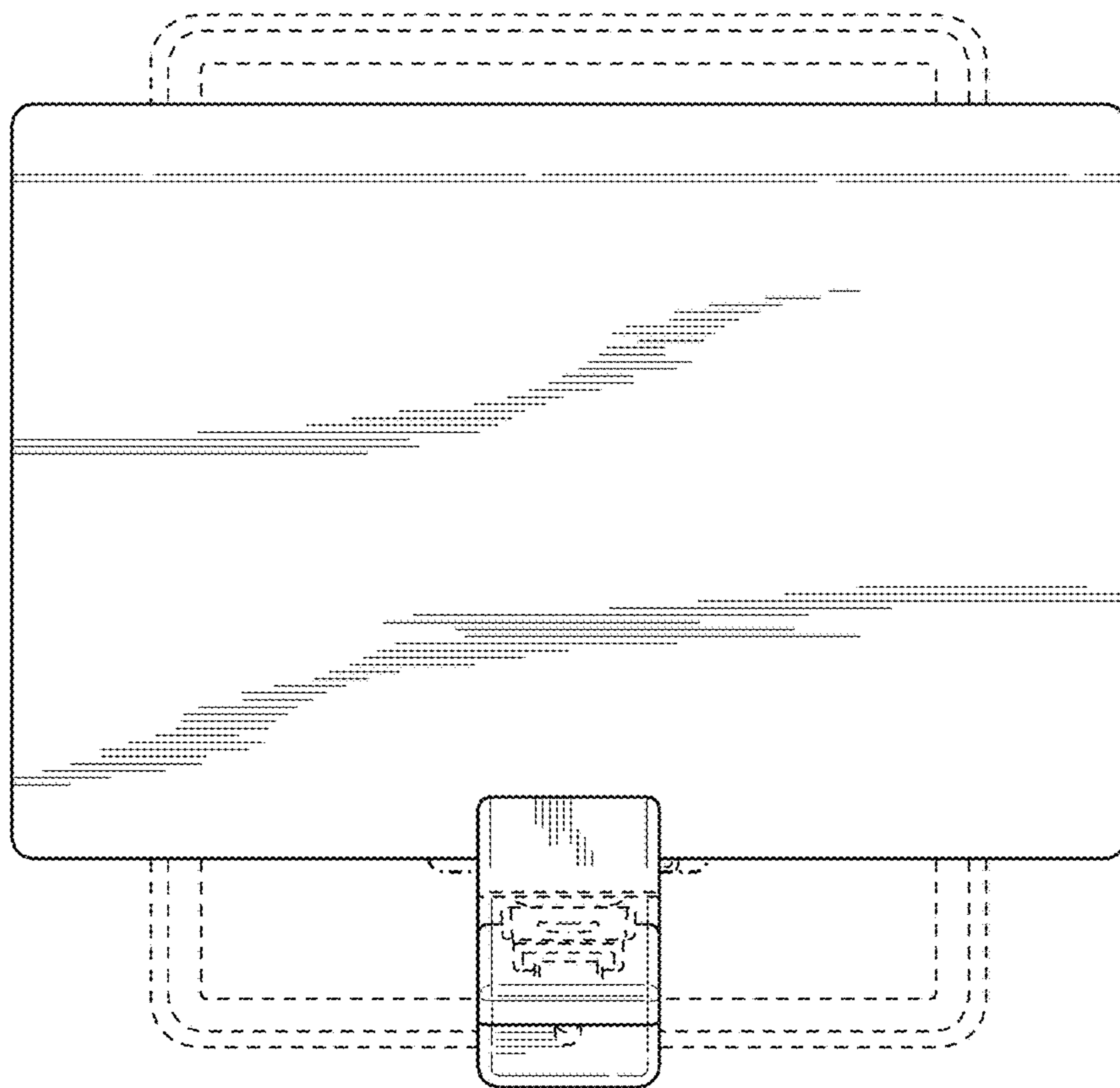


FIG. 12