



US00D849454S

(12) **United States Design Patent**  
**Webb**

(10) **Patent No.:** **US D849,454 S**

(45) **Date of Patent:** **\*\* \*May 28, 2019**

(54) **MODULAR OFFICE CUBICLE**

(71) Applicant: **Roger Webb Associates Ltd**, London (GB)

(72) Inventor: **Roger Webb**, London (GB)

(73) Assignee: **Roger Webb Associates Ltd.**, London (GB)

(\*) Notice: This patent is subject to a terminal disclaimer.

(\*\*) Term: **15 Years**

(21) Appl. No.: **29/603,460**

(22) Filed: **May 10, 2017**

**Related U.S. Application Data**

(62) Division of application No. 29/511,602, filed on Dec. 11, 2014, now Pat. No. Des. 786,571.

(30) **Foreign Application Priority Data**

Jun. 12, 2014 (EM) ..... 002481788-0002

Jun. 12, 2014 (EM) ..... 002481788-0003

(Continued)

(51) **LOC (11) Cl.** ..... **06-03**

(52) **U.S. Cl.**  
USPC ..... **D6/643; D6/643.1**

(58) **Field of Classification Search**  
USPC ..... D6/332, 336, 338, 362, 643, 643.1, 644,  
D6/648, 656, 716, 365, 688.26, 709.16,  
D6/709.17, 335; D25/58

(Continued)

(56) **References Cited**

**U.S. PATENT DOCUMENTS**

D248,437 S \* 7/1978 Robinson ..... D6/643.1

D252,635 S \* 8/1979 Richgels ..... D19/60

(Continued)

**OTHER PUBLICATIONS**

009 Focus Space—Typical Configurations—Inspiration—Okamura (on-line), no date available. Retrieved from Internet Sep. 25, 2017, URL: [http://www.okamura.jp/en\\_us/inspiration/typicals/009/index.html](http://www.okamura.jp/en_us/inspiration/typicals/009/index.html) (2 pages).\*

(Continued)

*Primary Examiner* — Vy N Koenig

*Assistant Examiner* — Kimberly Barnes

(74) *Attorney, Agent, or Firm* — Abelman, Frayne & Schwab

(57) **CLAIM**

What is claimed the ornamental design for modular office cubicle, as shown and described.

**DESCRIPTION**

FIG. 1 is a top, front, right side perspective view of a first embodiment for a modular office cubicle showing my new design;

FIG. 2 is a top, front, left side perspective view thereof;

FIG. 3 is a rear elevation view thereof;

FIG. 4 is a front elevation view thereof;

FIG. 5 is a left side elevation view thereof;

FIG. 6 is a top plan view thereof; and

FIG. 7 is another top, front, right side perspective view thereof.

FIG. 8 is a top, front, right side perspective view of a second embodiment for a modular office cubicle showing my new design;

FIG. 9 is a top, front, left side perspective view thereof;

FIG. 10 is a front elevation view thereof;

FIG. 11 is a left side elevation view thereof;

FIG. 12 is a rear elevation view thereof;

FIG. 13 is a top plan view thereof; and

FIG. 14 is another top, front, right side perspective view thereof.

FIG. 15 is a top, front, right side perspective view of a third embodiment for a modular office cubicle showing my new design;

FIG. 16 is another top, front, right side perspective view thereof;

(Continued)

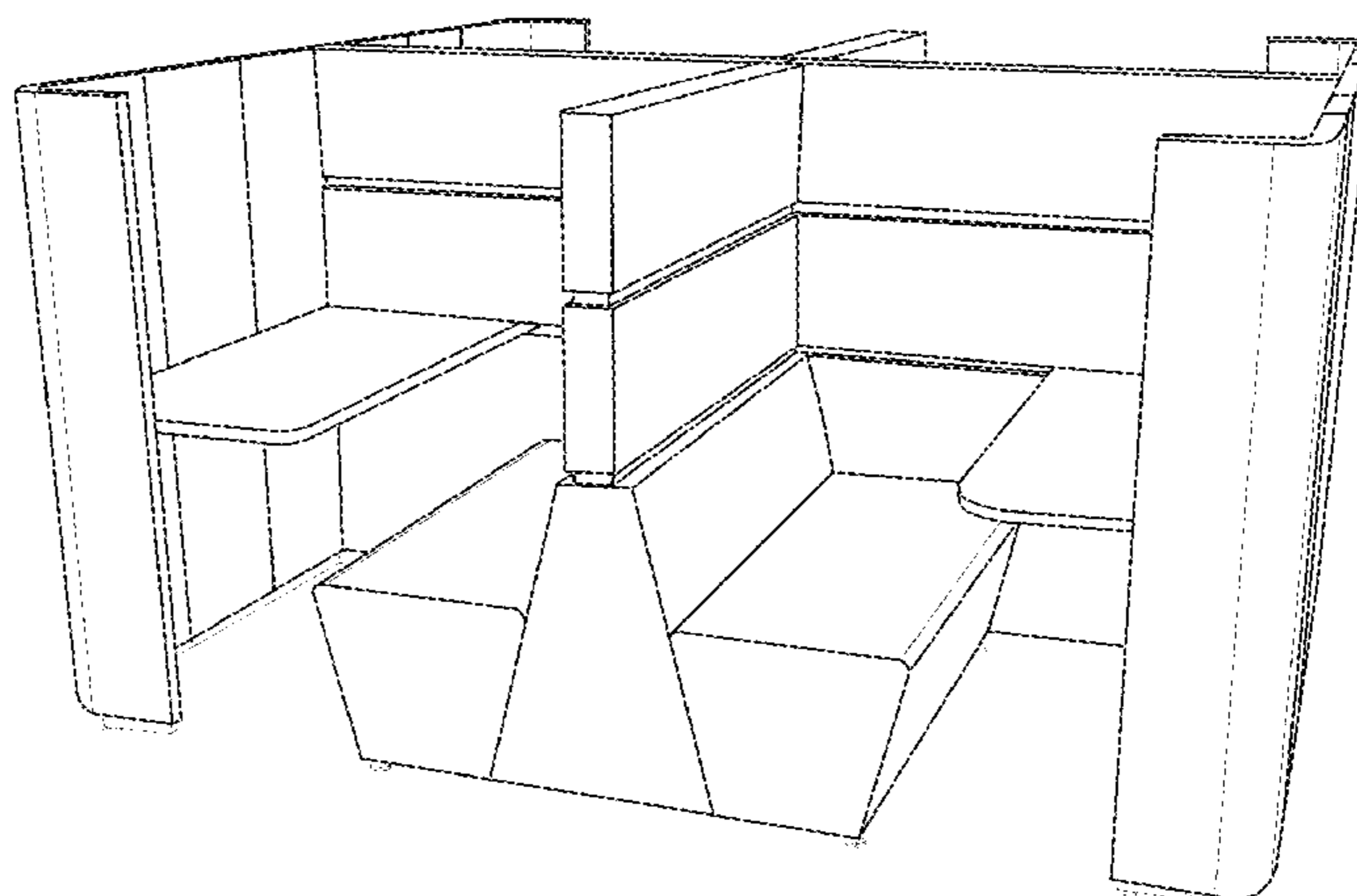
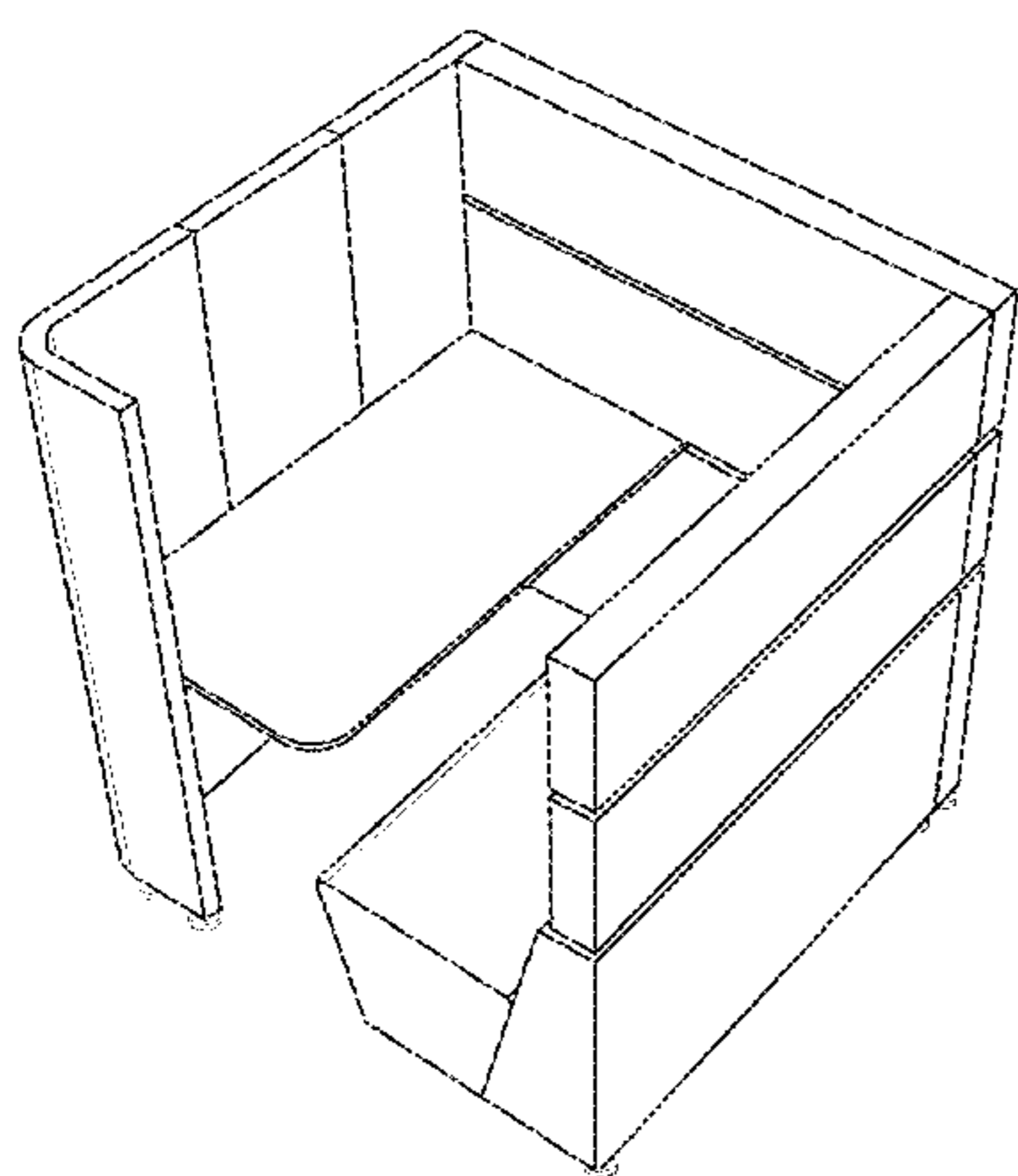


FIG. 17 is a front elevation view thereof;  
 FIG. 18 is a right side elevation view thereof, the left side elevation view being a mirror image of the right side elevation view;  
 FIG. 19 is a rear elevation view thereof;  
 FIG. 20 is a top, front, left side perspective view thereof; and,  
 FIG. 21 is a top plan view thereof.

**1 Claim, 21 Drawing Sheets**

(30) **Foreign Application Priority Data**

Jun. 12, 2014	(EM)	002481788-0004
Jun. 12, 2014	(EM)	002481788-0005
Jun. 12, 2014	(EM)	002481788-0006
Jun. 12, 2014	(EM)	002481788-0007
Jun. 12, 2014	(EM)	002481788-0008
Jun. 12, 2014	(EM)	002481788-0009
Jun. 12, 2014	(EM)	002481788-0010
Jun. 12, 2014	(EM)	002481788-0011
Jun. 12, 2014	(EM)	002481788-0012
Jun. 12, 2014	(EM)	002481788-0013
Jun. 12, 2014	(EM)	002481788-0014
Jun. 12, 2014	(EM)	002481788-0015
Jun. 12, 2014	(EM)	002481788-0016
Jun. 12, 2014	(EM)	002481788-0017
Jun. 12, 2014	(EM)	002481788-0018
Jun. 12, 2014	(EM)	002481788-0019
Jun. 12, 2014	(EM)	002481788-0020

(58) **Field of Classification Search**

CPC ..... E04B 2/74; E04B 2/7407; E04B 2/7422;  
 E04B 2/7433; E04B 2001/2481; E04B  
 1/84; E04B 1/8404; E04B 1/82; E04B  
 1/8209; E04B 1/8227; E04B 2/7401;  
 E04B 2/7416; E04B 2/7437; E04B  
 2/7405; E04B 2/7414; E04B 2/76; E04B  
 2/761; E04B 2/766; A47F 5/105; A47B  
 2220/01; A47B 2200/0067; A47B  
 2200/007; A47B 2200/0071; A47B

2200/0072; A47B 2200/0075; A47B  
 2200/12

See application file for complete search history.

(56)

**References Cited**

U.S. PATENT DOCUMENTS

4,212,090	A *	7/1980	Ehrlich	.....	A47C 17/045 297/239
D304,529	S *	11/1989	Hontz	.....	D6/332
5,967,600	A *	10/1999	Jelacic	.....	A47B 21/00 108/11
D472,395	S *	4/2003	Wills	.....	D6/336
D616,209	S *	5/2010	Singler	.....	D6/338
D623,578	S *	9/2010	Orson	.....	D12/345
8,662,447	B2 *	3/2014	Johnson	.....	B64D 11/06 244/118.5
D720,160	S *	12/2014	Lloyd	.....	D6/643
D727,042	S *	4/2015	Wagner	.....	D6/338
D728,127	S *	4/2015	Way	.....	D25/58
D732,850	S *	6/2015	Bouroullec	.....	D6/643
D739,662	S *	9/2015	Webb	.....	D6/334
D740,039	S *	10/2015	Bouroullec	.....	D6/335
D740,040	S *	10/2015	Bouroullec	.....	D6/338
D740,057	S *	10/2015	Bouroullec	.....	D6/643.1
D753,927	S *	4/2016	Webb	.....	D6/378
D753,928	S *	4/2016	Webb	.....	D6/378
D758,776	S *	6/2016	McKenna	.....	D6/717
D758,777	S *	6/2016	McKenna	.....	D6/717
D761,577	S *	7/2016	Agati	.....	D6/338
D764,826	S *	8/2016	Webb	.....	D6/381
D774,321	S *	12/2016	Webb	.....	D6/381
D775,865	S *	1/2017	Bouroullec	.....	D6/643
9,622,570	B1 *	4/2017	Holdredge	.....	A47B 5/00
D786,571	S *	5/2017	Webb	.....	D6/337
D788,495	S *	6/2017	Bouroullec	.....	D6/643.1
D796,871	S *	9/2017	Bouroullec	.....	D6/643

OTHER PUBLICATIONS

Clerkenwell Design Week 2017 Part 2—Paramount Interiors (online), dated May 30, 2017. Retrieved from Internet Oct. 31, 2017, URL: <http://paramountinteriors.com/blog/clerkenwell-design-week-2017-part-2> (3 pages).\*

Cubbi back-to-back booth with bench—SCE2B3—Connection (online), no date available. Retrieved from Internet Oct. 31, 2017, URL: <https://connection.uk.com/products/all-products/cubbi/sce2b3/> (3 pages).\*

\* cited by examiner

FIG. 1

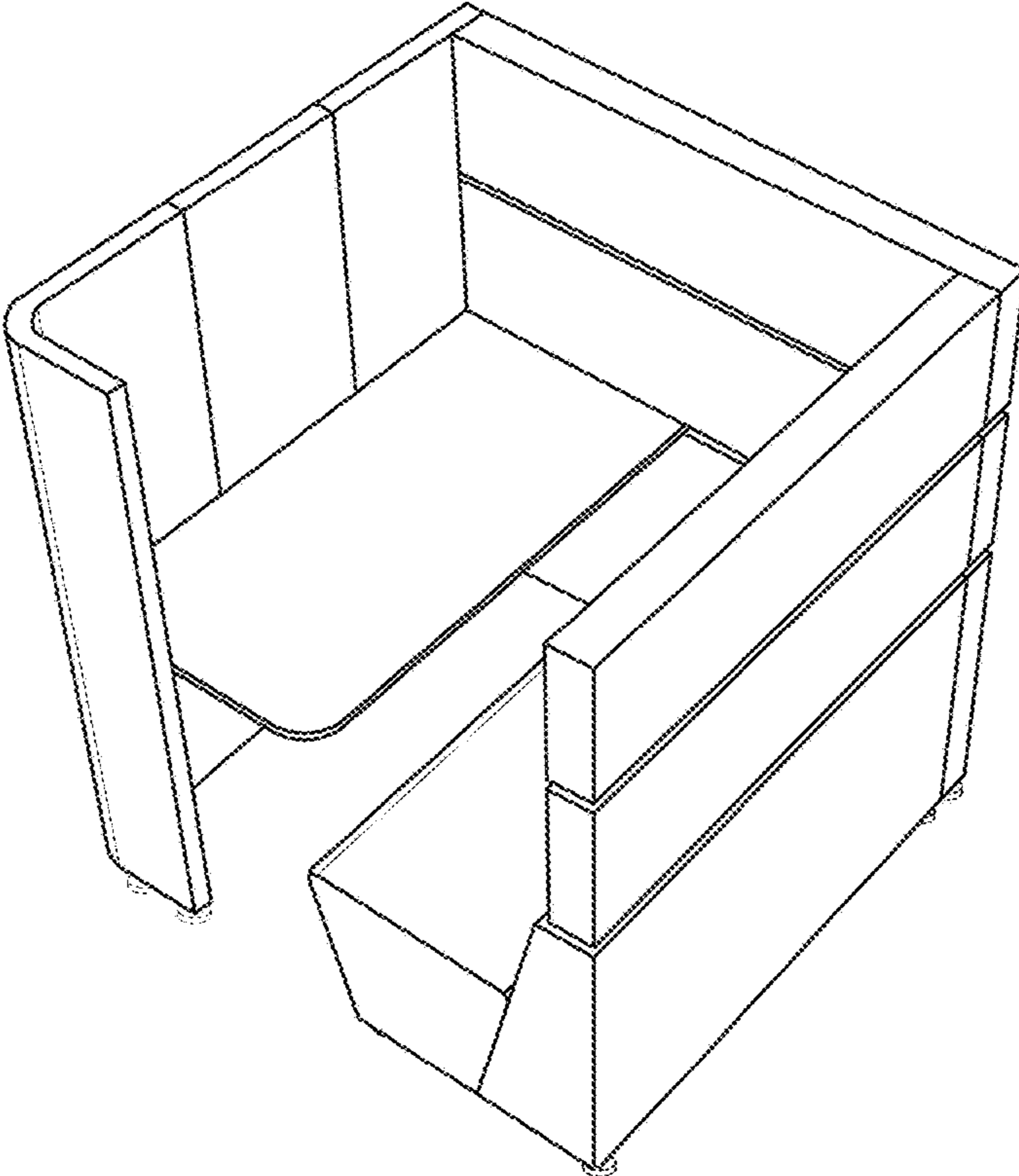


FIG. 2

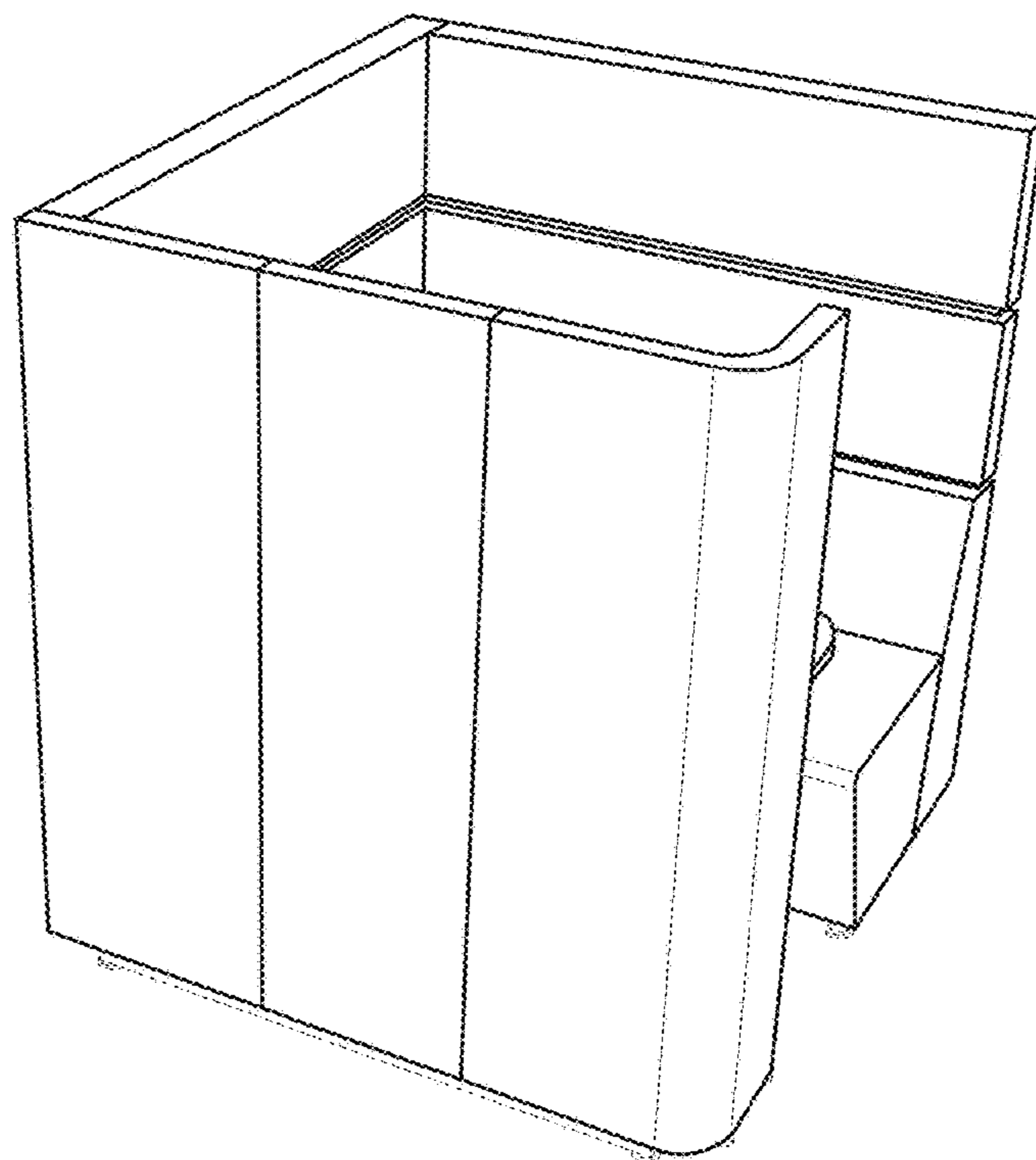


FIG. 3

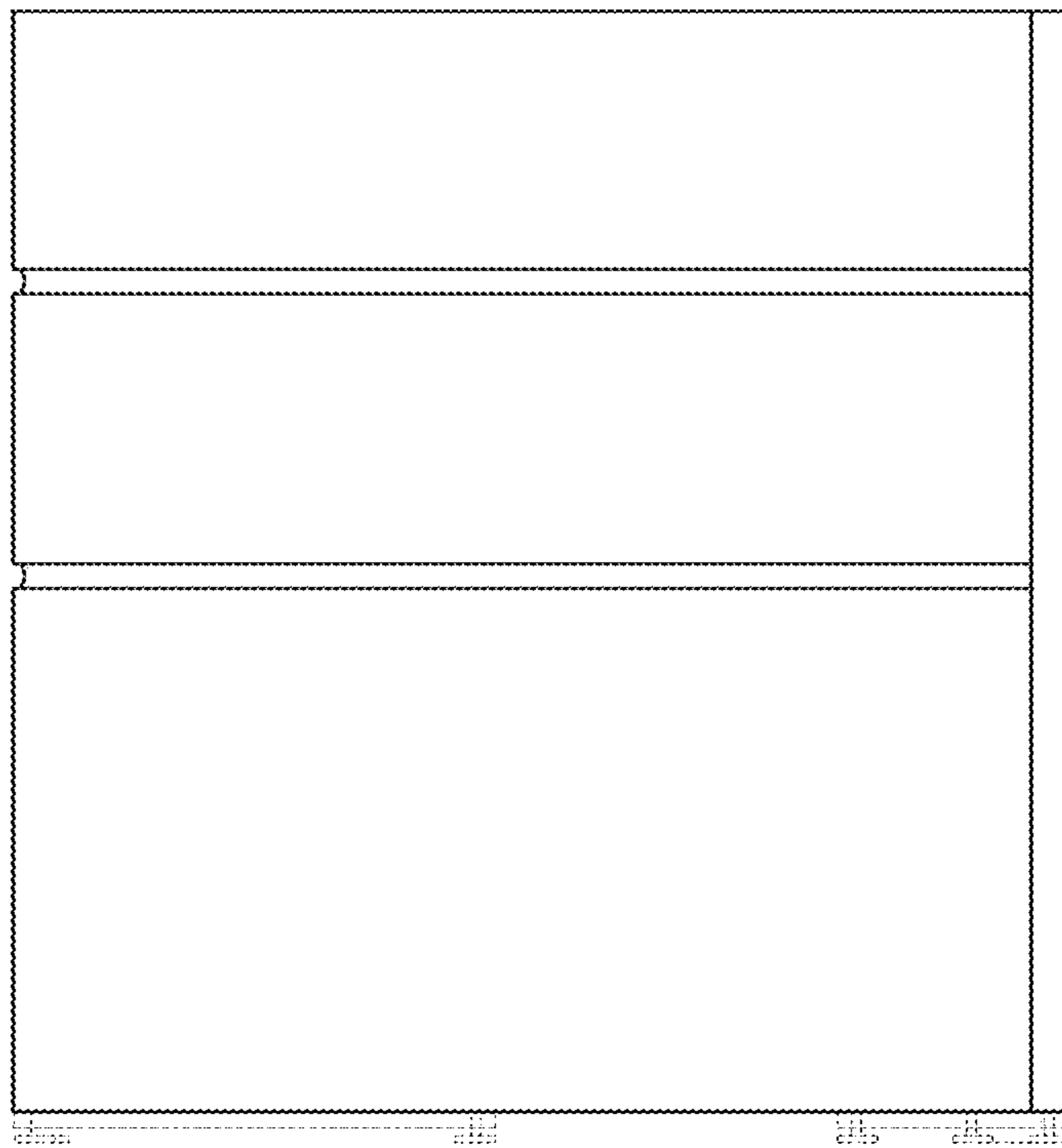


FIG. 4

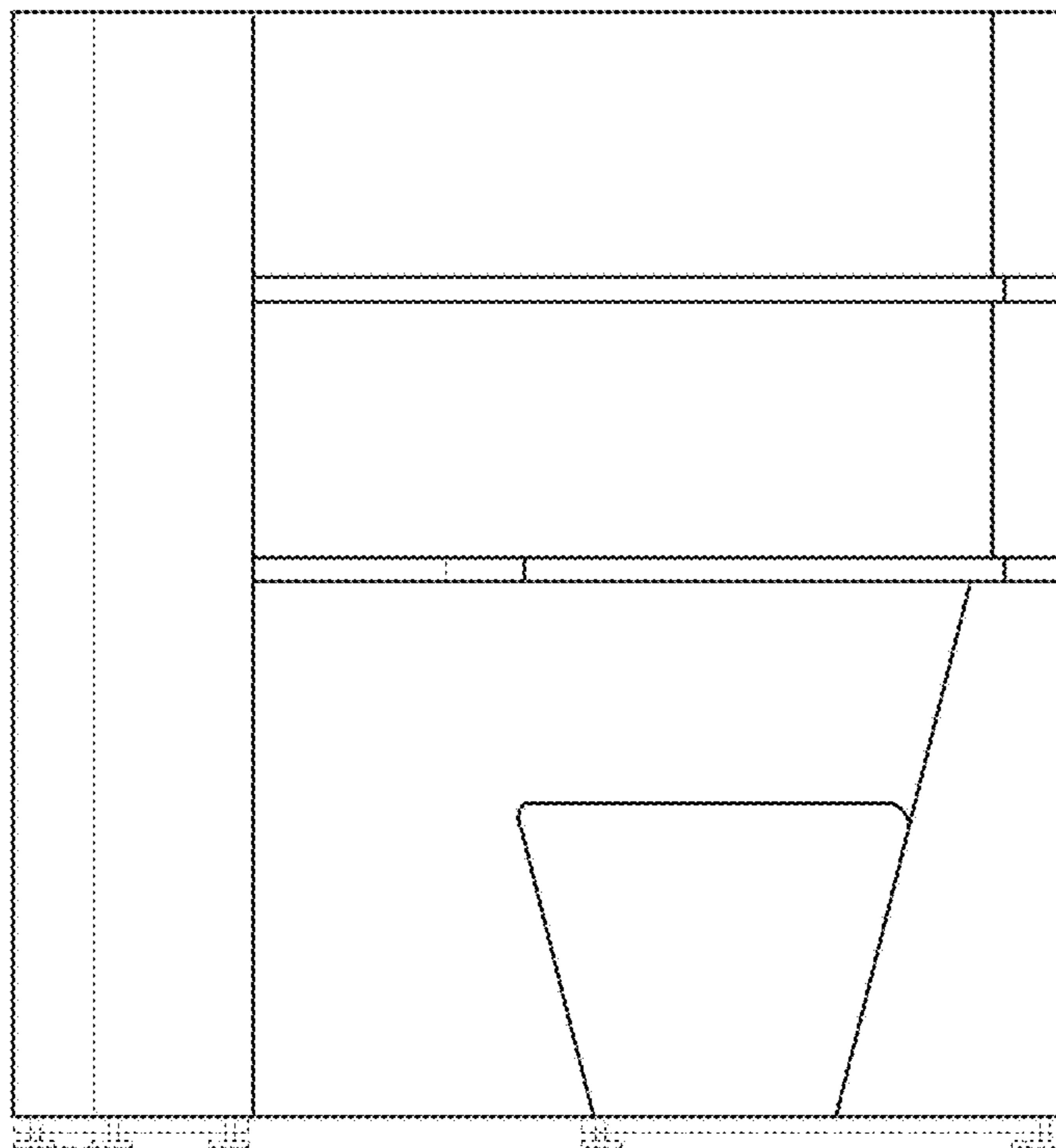


FIG. 5

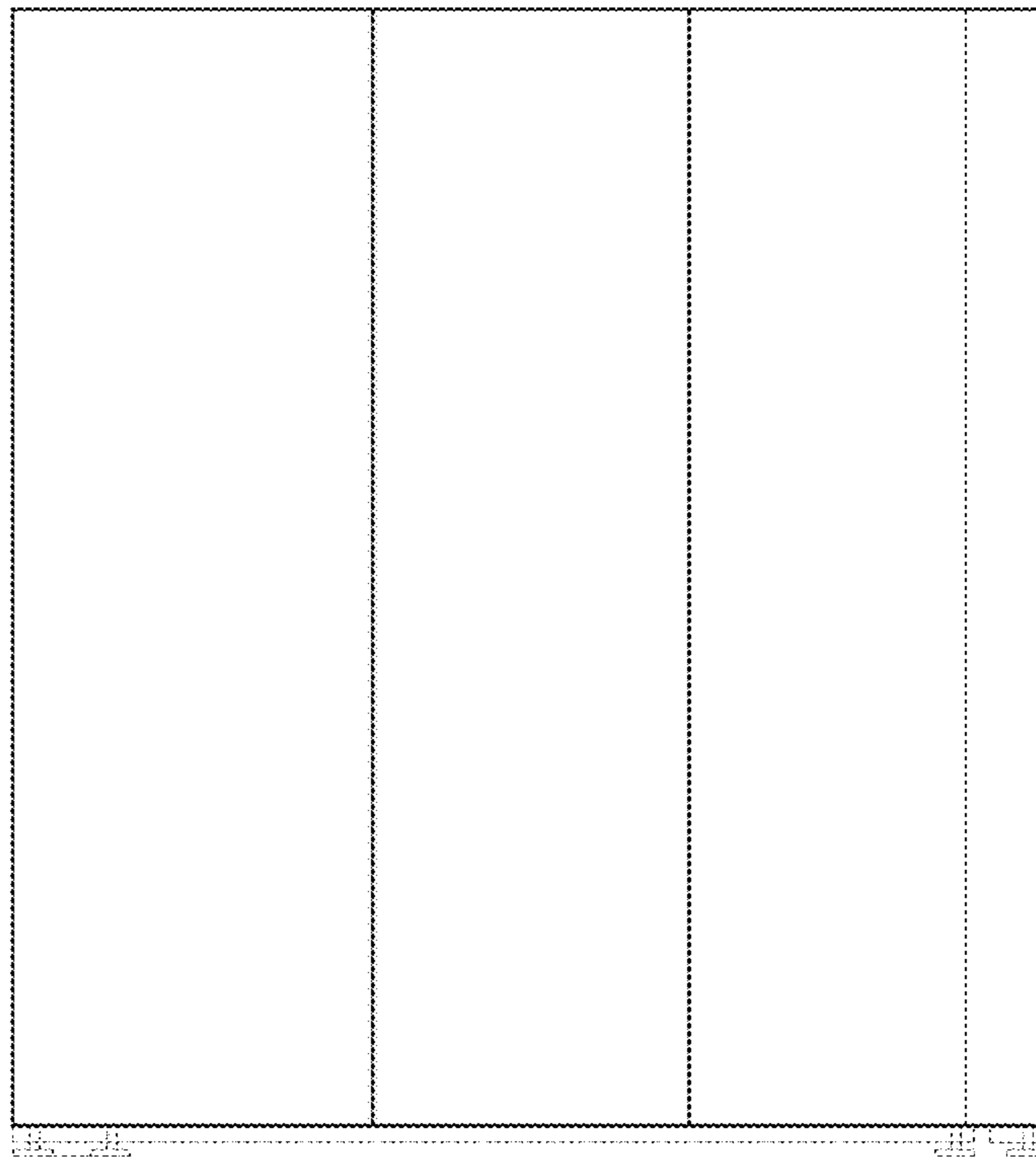


FIG. 6

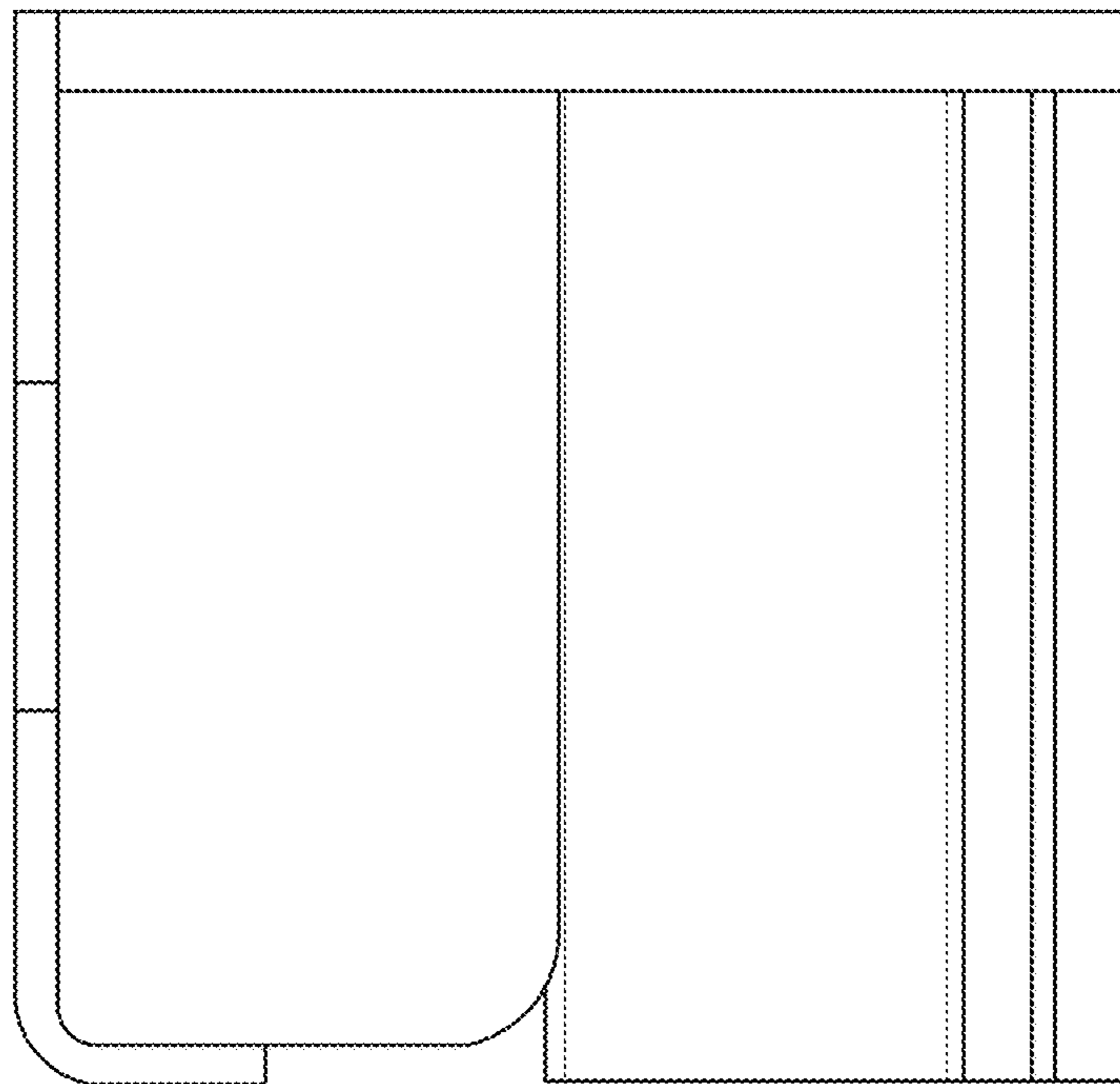
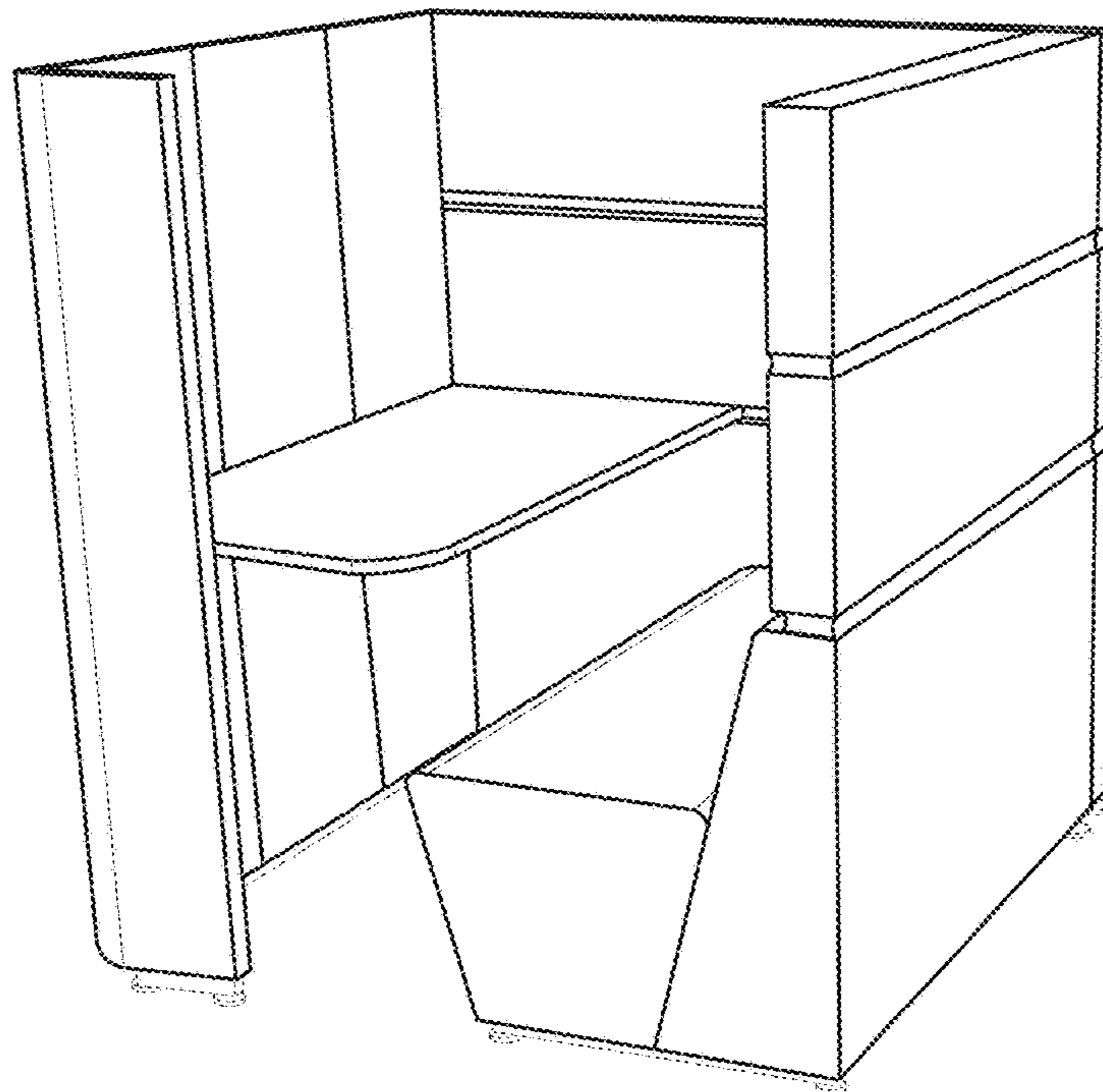




FIG. 7



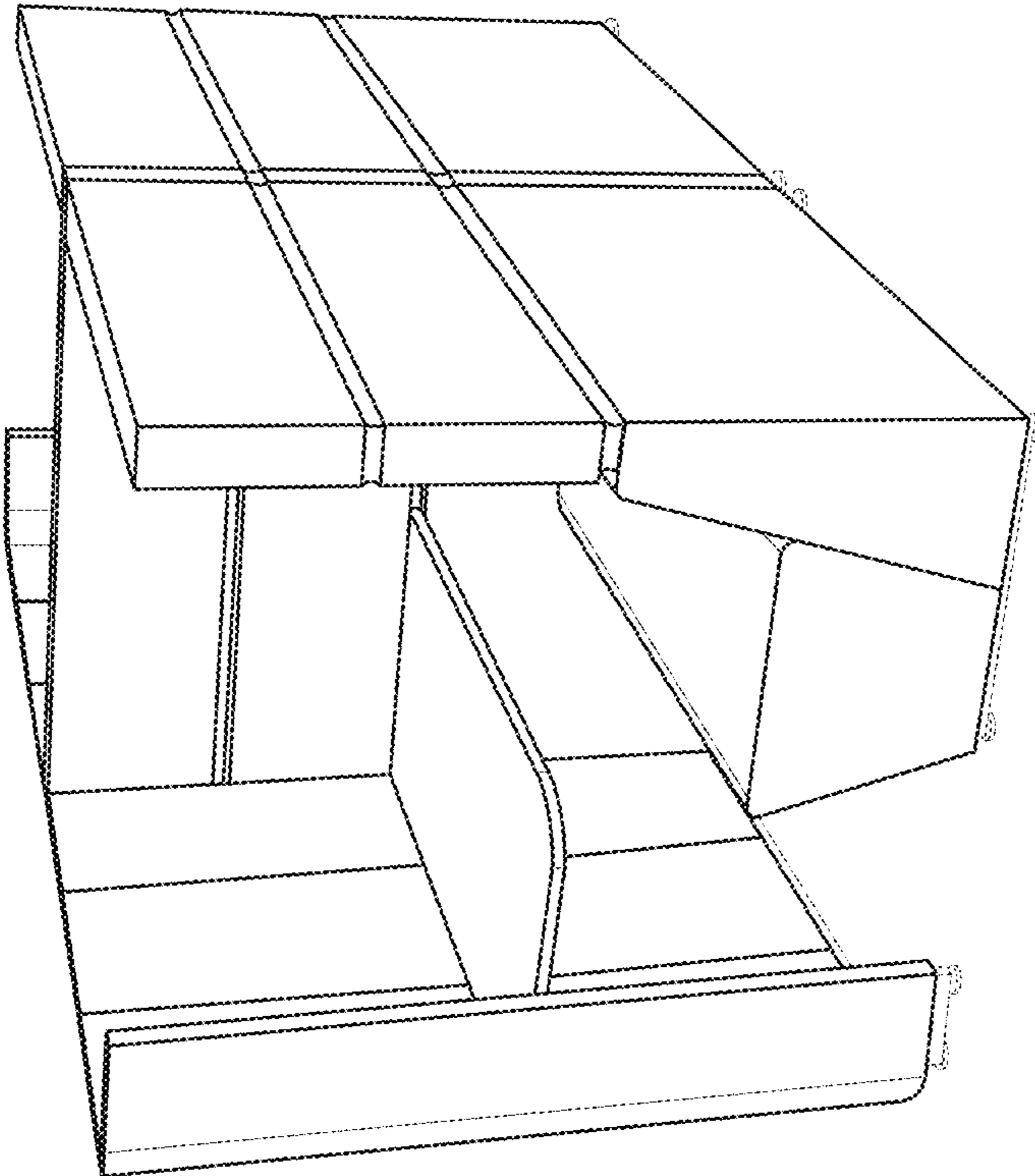


FIG. 8

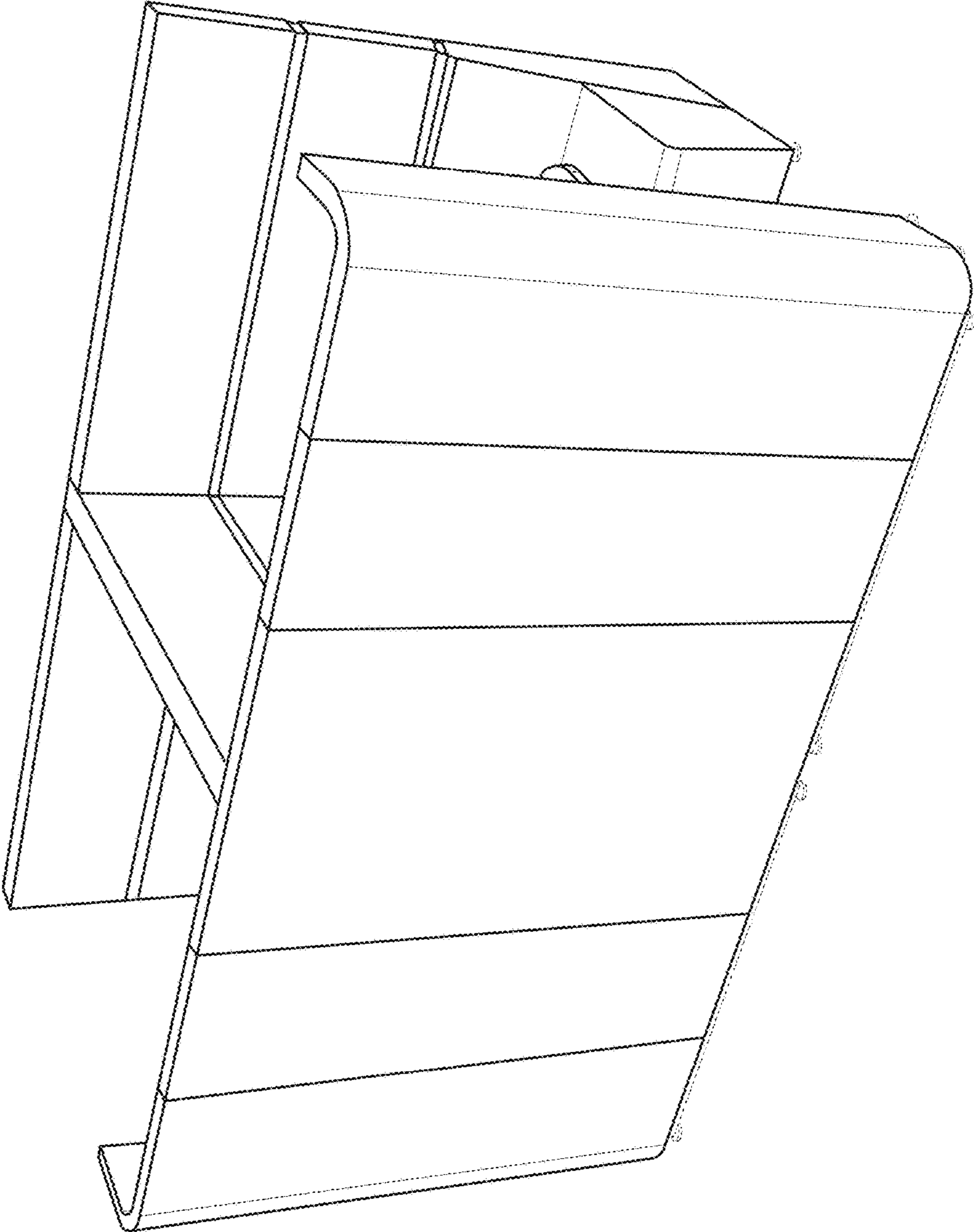


FIG. 9

FIG. 10

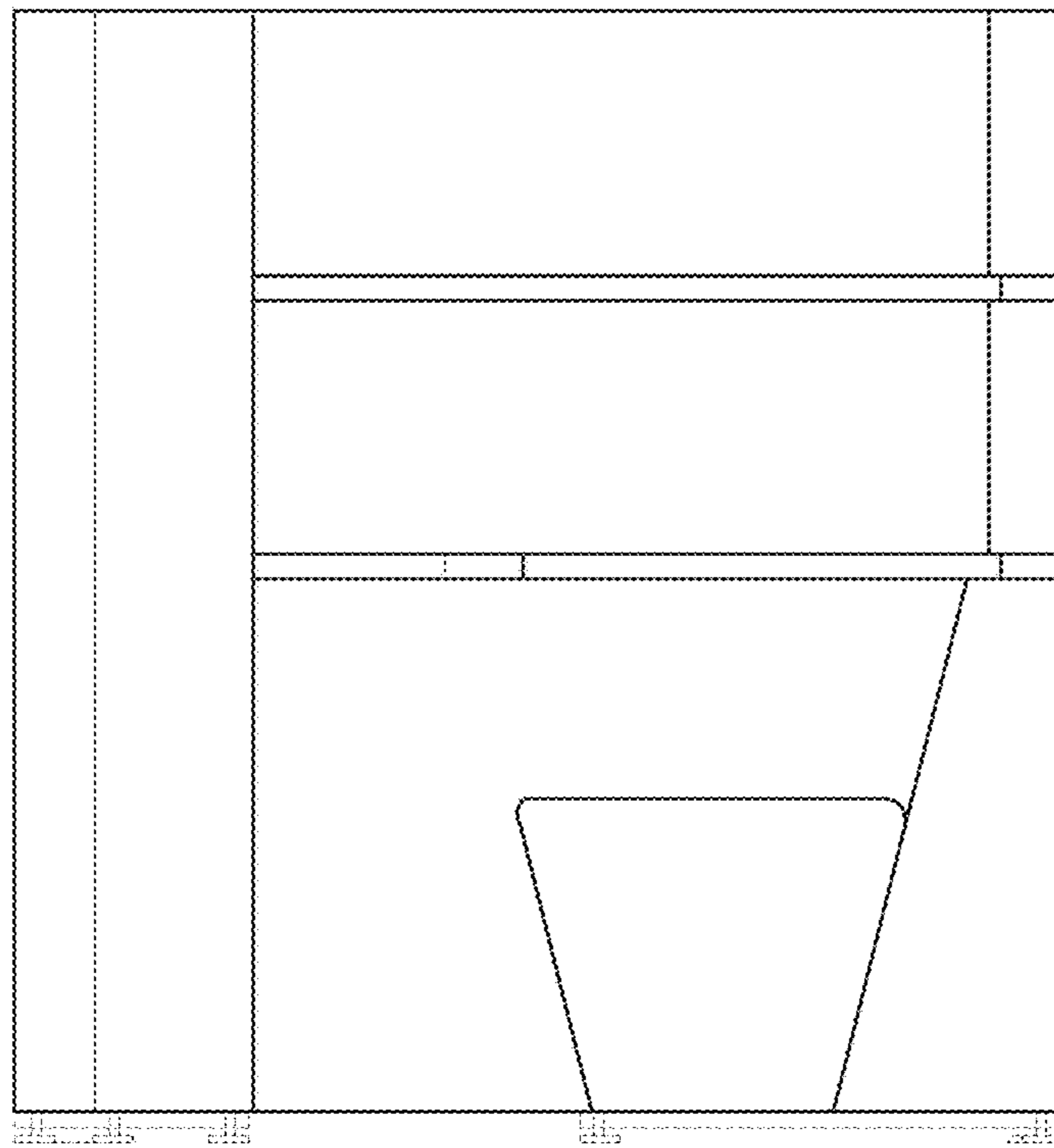


FIG. 11

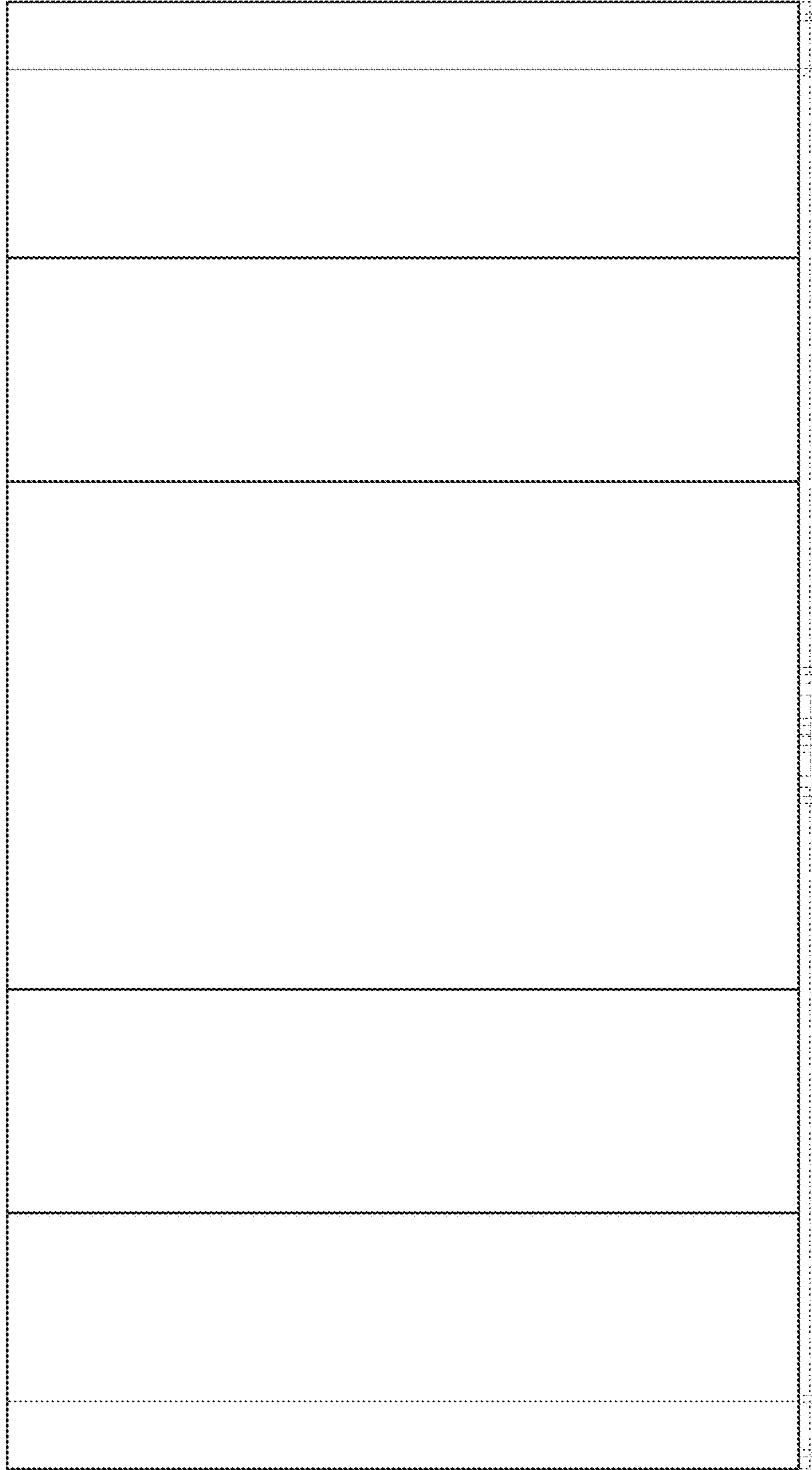


FIG. 12

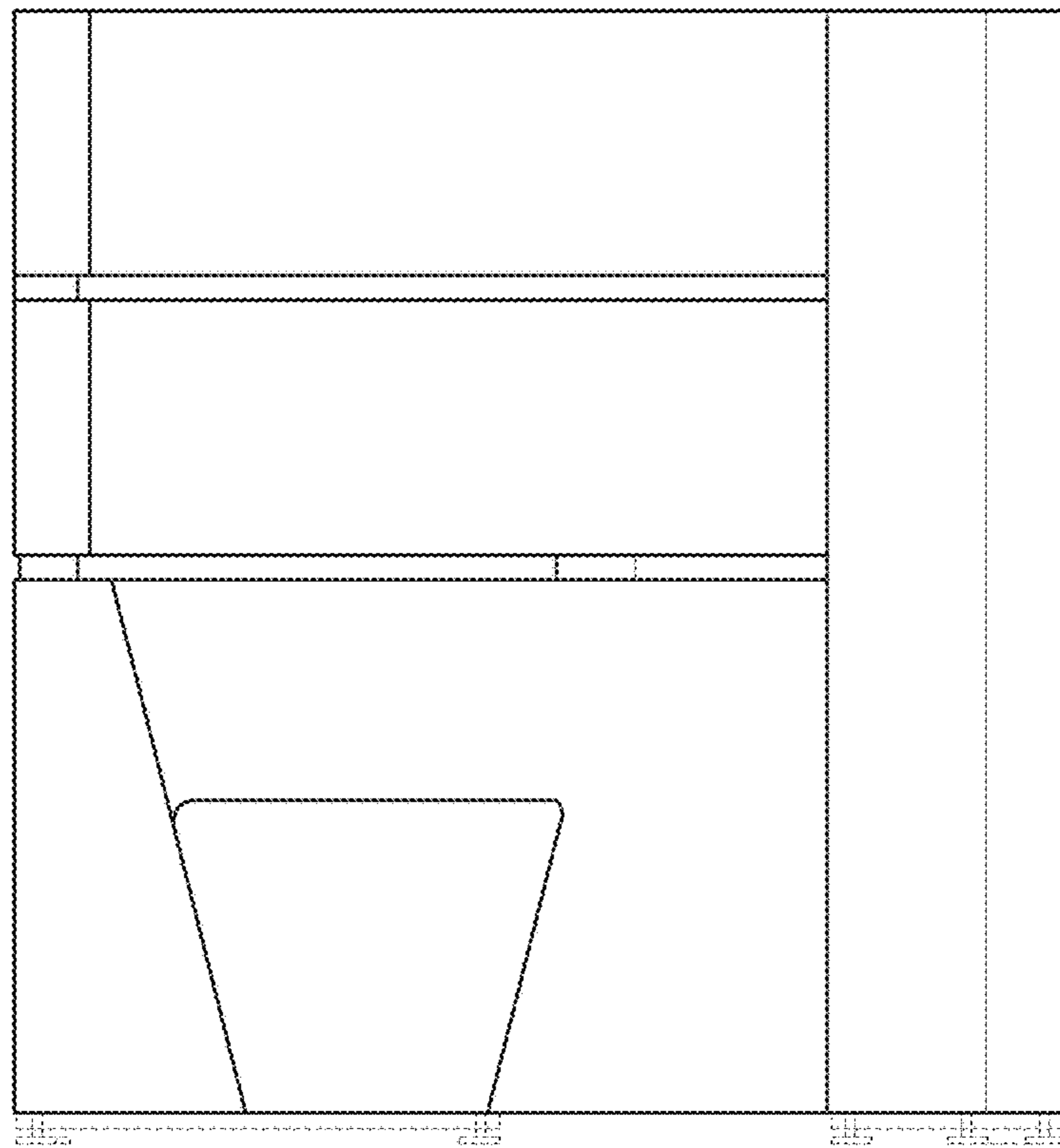
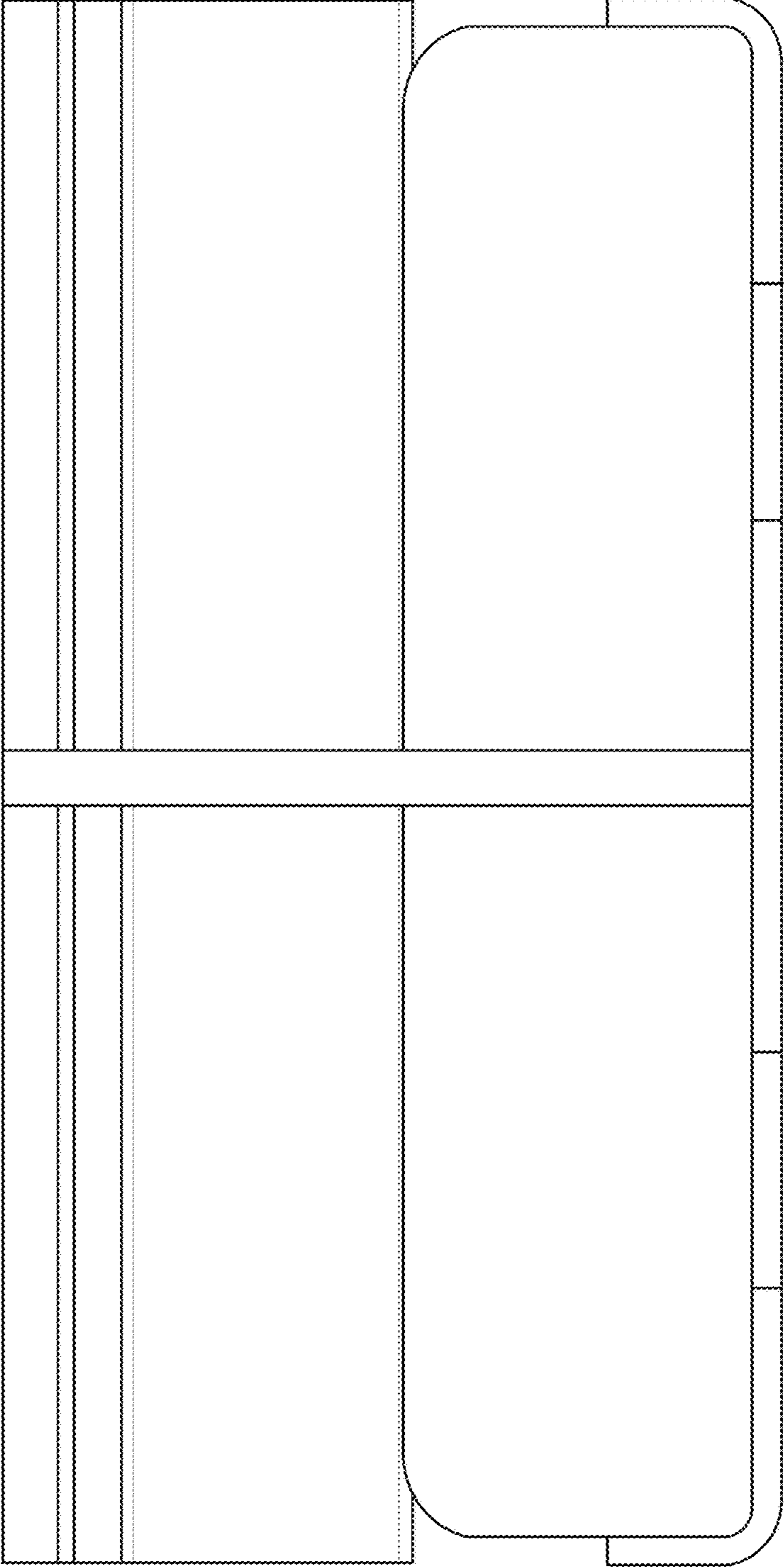


FIG. 13



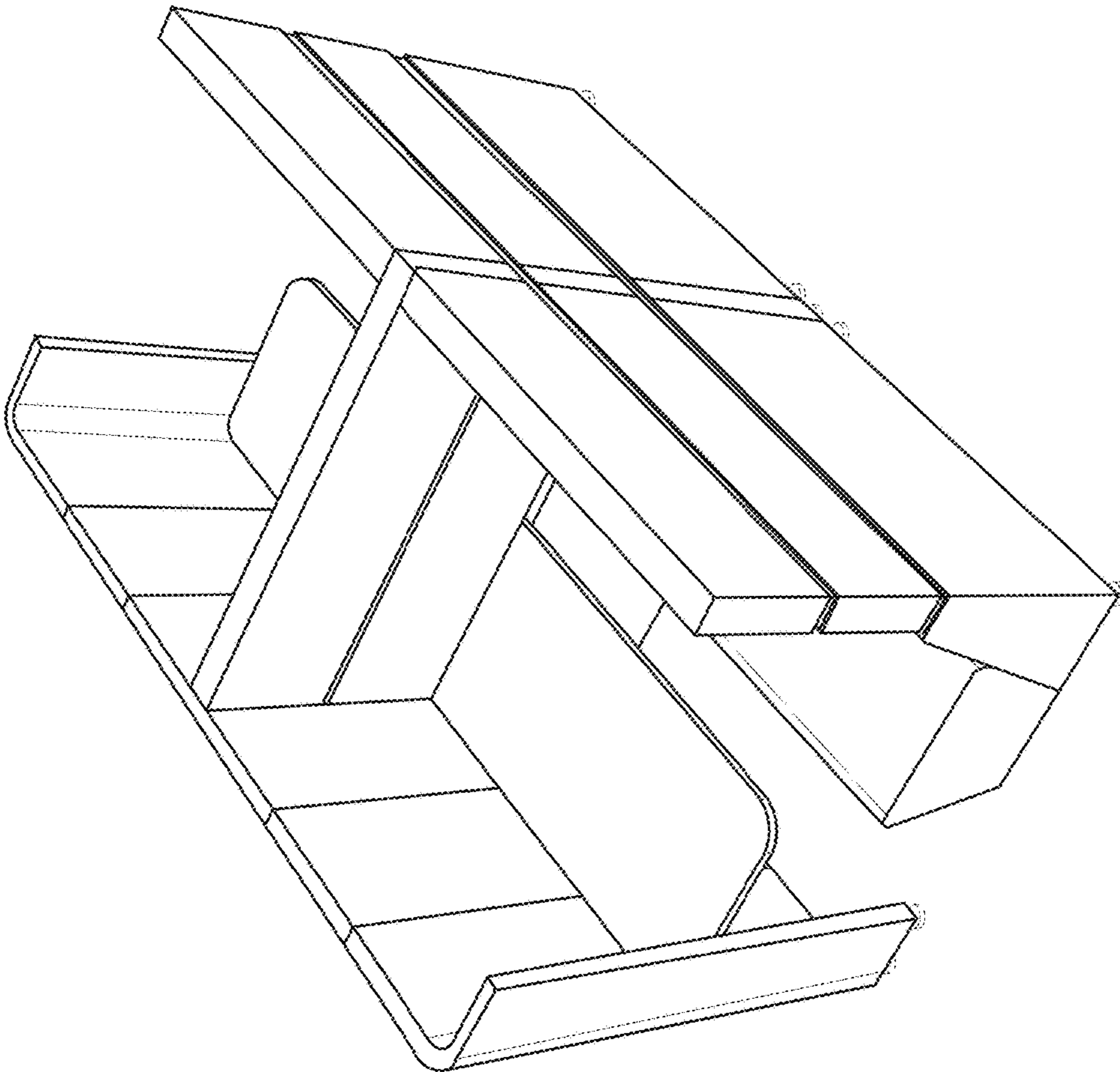


FIG. 14



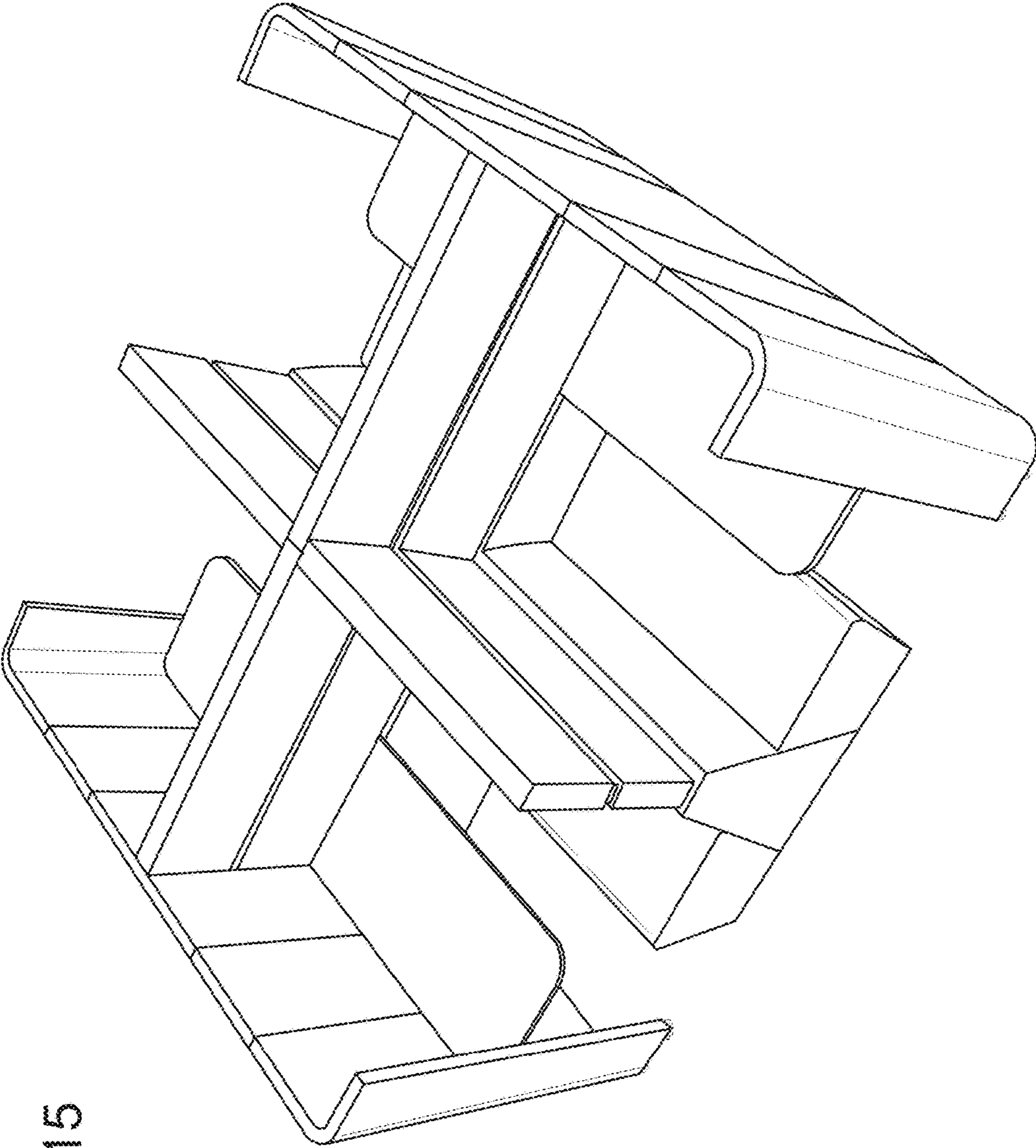


FIG. 15

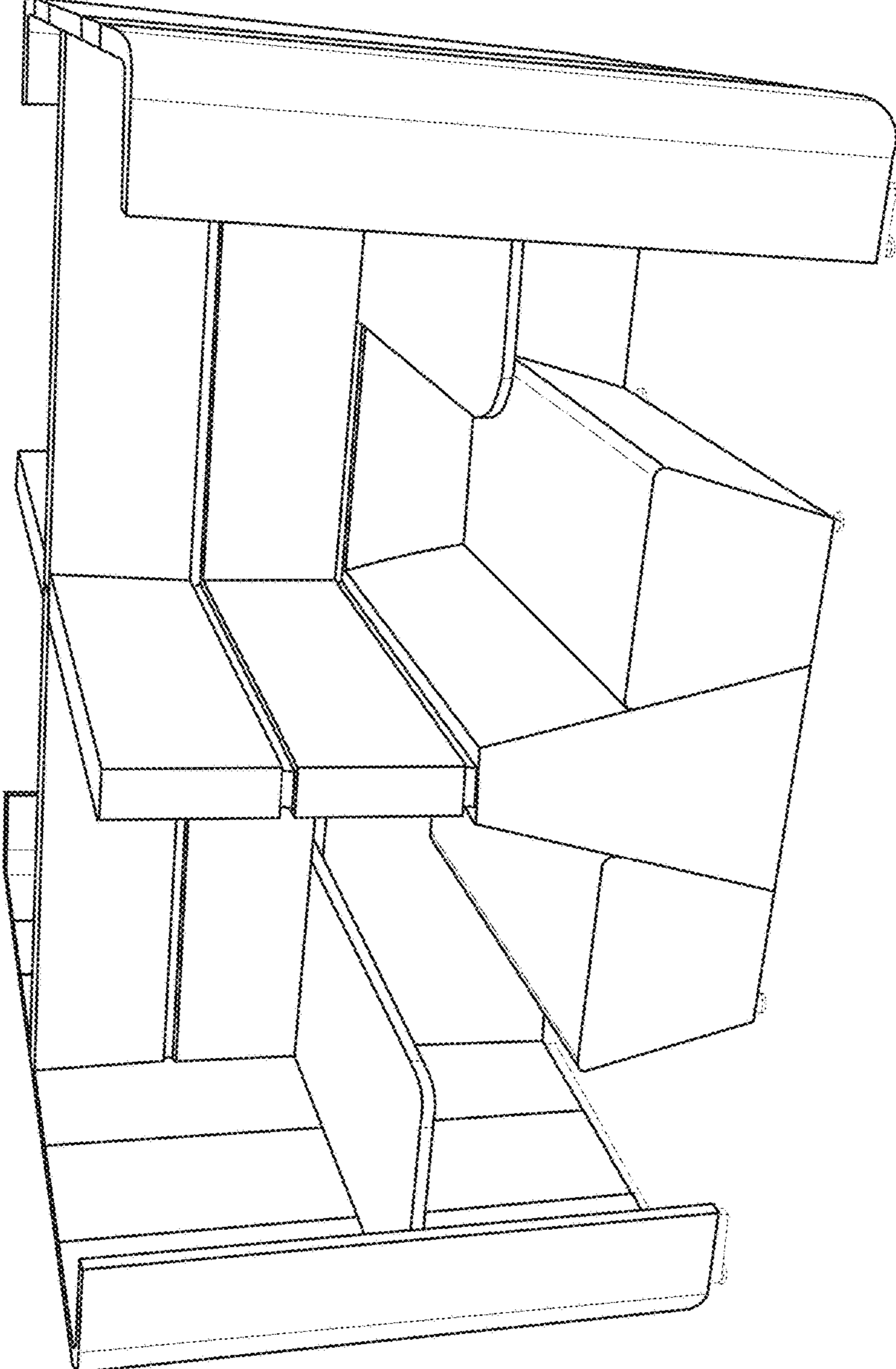


FIG. 16

FIG. 17

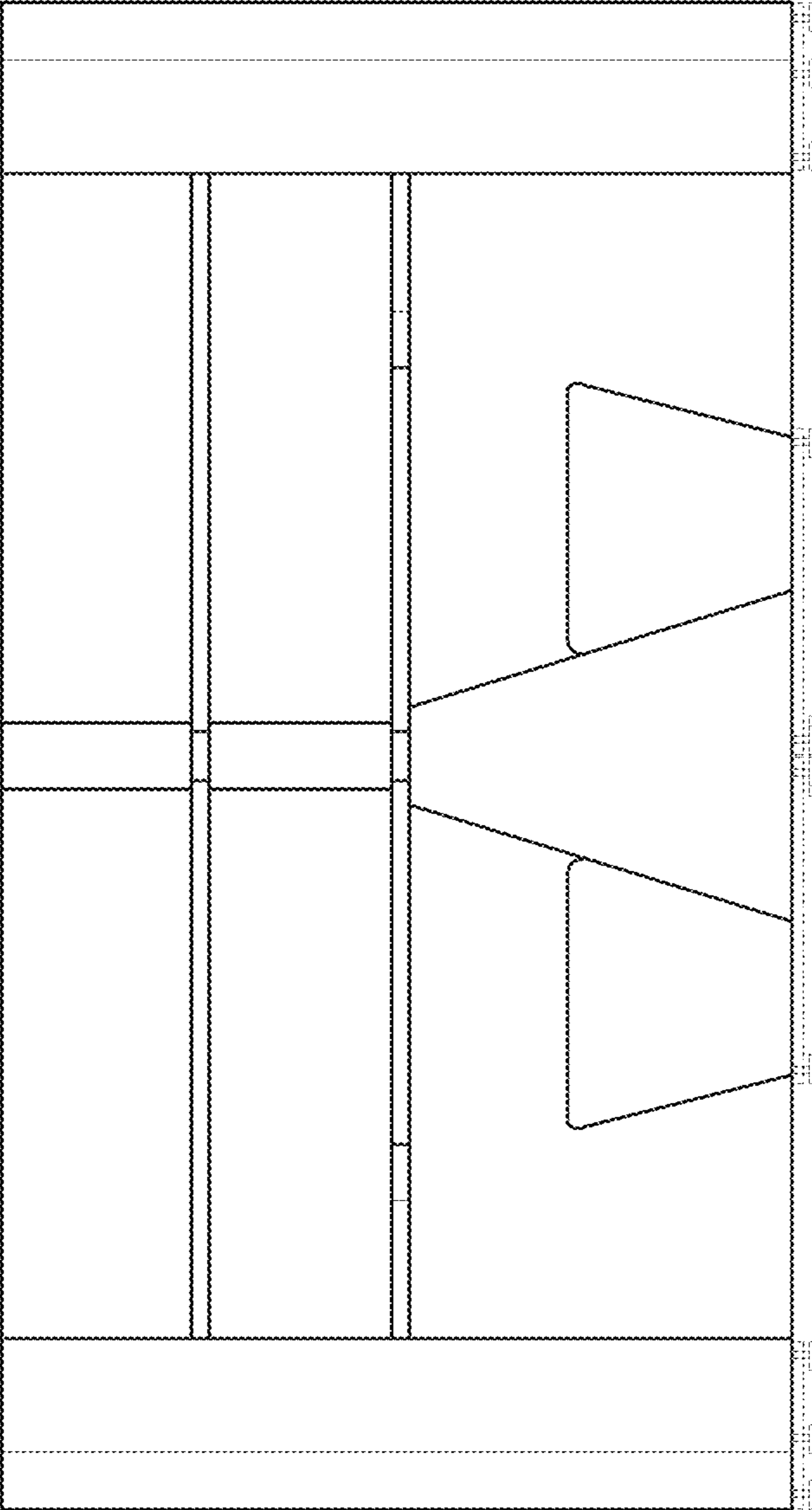


FIG. 18

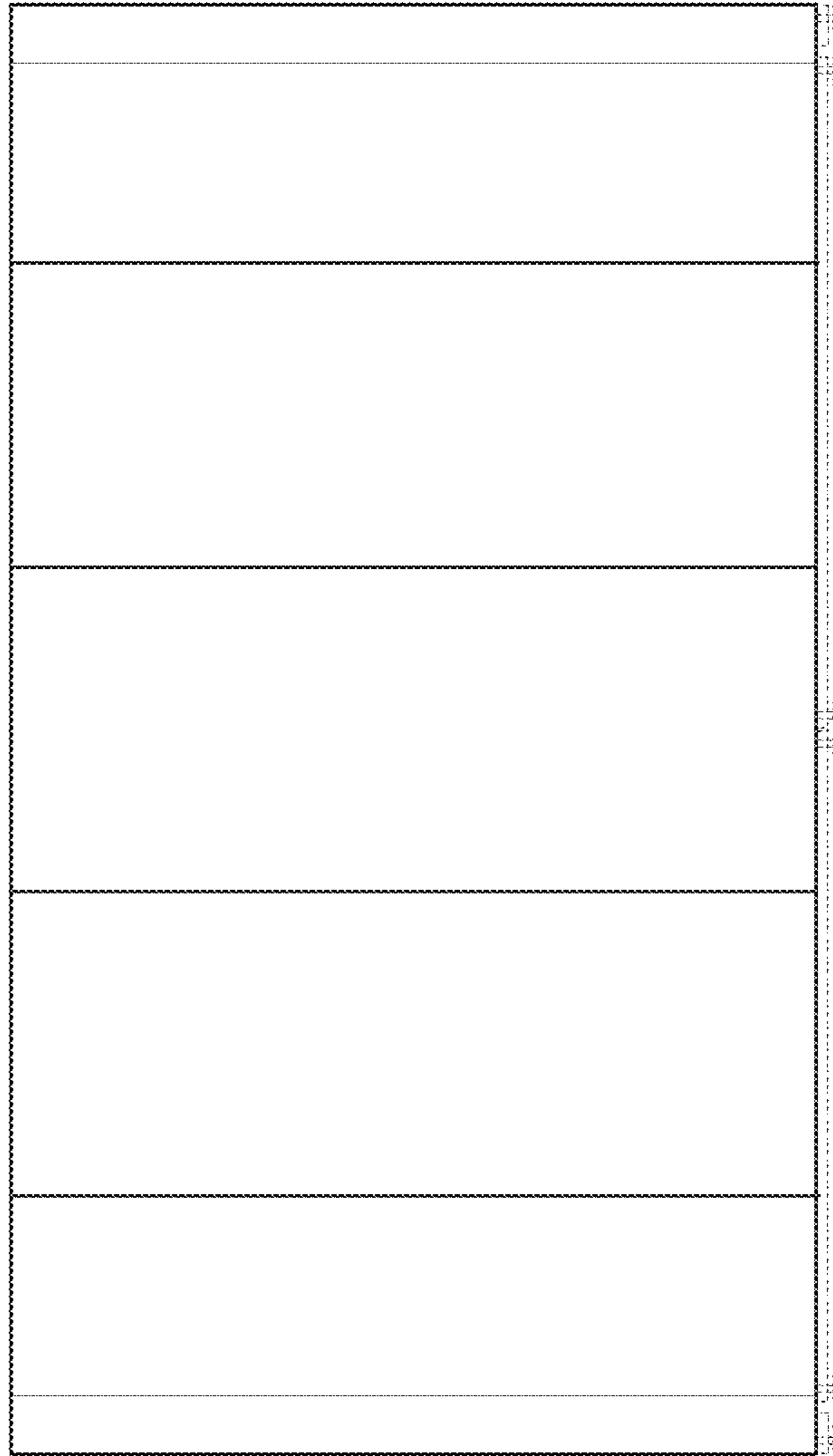
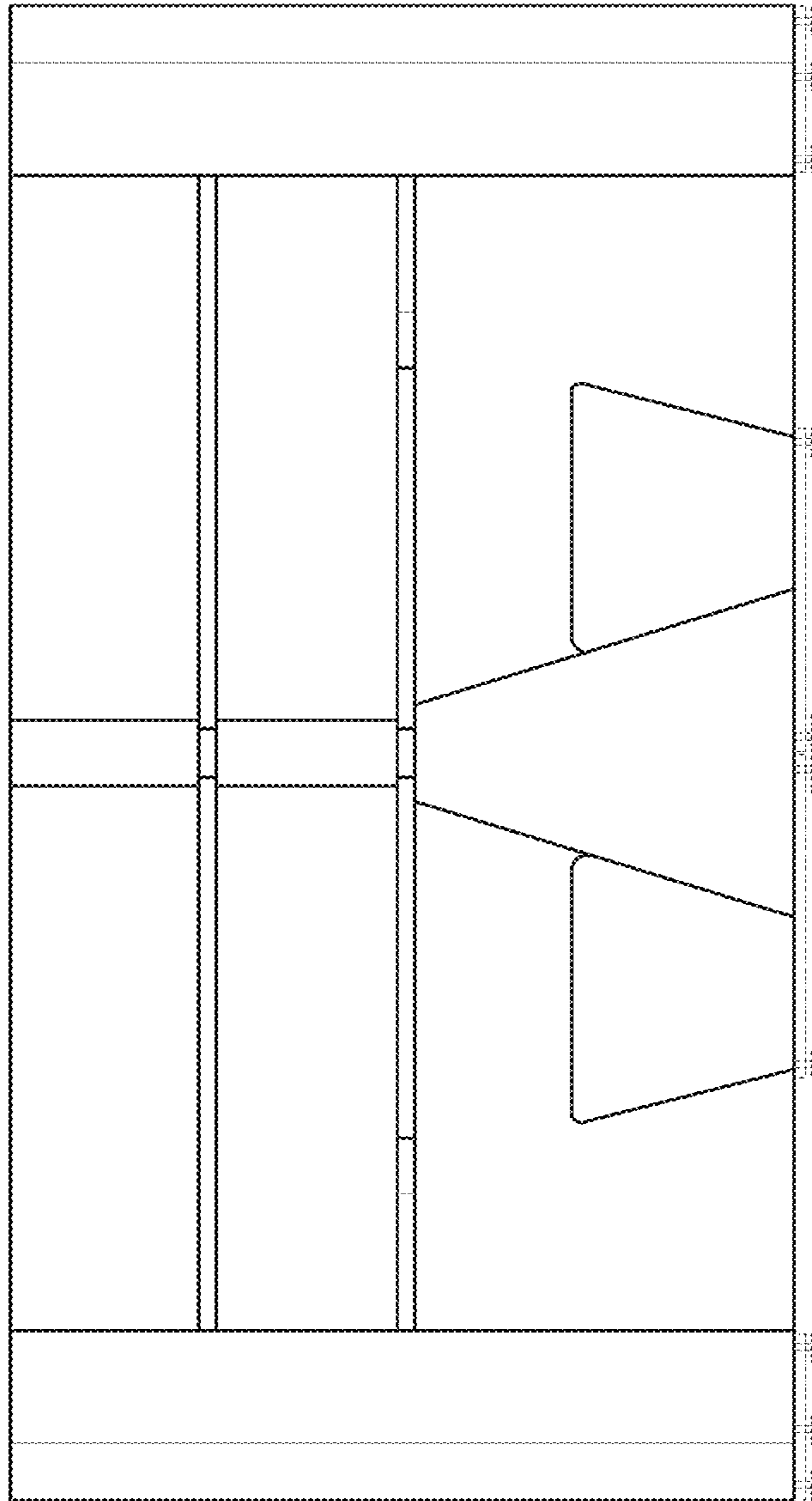


FIG. 19



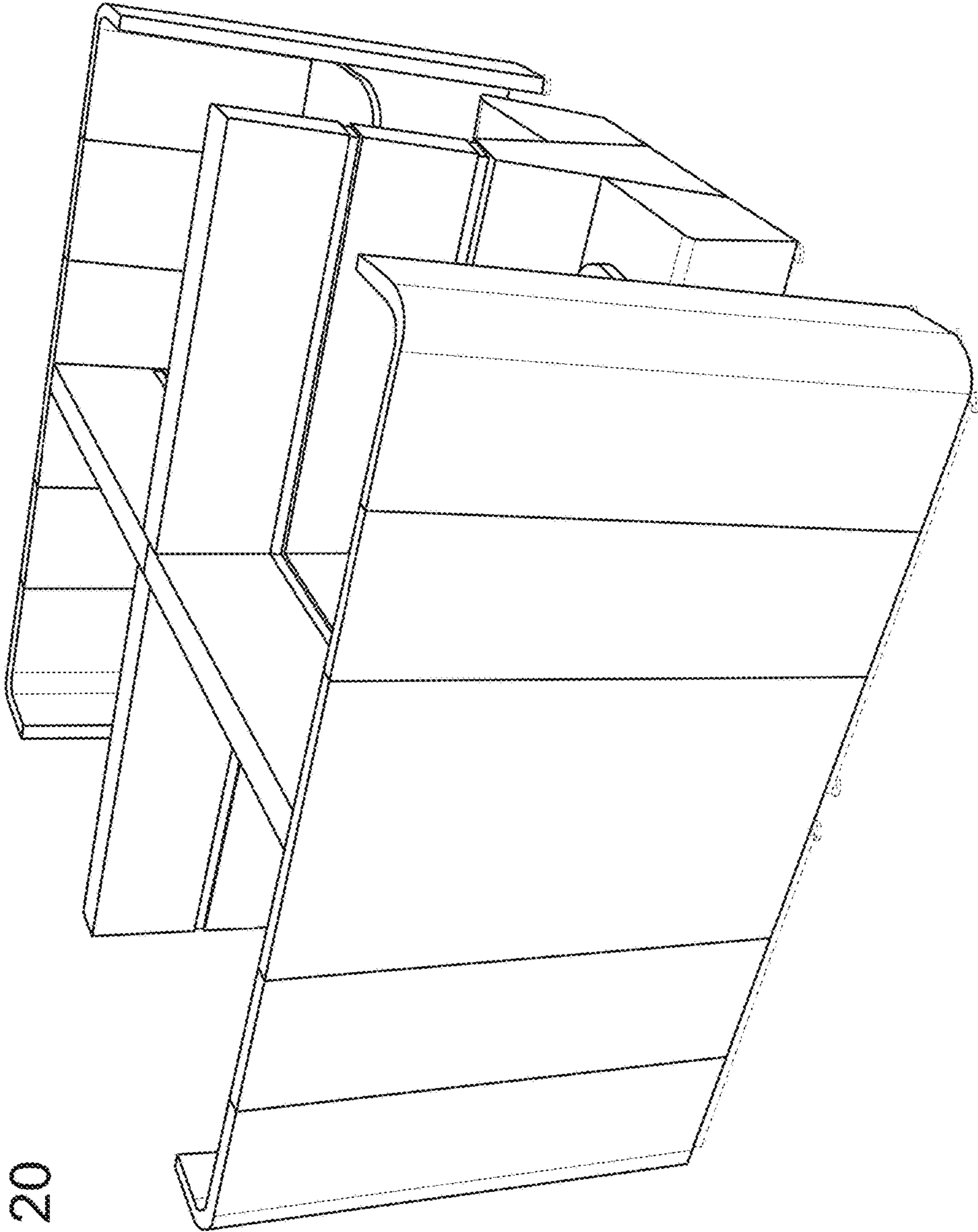


FIG. 20

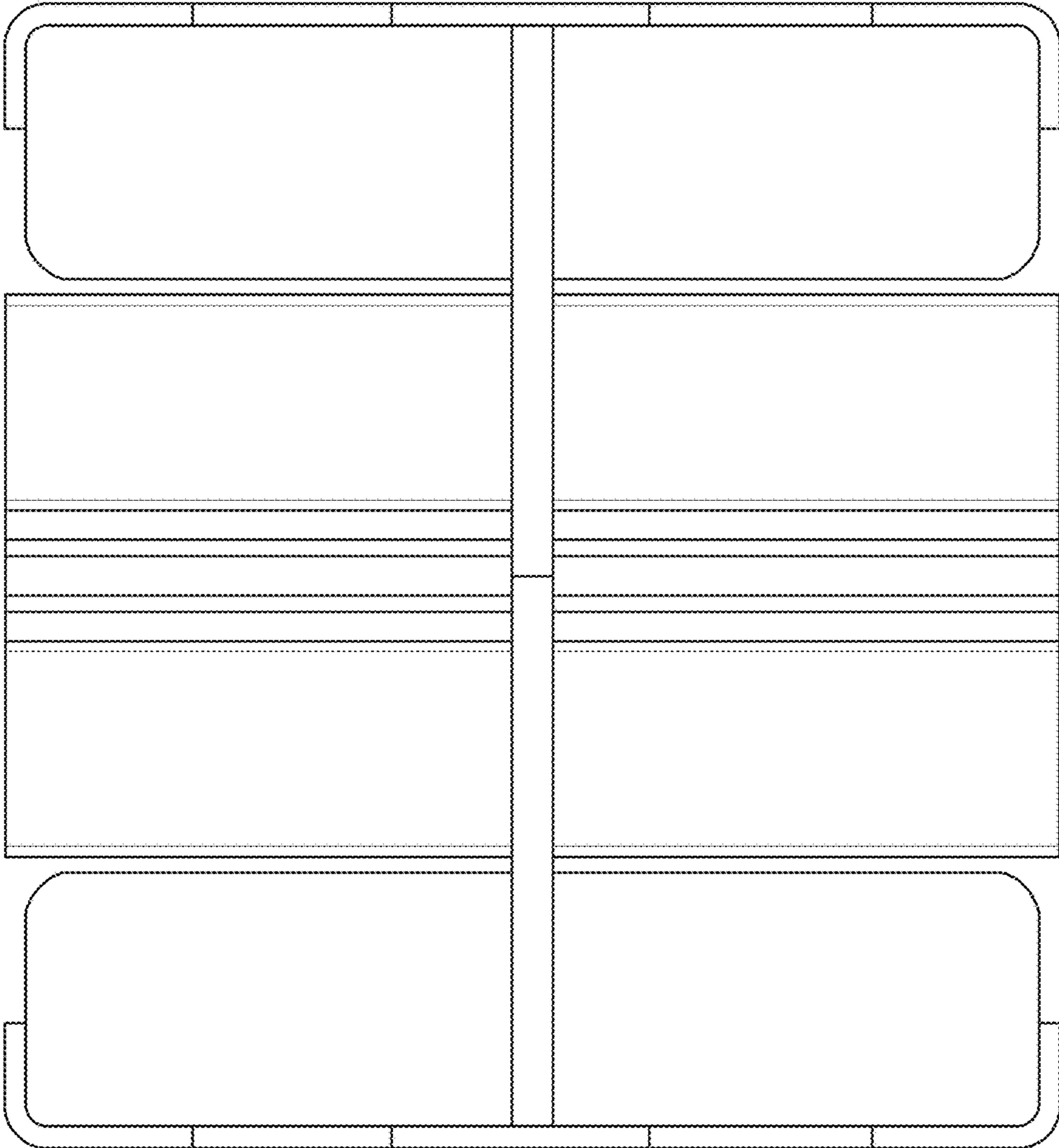


FIG. 21