



US00D849453S

(12) **United States Design Patent**
Hu

(10) **Patent No.:** **US D849,453 S**

(45) **Date of Patent:** **** May 28, 2019**

- (54) **FOLDABLE DESK**
- (71) Applicant: **Yajun Hu**, El Dorado Hills, CA (US)
- (72) Inventor: **Yajun Hu**, El Dorado Hills, CA (US)
- (73) Assignees: **Yajun Hu**, El Dorado Hills, CA (US);
EUREKA LLC, El Dorado Hills, CA (US)
- (**) Term: **15 Years**
- (21) Appl. No.: **29/627,814**
- (22) Filed: **Nov. 29, 2017**
- (51) **LOC (11) Cl.** **06-03**
- (52) **U.S. Cl.**
USPC **D6/642**
- (58) **Field of Classification Search**
USPC D6/640, 641, 642, 643, 643.1, 644, 648,
D6/648.1, 648.3, 648.4, 649, 650, 651,
D6/652, 655, 655.1, 655.11, 656, 668,
D6/685, 688.11, 688.21, 688.27, 690,
D6/695, 698, 696.1, 700, 709.22
CPC A47B 9/00; A47B 9/04; A47B 9/06; A47B
3/08; A47B 21/00; A47B 21/02; A47B
21/06; A47B 21/007; A47B 21/0314;
A47B 2009/185; A47B 2200/0013; A47B
2200/0026; A47B 2200/0085; A47B
2200/0087
See application file for complete search history.

- 5,927,214 A * 7/1999 Schwartz A47B 3/0815
108/115
 - 6,041,723 A * 3/2000 Peterson A47B 3/00
108/115
 - D478,225 S 8/2003 Wang
 - D499,273 S 12/2004 Chang
 - D499,576 S 12/2004 Long
 - D526,812 S 8/2006 Chen
 - D547,970 S 8/2007 Chou
 - D549,009 S 8/2007 Lin
 - 9,516,942 B2 * 12/2016 Mery A47B 3/0918
 - 9,591,919 B2 3/2017 Ergun et al.
 - D786,594 S * 5/2017 Yamamoto D6/702
- (Continued)

- (56) **References Cited**
U.S. PATENT DOCUMENTS
2,750,243 A * 6/1956 Zielfeldt A47B 3/0803
108/1
- 4,934,280 A * 6/1990 Bae A47B 3/0912
108/115
- 4,955,294 A * 9/1990 Abe A47B 17/02
108/6
- D355,088 S * 2/1995 Dobbs D6/656

OTHER PUBLICATIONS

Eureka Ergonomic Folding Desk, posted at Amazon.com, posted on Jan. 24, 2018, site visited Feb. 26, 2019. online, available from internet: <https://www.amazon.com/EUREKA-ERGONOMIC-Folding-Wheels-Cherry/dp/B0799F6V1L> (Year: 2018).*

Primary Examiner — Mary Ann Calabrese
Assistant Examiner — Catherine Ho

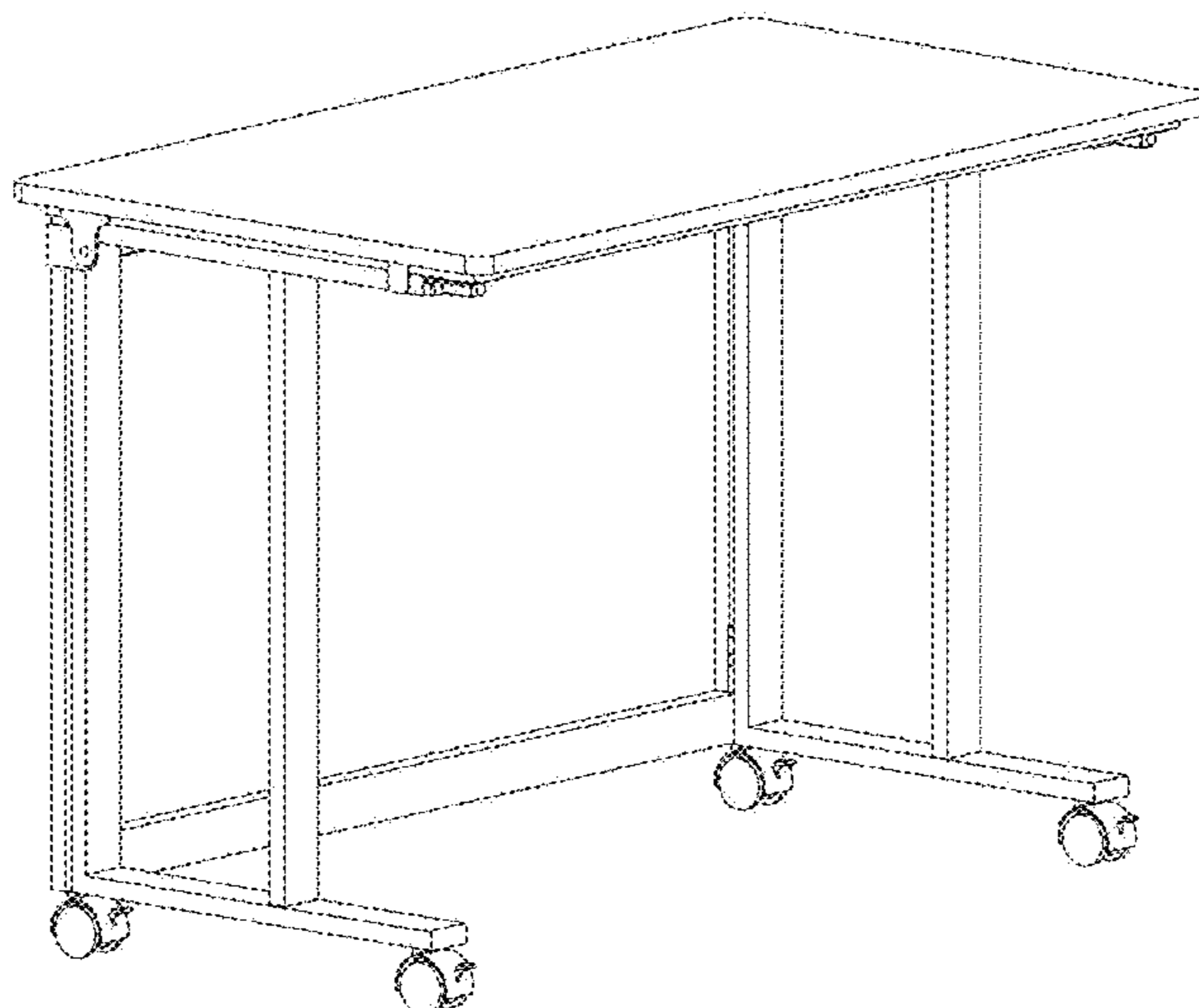
(57) **CLAIM**

The ornamental design for a foldable desk, as shown and described.

DESCRIPTION

FIG. 1 is a perspective view of a foldable desk, showing my new design;
FIG. 2 is a bottom perspective view thereof;
FIG. 3 is a perspective view of a foldable desk shown in a collapsed positions;
FIG. 4 is a front view of FIG. 1;
FIG. 5 is a bottom view thereof;
FIG. 6 is a top view thereof;
FIG. 7 is a rear side view thereof;
FIG. 8 is a left side view thereof; and,
FIG. 9 is a right side view thereof.

1 Claim, 9 Drawing Sheets



(56)

References Cited

U.S. PATENT DOCUMENTS

9,635,932	B2	5/2017	Kelley et al.	
2004/0173124	A1*	9/2004	Chang	A47B 21/00 108/50.01
2016/0220015	A1*	8/2016	Merey	A47B 3/0918
2017/0238696	A1*	8/2017	Ehrreich	A47B 5/04
2017/0332777	A1*	11/2017	Yoon	A47B 39/06
2018/0177290	A1*	6/2018	Kim	A47B 25/003

* cited by examiner

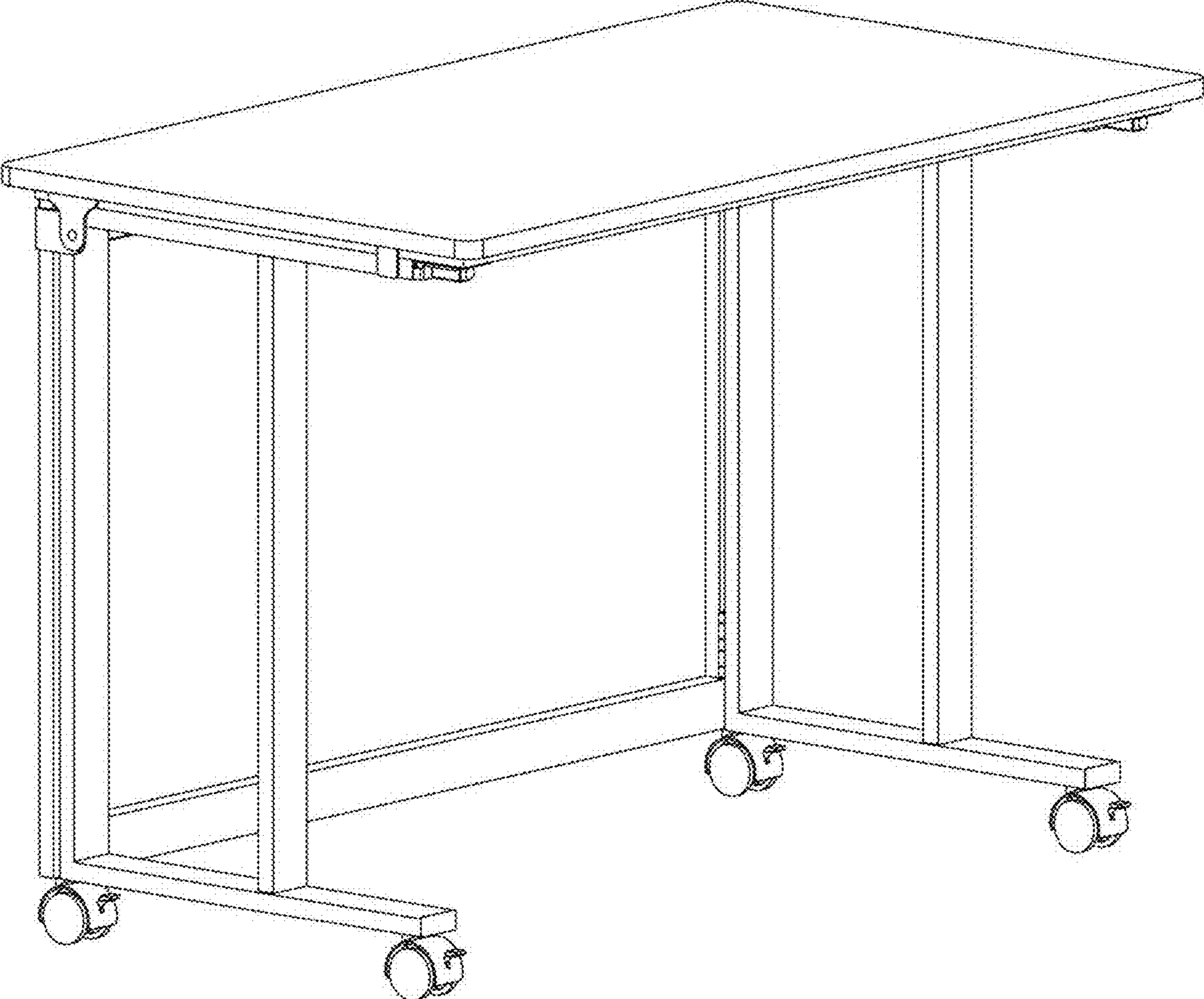


FIG.1

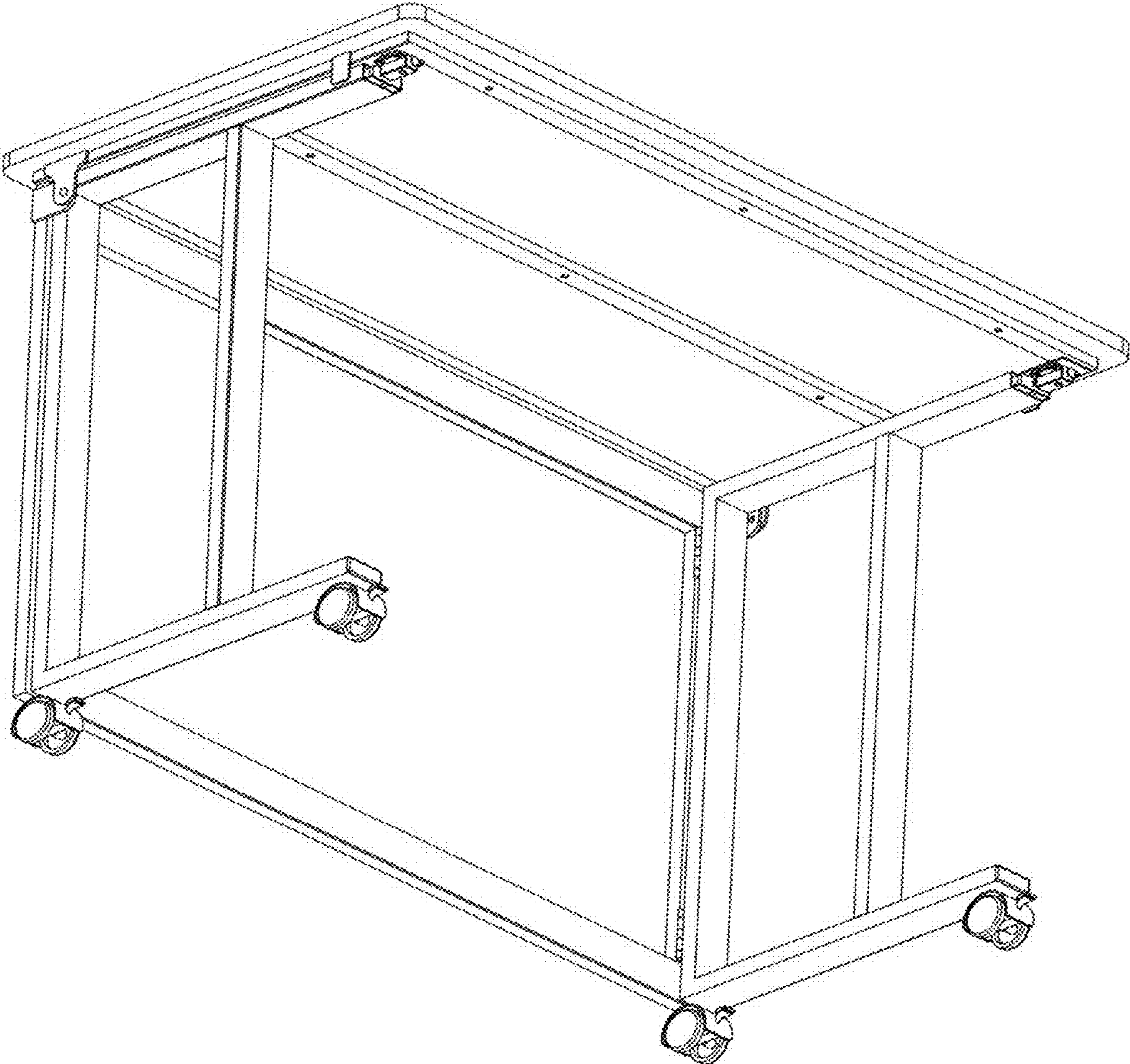


FIG.2

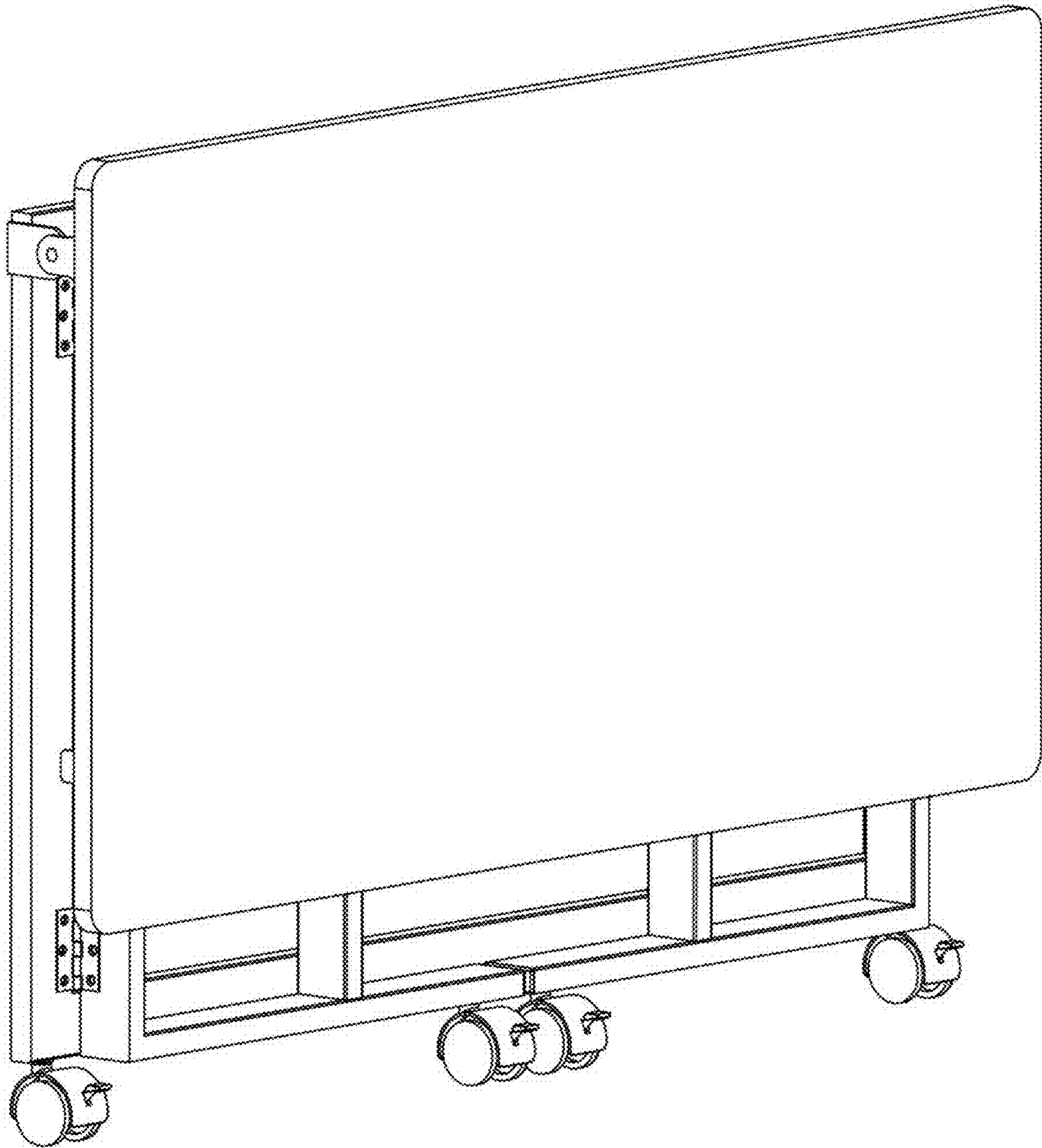


FIG.3



FIG.4

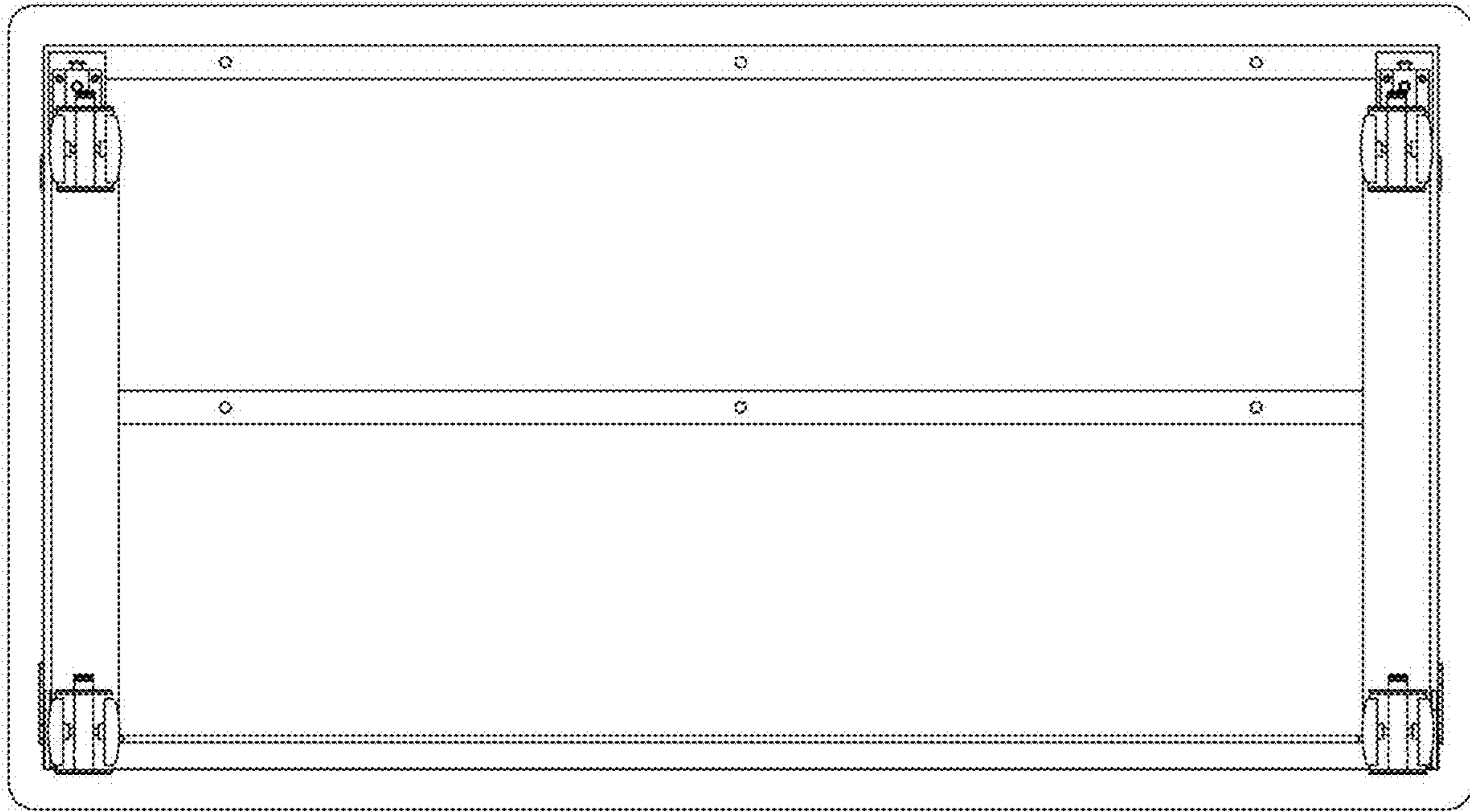


FIG.5

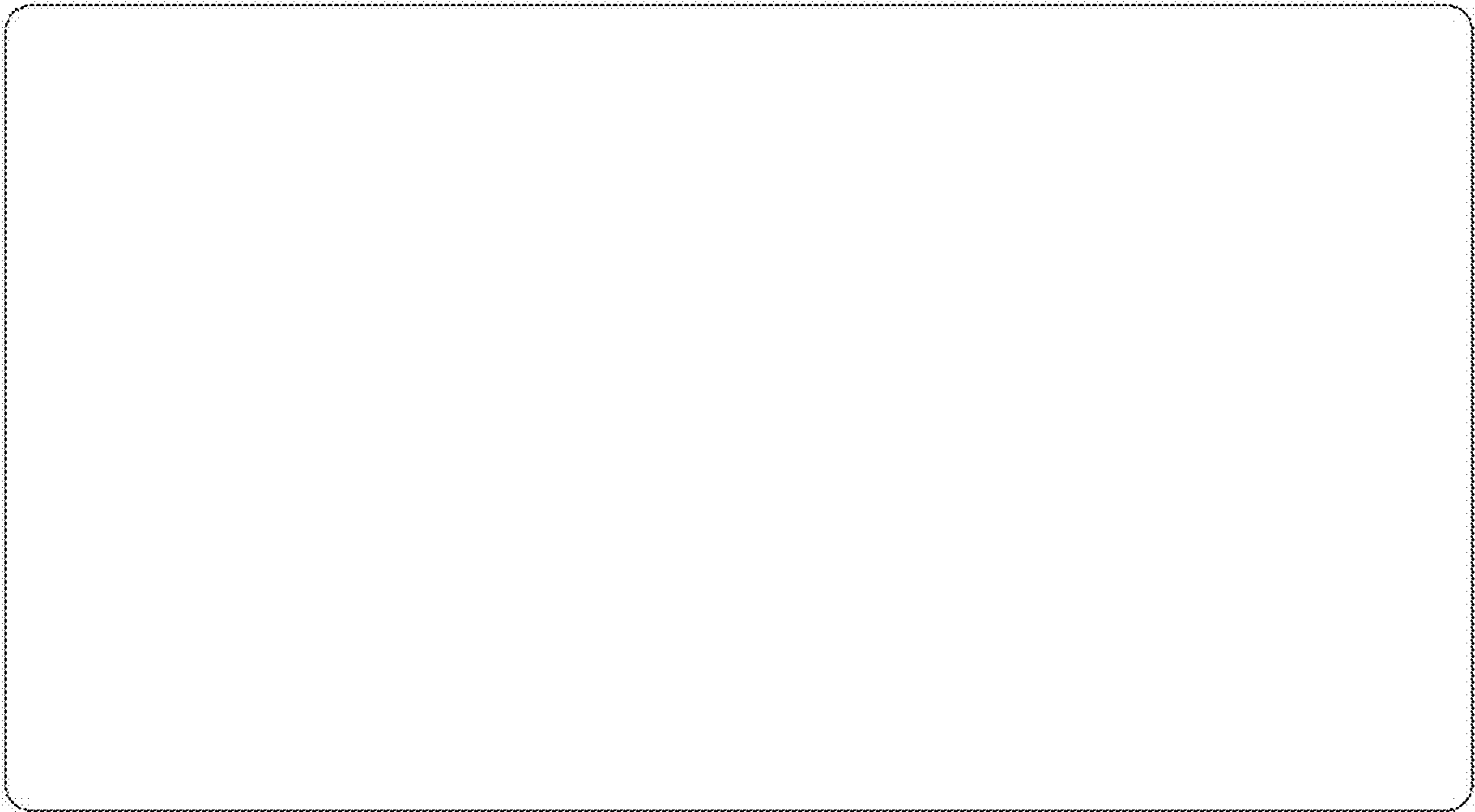


FIG.6



FIG. 7

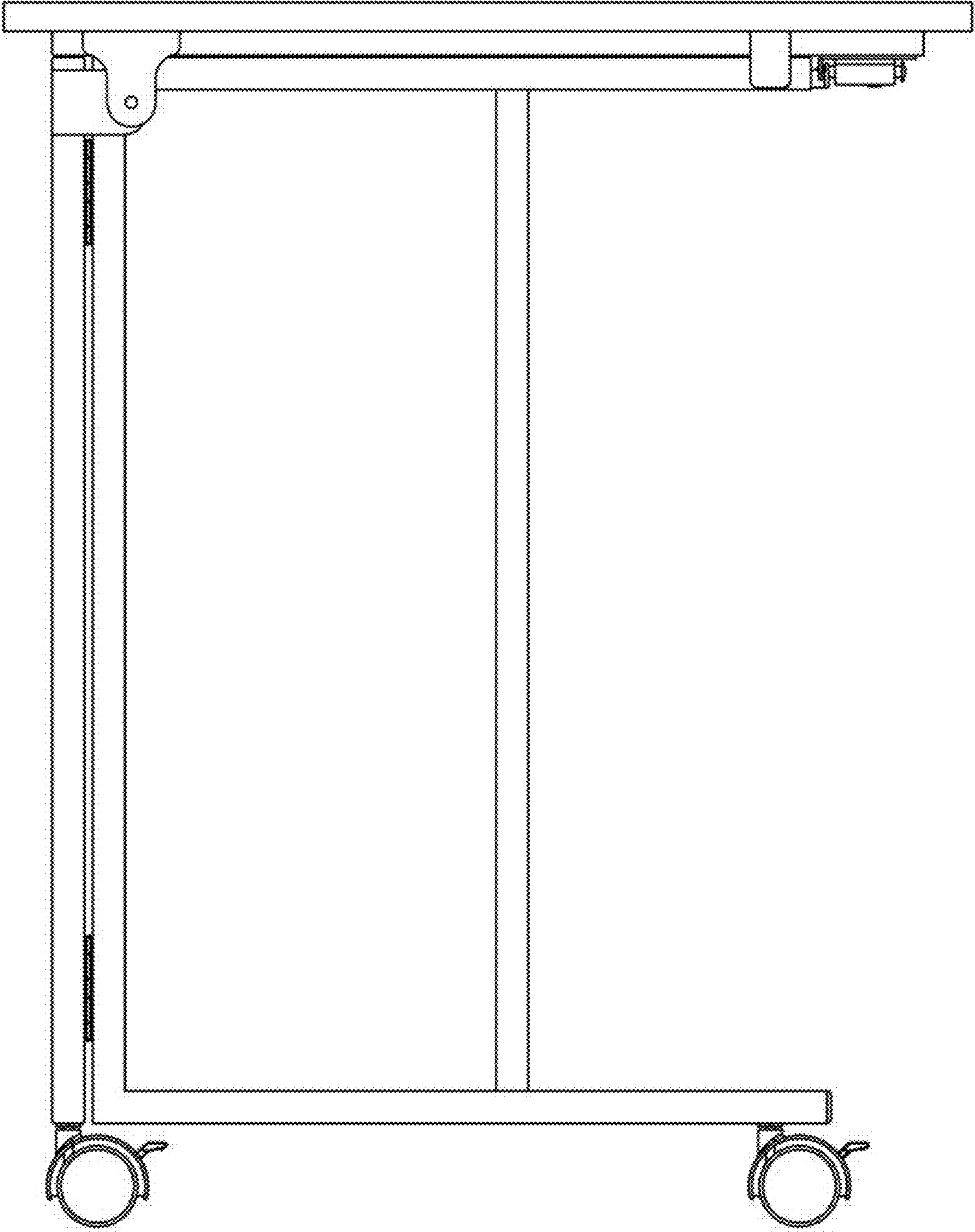


FIG.8

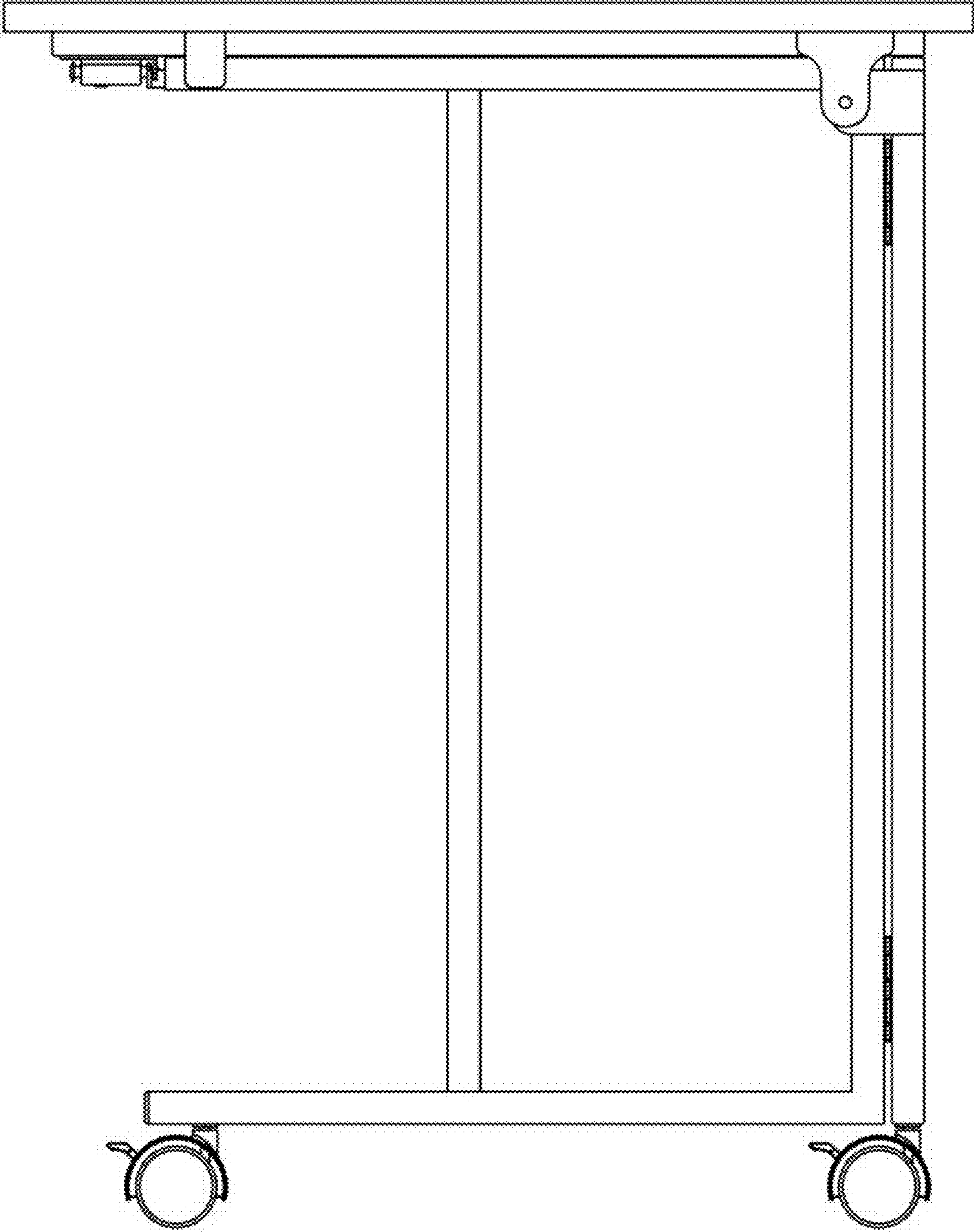


FIG.9