



US00D849451S

(12) **United States Design Patent** (10) **Patent No.:** **US D849,451 S**
Liu (45) **Date of Patent:** **** May 28, 2019**

(54) INFLATABLE BED	4,541,135 A	9/1985	Karpov	
	5,598,593 A	2/1997	Wolfe	
(71) Applicant: BESTWAY INFLATABLES & MATERIAL CORP. , Shanghai (CN)	D391,435 S *	3/1998	Song	D6/601
	D407,937 S *	4/1999	Klimenko	D6/596
	6,185,770 B1 *	2/2001	Wang	A47C 27/081
(72) Inventor: Feng Liu , Shanghai (CN)				5/686
	D455,928 S *	4/2002	Fisher	D6/604
	D463,703 S *	10/2002	Song	D6/604
(73) Assignee: BESTWAY INFLATABLES & MATERIAL CORP. , Shanghai (CN)	D464,225 S	10/2002	Boso et al.	
	6,543,073 B2 *	4/2003	Wu	A47C 7/021
				5/655.3
(**) Term: 15 Years	6,701,559 B2	3/2004	Boso et al.	
	D490,635 S *	6/2004	Boso	D6/604
(21) Appl. No.: 29/560,404	6,763,540 B1	7/2004	Wang	
	D507,446 S *	7/2005	Yeh	D6/604
(22) Filed: Apr. 6, 2016	7,191,481 B2 *	3/2007	Hsu	A47C 27/081
				5/712

(30) **Foreign Application Priority Data**

Jan. 13, 2016 (CN) 2016 3 0011130

(51) **LOC (11) Cl.** **06-09**

(52) **U.S. Cl.**
USPC **D6/604**

(58) **Field of Classification Search**

USPC D6/582-583, 587-592, 595-609, D6/617-622; D21/803-809; D24/183

CPC A47G 9/00; A47G 2009/001; A47G 2009/002; A47G 2009/003; A47G 2009/005; A47G 2009/006; A47G 9/02; A47G 9/0207; A47G 9/0215; A47G 9/0223; A47G 9/023; A47G 9/0238; A47G 9/0246; A47G 9/0253; A47G 9/0261; A47G 9/06; A47G 9/062; A47G 9/066; A47G 9/068; A47G 9/08; A47G 2009/0276; A47G 9/0284; A47G 9/0292; A47G 9/04; A47G 9/10; A47C 27/081

See application file for complete search history.

(56) **References Cited**

U.S. PATENT DOCUMENTS

4,172,301 A * 10/1979 Everard A47C 27/081
156/290

4,371,999 A 2/1983 Reid

(Continued)

Primary Examiner — Mary Ann Calabrese

Assistant Examiner — Jennifer L Rempfer

(74) *Attorney, Agent, or Firm* — AJ Moss; Dickinson Wright PLLC

(57) **CLAIM**

The ornamental design for an inflatable bed, as shown and described.

DESCRIPTION

FIG. 1 is a front perspective view of an inflatable bed showing my new design;

FIG. 2 is a top plan view thereof;

FIG. 3 is a bottom plan view thereof;

FIG. 4 is a right side elevational view thereof;

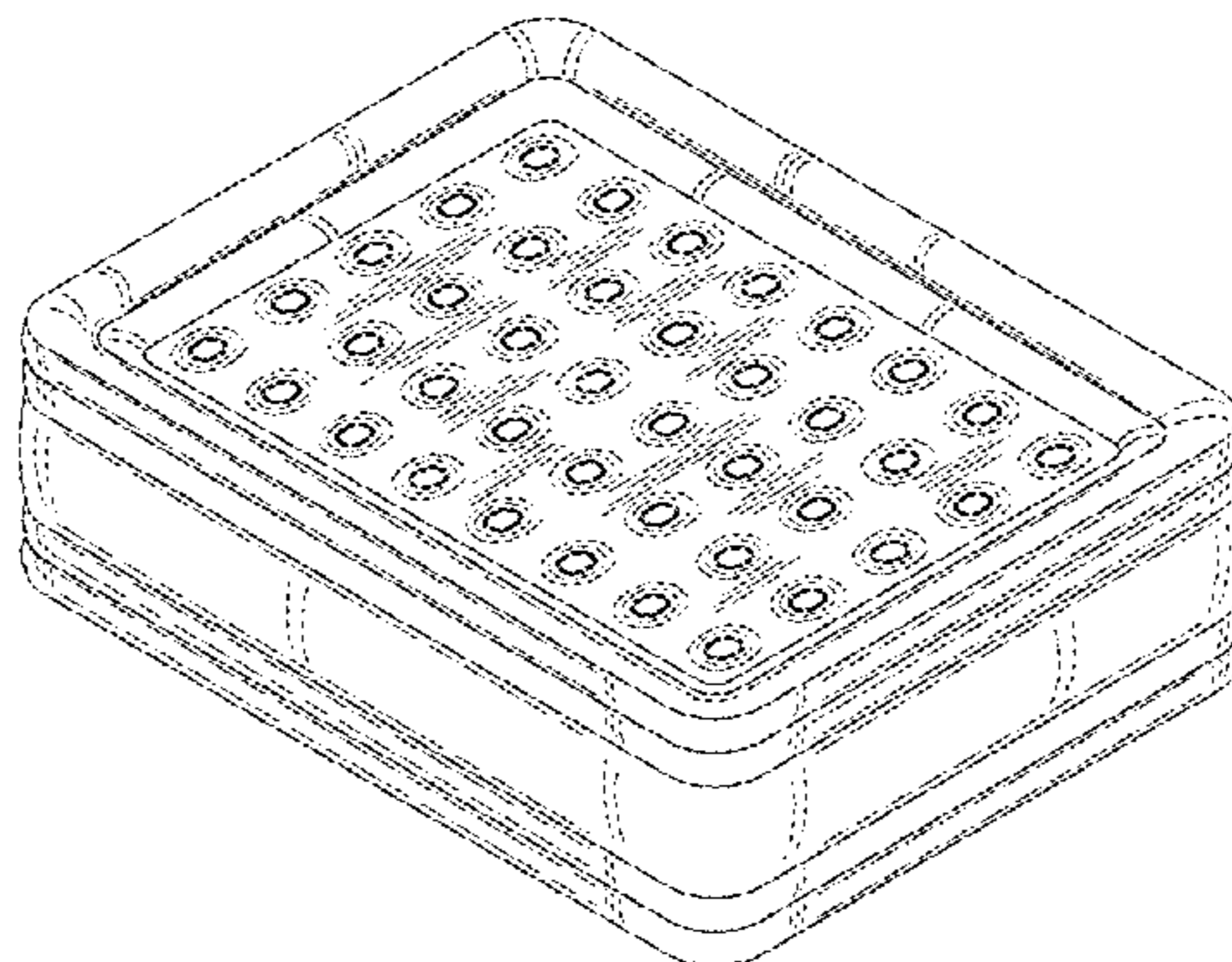
FIG. 5 is a left side elevational view thereof;

FIG. 6 is a front elevational view thereof; and,

FIG. 7 is a rear elevational view thereof.

The broken lines shown in the drawings represent portions of the inflatable bed that form no part of the claimed design.

1 Claim, 7 Drawing Sheets



(56)

References Cited

U.S. PATENT DOCUMENTS

7,269,866	B2	9/2007	Liu	
D557,966	S *	12/2007	Gao	D6/604
7,337,485	B2	3/2008	Metzger	
7,591,036	B2	9/2009	Lin et al.	
D612,655	S *	3/2010	Holmstedt	D6/604
D658,921	S *	5/2012	Prendergast	D6/604
D726,273	S *	4/2015	Wampold	D21/809
D737,599	S *	9/2015	Aldridge	D6/604
2003/0101516	A1	6/2003	Hsu et al.	
2006/0174416	A1 *	8/2006	Wu	A47C 27/081 5/710
2009/0320211	A1	12/2009	Lau	
2012/0000017	A1 *	1/2012	Xia	A47C 27/081 5/706

* cited by examiner

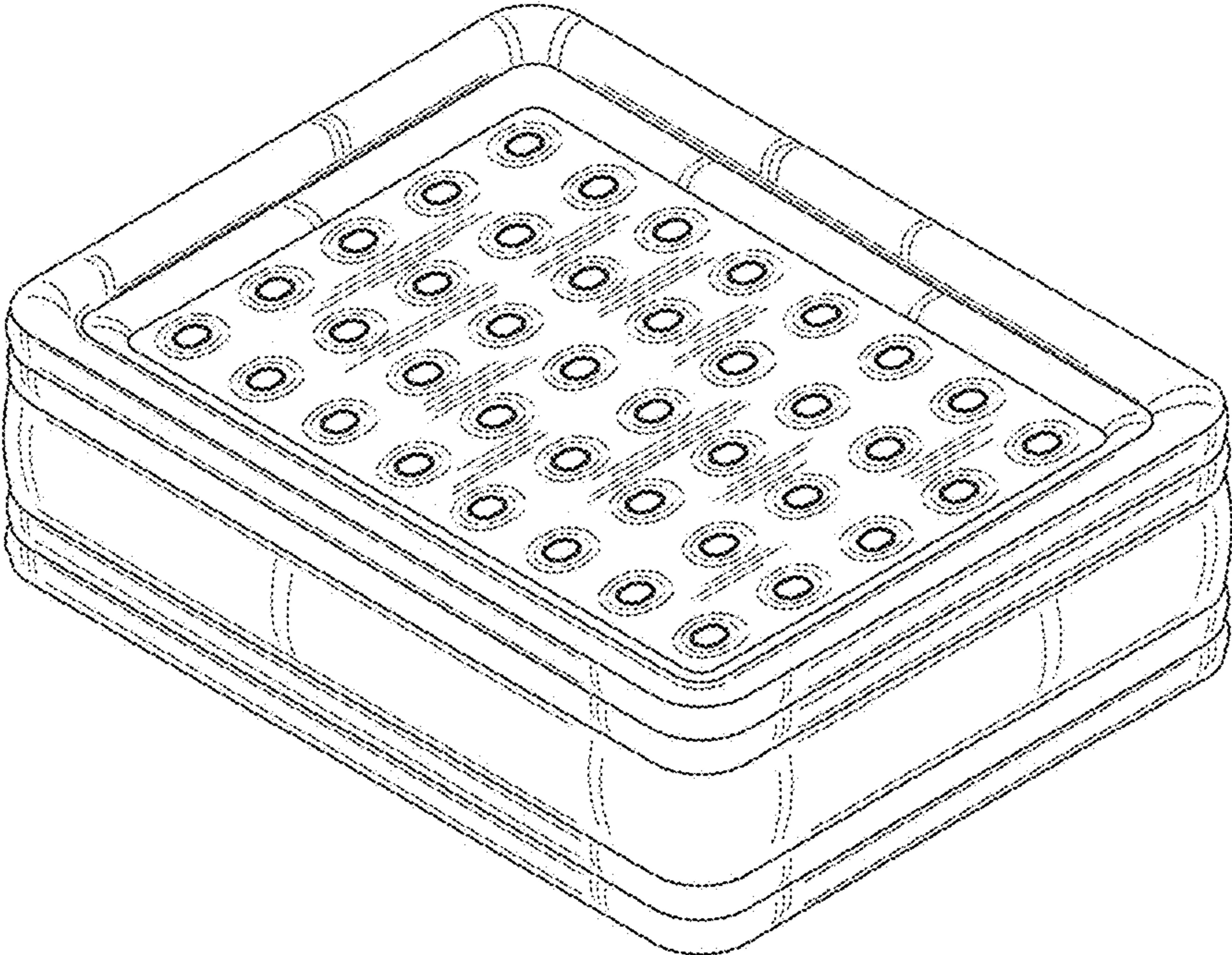


Fig. 1

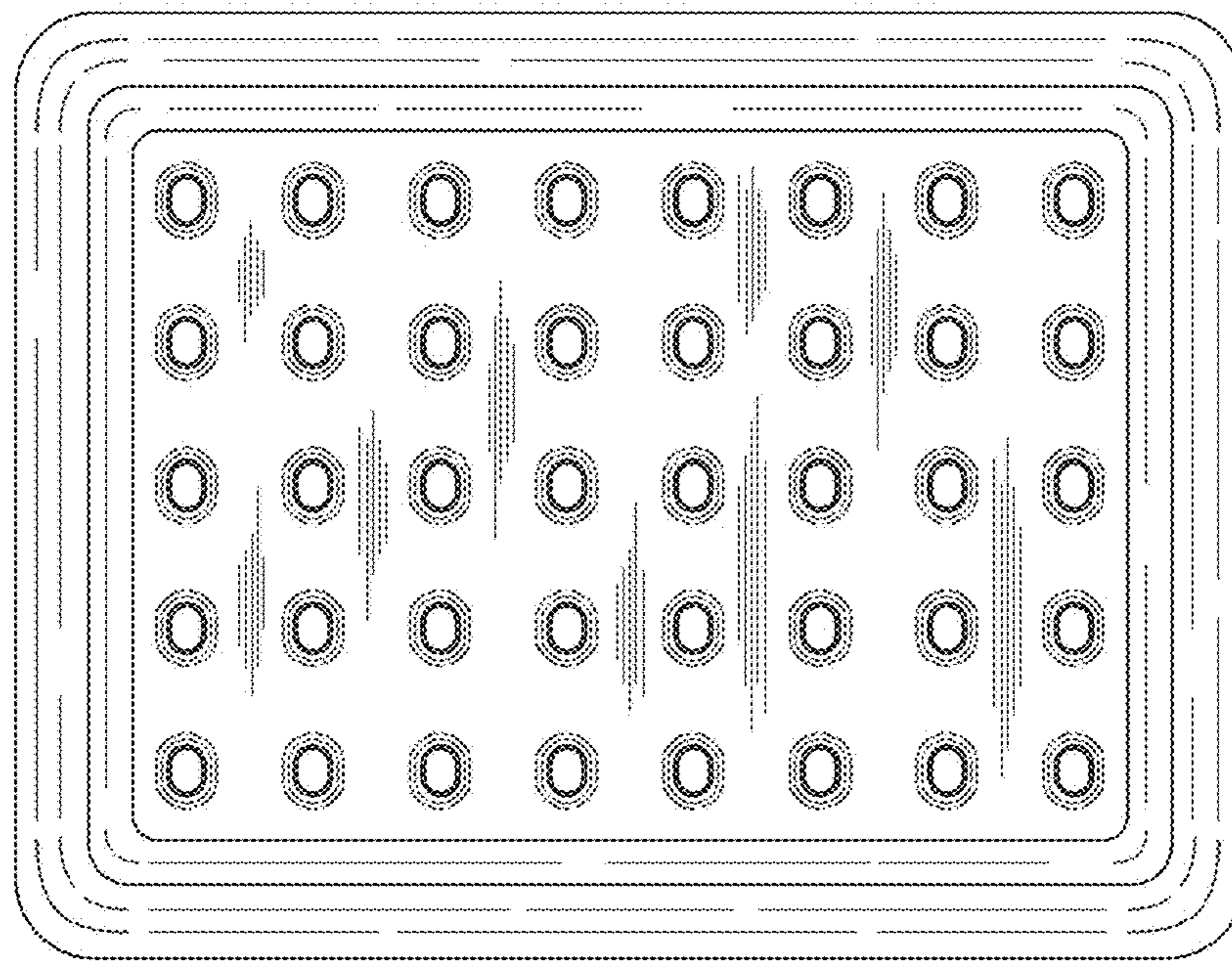


Fig. 2

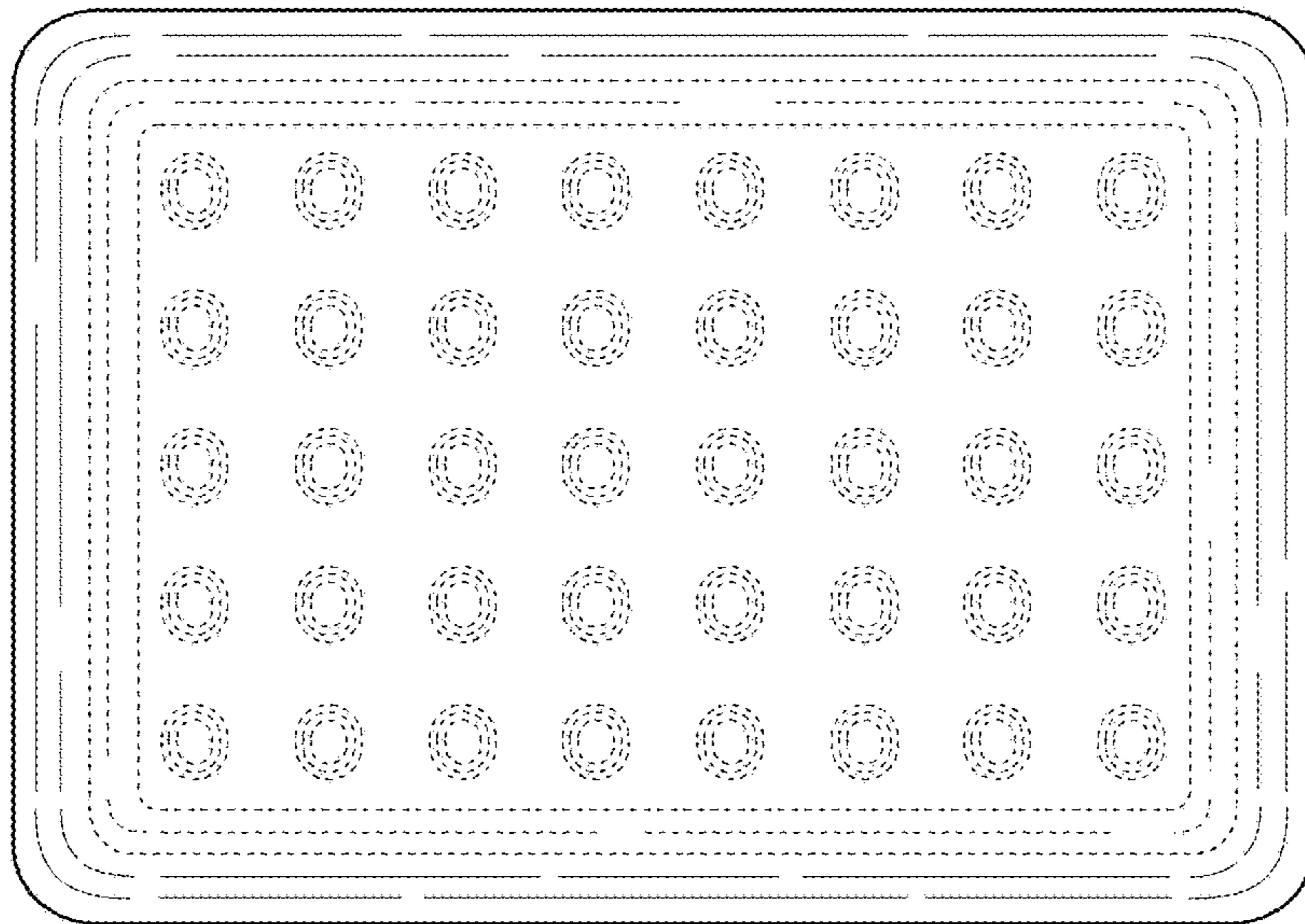


Fig. 3

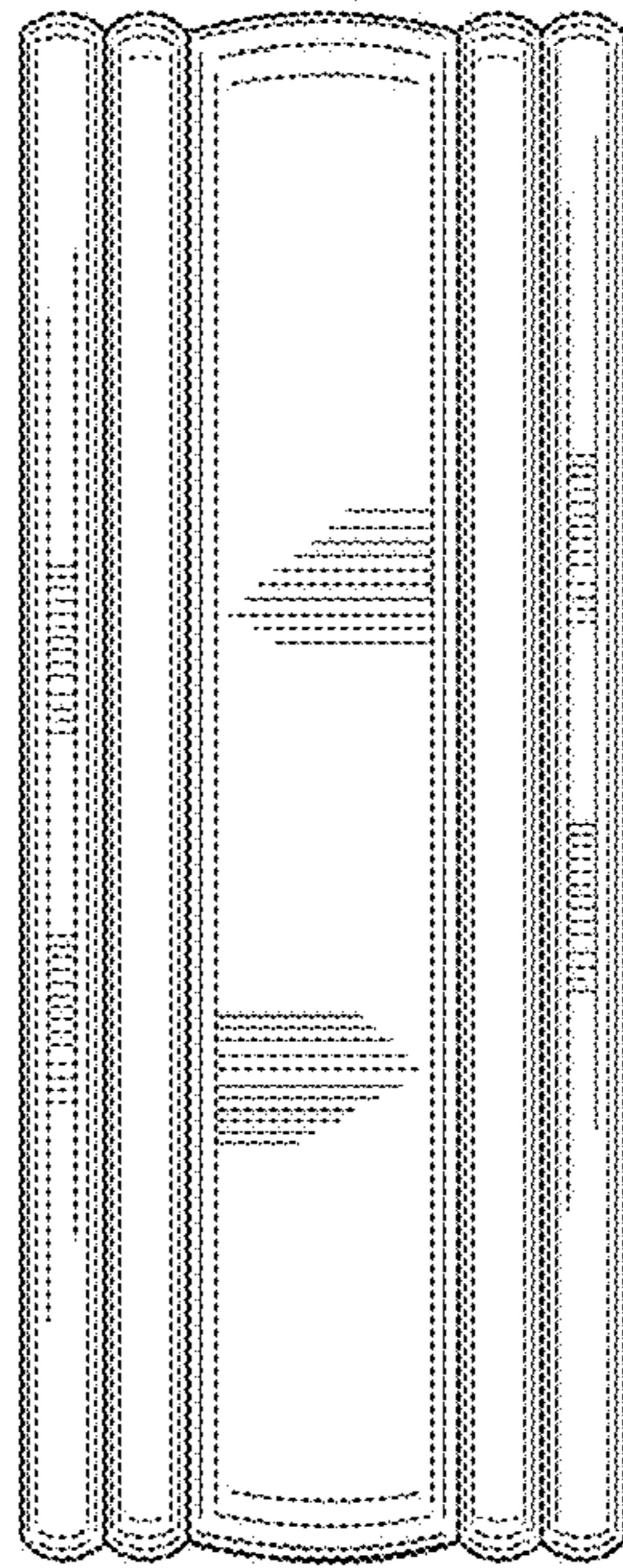


Fig. 4

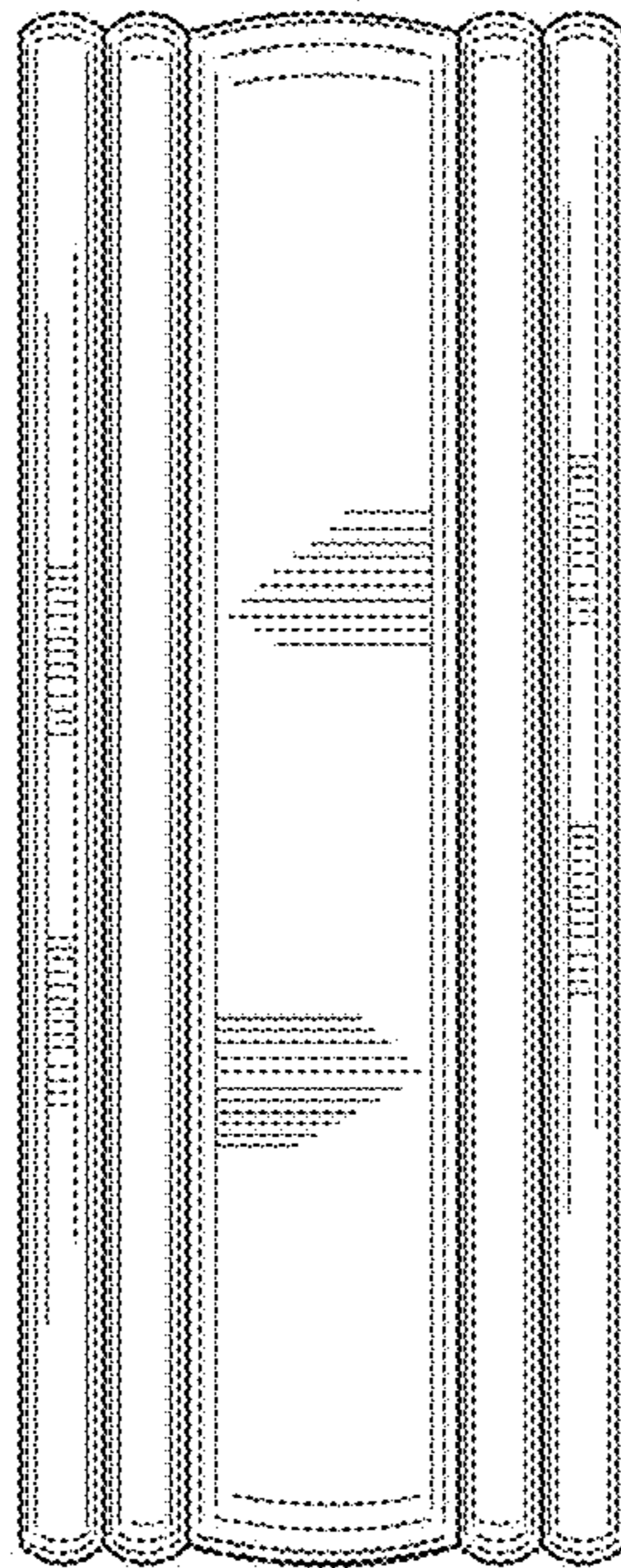


Fig. 5

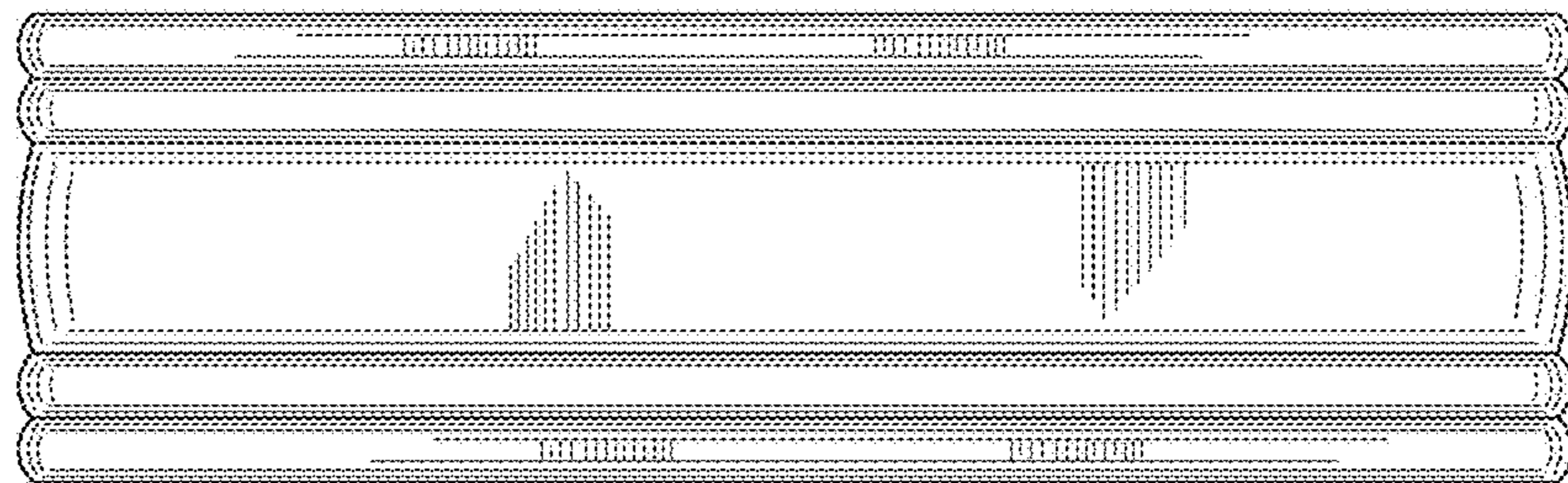


Fig. 6

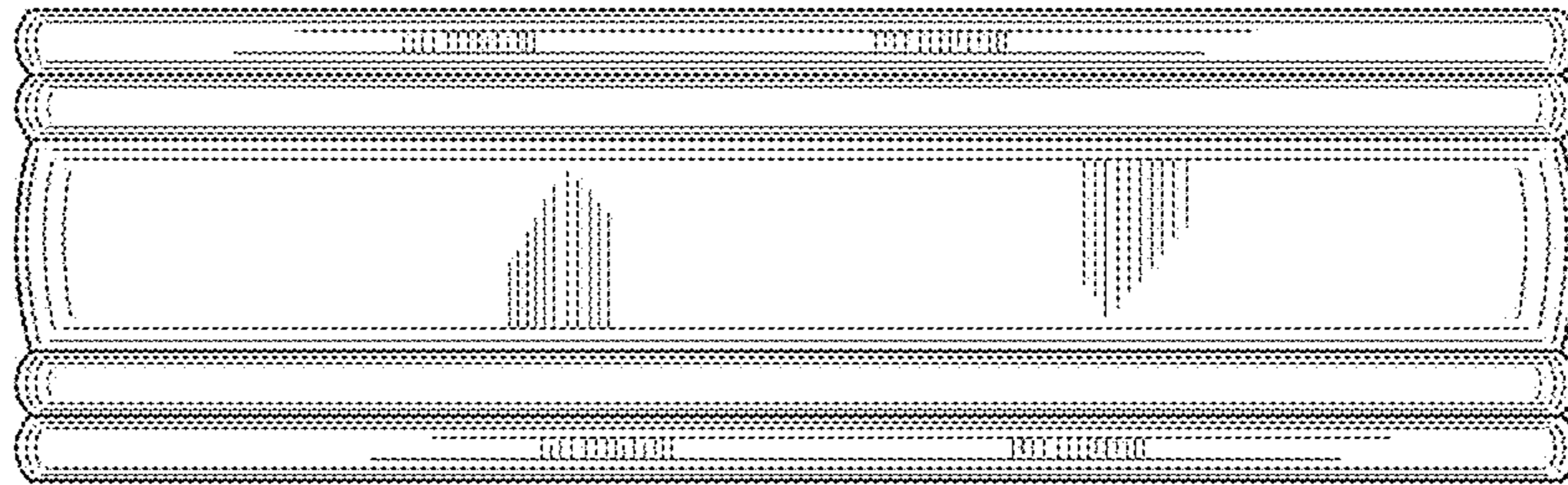


Fig. 7