



US00D849450S

(12) **United States Design Patent** (10) **Patent No.:** **US D849,450 S**  
**Liu** (45) **Date of Patent:** **\*\* May 28, 2019**

(54) **INFLATABLE BED** 2,998,817 A \* 9/1961 Armstrong ..... A61F 7/10  
165/46  
(71) Applicant: **BESTWAY INFLATABLES &** 4,371,999 A 2/1983 Reid  
**MATERIAL CORP., Shanghai (CN)** 4,541,135 A 9/1985 Karpov  
(72) Inventor: **Feng Liu, Shanghai (CN)** D300,194 S \* 3/1989 Walker ..... D6/604  
5,598,593 A 2/1997 Wolfe  
D464,225 S 10/2002 Boso et al.

(73) Assignee: **BESTWAY INFLATABLES &**  
**MATERIAL CORP., Shanghai (CN)**

(\*\*) Term: **15 Years**

(21) Appl. No.: **29/560,400**

(22) Filed: **Apr. 6, 2016**

(30) **Foreign Application Priority Data**

Jan. 13, 2016 (CN) ..... 2016 3 0011130

(51) **LOC (11) Cl.** ..... **06-09**

(52) **U.S. Cl.**  
USPC ..... **D6/604**

(58) **Field of Classification Search**

USPC ..... D6/582-583, 587-592, 595-609,  
D6/617-622; D21/803-809; D24/183  
CPC ..... A47G 9/00; A47G 2009/001; A47G  
2009/002; A47G 2009/003; A47G  
2009/005; A47G 2009/006; A47G 9/02;  
A47G 9/0207; A47G 9/0215; A47G  
9/0223; A47G 9/023; A47G 9/0238;  
A47G 9/0246; A47G 9/0253; A47G  
9/0261; A47G 9/06; A47G 9/062; A47G  
9/066; A47G 9/068; A47G 9/08; A47G  
2009/0276; A47G 9/0284; A47G 9/0292;  
A47G 9/04; A47G 9/10; A47C 27/081

See application file for complete search history.

(56) **References Cited**

**U.S. PATENT DOCUMENTS**

1,730,752 A \* 10/1929 Withers ..... A47C 27/128  
5/706  
2,661,486 A \* 12/1953 Roher ..... A47C 27/0456  
5/248

(Continued)  
*Primary Examiner* — Mary Ann Calabrese  
*Assistant Examiner* — Jennifer L Rempfer  
(74) *Attorney, Agent, or Firm* — AJ Moss; Dickinson  
Wright PLLC

(57) **CLAIM**

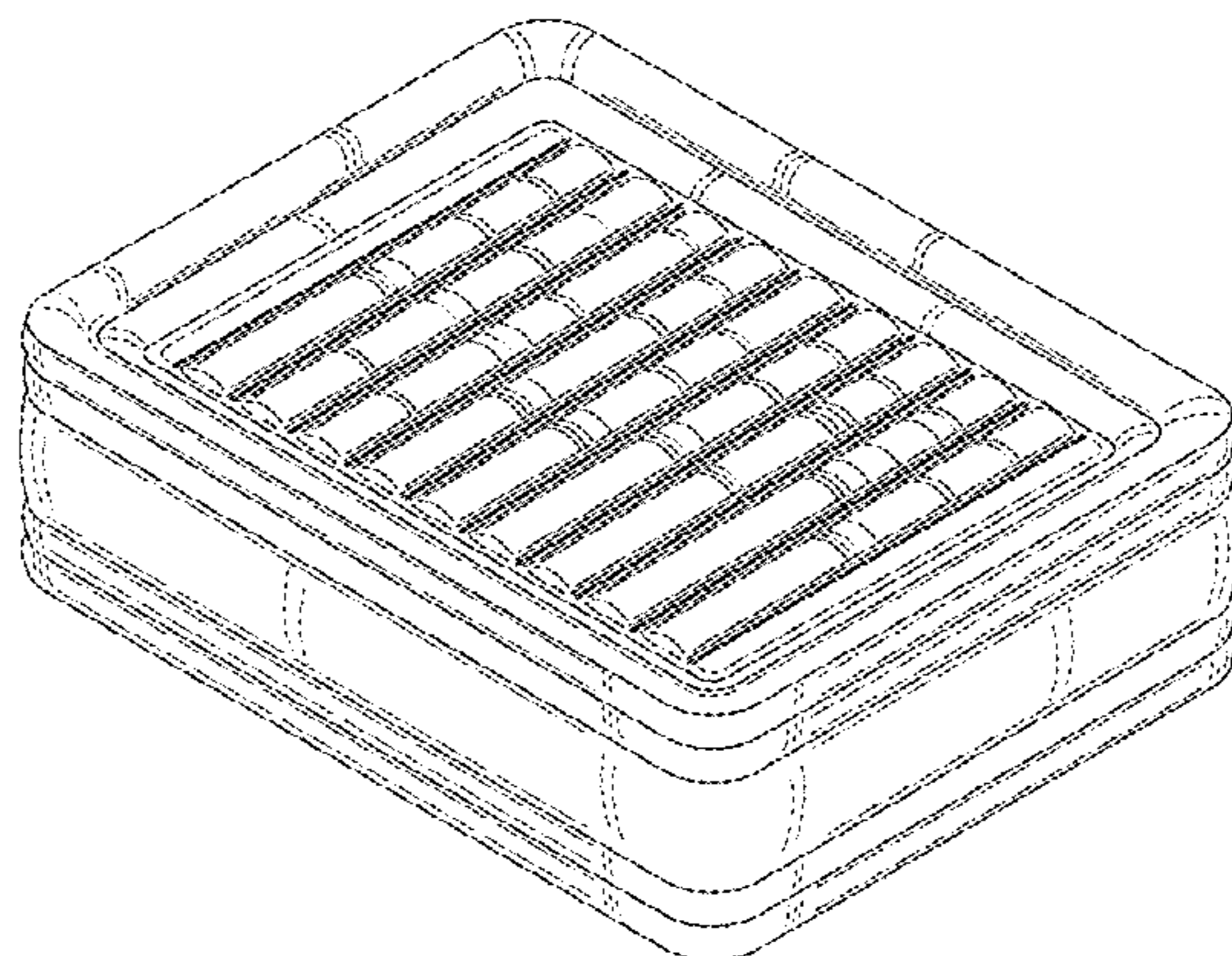
The ornamental design for an inflatable bed, as shown and described.

**DESCRIPTION**

FIG. 1 is a front perspective view of an inflatable bed showing my new design;  
FIG. 2 is a top plan view thereof;  
FIG. 3 is a bottom plan view thereof;  
FIG. 4 is a right side elevational view thereof;  
FIG. 5 is a left side elevational view thereof;  
FIG. 6 is a front elevational view thereof;  
FIG. 7 is a rear elevational view thereof;  
FIG. 8 is a front perspective view of an inflatable bed of a second embodiment showing my new design;  
FIG. 9 is a top plan view thereof;  
FIG. 10 is a bottom plan view thereof;  
FIG. 11 is a right side elevational view thereof;  
FIG. 12 is a left side elevational view thereof;  
FIG. 13 is a front elevational view thereof; and,  
FIG. 14 is a rear elevational view thereof.

The broken lines shown in the drawings represent portions of the inflatable bed that form no part of the claimed design.

**1 Claim, 14 Drawing Sheets**



(56)

**References Cited**

U.S. PATENT DOCUMENTS

6,671,910	B2 *	1/2004	Hsu .....	A47C 27/081	
					5/710
6,701,559	B2	3/2004	Boso et al.		
6,754,925	B1 *	6/2004	Wang .....	A47C 27/081	
					5/706
6,754,926	B2 *	6/2004	Wang .....	A47C 27/081	
					5/655.3
6,763,540	B1	7/2004	Wang		
D509,696	S *	9/2005	Torres .....	D6/604	
D509,697	S *	9/2005	Torres .....	D6/604	
7,269,866	B2	9/2007	Liu		
7,328,472	B2 *	2/2008	Chaffee .....	A47C 7/021	
					5/655.3
7,337,485	B2	3/2008	Metzger		
7,353,555	B2 *	4/2008	Lau .....	A47C 27/081	
					5/706
7,591,036	B2	9/2009	Lin et al.		
D612,630	S *	3/2010	Coleman .....	D6/393	
8,549,686	B2 *	10/2013	Wang .....	A47C 20/047	
					5/615
D747,117	S *	1/2016	Lau .....	D6/393	
2003/0101516	A1	6/2003	Hsu et al.		
2008/0256717	A1 *	10/2008	Austen .....	A47C 19/022	
					5/709
2009/0320211	A1	12/2009	Lau		

\* cited by examiner

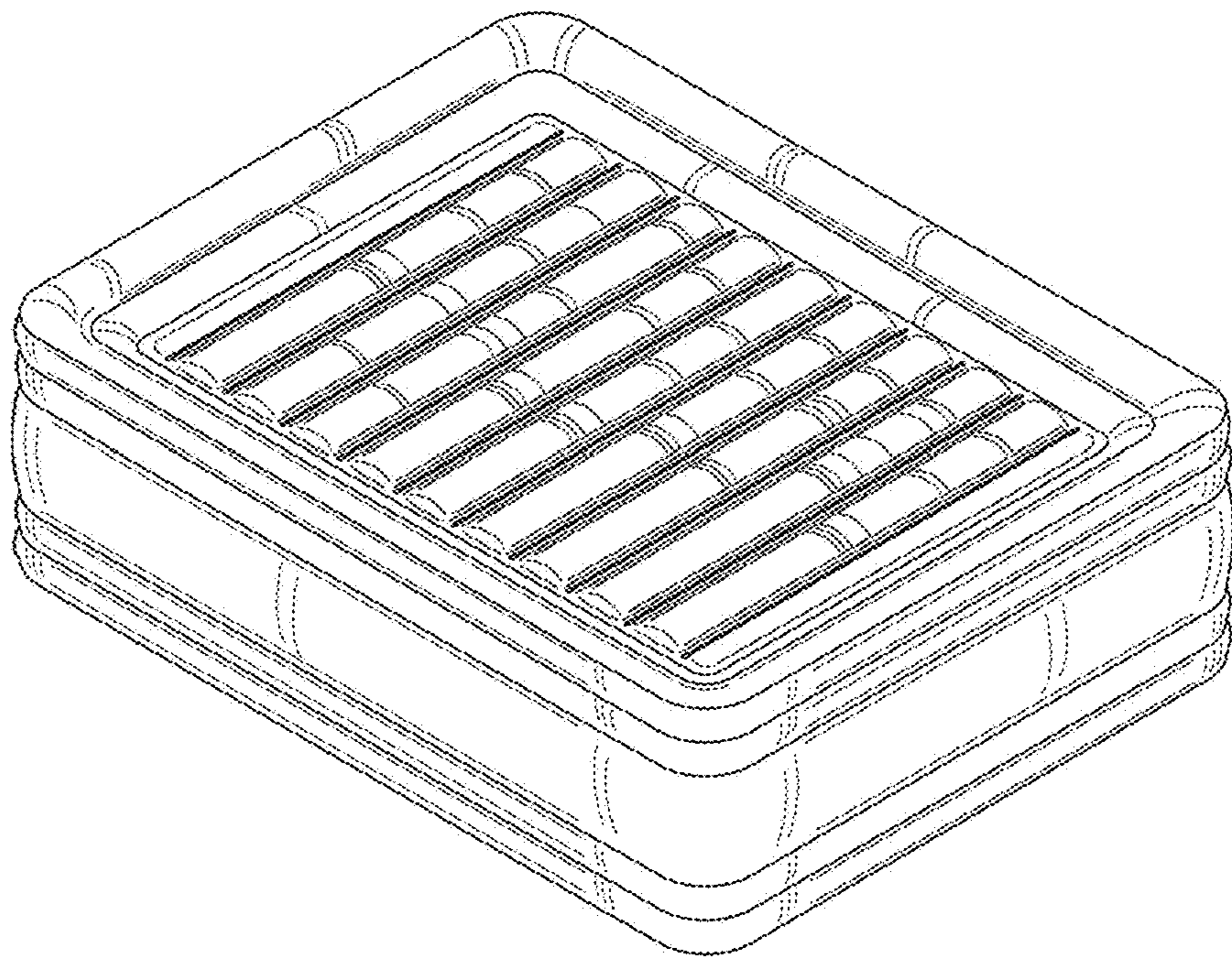


Fig. 1

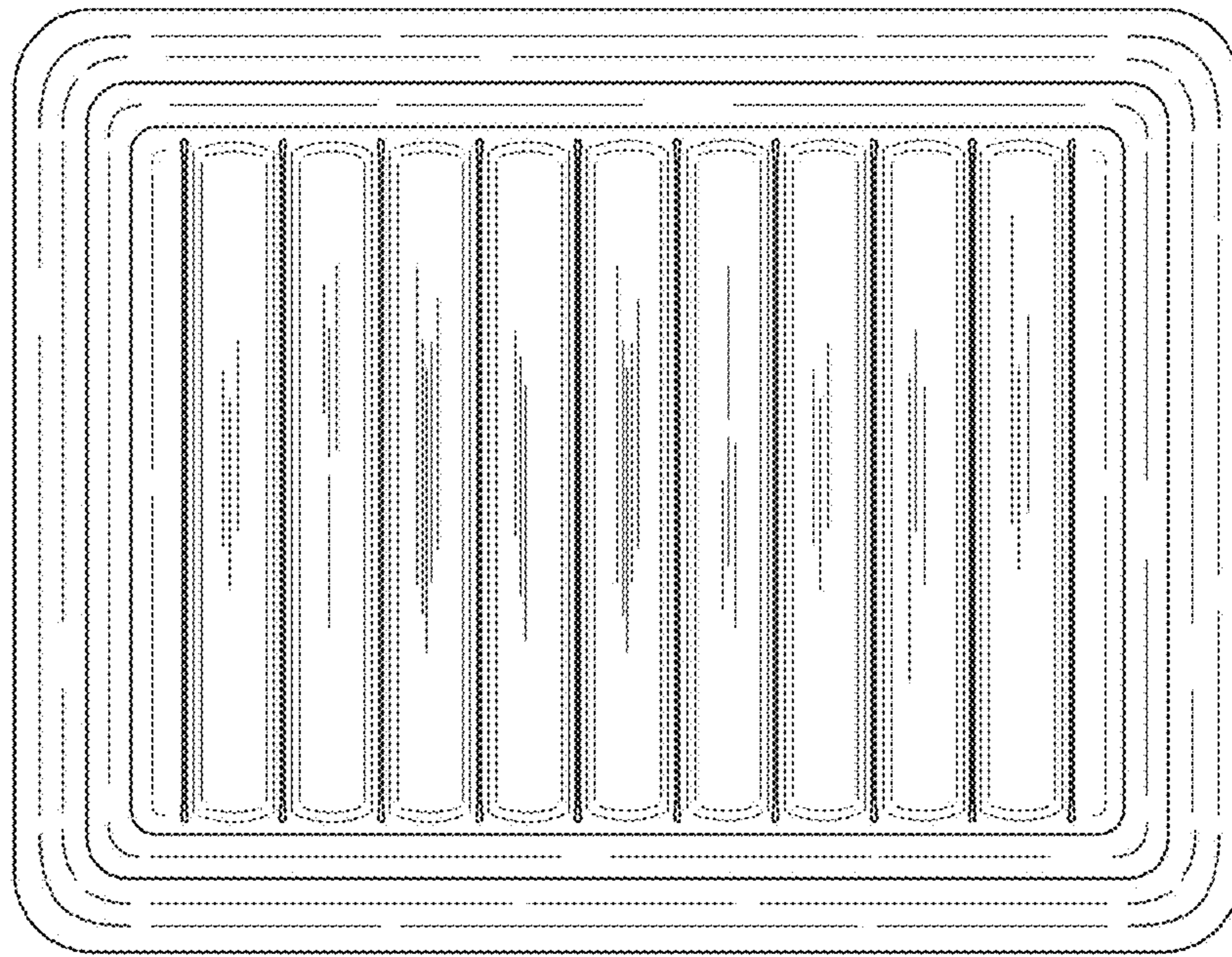


Fig. 2

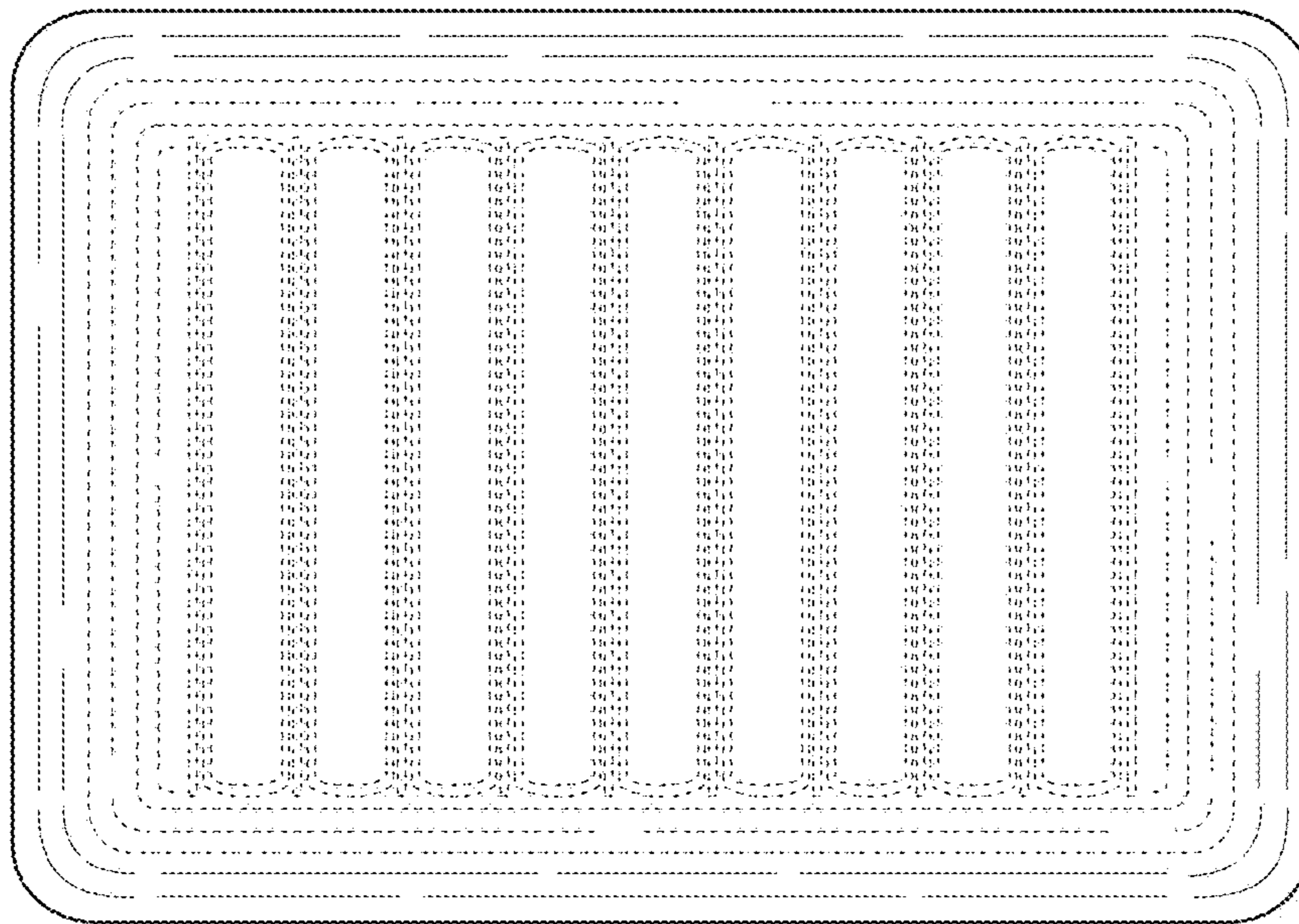


Fig. 3

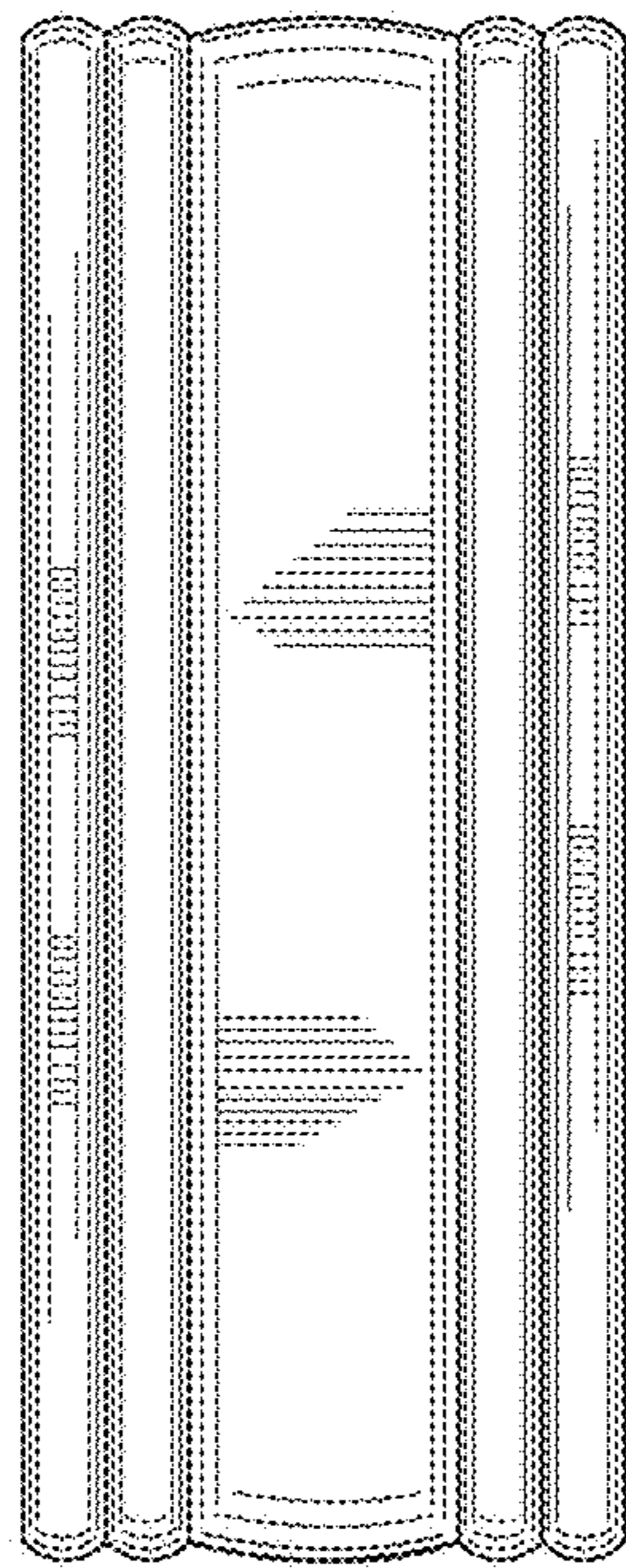


Fig. 4

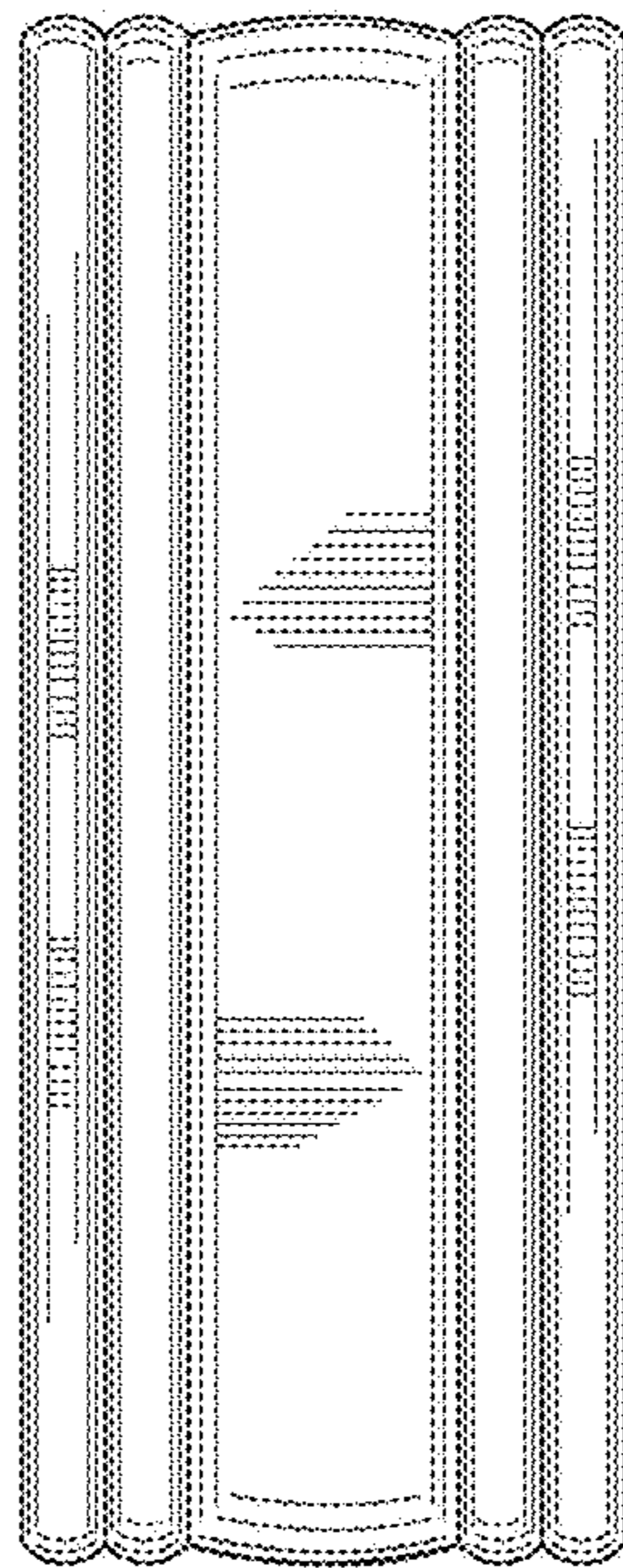


Fig. 5

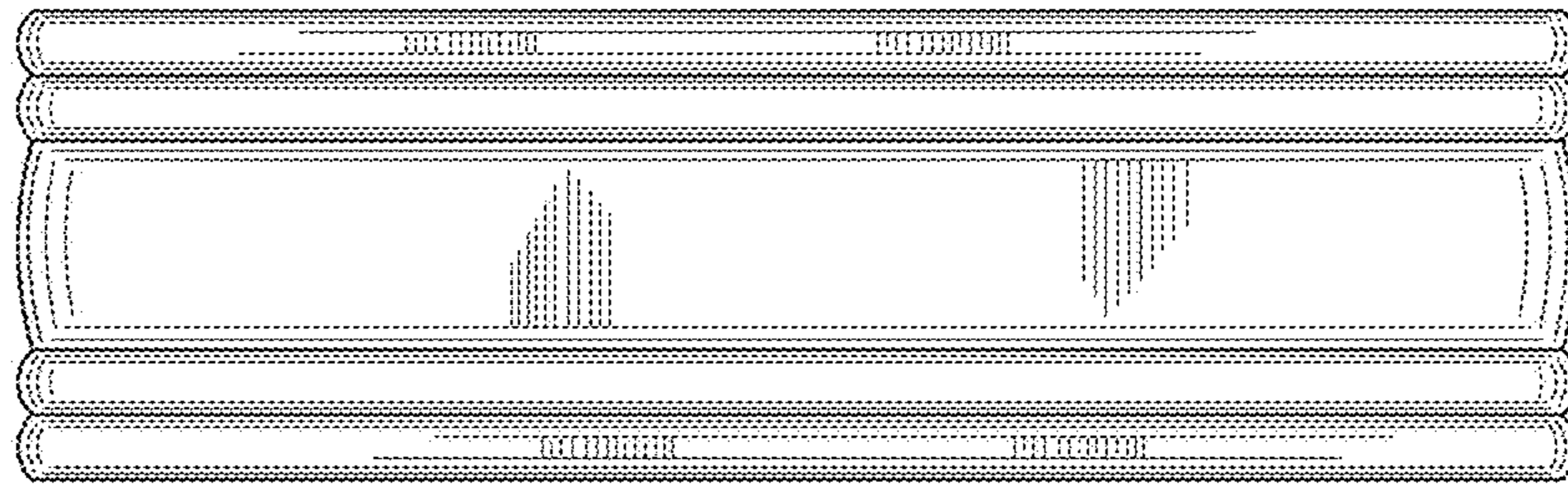


Fig. 6



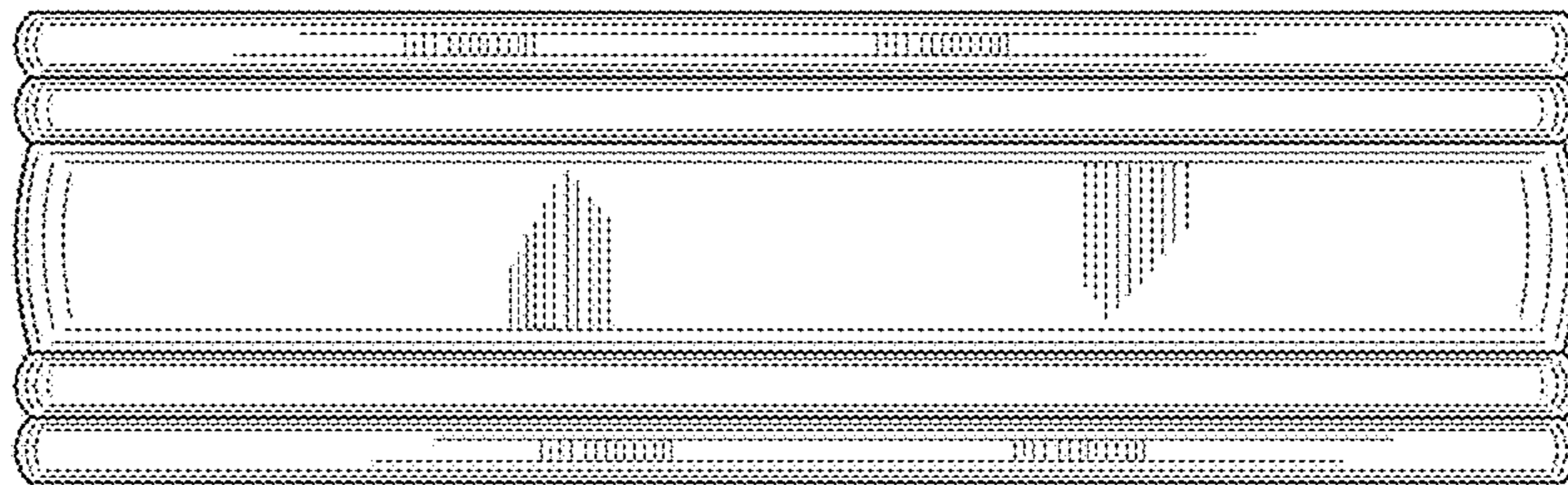


Fig. 7

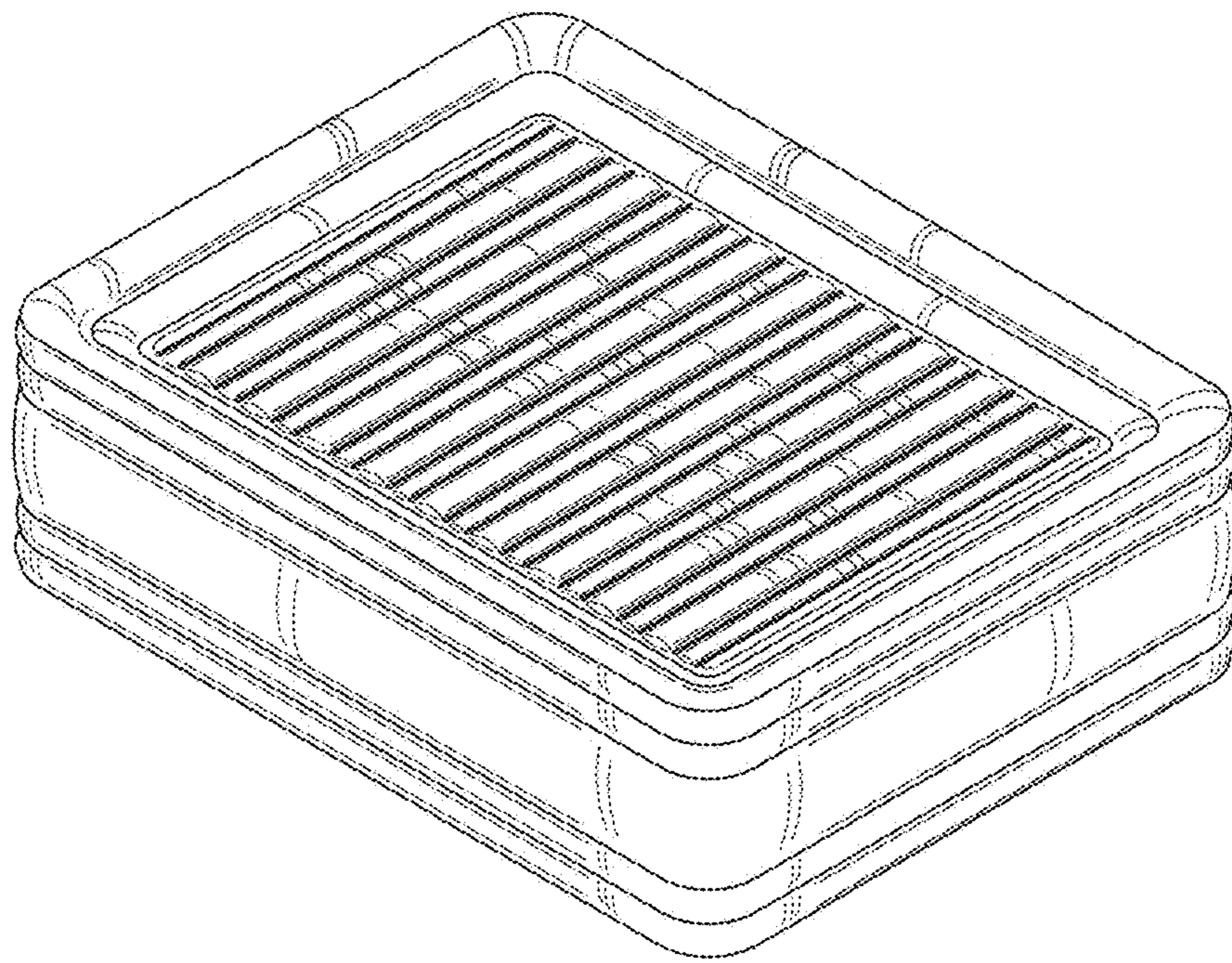


Fig. 8

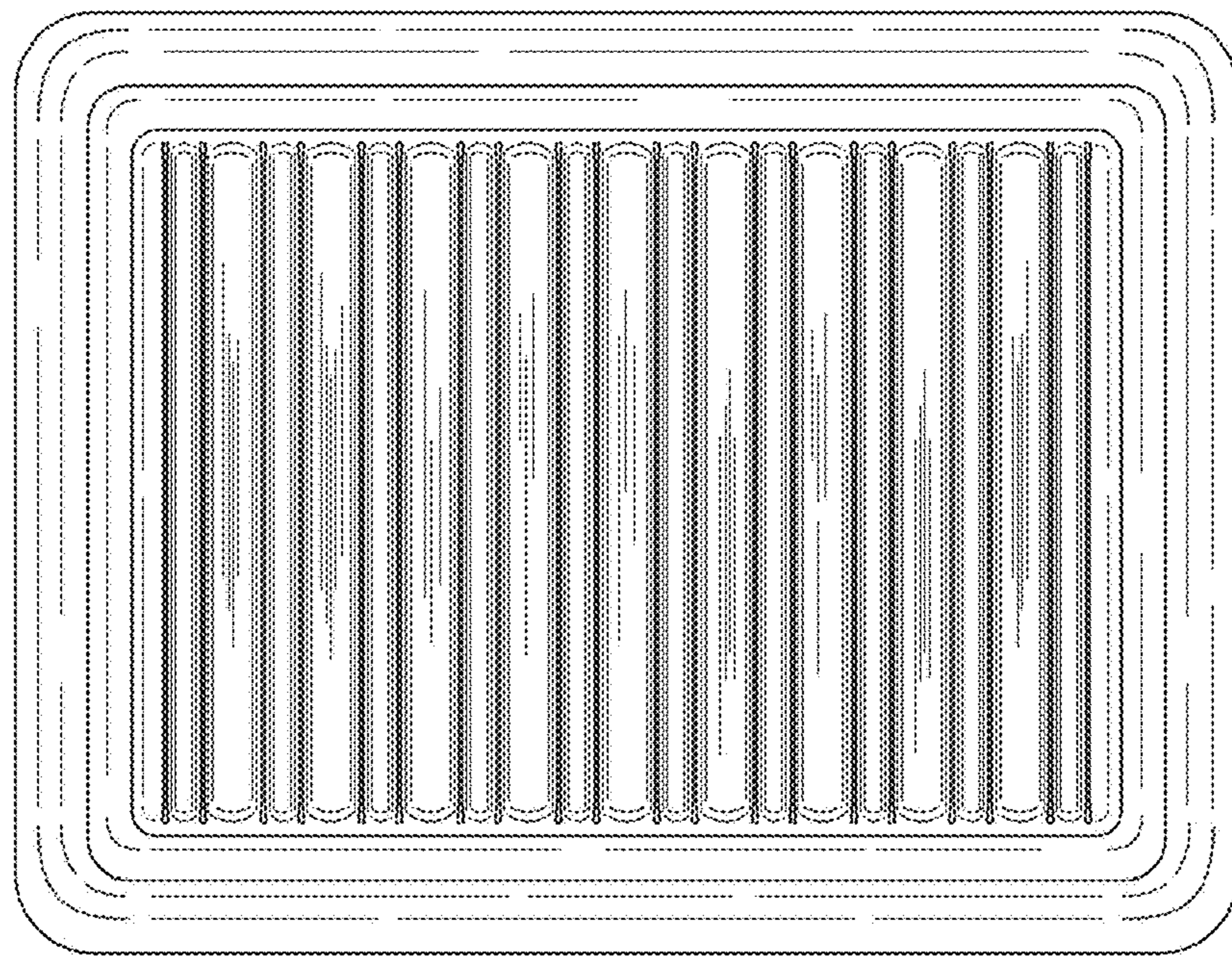


Fig. 9

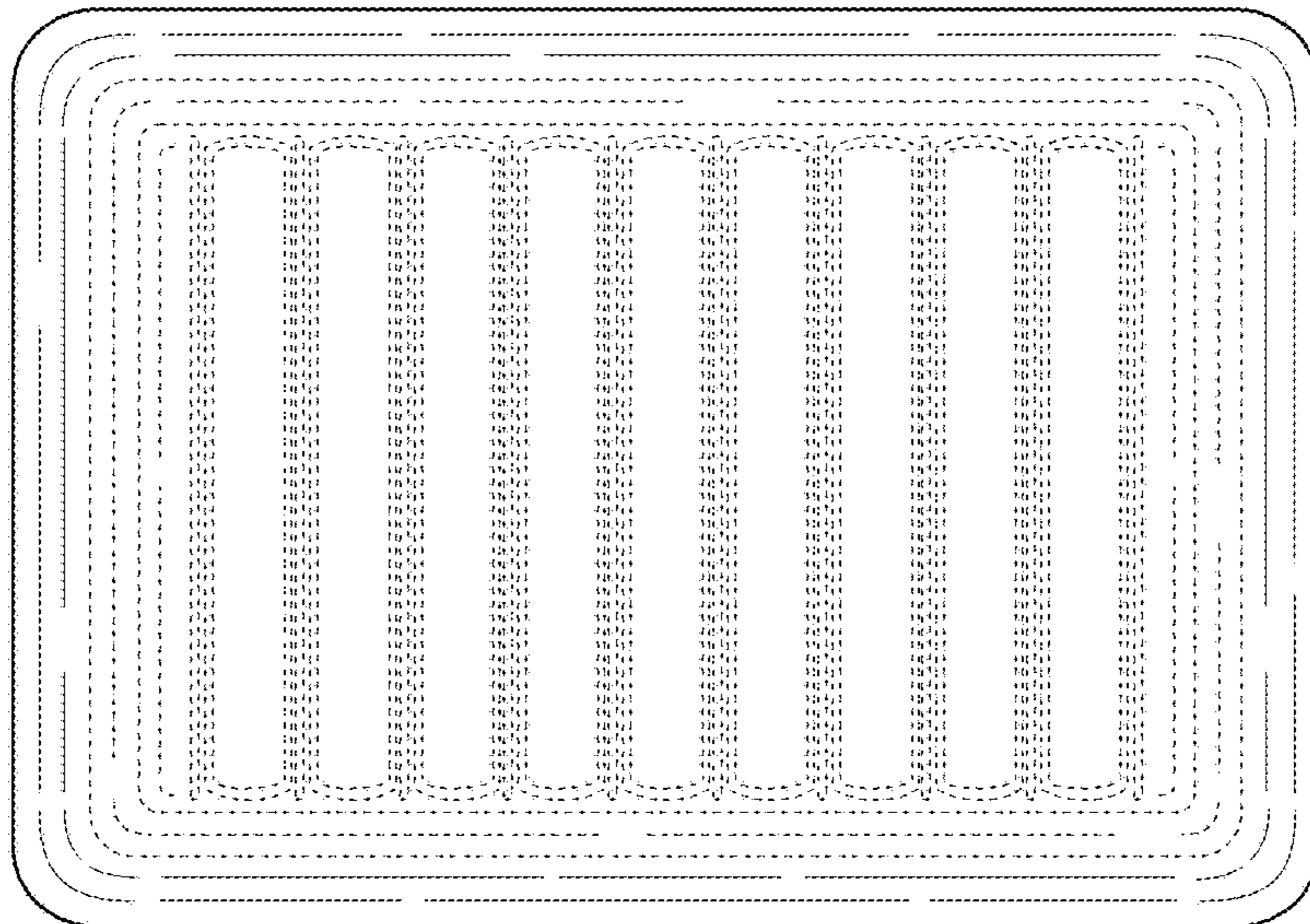


Fig. 10

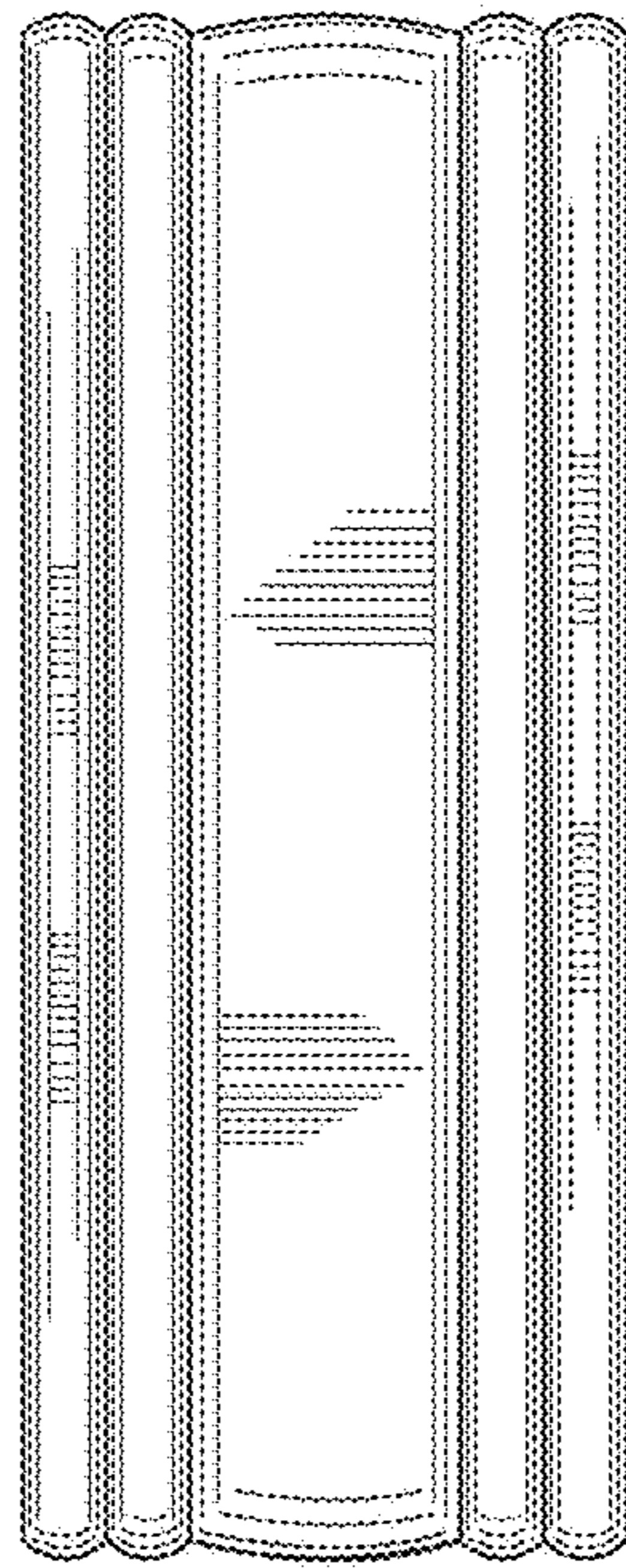


Fig. 11

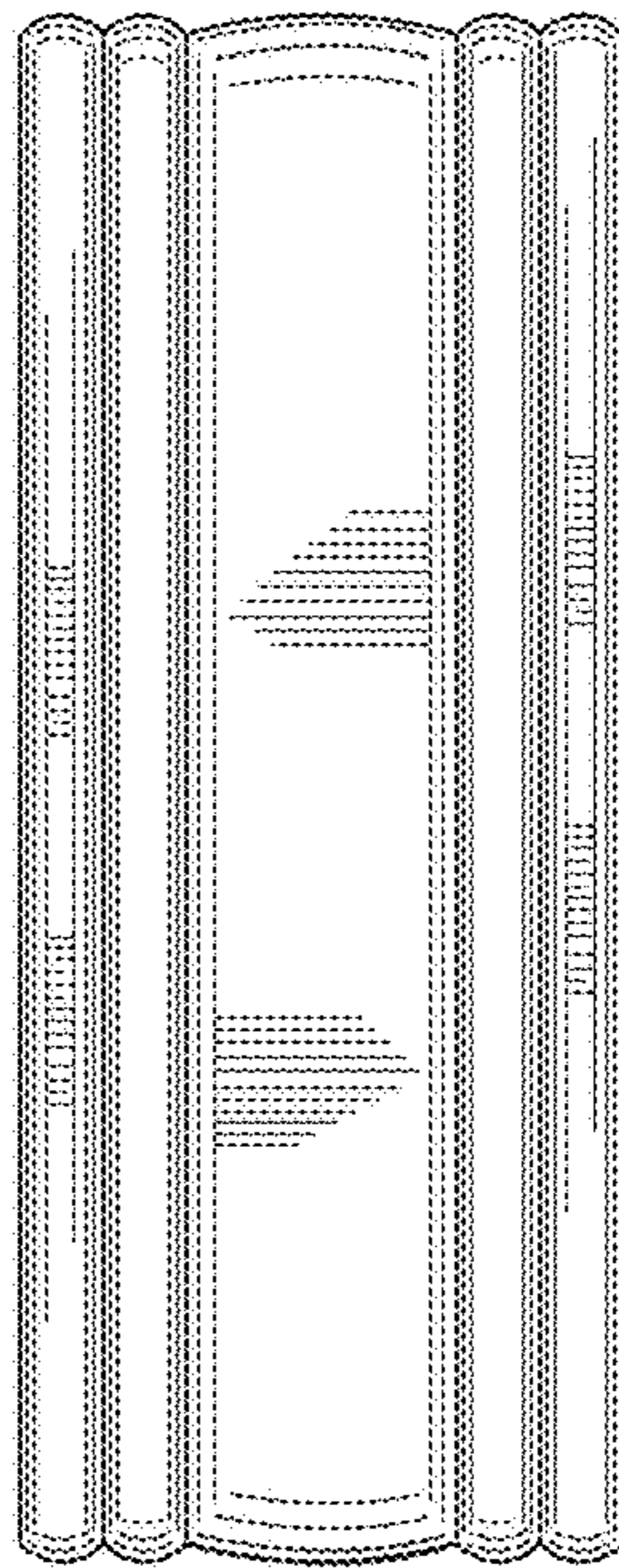


Fig. 12

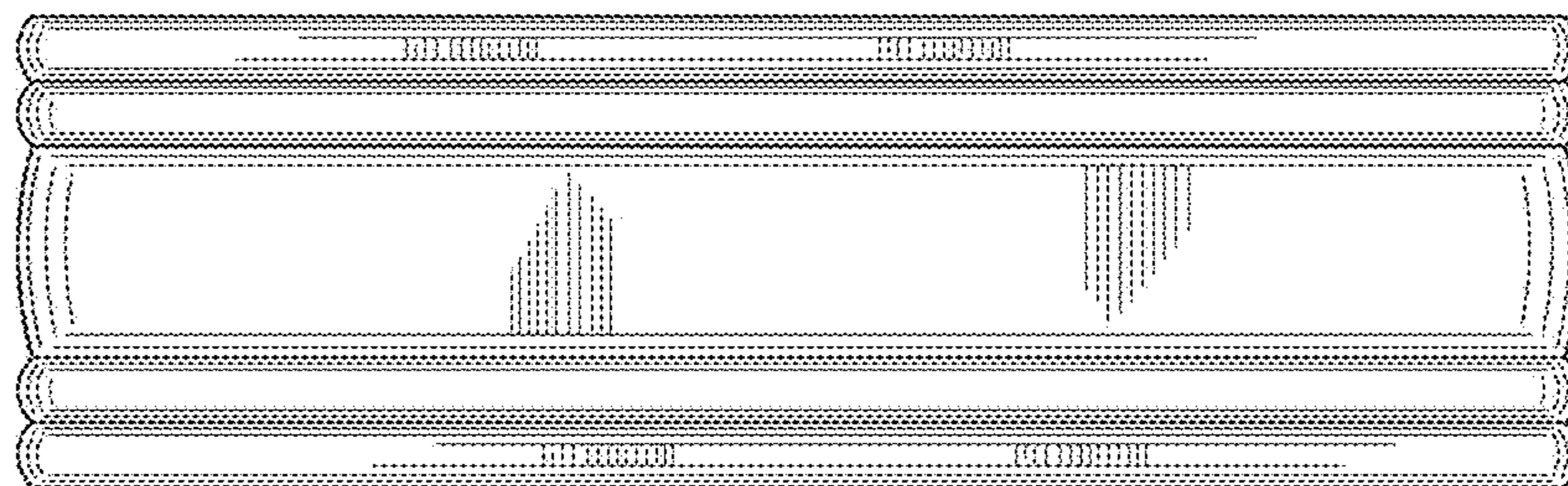


Fig. 13

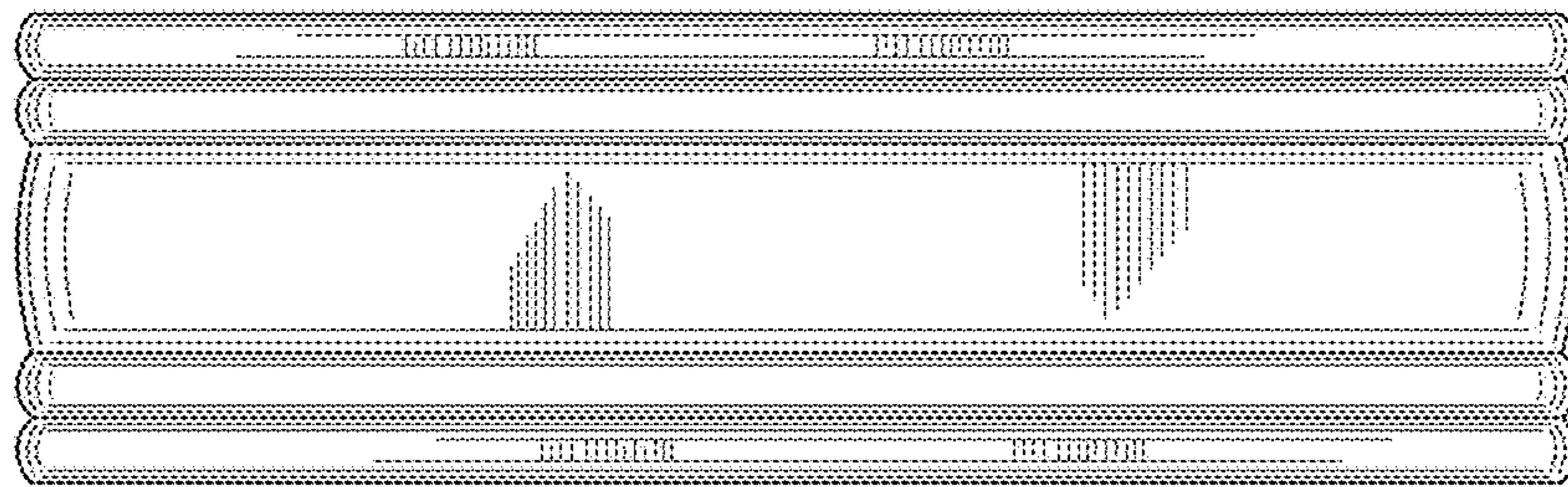


Fig. 14